



Get Inspired



Learn New Tricks



and Master the Candlelight Line

*Candlelight  
Cabinetry*

Spec Book  
& Price Guide



716-434-6543



716-434-6748



[candlelightcab.com](http://candlelightcab.com)



[extranet.candlelightcab.com](http://extranet.candlelightcab.com)

24 Michigan Street • Lockport, NY 14094





1-2TableLegWorksheet		4.19	Aventos Lift System HL	ALS-HL	5.7
1-4TableLegWorksheet		4.18	Avenue		7.15
1/2 Cup and FO Cup Hinge Specifications		3.1	Avenue Opt. 5pc Drawer		7.15
1/2" Duralux 2-sided	DURA	14.7	BR Vent		3.30
1/2" Overlay Options		7.1	BR Ventilator		13.30
1/2" Plywood	1/2"-PAN	14.7	Bar Full Height	BARFH	9.2
1/4 Diagonal Leg		3.13	Bar Harbor		7.24
1/4" Beaded Panel	BDPAN	14.7	Bar Harbor Opt. 5pc Drawer		7.24
12" Deep Utility	U	10.1	Base 1 Deep and 2 shallow	BD2S	9.7
12" Deep Wall	W	8.1	Base 1/2 Table Leg End	TLBHS	9.18
24" Deep Utility	U	10.2	Base 1/4 Table Leg End	TLBQS	9.18
24" Deep Wall	W	8.4	Base 2 Deep Drawers	B2DD	9.7
3 Doors (2 door Cab)	3DR	5.7	Base 2 Deep Drawers Rollout Top	B2DDRT	9.8
3/16" Veneer	3/16"-PAN	14.7	Base 2 Deep Utensil Canister	B2DUC	9.14
3/4 Leg		3.12	Base 2 Deep and 2 Shallow	B2D2S	9.7
3/4" Plywood	3/4"-PAN	14.7	Base 2 Drawer Top	B2DT	9.7
3/8" Partial Inset Options		7.2	Base 3 Drawer	BD_03	9.7
4 Doors (2 door Cab)	4DR	5.7	Base 3 Drawer Reverse	BDR	9.8
A-Raised Panel Arched Base	ARA	13.19	Base 4 Drawer	BD_04	9.8
A-Standard Hood	A	13.19	Base 6 Shallow	B6SD	9.8
A-Valance	A	14.1	Base Accessory Convenience	BAC	9.8
AC Applique	APL-AC	14.39	Base Angle 135	BAZ	9.12
AC-Valance	AC	14.2	Base Angle End 24"	BAE	9.17
ARV-Valance	ARV	14.3	Base Angle Triple Face	BAT	9.17
Acanthus Applique	AA	14.39	Base Angled Filler	BAF	9.22
Acanthus Large Corbel	LAC	14.40	Base BC Considerations		3.19
Acanthus Medallion	APL-VA	14.39	Base Board	BB	14.15
Acanthus Small Corbel	SAC	14.40	Base Buffet	BUF	9.13
Acanthus Vertical Onlay	APL-VAC	14.39	Base Cabinet Window Seat	BCW	9.15
Acanthus XL Corbel	XLAC	14.40	Base Corner	BC	9.10
Add Drawer	ADD	5.13	Base Corner FH	BCFH	9.11
Amherst		7.24	Base Corner Filler	BCF	9.22
Amherst Opt. 5pc Drawer		7.24	Base Corner Post Loose	LBCP	9.25
Angled Back	AB	5.17	Base Corner Post w/Return	BCP	9.25
Angled Corner Molding	ACM	14.17	Base Corner w/LS	BC_w/LS	9.10
Angled Frame	AF	5.18	Base Corner w/SOU	BC_w/SOU	9.11
Angled Panel	AP	5.18	Base Cottage Island	BCI	9.16
Angled Style	AS	5.24	Base Decorative Bin	BIN	9.15
Apple Bunn	BF-A04	14.44	Base Diagonal End	BDEB	9.17
Appliance Garage	AG	8.29	Base Diagonal End 12-1/2"	BDE	9.18
Appliance Garage Diagonal	AGD	8.30	Base Diagonal End Frame 12-1/2"	BDEF	9.18
Art Corbel	CBL-ART	14.40	Base Door and Drawer	B	9.1
Arts & Crafts	MPKG-AC	14.35	Base Easy Reach	BER	9.9
Arts & Crafts Large Corbel	LAR	14.40	Base Easy Reach Dia Drawer	BERDD	9.12
Arts & Crafts Small Corbel	SAR	14.40	Base Easy Reach Diagonal	BERD	9.10
Arts and Craft Light Bar	ACLB	14.16	Base Easy Reach Space Corner	BERSC	9.12
Asymmetrical Easy Reach	BERA	9.10	Base Easy Reach W/ Top Drawer	BERTD	9.9
Aventos Lift System HK	ALS-HK	5.7	Base End Box	BEB	9.19

Base End Panel	BEP	9.19	Bayport Opt. 5pc Drawer	7.23
Base End Panel 3/4"	BEP	9.19	Beaded Frames	7.7
Base End Shelves	BQS/BHS	9.17	Beaded Panel B09W	14.11
Base FH Utensil Canister	BFHUC	9.14	Beaded Trim Molding	BTM 14.16
Base FH Waste Basket	BWFH	9.14	Beaded Wainscoat	BW03 14.17
Base Filler Decor' Overlay		9.22	Belford	14.34
Base Filler Overlay	BFO	9.22	Beveled Arts & Crafts Light Bar	BACLB 14.24
Base Filler Spice Unit	BFSU	9.22	Boulevard	7.15
Base Fillers	BF	9.22	Boulevard Opt. 5pc Drawer	7.15
Base Full Height	BFH	9.1	Box of Doors	15.6
Base Gourmet Pantry	BGP	9.13	Bracket Corbel	CBL-BR 14.40
Base Ironing Board	BIB	9.13	Bread Lid	BL 5.13
Base Lazy Susan	LS	9.11	Brighton Aluminum	7.46
Base Lazy Susan Diagonal	LSD	9.11	Brighton Stainless	7.46
Base Lazy Susan End Panel	LS-EP	9.12	Broom Partition	BPSK 5.35
Base Microwave Cabinet	BMC	9.6	Brunswick Bunn	BF-B04 14.44
Base Mixer Cabinet	BMX	9.13	Built-In Waste Bin	BIW 5.35
Base Molding 293	293	14.22	Butcher Block in drawer	BBLOCK 5.13
Base Molding 4198	4198	14.22	Butt Doors	BTD 5.8
Base Molding 5198	5198	14.15	CF-Valance	CF 14.3
Base Molding 618	618	14.22	CV-Valance	14.3
Base Molding 623	623	14.22	Cabinet Front Only	CFO 5.25
Base Molding 635	635	14.22	Cambridge	7.21
Base Molding 9993	9993	14.22	Cambridge Opt. 5pc Drawer	7.21
Base Open Basket Cabinet	BOBC	9.15	Camden	7.25
Base Organizer Rollout	BOR	9.16	Camden Opt. 5pc Drawer	7.25
Base Outside Angle 135	BOA	9.12	Candlelight Furniture Polish	FP 15.1
Base Oven Cabinet	BOC	9.6	Candlelight Paint	Paint 15.1
Base Pantry Roll-out	BPR	9.14	Candlelight Stain	Stain 15.1
Base Peninsula Blind Corner	PBC	9.11	Canterbury	7.41
Base Pigeon Hole	BPH	9.15	Case Only	CO 5.18
Base Pigeon Hole Drawer	BPHD	9.15	Chair Rail 390A	390A 14.23
Base Pullout Spice Unit	BPSU	9.15	Chair Rail 3951	3951 14.23
Base Recycle Bin	BRB	9.13	Chair Rail 538	538 14.23
Base Shoe	BS	14.15	Chamfer Stile	CS 5.25
Base Suzy Q Lazy Susan	LSQ	9.12	Chatham Shaker	7.25
Base Table leg	BTL	5.24	Chatham Shaker Opt. 5pc Drawer	7.26
Base Top Deep Drawer	BTD	9.8	Chautauqua	7.26
Base Waste Basket	BW	9.14	Chautauqua Opt. 5pc Drawer	7.26
Base Wine Cellar	BWC	9.15	Chautauqua Wainscoat	CW03 14.27
Base X Wine Rack	BWRX	9.15	Cheasapeake	7.27
Base and Diagonal End 12"	B_DE12	9.18	Cheasapeake Opt. 5pc Drawer	7.27
Base and Diagonal End Frame 12"	B_DEF12	9.17	Circular Applique	APL-DRS 14.39
Batten	BM	14.17	Classic Arch	7.17
Batten	RTF-Batten	14.29	Classic Knee Bracket	CKB 9.23
Batten 13W		14.10	Classic Opt. 5pc Drawer	7.17
Bayport Square		7.23	Classic Square	7.17
Bayport Arch		7.23	Classical#1	MPKG-C1 14.37

Clipped Base End Box	CBEB	9.19	Crown Decorative Insert	DC	14.19
Clipped Corner	CC	5.25	Crown Decorative Small Insert	SDC	14.12
Clipped Tall End Box	CTEB	10.14	Crown Double Cove	CDC	14.19
Clipped Wall End Box	CWEB	8.26	Crown Large	CL	14.12
Cloud	BC-CLOUD	5.34	Crown Medium	CM	14.12
Club Bunn	BF-C04	14.44	Crown Mold Contemporary	CMC	14.19
Column 6"	COL	9.23	Crown Small	SCM	14.12
Combine Cabinets	COM	5.18	Crown Z	ZCL	14.20
Complete Sample Block Set	Sample	15.5	Cup Hinge Restriction Clip	Cup Hinge	15.1
Construction Method	CONST	5.19	Custom Color		6.5
Construction Sample	Sample	15.5	Custom Color Match Form		4.8
Contempo Euro Full Overlay		7.5	Custom Door Form		4.6
Contempo Paint		7.40	Custom Door Options		7.48
Corner Installation Dimensions		3.17	Custom Doors		7.47
Cottage		7.27	Custom Quote Form		4.7
Cottage Opt. 5pc Drawer		7.28	Cutlery Divider	CD	5.14
Counter Edge Ogee	CEO	14.18	Cutting Board	CB	5.13
Country Cottage	MPKG-CC	14.36	D-Decorative Panel Base	DDP	13.11
Country French Plain	CFP	14.32	D-Standard Hood	D	13.10
Cove	CV	14.17	DRA-Valance	DRA	14.2
Cove	RTF-Cove	14.29	Dealer Policies		2.4
Cove Crown	RTF-CC	14.29	Decorative Pediment	DP	10.17
Coved Edge	CVED	5.25	Decorative Pediment Finial	DPF	10.17
Crossgrain Panel	XGRAIN	14.7	Decorative Vanity Platform	DVP	11.12
Crown 1126W		14.10	Deep Range Base	DRB	9.6
Crown 115	115	14.19	Deep Range Base Worksheet		4.16
Crown 1299	1299	14.19	Designer BEP Mortise & Tenon	DBEP	9.20
Crown 1529W		14.10	Designer Base End Panel Frame	DBEPP	9.21
Crown 1797	1797	14.20	Designer Base End Panel Skin	DBEPS	9.20
Crown 2293	2293	14.21	Designer DEP Mortise & Tenon	DDEP	12.2
Crown 2298	2298	14.20	Designer Desk End Panel Frame	DDEPP	12.3
Crown 2310	2310	14.21	Designer Desk End Panel Skin	DDEPS	12.3
Crown 2325	2325	14.21	Designer End Panel Mortise & Tenon (1 of 2)		3.8
Crown 2399	2399	14.20	Designer End Panel Mortise & Tenon (2 of 2)		3.9
Crown 3099	3099	14.20	Designer TEP Mortise & Tenon	DTEP	10.12
Crown 3897	3897	14.13	Designer TEP w/ 3/4" Panel	DTEPP	10.13
Crown 4195	4195	14.20	Designer Tall End Panel Frame	DTEPP	10.13
Crown 4699	4699	14.20	Designer Tall End Panel Skin	DTEPS	10.13
Crown 48	48	14.19	Designer VEP Mortise & Tenon	DVEP	11.12
Crown 4997	4997	14.21	Designer Vanity End Panel Frame	DVEPP	11.13
Crown 51	51	14.19	Designer Vanity End Panel Skin	DVEPS	11.13
Crown 538W		14.10	Designer WEP Mortise & Tenon	DWEP	8.25
Crown 6097	6097	14.12	Designer Wall End Panel Frame	DWEPP	8.26
Crown 6497	6497	14.12	Designer Wall End Panel Skin	DWEPS	8.25
Crown 86	86	14.19	DesignerEndPanel-on-Skin		3.10
Crown ACC	ACC	14.21	DesignerEndPanel-on-frame		3.11
Crown ACCS	ACCS	14.21	Desk 2 Deep Drawer	D2DD	12.1
Crown Arts & Crafts	AC	14.13	Desk Door/Drawer	DB	12.1

Desk Double File Drawer	DDF	12.2	FB Bracket	BRK-FB	9.23
Desk Drawer	DD	12.1	FV-Valance	FV	14.2
Desk End Panel	DEP	12.2	FactInstld SquareColmn-onlay Spec		3.16
Desk File Drawer 21"D	DF	12.1	Factory Installed Spindle Onlay		3.15
Desk Full Height	DFH	12.1	Factory Installed Table Leg		3.14
Diagonal Sink Base	DSB	9.5	Farmer Sink Base	FSB	9.4
Dish Drawer Cabinet Worksheet		4.10	Farmer Sink Base Worksheet		4.17
Dishwasher Drawer 24	FP	9.6	Federal Corbel	CBL-FED	14.40
Dishwasher Drawer 27 Top	FPT	9.6	Federal Fluted Corbel	CBL-FF	14.41
Dishwasher Front Designer Panel	DWF	9.25	Finger Pull Specifications		3.21
Dishwasher Front Worksheet		4.15	Finger Pulls	FPULL	5.9
Docking Drawer	DDRW	5.14	Finish Back	FBK	5.30
Door Drawer - Loose	LD	15.2	Finish Cabinet Section	FCS	5.30
Door Price Key		7.13	Finish Stile	RevS	5.26
Double Raised Panel	DRP	5.8	Finished Bottom	FB	5.29
Double Raised Panel -2x2 Mul	DRP-PFI	5.8	Finished End	FE	5.30
Drawer Box - Loose	Drawer	15.2	Finished Interior	FI	5.31
Drawer Box Mods	MODIFY DR	5.15	Finished Toe Kick	FTK	5.32
Drawer Tracks - Loose	Tracks	15.2	Finished Top	FT	5.32
Drawer Unit	DU	8.29	Finishing Disclaimer		14.38
Drawer Unit Diagonal	DUD	8.30	Fixed drawer divider	FDD	5.14
Drawer/ROT-SB	Chase	15.2	Floating Shelves	FLS	8.31
E-Raised Panel Arched Base	ERA	13.12	Flush Beaded End	FBE	5.29
E-Standard Hood	E	13.12	Flush Beaded Wainscoat End	FBWE	5.30
EC-Valance	EC	14.2	Fluted Spindle	FM-08	14.43
Electric Charging Station	ECS	5.14	Fluting	FL	5.34
Elevated Dishwasher Cabinet	EDC	10.8	Four Sided Post	FSP	9.24
Elite Arch		7.18	Frame Joint Sample	Sample	15.4
Elite Opt. 5pc Drawer		7.18	Frame Modify	FM	5.26
Elite Square		7.18	Frame Stock 8'	FS	14.9
End Blocks	End Blocks	14.43	Frame on End - Fixed	FOE	5.19
English Country	EC	14.31	Frame on End - Message	FOE MSG	5.20
English Country Double Square	ECDS	14.32	French Country	MPKG-FC	14.36
English Estate Fluted	EEF	14.33	Frieze Mounting Plate	FMP	14.13
Enviro Baskets	BER-EVB	5.35	Frieze Plate Reversable	RFP	14.13
Essex		7.42	Frontier		7.28
Essex 9pc Drawer		7.42	Frontier Opt. 5pc Drawer		7.28
Estate Arch		7.22	Full Depth Shelf	FDS	5.19
Estate Opt. 5pc Drawer		7.22	Full Inset Options		7.6
Estate Square		7.22	Full Overlay Do's & Don'ts (1 of 4)		3.4
Euro Full Overlay Hinge Specification		3.3	Full Overlay Do's & Don'ts (2 of 4)		3.5
Euro Full Overlay Options		7.4	Full Overlay Do's & Don'ts (3 of 4)		3.6
Extend Side Back	XSB	5.23	Full Overlay Do's & Don'ts (4 of 4)		3.7
Extend Side Down	XSD	5.23	Full Overlay Options		7.3
Extend Side Up	XSU	5.24	Furniture Base & Wall Unit	FBW	12.10
Extend Stile to Floor	XSTF	5.29	Furniture Base 12" Deep	FB	12.9
Extended Stile	XS	5.28	Furniture Base 18" Deep	FB	12.9
Extended Top Rail	XTR	5.29	Furniture Base 24" Deep	FB	12.10

Furniture Corner Hutch	FCH	12.12	Hoffco Vents with Liners	HVL	13.28
Furniture Drawer Base 18" Deep	FDB	12.11	Hold Doors	HD	5.9
Furniture Drawer Base 24" Deep	FDB	12.11	Hood Corbel Options		13.1
Furniture Hutch Top	FHT	12.5	Hood Front Straight	HFS	13.5
Furniture Open Shelves 12" Deep	FOS	12.5	Hood Front Straight Arch	HFSA	13.4
Furniture Open Shelves 12" Deep	FOS	12.8	Hood Mantle Shelf	HMS	13.3
Furniture Open Shelves 18" Deep	FOS	12.6	Hood Onlay Options		13.2
Furniture Open Shelves 18" Deep	FOS	12.8	Hood Profiles Worksheet		4.20
Furniture Shelves	FS	12.6	Hood Straight	HS	13.3
Furniture Tambour	FT	12.5	Hutch Ends	HE	12.7
G-Raised Panel Arched Base	GRA	13.7	I-Standard Hood	I	13.9
G-Standard Base w/Beaded Top	GBT	13.7	I-Standard Hood w/Beaded Top	IBT	13.9
G-Standard Base w/Raised Top	GRT	13.7	Insert Dental	ID	14.14
G-Standard Hood	G	13.7	Insert Diamond & Oval	IDO	14.14
Georgia Bunn	BF-G04	14.44	Insert Egg & Dart	IED	14.14
Glideware Pullout	GLP	5.36	Insert Rope	IR	14.14
Gothic Chateau	MPKG-GC	14.36	Insert Studded	IS	14.14
Gourmet Pantries	GP	10.4	Inset Cup Hinge Specification		3.2
Gourmet Shelf Pantries	GSP	10.4	Inset Door Data Sheet		7.8
Gourmet Wood Hood	GH	13.5	Integrated Designer Panel	IDP	5.20
Grape Applique	GA	14.39	Island Cap	IC	9.26
Grape Applique	APL-G	14.39	Island Cap Pilaster	ICPP	9.26
Grape Corbel	CBL-GR	14.41	Island Cap Pilaster X		9.26
Grape Large Corbel	LGC	14.41	Island Cap Table Leg	ICTL	9.26
Grape Small Corbel	SGC	14.41	JCO / Replacement Time Chart (1 of 2)		4.2
Grape Small Ornament	SGO	14.39	JCO / Replacement Time Chart (2 of 2)		4.3
Gray Paint Fandex		15.5	Jefferson		7.38
Greco-Roman Fluted	GRF	14.30	Jefferson Opt. 5pc Drawer		7.38
Greco-Roman Plain	GRP	14.30	Keyboard Drawer	KBD	12.2
Greco-Roman Rope	GRR	14.31	Kitchen Order Form		4.1
Greenwich		7.29	Knee Brackets	KB	9.23
Greenwich 5pc Drawer		7.29	Knife Block	KNB	5.15
Grotto Arch Wood Hood	GROTTO ARCH	13.23	L-Standard Hood	L	13.20
Grotto Wood Hood Unit	GROTTO	13.23	LaVelle		7.18
H Light Bar	HLB	14.16	LaVelle Opt. 5pc Drawer		7.19
H-Arched Valance	HRA	13.26	Lazy Susan Drawer System	BER-LSDS	5.35
H-Standard Hood	H	13.26	Lazy Susan Spinner Sample	Sample	15.5
H2	H2	13.27	Leaf Corbel	CBL-NH	14.41
H2-RA	H2RA	13.26	Leaf XL Corbel	XLLC	14.40
HV Vent Specifications		3.31	Lenox		7.38
Harmony		7.45	Lenox Opt. 5pc Drawer		7.38
Harmony Batten	HBM	14.28	Lid Stay	HTOP	5.9
Harmony Scribe	HSM	14.28	Light Bar	LBM	14.23
Hawthorne		7.29	Light Bar Contemporary	LBC	14.23
Hawthorne Opt. 5pc Drawer		7.30	Light House		7.42
Heel	w/Heel	5.34	Light Rail	LR	14.16
Hinge - Loose	Hinge	15.1	Light Rail Canterbury	CLR	14.23
Hoffco Ventilators	HV	13.28	Light Rail Contemporary	CLB	14.23



Linea Corbel	CBL-LIN	14.41	Near Flush Finished End	FFE	5.31
Literature	LIT	15.8	New Bracket Corbel	CBL-NBR	14.40
Locker Cabinet	LC	10.8	Niagara		7.32
Looking Glass		7.41	Niagara 5pc Drawer		7.32
Loose Interior Shelf	Shelf	15.1	No Toe	DTK	5.32
Lumber Edge	LE	5.20	Nottingham Arch		7.20
M-Double Panel Front	MDP	13.14	Nottingham Opt. 5pc Drawer		7.20
M-Double Panel Keystone	MDK	13.15	Nottingham Square		7.20
M-Four Panel Front w/Shelf	MS	13.13	O-Standard Hood	O	13.21
M-Four Panel w/o Shelf	M	13.13	Odd Overlay	OO	5.12
MSQ-Two Panel Front w/ Shelf	Q	13.14	Opus		7.43
Madison		7.30	Order Procedures		2.2
Madison Opt. 5pc Drawer		7.30	Outlet / Switch Display Board	Sample	15.4
Manchester		7.31	Outside Corner	OCM	14.17
Manchester Opt. 5pc Drawer		7.31	Outside Corner	RTF-OCM	14.29
Marketing Goodies	Marketing	15.7	Oven Cabinet Double	OCD	10.7
Matching Toe Kick	MTK	14.15	Oven Cabinet Single	OCS	10.6
Medicine Cabinet	MC	11.8	Oven Cabinet Specifications		3.23
Medicine Cabinet 18	MC18	11.9	Oven Cabinet Worksheet		4.11
Mericana		7.42	Oven Cutout	OCC	5.20
Mericana Opt. 5pc Drawer		7.43	Oxford		7.33
Micro Cutout	BMCC	5.24	Oxford Opt. 5pc Drawer		7.33
Mini Knee Bracket	MKB	9.23	P Standard Hood		13.22
Mirror Frames	MF	11.14	P with Batten		13.22
Mirror Mold	MM	11.14	PBL Vent		3.28
Mission		7.31	PML Vent		3.27
Mission Opt. 5pc Drawer		7.32	PML/PBL Vent Install		3.29
Mission Taper Post	MTP	14.33	PN Corbel	CBL-PN	14.42
Modern Elegance		7.37	Paint Upcharges		6.4
Modern Elegance Sample Box	Sample	15.5	Painted Finish Consideration (1 of 2)		4.25
Modification List		5.1	Painted Finish Consideration (2 of 2)		4.26
Morris Column Post	MCP	14.34	Pantry Drawer Cabinets	PD	10.4
Mullion A	MUL-A	5.10	Paragon		7.41
Mullion AC	MUL-AC	5.10	Partition	PAR	5.21
Mullion Arched	MUL-ARCH	5.10	Peg Door Specifications		3.22
Mullion Bungalow	MUL-BUNG	5.10	Peg Organizer	PO	5.16
Mullion Diamond	MUL-DIA	5.10	Pegs - Square	PEGS	5.12
Mullion Door	MUL	5.9	Pen Base Corner Post w/Return	PBCP	9.25
Mullion Double Arch	MUL-CDAR	5.10	Peninsula Base	PB	9.2
Mullion Eclipse	MUL-ECL	5.11	Peninsula Base End Box	PBEB	9.19
Mullion Qtr Circle	MUL-QC	5.11	Peninsula Cabinet	Penn	5.26
Mullion Swag	MUL-SWAG	5.11	Peninsula Wall	PW	8.5
Mullion Tangent	MUL-TAN	5.11	Personnel Directory		2.1
Mullion X	MUL-X	5.11	Pigeon Hole Cubbies Unit	PHC	8.30
MullionChart		3.20	Pigeon Hole Organizer Unit	PH	8.30
N-Raised Panel Arched Base		13.16	Pilaster Post	PP	14.33
N-Standard Hood		13.16	Pipe Chase Cutout	PCC	5.21
Narrow Leaf Corbel	CBL-NA	14.41	Pipe Chase Drawer	PCD	5.16

Plain Spindle	PS-08	14.43	Sample Door In-Stock	Sample	15.4
Planning Drawer	PD	12.2	Sample Door Non-Stock	Sample	15.4
Plymouth		7.43	Sample Door Order Form		4.23
Plymouth 9pc Drawer		7.44	Sample Door Order Form-NON-stock		4.24
Pocket Doors	PDR	5.12	Sample Drawer Box w/Cut-out	Sample	15.4
Portland		7.16	Sample Mini Base Cabinet	Sample	15.4
Portland Opt. 5pc Drawer		7.16	Scribe	RTF-Scribe	14.29
Prairie	MPKG-PR	14.35	Scribe 14W		14.10
Prep For Bunn Foot	PREPBF	5.33	Scribe 1809W		14.10
Prep For Insert	PFI	5.13	Scribe Large	SML	14.18
Price Guide		7.9	Scribe Small	SM	14.18
Primitive		7.33	Selection Center	Sample	15.4
Primitive Opt. 5pc Drawer		7.34	Serenity		7.40
Professional Baffle Liners	PBL	13.29	Serenity-MDF		7.40
Professional Mesh Liners	PML	13.29	Settler	MPKG-SE	14.36
Provincial Corbel	CBL-PR	14.42	Shaker		7.35
Queen Ann	MPKG-QA	14.35	Shaker Coved Light Bar	SCLB	14.23
Quick Quote Form		4.5	Shaker Opt. 5pc Drawer		7.35
RA-Valance	RA	14.1	Shell Applique	APL-SA	14.39
RTF 1/8" Panel		14.8	Shelves	OS	5.21
RTF Gloss Cleaning Kit	RTF-Care	15.3	Shelves	OSH	5.21
RTF Molding Chain		15.5	Ship Lap		14.17
Recessed Diagonal Sink Base	RDSB	9.5	Ship Toe Loose	STL	5.33
Reduce or Increase Cab	REDUCE	5.22	Shoe	RTF-Shoe	14.29
Reeded Spindle	RM-08	14.43	Showcase		7.45
Refrigerator Cabinets	RC	10.8	Simple Bracket	SBKT	9.23
Refrigerator Designer Panels	RFDP	10.9	Sink Base	SB	9.4
Refrigerator Designer Panels Door Only		4.13	Sink Base Angled	SBA	9.5
Refrigerator Designer Panels Framed		4.12	Sink Base Reverse	SBR	9.4
Refrigerator Designer Panels Overlay		4.14	Sink Front	SF	9.5
Replacement Form		4.4	Sink Front Diagonal	SFD	9.6
Return Form		4.9	Small Light Bar	SLBM	14.16
Rev-A-Shelf	RS	15.2	Snack Bar End Post	SEP	9.25
Reverse A Rack	RR	5.36	Socialite		7.35
Richmond		7.44	Socialite Opt. 5pc Drawer		7.36
Riverwalk		7.34	Soffit Trim Board	STB	14.29
Riverwalk Opt. 5pc Drawer		7.34	Solid Blind	SBlind	5.26
Rochelle Corner Foot	RF-C04	14.45	Solid Dust Cover	SDC	5.22
Rochelle Feet	RF-P04	14.45	Solid Stock 3"	SS03	14.9
Rollout Shelf	ROS	5.37	Solid Stock 6"	SS06	14.9
Rollout Tray	ROT	5.38	Solid Stock 9"	SS09	14.9
Rollout Tray Divider	ROT-TD	5.38	Spice Drawer Insert	SD	5.16
Rope Spindle	RPS-08	14.43	Spice Rack	SR	5.36
S-Raised Panel Arched Base	SRA	13.17	Spindle	Spindle A	14.43
S-Standard	S	13.17	Spindle Onlays	SPO	5.27
STR-Valance	STR	14.1	Square Apple Bunn	BF-SA04	14.44
Sample Block1 (1 of 2)		4.21	Square Column Onlay	SCO	5.27
Sample Block1 (2 of 2)		4.22	Square Column Onlay Parts	SCO	14.43

Square Column Post	SCP	14.33	Touch-up Kit	TUK	15.1
Square Post	SQP	14.33	Towel Bar	PTB	5.36
Square Tulip Bunn	BF-STU04	14.44	Towel Bar Shelf	TBS	11.12
Stemglass Holder	SGH	8.29	Traditional Corbel	CBL-TR	14.42
Stock Molding Box	Sample	15.5	Traditional Cove Crown	MLD-BT3	14.20
Stockholm		7.45	Traditional Small Scroll Corbel	SSC	14.41
Stockholm Batten	SBM	14.28	Transom Wall	TW	8.13
Stockholm Scribe	SSM	14.28	Transom Wall Corner	TWC	8.11
Straight Toe Kick	STK	5.33	Transom Wall Diagonal	TWD	8.8
SubZero Refrigerator Panels	RFDP	10.9	Tray Divider	TD	5.37
Subzero Integrated Spec Sheet		3.25	Tri-View Mirror	TV	11.9
Subzero Overlay Panel Sheet		3.24	Trim 105	105	14.25
T-Raised Panel Arched Base	TRA	13.8	Trim 108	108	14.25
T-Standard Base w/Beaded Top	TBT	13.8	Trim 133	133	14.25
T-Standard Hood	T	13.8	Trim 158	158	14.25
TB Corbel	CBL-TB	14.42	Trim 186	186	14.25
TOE Valance 5198	ToeV-5198	14.4	Trim 1899	1899	14.26
TV Light Fixture Mod	LFM	11.9	Trim 2317	2317	14.27
TV-Valance		14.3	Trim 2997	2997	14.26
Tall Angled End Cabinet	TAE	10.10	Trim 316	316	14.25
Tall Corner Post Loose	LTCP	10.17	Trim 320	320	14.25
Tall Corner Post w/ Return	TCP	10.17	Trim 330S	330S	14.25
Tall End Box	TEB	10.14	Trim 3495	3495	14.26
Tall End Panel 3/4"	TEP	10.11	Trim 3497	3497	14.26
Tall End Panel w/ Stile	TEP	10.11	Trim 351	351	14.25
Tall Filler Overlay	TFO	10.16	Trim 3698	3698	14.26
Tall Fillers	TF	10.16	Trim 4299	4299	14.26
Tall Open Shelf Units	TOSU	10.10	Trim 444	444	14.26
Tall Open Shelf Units w/SQH	TOSU	10.10	Trim 550	550	14.26
Tall Pullout Pantry Unit	TPU	10.5	Trim 5597	5597	14.26
Tambour Unit 18-1/2	TU	8.29	Trim 5795	5795	14.27
Tambour Unit Diagonal 18-1/2	TUD	8.30	Trim 7195	7195	14.27
Tambour Wall	WT	8.14	Trim 977	977	14.26
Taper Bunn 2 side	BF-TA02	14.45	Trim Wainscote Cap	WCC	14.27
Taper Bunn 4 side	BF-TA04	14.44	Tulip Bunn	BF-TU04	14.44
Tapered 2 Sides	TP2	14.34	Under Cabinet Dec. Bracket	UCDB	8.31
Tapered 4 Sides	TP4	14.34	Under Cabinet Shelf	UCS	8.29
Thick Knee Bracket	TKB	9.23	Under Cabinet Shelf	UCCS	11.14
Thick Knee Bracket Colonial	TKBC	9.23	Universal Access	UAC	5.22
Toe Kick Drawer		3.32	Utility Tilt-out Tray	UT	5.37
Toe Kick Drawer	TKD	5.16	VC-Standard	VC	13.6
Toe Notch Panel	TNP	5.33	VCRA- Arched Base	VCRA	13.6
Toe Space	TOE	5.34	Valance Bottom Rail	VBR	5.27
Toe Valance A	ToeV-A	14.4	Valance Top Rail	VTR	5.27
Toe Valance CV	ToeV-CV	14.5	Valance as Toe	VTOE	5.23
Toe Valance FV	ToeV-FV	14.5	Valance as Toe L/R	VTOE L/R	5.23
Toe Valance RA	ToeV-RA	14.5	Vanity 2 Deep Drawer	V2DD	11.4
Toe Valance TV	ToeV-TV	14.6	Vanity Appliance Garage	VAG	11.8

Vanity Base	VB	11.1	Wall Diagonal	WD	8.7
Vanity Base Angled End	VBA	11.4	Wall Diagonal w/Drawer Unit	WDUD	8.10
Vanity Base Combo	VBC	11.2	Wall Diagonal w/Lazy Susan	WD w/LS	8.8
Vanity Base Combo w/6 Drawers	VBC	11.3	Wall Diagonal w/Single Drawer	WSD	8.9
Vanity Base Drawer	VBD	11.3	Wall Diagonal w/Tambour	WTD	8.8
Vanity Base Full Height	VBFH	11.1	Wall Drawer Unit	WDU	8.16
Vanity Combo Reverse	VBCR	11.3	Wall Easy Reach	WER	8.7
Vanity Combo Reverse 7 Drawer	VBCR	11.3	Wall End Box	WEB	8.24
Vanity Diagonal End	VDEB	11.4	Wall End Corner	WEC	8.23
Vanity Diagonal End 12-1/2"	VDE12.5	11.4	Wall End Diagonal	WED	8.22
Vanity End Panel 3/4"	VEP	11.12	Wall End Panel	WEP	8.24
Vanity End Panel Taper	VEPT	11.12	Wall End Panel 3/4"	WWEP	8.24
Vanity End Panel w/ Stile	VEP	11.12	Wall Filler Decor' Overlay		8.27
Vanity Filler Overlay	VFO	11.13	Wall Filler Overlay	WFO	8.27
Vanity Fillers	VF	11.13	Wall Fillers	WF	8.27
Vanity Hamper Tilt-Out	VHT	11.1	Wall Microwave	WMC	8.20
Vanity Linen Cabinet	VLC	11.10	Wall Microwave w/Shelf	WMS	8.20
Vanity Linen w/Hamper	VHTLC	11.11	Wall Mirror	WM	11.13
Vanity Sink	VS	11.1	Wall Mirror Topper	WMT	11.14
Vanity Sink Fronts	VSF	11.2	Wall Open Shelf	WOS	8.21
Vanity Sink Sq Post with Drawer	VSSPD	11.7	Wall Outside Angle 135	WOA	8.12
Vanity Sink Square Post	VSSP	11.7	Wall Pigeon Hole Cubbies	WPHC	8.17
Vanity Sink Tapered Post	VSTAP	11.6	Wall Pigeon Hole Drawers	WPHD	8.17
Vanity Sink Tapered Post W/ Slatted Shelf	VSTAPSS	11.7	Wall Pigeon Hole Organizer	WPH	8.18
Vanity Sink Tapered Post w/ Shelf	VSTAPS	11.6	Wall Pigeon Hole Vertical	WVPH	8.19
Vanity Sink Turned Post	VSTP	11.7	Wall Plate Rack	WPR	8.19
Vanity Sink w/2 Drawers	VS_02	11.2	Wall Pullout Spice Unit	WPSU	8.19
Vanity Sink w/3 Drawers	VS_03	11.2	Wall Single Drawer	WSD	8.15
Vanity Tambour Cabinet	VTC	11.8	Wall Spice Unit	WFSU	8.28
Vanity Utility	VUC	11.10	Wall X Wine Rack	WRX	8.20
Vanity Utility Butt	VUCB	11.11	Warranty		2.3
Vanity Wall Boutique	VWB	11.8	What Not Shelf	WNS	8.22
Vanity Wall Hung	VWH	11.5	What Not Shelf w/SQH	WNS	8.22
Vanity Wall Hung Drawer	VWHD	11.5	White Paint Fandex		15.5
W-Arched Valance w/Lower Cabine	WRA	13.25	Wide Leaf Corbel	CBL-WA	14.41
W-Solid Valance w/Lower Cabinets	W	13.24	Wide Rail	WR	5.28
WD Stile	WDS	5.28	Wide Stile	WS	5.28
Wall + Wall End Diagonal 12	W	8.23	Williamsburg	MPKG-WI	14.35
Wall Angle 135	WAZ	8.12	Window Arched Valance	WINARV	14.4
Wall Angle End	WAE	8.22	Wine Rack	WRFI	5.32
Wall Angled Filler	WAF	8.28	Wine Shelf	WS	8.29
Wall Appliance Garage	WAG	8.14	Wood Adj Cutley Divider	WACD	5.17
Wall Appliance Garage Diagonal	WAGD	8.9	Wood Adj Drawer Divider	WADD	5.17
Wall BC Considerations		3.18	Wood Combo Covers	Combo	14.46
Wall Corner	WC	8.10	Wood Cutlery Two Tier	WCTT	5.37
Wall Corner Filler	WCF	8.28	Wood Descriptions (1 of 2)		6.1
Wall Corner Post Loose	LWCP	8.30	Wood Descriptions (2 of 2)		6.2
Wall Corner Post w/ Return	WCP	8.31	Wood Duplex Covers	Duplex	14.46

Wood GFI/Rocker Covers	GFI/Rocker	14.46
Wood Hood Batten Front	WHBF	13.4
Wood Hood Considerations		3.26
Wood Hood Front	WHF	13.4
Wood K-Cup Drawer	WKCD	5.17
Wood Toggle Covers	Toggle	14.46
Wood Top to 25" Deep	WCT	12.4
Wood/Stain Upcharges		6.3

1/2" Plywood	1/2"-PAN	14.7	Base Molding 5198	5198	14.15
3/16" Veneer	3/16"-PAN	14.7	Trim 5597	5597	14.26
3/4" Plywood	3/4"-PAN	14.7	Trim 5795	5795	14.27
Trim 330S	330S	14.25	Crown 6097	6097	14.12
Chair Rail 390A	390A	14.23	Crown 6497	6497	14.12
3 Doors (2 door Cab)	3DR	5.7	Trim 7195	7195	14.27
Crown 48	48	14.19	Base Molding 9993	9993	14.22
Crown 51	51	14.19	A-Standard Hood	A	13.19
Crown 86	86	14.19	A-Valance	A	14.1
Trim 105	105	14.25	Acanthus Applique	AA	14.39
Trim 108	108	14.25	Angled Back	AB	5.17
Crown 115	115	14.19	AC-Valance	AC	14.2
Trim 133	133	14.25	Crown Arts & Crafts	AC	14.13
Trim 158	158	14.25	Crown ACC	ACC	14.21
Trim 186	186	14.25	Crown ACCS	ACCS	14.21
Base Molding 293	293	14.22	Arts and Craft Light Bar	ACLB	14.16
Trim 316	316	14.25	Angled Corner Molding	ACM	14.17
Trim 320	320	14.25	Add Drawer	ADD	5.13
Trim 351	351	14.25	Angled Frame	AF	5.18
Trim 444	444	14.26	Appliance Garage	AG	8.29
Chair Rail 538	538	14.23	Appliance Garage Diagonal	AGD	8.30
Trim 550	550	14.26	Aventos Lift System HK	ALS-HK	5.7
Base Molding 618	618	14.22	Aventos Lift System HL	ALS-HL	5.7
Base Molding 623	623	14.22	Angled Panel	AP	5.18
Base Molding 635	635	14.22	AC Applique	APL-AC	14.39
Trim 977	977	14.26	Circular Applique	APL-DRS	14.39
Crown 1299	1299	14.19	Grape Applique	APL-G	14.39
Crown 1797	1797	14.20	Shell Applique	APL-SA	14.39
Trim 1899	1899	14.26	Acanthus Medallion	APL-VA	14.39
Crown 2293	2293	14.21	Acanthus Vertical Onlay	APL-VAC	14.39
Crown 2298	2298	14.20	A-Raised Panel Arched Base	ARA	13.19
Crown 2310	2310	14.21	ARV-Valance	ARV	14.3
Trim 2317	2317	14.27	Angled Style	AS	5.24
Crown 2325	2325	14.21	Base Door and Drawer	B	9.1
Crown 2399	2399	14.20	Base 2 Deep and 2 Shallow	B2D2S	9.7
Trim 2997	2997	14.26	Base 2 Deep Drawers	B2DD	9.7
Crown 3099	3099	14.20	Base 2 Deep Drawers Rollout Top	B2DDRT	9.8
Trim 3495	3495	14.26	Base 2 Drawer Top	B2DT	9.7
Trim 3497	3497	14.26	Base 2 Deep Utensil Canister	B2DUC	9.14
Trim 3698	3698	14.26	Base 6 Shallow	B6SD	9.8
Crown 3897	3897	14.13	Base Accessory Convenience	BAC	9.8
Chair Rail 3951	3951	14.23	Beveled Arts & Crafts Light Bar	BACLB	14.24
Crown 4195	4195	14.20	Base Angle End 24"	BAE	9.17
Base Molding 4198	4198	14.22	Base Angled Filler	BAF	9.22
Trim 4299	4299	14.26	Bar Full Height	BARFH	9.2
Crown 4699	4699	14.20	Base Angle Triple Face	BAT	9.17
Crown 4997	4997	14.21	Base Angle 135	BAZ	9.12
4 Doors (2 door Cab)	4DR	5.7	Base Board	BB	14.15

Butcher Block in drawer	BBLOCK	5.13	Batten	BM	14.17
Base Corner	BC	9.10	Base Microwave Cabinet	BMC	9.6
Cloud	BC-CLOUD	5.34	Micro Cutout	BMCC	5.24
Base Corner Filler	BCF	9.22	Base Mixer Cabinet	BMX	9.13
Base Corner FH	BCFH	9.11	Base Outside Angle 135	BOA	9.12
Base Cottage Island	BCI	9.16	Base Open Basket Cabinet	BOBC	9.15
Base Corner Post w/Return	BCP	9.25	Base Oven Cabinet	BOC	9.6
Base Cabinet Window Seat	BCW	9.15	Base Organizer Rollout	BOR	9.16
Base Corner w/LS	BC_w/LS	9.10	Base Pigeon Hole	BPH	9.15
Base Corner w/SOU	BC_w/SOU	9.11	Base Pigeon Hole Drawer	BPHD	9.15
Base 1 Deep and 2 shallow	BD2S	9.7	Base Pantry Roll-out	BPR	9.14
Base Diagonal End 12-1/2"	BDE	9.18	Broom Partition	BPSK	5.35
Base Diagonal End	BDEB	9.17	Base Pullout Spice Unit	BPSU	9.15
Base Diagonal End Frame 12-1/2"	BDEF	9.18	Base End Shelves	BQS/BHS	9.17
1/4" Beaded Panel	BDPAN	14.7	Base Recycle Bin	BRB	9.13
Base 3 Drawer Reverse	BDR	9.8	FB Bracket	BRK-FB	9.23
Base 3 Drawer	BD_03	9.7	Base Shoe	BS	14.15
Base 4 Drawer	BD_04	9.8	Butt Doors	BTD	5.8
Base End Box	BEB	9.19	Base Top Deep Drawer	BTD	9.8
Base End Panel	BEP	9.19	Base Table leg	BTL	5.24
Base End Panel 3/4"	BEP	9.19	Beaded Trim Molding	BTM	14.16
Base Easy Reach	BER	9.9	Base Buffet	BUF	9.13
Enviro Baskets	BER-EVB	5.35	Base Waste Basket	BW	9.14
Lazy Susan Drawer System	BER-LSDS	5.35	Beaded Wainscoat	BW03	14.17
Asymmetrical Easy Reach	BERA	9.10	Base Wine Cellar	BWC	9.15
Base Easy Reach Diagonal	BERD	9.10	Base FH Waste Basket	BWFH	9.14
Base Easy Reach Dia Drawer	BERDD	9.12	Base X Wine Rack	BWRX	9.15
Base Easy Reach Space Corner	BERSC	9.12	Base and Diagonal End 12"	B_DE12	9.18
Base Easy Reach W/ Top Drawer	BERTD	9.9	Base and Diagonal End Frame 12"	B_DEF12	9.17
Base Fillers	BF	9.22	Cutting Board	CB	5.13
Apple Bunn	BF-A04	14.44	Clipped Base End Box	CBEB	9.19
Brunswick Bunn	BF-B04	14.44	Art Corbel	CBL-ART	14.40
Club Bunn	BF-C04	14.44	Bracket Corbel	CBL-BR	14.40
Georgia Bunn	BF-G04	14.44	Federal Corbel	CBL-FED	14.40
Square Apple Bunn	BF-SA04	14.44	Federal Fluted Corbel	CBL-FF	14.41
Square Tulip Bunn	BF-STU04	14.44	Grape Corbel	CBL-GR	14.41
Taper Bunn 2 side	BF-TA02	14.45	Linea Corbel	CBL-LIN	14.41
Taper Bunn 4 side	BF-TA04	14.44	Narrow Leaf Corbel	CBL-NA	14.41
Tulip Bunn	BF-TU04	14.44	New Bracket Corbel	CBL-NBR	14.40
Base Full Height	BFH	9.1	Leaf Corbel	CBL-NH	14.41
Base FH Utensil Canister	BFHUC	9.14	PN Corbel	CBL-PN	14.42
Base Filler Overlay	BFO	9.22	Provincial Corbel	CBL-PR	14.42
Base Filler Spice Unit	BFSU	9.22	TB Corbel	CBL-TB	14.42
Base Gourmet Pantry	BGP	9.13	Traditional Corbel	CBL-TR	14.42
Base Ironing Board	BIB	9.13	Wide Leaf Corbel	CBL-WA	14.41
Base Decorative Bin	BIN	9.15	Clipped Corner	CC	5.25
Built-In Waste Bin	BIW	5.35	Cutlery Divider	CD	5.14
Bread Lid	BL	5.13	Crown Double Cove	CDC	14.19

Counter Edge Ogee	CEO	14.18	Designer Tall End Panel Frame	DTEPF	10.13
CF-Valance	CF	14.3	Designer TEP w/ 3/4" Panel	DTEPP	10.13
Cabinet Front Only	CFO	5.25	Designer Tall End Panel Skin	DTEPS	10.13
Country French Plain	CFP	14.32	No Toe	DTK	5.32
Classic Knee Bracket	CKB	9.23	Drawer Unit	DU	8.29
Crown Large	CL	14.12	Drawer Unit Diagonal	DUD	8.30
Light Rail Contemporary	CLB	14.23	1/2" Duralux 2-sided	DURA	14.7
Light Rail Canterbury	CLR	14.23	Designer VEP Mortise & Tenon	DVEP	11.12
Crown Medium	CM	14.12	Designer Vanity End Panel Frame	DVEPF	11.13
Crown Mold Contemporary	CMC	14.19	Designer Vanity End Panel Skin	DVEPS	11.13
Case Only	CO	5.18	Decorative Vanity Platform	DVP	11.12
Column 6"	COL	9.23	Designer WEP Mortise & Tenon	DWEP	8.25
Combine Cabinets	COM	5.18	Designer Wall End Panel Frame	DWEPF	8.26
Construction Method	CONST	5.19	Designer Wall End Panel Skin	DWEPS	8.25
Chamfer Stile	CS	5.25	Dishwasher Front Designer Panel	DWF	9.25
Clipped Tall End Box	CTEB	10.14	Drawer Box - Loose	Drawer	15.2
Cove	CV	14.17	Wood Duplex Covers	Duplex	14.46
Coved Edge	CVED	5.25	E-Standard Hood	E	13.12
Chautauqua Wainscoat	CW03	14.27	EC-Valance	EC	14.2
Clipped Wall End Box	CWEB	8.26	English Country	EC	14.31
Drawer/ROT-SB	Chase	15.2	English Country Double Square	ECDS	14.32
Wood Combo Covers	Combo	14.46	Electric Charging Station	ECS	5.14
Cup Hinge Restriction Clip	Cup Hinge	15.1	Elevated Dishwasher Cabinet	EDC	10.8
D-Standard Hood	D	13.10	English Estate Fluted	EEF	14.33
Desk 2 Deep Drawer	D2DD	12.1	E-Raised Panel Arched Base	ERA	13.12
Desk Door/Drawer	DB	12.1	End Blocks	End Blocks	14.43
Designer BEP Mortise & Tenon	DBEP	9.20	Finished Bottom	FB	5.29
Designer Base End Panel Frame	DBEPF	9.21	Furniture Base 12" Deep	FB	12.9
Designer Base End Panel Skin	DBEPS	9.20	Furniture Base 18" Deep	FB	12.9
Crown Decorative Insert	DC	14.19	Furniture Base 24" Deep	FB	12.10
Desk Drawer	DD	12.1	Flush Beaded End	FBE	5.29
Designer DEP Mortise & Tenon	DDEP	12.2	Finish Back	FBK	5.30
Designer Desk End Panel Frame	DDEPF	12.3	Furniture Base & Wall Unit	FBW	12.10
Designer Desk End Panel Skin	DDEPS	12.3	Flush Beaded Wainscoat End	FBWE	5.30
Desk Double File Drawer	DDF	12.2	Furniture Corner Hutch	FCH	12.12
D-Decorative Panel Base	DDP	13.11	Finish Cabinet Section	FCS	5.30
Docking Drawer	DDRW	5.14	Furniture Drawer Base 18" Deep	FDB	12.11
Desk End Panel	DEP	12.2	Furniture Drawer Base 24" Deep	FDB	12.11
Desk File Drawer 21"D	DF	12.1	Fixed drawer divider	FDD	5.14
Desk Full Height	DFH	12.1	Full Depth Shelf	FDS	5.19
Decorative Pediment	DP	10.17	Finished End	FE	5.30
Decorative Pediment Finial	DPF	10.17	Near Flush Finished End	FFE	5.31
DRA-Valance	DRA	14.2	Furniture Hutch Top	FHT	12.5
Deep Range Base	DRB	9.6	Finished Interior	FI	5.31
Double Raised Panel	DRP	5.8	Fluting	FL	5.34
Double Raised Panel -2x2 Mul	DRP-PFI	5.8	Floating Shelves	FLS	8.31
Diagonal Sink Base	DSB	9.5	Frame Modify	FM	5.26
Designer TEP Mortise & Tenon	DTEP	10.12	Fluted Spindle	FM-08	14.43



Frieze Mounting Plate	FMP	14.13	Hoffco Ventilators	HV	13.28
Frame on End - Fixed	FOE	5.19	Hoffco Vents with Liners	HVL	13.28
Frame on End - Message	FOE MSG	5.20	Hinge - Loose	Hinge	15.1
Furniture Open Shelves 12" Deep	FOS	12.5	I-Standard Hood	I	13.9
Furniture Open Shelves 12" Deep	FOS	12.8	I-Standard Hood w/Beaded Top	IBT	13.9
Furniture Open Shelves 18" Deep	FOS	12.6	Island Cap	IC	9.26
Furniture Open Shelves 18" Deep	FOS	12.8	Island Cap Pilaster	ICPP	9.26
Dishwasher Drawer 24	FP	9.6	Island Cap Table Leg	ICTL	9.26
Candlelight Furniture Polish	FP	15.1	Insert Dental	ID	14.14
Dishwasher Drawer 27 Top	FPT	9.6	Insert Diamond & Oval	IDO	14.14
Finger Pulls	FPULL	5.9	Integrated Designer Panel	IDP	5.20
Furniture Shelves	FS	12.6	Insert Egg & Dart	IED	14.14
Frame Stock 8'	FS	14.9	Insert Rope	IR	14.14
Farmer Sink Base	FSB	9.4	Insert Studded	IS	14.14
Four Sided Post	FSP	9.24	Knee Brackets	KB	9.23
Finished Top	FT	5.32	Keyboard Drawer	KBD	12.2
Furniture Tambour	FT	12.5	Knife Block	KNB	5.15
Finished Toe Kick	FTK	5.32	L-Standard Hood	L	13.20
FV-Valance	FV	14.2	Acanthus Large Corbel	LAC	14.40
G-Standard Hood	G	13.7	Arts & Crafts Large Corbel	LAR	14.40
Grape Applique	GA	14.39	Light Bar Contemporary	LBC	14.23
G-Standard Base w/Beaded Top	GBT	13.7	Base Corner Post Loose	LBCP	9.25
Wood GFI/Rocker Covers	GFI/Rocker	14.46	Light Bar	LBM	14.23
Gourmet Wood Hood	GH	13.5	Locker Cabinet	LC	10.8
Glideware Pullout	GLP	5.36	Door Drawer - Loose	LD	15.2
Gourmet Pantries	GP	10.4	Lumber Edge	LE	5.20
G-Raised Panel Arched Base	GRA	13.7	TV Light Fixture Mod	LFM	11.9
Greco-Roman Fluted	GRF	14.30	Grape Large Corbel	LGC	14.41
Grotto Wood Hood Unit	GROTTO	13.23	Literature	LIT	15.8
Grotto Arch Wood Hood	GROTTO ARCH	13.23	Light Rail	LR	14.16
Greco-Roman Plain	GRP	14.30	Base Lazy Susan	LS	9.11
Greco-Roman Rope	GRR	14.31	Base Lazy Susan End Panel	LS-EP	9.12
G-Standard Base w/Raised Top	GRT	13.7	Base Lazy Susan Diagonal	LSD	9.11
Gourmet Shelf Pantries	GSP	10.4	Base Suzy Q Lazy Susan	LSQ	9.12
H-Standard Hood	H	13.26	Tall Corner Post Loose	LTCP	10.17
H2	H2	13.27	Wall Corner Post Loose	LWCP	8.30
H2-RA	H2RA	13.26	M-Four Panel w/o Shelf	M	13.13
Harmony Batten	HBM	14.28	Medicine Cabinet	MC	11.8
Hold Doors	HD	5.9	Medicine Cabinet 18	MC18	11.9
Hutch Ends	HE	12.7	Morris Column Post	MCP	14.34
Hood Front Straight	HFS	13.5	M-Double Panel Keystone	MDK	13.15
Hood Front Straight Arch	HFSA	13.4	M-Double Panel Front	MDP	13.14
H Light Bar	HLB	14.16	Mirror Frames	MF	11.14
Hood Mantle Shelf	HMS	13.3	Mini Knee Bracket	MKB	9.23
H-Arched Valance	HRA	13.26	Traditional Cove Crown	MLD-BT3	14.20
Hood Straight	HS	13.3	Mirror Mold	MM	11.14
Harmony Scribe	HSM	14.28	Drawer Box Mods	MODIFY DR	5.15
Lid Stay	HTOP	5.9	Arts & Crafts	MPKG-AC	14.35

Classical#1	MPKG-C1	14.37	Peg Organizer	PO	5.16
Country Cottage	MPKG-CC	14.36	Pilaster Post	PP	14.33
French Country	MPKG-FC	14.36	Prep For Bunn Foot	PREPBF	5.33
Gothic Chateau	MPKG-GC	14.36	Plain Spindle	PS-08	14.43
Prairie	MPKG-PR	14.35	Towel Bar	PTB	5.36
Queen Ann	MPKG-QA	14.35	Peninsula Wall	PW	8.5
Settler	MPKG-SE	14.36	Candlelight Paint	Paint	15.1
Williamsburg	MPKG-WI	14.35	Peninsula Cabinet	Penn	5.26
M-Four Panel Front w/Shelf	MS	13.13	MSQ-Two Panel Front w/ Shelf	Q	13.14
Matching Toe Kick	MTK	14.15	RA-Valance	RA	14.1
Mission Taper Post	MTP	14.33	Refrigerator Cabinets	RC	10.8
Mullion Door	MUL	5.9	Recessed Diagonal Sink Base	RDSB	9.5
Mullion A	MUL-A	5.10	Reduce or Increase Cab	REDUCE	5.22
Mullion AC	MUL-AC	5.10	Rochelle Corner Foot	RF-C04	14.45
Mullion Arched	MUL-ARCH	5.10	Rochelle Feet	RF-P04	14.45
Mullion Bungalow	MUL-BUNG	5.10	Refrigerator Designer Panels	RFDP	10.9
Mullion Double Arch	MUL-CDAR	5.10	SubZero Refridgerator Panels	RFDP	10.9
Mullion Diamond	MUL-DIA	5.10	Frieze Plate Reversible	RFP	14.13
Mullion Eclipse	MUL-ECL	5.11	Reeded Spindle	RM-08	14.43
Mullion Qtr Circle	MUL-QC	5.11	Rollout Shelf	ROS	5.37
Mullion Swag	MUL-SWAG	5.11	Rollout Tray	ROT	5.38
Mullion Tangent	MUL-TAN	5.11	Rollout Tray Divider	ROT-TD	5.38
Mullion X	MUL-X	5.11	Rope Spindle	RPS-08	14.43
Marketing Goodies	Marketing	15.7	Reverse A Rack	RR	5.36
O-Standard Hood	O	13.21	Rev-A-Shelf	RS	15.2
Oven Cutout	OCC	5.20	Batten	RTF-Batten	14.29
Oven Cabinet Double	OCD	10.7	Cove Crown	RTF-CC	14.29
Outside Corner	OCM	14.17	RTF Gloss Cleaning Kit	RTF-Care	15.3
Oven Cabinet Single	OCS	10.6	Cove	RTF-Cove	14.29
Odd Overlay	OO	5.12	Outside Corner	RTF-OCM	14.29
Shelves	OS	5.21	Scribe	RTF-Scribe	14.29
Shelves	OSH	5.21	Shoe	RTF-Shoe	14.29
Partition	PAR	5.21	Finish Stile	RevS	5.26
Peninsula Base	PB	9.2	S-Standard	S	13.17
Base Peninsula Blind Corner	PBC	9.11	Acanthus Small Corbel	SAC	14.40
Pen Base Corner Post w/Return	PBCP	9.25	Arts & Crafts Small Corbel	SAR	14.40
Peninsula Base End Box	PBEB	9.19	Sink Base	SB	9.4
Professional Baffle Liners	PBL	13.29	Sink Base Angled	SBA	9.5
Pipe Chase Cutout	PCC	5.21	Simple Bracket	SBKT	9.23
Pipe Chase Drawer	PCD	5.16	Stockholm Batten	SBM	14.28
Pantry Drawer Cabinets	PD	10.4	Sink Base Reverse	SBR	9.4
Planning Drawer	PD	12.2	Solid Blind	SBlind	5.26
Pocket Doors	PDR	5.12	Shaker Covered Light Bar	SCLB	14.23
Pegs - Square	PEGS	5.12	Crown Small	SCM	14.12
Prep For Insert	PFI	5.13	Square Column Onlay	SCO	5.27
Pigeon Hole Organizer Unit	PH	8.30	Square Column Onlay Parts	SCO	14.43
Pigeon Hole Cubbies Unit	PHC	8.30	Square Column Post	SCP	14.33
Professional Mesh Liners	PML	13.29	Spice Drawer Insert	SD	5.16

Solid Dust Cover	SDC	5.22	Tall Fillers	TF	10.16
Crown Decorative Small Insert	SDC	14.12	Tall Filler Overlay	TFO	10.16
Snack Bar End Post	SEP	9.25	Thick Knee Bracket	TKB	9.23
Sink Front	SF	9.5	Thick Knee Bracket Colonial	TKBC	9.23
Sink Front Diagonal	SFD	9.6	Toe Kick Drawer	TKD	5.16
Grape Small Corbel	SGC	14.41	Base 1/2 Table Leg End	TLBHS	9.18
Stemglass Holder	SGH	8.29	Base 1/4 Table Leg End	TLBQS	9.18
Grape Small Ornament	SGO	14.39	Toe Notch Panel	TNP	5.33
Small Light Bar	SLBM	14.16	Toe Space	TOE	5.34
Scribe Small	SM	14.18	Tall Open Shelf Units	TOSU	10.10
Scribe Large	SML	14.18	Tall Open Shelf Units w/SQH	TOSU	10.10
Spindle Onlays	SPO	5.27	Tapered 2 Sides	TP2	14.34
Square Post	SQP	14.33	Tapered 4 Sides	TP4	14.34
Spice Rack	SR	5.36	Tall Pullout Pantry Unit	TPU	10.5
S-Raised Panel Arched Base	SRA	13.17	T-Raised Panel Arched Base	TRA	13.8
Solid Stock 3"	SS03	14.9	Tambour Unit 18-1/2	TU	8.29
Solid Stock 6"	SS06	14.9	Tambour Unit Diagonal 18-1/2	TUD	8.30
Solid Stock 9"	SS09	14.9	Touch-up Kit	TUK	15.1
Traditional Small Scroll Corbel	SSC	14.41	Tri-View Mirror	TV	11.9
Stockholm Scribe	SSM	14.28	Transom Wall	TW	8.13
Soffit Trim Board	STB	14.29	Transom Wall Corner	TWC	8.11
Straight Toe Kick	STK	5.33	Transom Wall Diagonal	TWD	8.8
Ship Toe Loose	STL	5.33	TOE Valance 5198	ToeV-5198	14.4
STR-Valance	STR	14.1	Toe Valance A	ToeV-A	14.4
Complete Sample Block Set	Sample	15.5	Toe Valance CV	ToeV-CV	14.5
Construction Sample	Sample	15.5	Toe Valance FV	ToeV-FV	14.5
Frame Joint Sample	Sample	15.4	Toe Valance RA	ToeV-RA	14.5
Lazy Susan Spinner Sample	Sample	15.5	Toe Valance TV	ToeV-TV	14.6
Modern Elegance Sample Box	Sample	15.5	Wood Toggle Covers	Toggle	14.46
Outlet / Switch Display Board	Sample	15.4	Drawer Tracks - Loose	Tracks	15.2
Sample Door In-Stock	Sample	15.4	12" Deep Utility	U	10.1
Sample Door Non-Stock	Sample	15.4	24" Deep Utility	U	10.2
Sample Drawer Box w/Cut-out	Sample	15.4	Universal Access	UAC	5.22
Sample Mini Base Cabinet	Sample	15.4	Under Cabinet Shelf	UCCS	11.14
Selection Center	Sample	15.4	Under Cabinet Dec. Bracket	UCDB	8.31
Stock Molding Box	Sample	15.5	Under Cabinet Shelf	UCS	8.29
Loose Interior Shelf	Shelf	15.1	Utility Tilt-out Tray	UT	5.37
Spindle	Spindle A	14.43	Vanity 2 Deep Drawer	V2DD	11.4
Candlelight Stain	Stain	15.1	Vanity Appliance Garage	VAG	11.8
T-Standard Hood	T	13.8	Vanity Base	VB	11.1
Tall Angled End Cabinet	TAE	10.10	Vanity Base Angled End	VBA	11.4
Towel Bar Shelf	TBS	11.12	Vanity Base Combo	VBC	11.2
T-Standard Base w/Beaded Top	TBT	13.8	Vanity Base Combo w/6 Drawers	VBC	11.3
Tall Corner Post w/ Return	TCP	10.17	Vanity Combo Reverse	VBCR	11.3
Tray Divider	TD	5.37	Vanity Combo Reverse 7 Drawer	VBCR	11.3
Tall End Box	TEB	10.14	Vanity Base Drawer	VBD	11.3
Tall End Panel 3/4"	TEP	10.11	Vanity Base Full Height	VBFH	11.1
Tall End Panel w/ Stile	TEP	10.11	Valance Bottom Rail	VBR	5.27

VC-Standard	VC	13.6	Wall Diagonal	WD	8.7
VCRA- Arched Base	VCRA	13.6	Wall Diagonal w/Lazy Susan	WD w/LS	8.8
Vanity Diagonal End 12-1/2"	VDE12.5	11.4	WD Stile	WDS	5.28
Vanity Diagonal End	VDEB	11.4	Wall Diagonal w/Single Drawer	WSD	8.9
Vanity End Panel 3/4"	VEP	11.12	Wall Drawer Unit	WDU	8.16
Vanity End Panel w/ Stile	VEP	11.12	Wall Diagonal w/Drawer Unit	WDUD	8.10
Vanity End Panel Taper	VEPT	11.12	Wall End Box	WEB	8.24
Vanity Fillers	VF	11.13	Wall End Corner	WEC	8.23
Vanity Filler Overlay	VFO	11.13	Wall End Diagonal	WED	8.22
Vanity Hamper Tilt-Out	VHT	11.1	Wall End Panel	WEP	8.24
Vanity Linen w/Hamper	VHTLC	11.11	Wall Easy Reach	WER	8.7
Vanity Linen Cabinet	VLC	11.10	Wall Fillers	WF	8.27
Vanity Sink	VS	11.1	Wall Filler Overlay	WFO	8.27
Vanity Sink w/2 Drawers	VS_02	11.2	Wall Spice Unit	WFSU	8.28
Vanity Sink w/3 Drawers	VS_03	11.2	Wood Hood Batten Front	WHBF	13.4
Vanity Sink Fronts	VSF	11.2	Wood Hood Front	WHF	13.4
Vanity Sink Square Post	VSSP	11.7	Window Arched Valance	WINARV	14.4
Vanity Sink Sq Post with Drawer	VSSPD	11.7	Wood K-Cup Drawer	WKCD	5.17
Vanity Sink Tapered Post	VSTAP	11.6	Wall Mirror	WM	11.13
Vanity Sink Tapered Post w/ Shelf	VSTAPS	11.6	Wall Microwave	WMC	8.20
Vanity Sink Tapered Post W/ Slatted	VSTAPSS	11.7	Wall Microwave w/Shelf	WMS	8.20
Vanity Sink Turned Post	VSTP	11.7	Wall Mirror Topper	WMT	11.14
Vanity Tambour Cabinet	VTC	11.8	What Not Shelf	WNS	8.22
Valance as Toe	VTOE	5.23	What Not Shelf w/SQH	WNS	8.22
Valance as Toe L/R	VTOE L/R	5.23	Wall Outside Angle 135	WOA	8.12
Valance Top Rail	VTR	5.27	Wall Open Shelf	WOS	8.21
Vanity Utility	VUC	11.10	Wall Pigeon Hole Organizer	WPH	8.18
Vanity Utility Butt	VUCB	11.11	Wall Pigeon Hole Cubbies	WPHC	8.17
Vanity Wall Boutique	VWB	11.8	Wall Pigeon Hole Drawers	WPHD	8.17
Vanity Wall Hung	VWH	11.5	Wall Plate Rack	WPR	8.19
Vanity Wall Hung Drawer	VWHD	11.5	Wall Pullout Spice Unit	WPSU	8.19
12" Deep Wall	W	8.1	Wide Rail	WR	5.28
24" Deep Wall	W	8.4	W-Arched Valance w/Lower Cabine	WRA	13.25
Wall + Wall End Diagonal 12	W	8.23	Wine Rack	WRFI	5.32
W-Solid Valance w/Lower Cabinets	W	13.24	Wall X Wine Rack	WRX	8.20
Wood Adj Cutley Divider	WACD	5.17	Wide Stile	WS	5.28
Wood Adj Drawer Divider	WADD	5.17	Wine Shelf	WS	8.29
Wall Angle End	WAE	8.22	Wall Single Drawer	WSD	8.15
Wall Angled Filler	WAF	8.28	Tambour Wall	WT	8.14
Wall Appliance Garage	WAG	8.14	Wall Diagonal w/Tambour	WTD	8.8
Wall Appliance Garage Diagonal	WAGD	8.9	Wall Pigeon Hole Vertical	WVPH	8.19
Wall Angle 135	WAZ	8.12	Wall End Panel 3/4"	WWEP	8.24
Wall Corner	WC	8.10	Crossgrain Panel	XGRAIN	14.7
Trim Wainscote Cap	WCC	14.27	Acanthus XL Corbel	XLAC	14.40
Wall Corner Filler	WCF	8.28	Leaf XL Corbel	XLLC	14.40
Wall Corner Post w/ Return	WCP	8.31	Extended Stile	XS	5.28
Wood Top to 25" Deep	WCT	12.4	Extend Side Back	XSB	5.23
Wood Cutlery Two Tier	WCTT	5.37	Extend Side Down	XSD	5.23

Extend Stile to Floor	XSTF	5.29
Extend Side Up	XSU	5.24
Extended Top Rail	XTR	5.29
Crown Z	ZCL	14.20
Heel	w/Heel	5.34

**General Information**

Dealer Policies	2.4
Order Procedures	2.2
Personnel Directory	2.1
Warranty	2.3

# Personnel

## President

John Yakich

## Vice-President of Sales & Marketing

Robert Sanderson Jr.

## Vice-President of Operations

Paul Beiter

pbeiter@candlelightcab.com (Ext. 303)

## Customer Service/Quality Control

Tammy Gibbon

tgibbon@candlelightcab.com (Ext. 302)

*Customer Service / Shipping Schedule / Quality Control*

Lynn Trombley

ltrombley@candlelightcab.com (Ext. 308)

*Customer Service / Shipping Schedule*

## Kitchen Order Entry

Ryan Trombley

rtrombley@candlelightcab.com (Ext. 306)

*Order Entry / Order Changes*

Nathan Wright

nwright@candlelightcab.com (Ext. 307)

*Order Entry / Order Changes*

Alex Souter

asouter@candlelightcab.com (Ext. 339)

*Order Entry / Order Changes*

## National Sales & Marketing Manager

Dan Tronolone

dtronolone@candlelightcab.com (Ext.359)

*Social Media / Website*

## Job Completion and Replacement Orders

Jared Enderton

jenderton@candlelightcab.com (Ext. 309)

*Job Completion / Replacement Scheduling*

Debbie Hillman

dhillman@candlelightcab.com (Ext. 312)

*Job Completion Orders*

Jared Darker

jdarker@candlelightcab.com (Ext. 310)

*Replacement Orders*

Misty Huth

mhuth@candlelightcab.com (Ext. 324)

*Quick Ships / Sales Aids / Custom Color Requests*

## Custom Cabinet Design and Quoting

James Newton

jnewton@candlelightcab.com (Ext. 311)

*Custom Cabinet Quoting / Design & Technical Questions*

Walter Garcia

wgarcia@candlelightcab.com (Ext. 317)

*Custom Cabinet Quoting / Design & Technical Questions*

## Accounting Department

Lorie Seefeldt

lseefeldt@candlelightcab.com (Ext. 326)

*Payables*

Ann Scinta

ascinta@candlelightcab.com (Ext. 327)

*Payables / Receivables, Invoicing, Credits, Co-op*

## 20/20 Support

Mary Bull

mbull@candlelightcab.com (Ext. 321)

---

### Office hours

7:30 AM – 4:30 PM Monday – Thursday

8:00 AM – 2:30 PM Friday

### Office address (US mail only)

24 Michigan Street

Lockport, NY 14094

### Warehouse hours

7:30 AM – 5:00 PM Monday – Thursday

8:00 AM – Noon Friday

### Shipping address (UPS, FEDEX)

344 Park Avenue

Lockport, NY 14094

---

**Telephone:** (716) 434-6543 | **Fax:** (716) 434-6748

<http://extranet.candlelightcab.net> | Must register for user name and password

**Direct auto attendant:** (716) 280-0161



# Ordering Procedures

## Kitchen Order Forms:

Complete kitchen orders are accepted on Candlelight Order Forms (white, 8 ½" x 11"), Candlelight approved 20-20 Design form or from the pricing program found on the dealer extranet (<http://extranet.candlelightcab.net/>).

All orders must be faxed to (716) 434-6748, emailed to [orders@candlelightcab.com](mailto:orders@candlelightcab.com) or sent directly from the dealer extranet. **Verbal orders will not be accepted.** All information should be complete and presented in our nomenclature. Any missing information will result in extended lead times.

Kitchen orders will be acknowledged by fax or email typically within 2 working days of receiving all pertinent information. A PDF copy will also be posted on the dealer extranet.

You are allowed to make changes to the order typically up to 48 hours from the time you receive the first faxed acknowledgement. **The actual cut off date and time will be noted on the Acknowledgement Cover page.** All changes must be made in writing to ensure accurate completion of orders. Changes are not permitted after the 48-hour grace period or after a sign off acceptance of the order has been received.

## Job Completion Order Forms:

The green Job Completion Order (JCO) Form should be used when ordering additional parts for any previously ordered kitchen. There are no changes allowed to JCO orders. Any item ordered under the Code Red option in the "Job Completion Program" will receive a 20% up charge, except Quick-ship items and/or items that do not require finishing. Please see description and lead times on back of JCO form. In respect to the Code Red option, when a customer requests Code Red processing, they will be charged a 20% fee as long as the item is above \$75 Net Price. If the order is below \$75 Net, they will be charged a minimum processing fee of \$15 net. Customers are charged only one of the above-noted fees depending on the invoice amount of the JCO order.

## Replacement Order Forms/Return Authorization:

Orders for parts to replace those that were manufactured incorrectly or damaged in shipping should be sent on the Replacement Order Form. It is a Candlelight Cabinetry Company policy to bill for all items not noted as being replaced for reasons found in our written warranty. If no reasons are given for the replacement, items will be charged in full. Please specify reason for all replacements below the order. If no shipping method is specified, items will ship by a mode at Candlelight's discretion. All Replacement orders will be processed under the Code Red expedite program at no charge. Changes are not allowed on Replacement orders.

Candlelight reserves the right to request items back for rework in lieu of replacement.

## Lead Times & Shipping on JCO & Replacement Orders:

Please refer to the back of the JCO form for details on Projected Ship Date (PSD) of JCO or Replacement orders depending on the type of item being ordered.

JCO and Replacement items shipping via Pickup, Common Carrier or UPS are guaranteed to ship from our factory within the time frame designated under the appropriate Projected Ship Date (PSD) column. The Projected Ship Date (PSD) count is based on business days, beginning on the date the order is received complete before 2 PM. A JCO or Replacement received at 4:30 PM, for example, would be counted as being received the following business day.

JCO and Replacement orders specifying Candlelight Truck will ship out on the next truck going to a specified dealership. When selecting Candlelight truck as a shipping method, please be aware of your current delivery schedule. If a truck delivery is not scheduled within 4 weeks of the Projected Ship Date (PSD), Candlelight reserves the right to switch the shipping method to UPS or Common Carrier as needed. Please remember that any JCO or Replacement placed without a mode of delivery specified is by default shipped on UPS or Common Carrier as needed.

## Delivery Damage Claims:

The dealer must inspect cartons carefully upon receipt. Any visible damage must be jointly inspected with the driver and noted on the delivery receipt.

The dealer must contact Candlelight Cabinetry Customer Service within 30 days to report visible or concealed damage. Claims for damages after 30 days will be denied. A picture of the damage must be provided.

All return items must arrive with a completed return form (see page 4.9).

Warranty claims will only be accepted within 30 days of the dealer taking initial delivery from Candlelight or one of its delivery agents. After that time period, the dealer will be responsible for all replacement or repair charges.

Candlelight will not be liable for product damage caused by improper handling or installation. Our products are not warranted against expansion as a result of high moisture or humidity conditions.

## Custom Quotations:

Candlelight Cabinetry asks that all items that cannot be priced using standard modifications found in the price and specifications manual be submitted to our Custom Quotation Department. Each custom quote will be assigned a unique identification number that should be referenced when ordering the item. Ideally, all quotes will be returned to you within a 24-hour period. Occasionally certain quotes may require more time as we wait for prices from outside vendors. All requests for custom quotations should be made in writing. Please include any appropriate drawings of the item.



#### What the Warranty Covers:

Candlelight Cabinetry, Inc. warrants that any product manufactured by us and purchased from an authorized dealer will be free from defects in materials and workmanship under normal residential usage.

#### What the Warranty Does Not Cover:

Single raised panel doors less than 24" wide and 48" high are warranted against warping of no more than 1/8". Single flat panel doors and all multi-panel doors less than 24" wide and 62-1/4" high are warranted against warping of no more than 1/4". This detail applies to all doors/drawer front styles, wainscot panels and appliance panels. Any door over 24" wide and/or 48" high without a mid rail/stile is not warranted against warping.

Individual staves in solid panel doors continuously expand and contract resulting in visible lines. This is not considered a defect.

Veneered panels or doors will not match solid wood products. Veneers will absorb stain differently than solid wood. The mismatch of solid and veneers is not considered a defect.

This warranty does not cover deterioration due to normal wear and tear, and it does not cover defects that are due to the natural characteristics of wood, which may cause some variation in the appearance or finish of the product. The warranty will not apply to items subjected to misuse, negligence, modification, abuse, alteration, accident, abnormal use, extreme temperature or moisture levels, improper installation and/or handling.

**Candlelight warrants to the original purchaser our drawer tracks and door hinges to be free from defects for lifetime under normal use.**

#### Who the Warranty Covers:

This warranty covers only the original consumer/purchaser. This warranty is not transferable from the original purchaser to any subsequent homeowner or re-installation by the original purchaser to other locations.

#### What we Will and Will Not Do:

Candlelight will repair or replace, at its option, any cabinet or component which proves defective in material and/or workmanship under normal installation, use and service. This warranty is limited to defective parts replacement. Candlelight will not pay any expense incurred in the removing, transporting or reinstalling of the product. If

components are replaced, we cannot guarantee that the finish of the new component will match the finish and appearance of existing cabinetry.

#### How to Get Service:

You must contact and file a warranty claim with the dealer from whom you purchased the product.

#### Other Conditions:

Candlelight reserves the right to change design, specifications, materials, and price as conditions require and product improvements are developed. Candlelight has no obligation to incorporate such changes into previously manufactured products. Candlelight takes great care in the selection and application of materials to give your cabinetry the best finish possible. Painted front frames are primed, painted and sealed with a durable catalyzed varnish. Unfinished orders will void this warranty since we have no control over the final finish process. Any hardwood, by nature, will expand and contract with changes in temperature and humidity levels. It is recommended to climate control your house year round in order to maintain a humidity level of 40-50%. **Excessive humidity or dryness will void this warranty.** This natural tendency can cause slight but visible cracks in the front frame joints\*. Also be aware, that over time, any finished surface may be affected by exposure to sunlight, household cleaners, smoke and other substances, making it difficult to match the color of existing cabinets when replacing parts under warranty or installing additional cabinets at a later time. These occurrences are not the result of any defects in material or workmanship.

All expressed warranties and any implied warranty of merchandise for a particular purpose shall terminate when you no longer own your home. Some states do not allow limitations on how long an implied warranty lasts, hence the above limitations may not apply to you. Candlelight assumes no liability for incidental or consequential damages. Some states do not allow the exclusion or limitations of incidental or consequential damages, so the above limitation or exclusion may not apply to you. This warranty gives you specific legal rights and you may also have other rights, which vary from state to state. Commercial use or rental properties will be limited to a five year warranty.

\*Additionally, over a period of time moisture or heavy use can cause deterioration of a finish. This occurrence is not covered by warranty.

## Dealer Policies

### Delivery Agent: Last Mile Delivery

- Jobsite deliveries in the states of FL, GA, NC and SC will add 1 week to the acknowledged lead time.

### Attempted delivery or cancellation:

- When a scheduled delivery does not occur during the confirmed delivery window and is beyond the control of the delivery agent (due customer/salesperson), the full base rate applies.
- If the attempt is the fault of the delivery agent, then no charge will apply for the attempt.
- Deliveries cancelled with less than 48 hours notice will result in a charge of half the scheduled delivery fee.

### Additional stair carry:

- Deliveries, which have to be carried up a flight of stairs beyond the main/first floor, will be charged an additional fee of \$5 per cabinet. A freight elevator is considered one additional flight.
- **Boxes that are too large to fit into a doorway or freight elevator will be left in the garage or enclosed area.**

### Storage Fees:

- Storage will be covered up to the first 2 weeks. If an order is at a distribution center beyond the 2 weeks, a \$35 per week storage fee will apply.

### Additional wait time:

- If a driver attempts a delivery during the allotted window and has to wait to be unloaded for more than 30 minutes, an additional fee of \$60 per hour will be billed in 15 minute increments.
- The driver will obtain authorized signature.

### Fuel Surcharge:

- A fuel surcharge has been combined into your freight rate allowing you to determine the exact cost of your order when you generate the quote for your customers on orders shipped via Candlelight truck or distribution center. In the event that fuel costs escalate to the point where the freight rates need to be adjusted, you will be given a notice 60 days in advance so that you can accurately estimate your cabinet quotes.
- A separate fuel surcharge will apply to all Common Carrier shipments. The current fuel surcharge will be shown on your weekly lead time letter.

### Outside delivery area:

- Any delivery outside your dealership's normal delivery area (50-mile radius) will incur an additional .4% to your standard freight rate to cover the extra mileage (Ex. If your freight rate is 2.4% then your rate would be changed to 2.8% for this delivery). When shipping to a non adjacent state, please call Tammy for a quote.
- Any orders shipping to Islands or remote locations will need special consideration. Any location not serviced or accessible by a major highway will be considered an Area of Special Consideration. These areas will include but are not limited to, Martha's Vineyard, Nantucket and Block Island. Candlelight has no ability or responsibility to identify that an order placed is being shipped to an Area of Special Consideration. Arrangements will need to be made directly with the delivery agent. Therefore the arrangements and fees associated with a Ferry Service, for example, are the sole responsibility of the dealer.

### Common Carrier\*

- Candlelight reserves the right to ship orders of six or less cabinets common carrier.
- Common carrier is tailgate only.
- Cabinets or parts orders with over-size moldings (over 8") or panels (34" x 48", 12" x 96" or larger) can not be shipped UPS.
- If the order is shipped common carrier, the following fees plus the carriers current fuel surcharge apply:
  - Orders weighing less than 300 lbs. will be charged a fee of \$121
  - Orders weighing 300 lbs. or over will be billed \$186
  - Residential \$26
  - Lift gate if needed is \$56

*Average cabinet weight is about 8.5 lbs. per cubic ft.*

*\* For dealers in the states of FL, GA, IL, IN, NC and SC, see your local Rep for pricing details. Residential shipping will add one week to your delivery week.*

### Address Accuracy

Your package may be delayed or returned as undeliverable if the address you provided is not correct. Save time, avoid customer frustration and additional shipping fees by double checking the address.



## Candlelight Cabinetry Specifications

Candlelight Cabinetry reserves the right to change construction or materials without notice

### Doors

Door construction will vary with the door style selected. Doors are available in solid Cherry, Hickory, Hard Maple, Paint Grade, Red Birch, Silver Birch, Red Oak, Rustic Cherry, Walnut, Rustic Hickory, Quarter Sawn White Oak, HDF or one-piece machined MDF.

### Drawers

Drawer boxes are made of 5/8" solid birch hardwood. They are dovetailed in all four corners and machined to securely hold the 3/8" plywood bottom. The drawer sides have a 1/8" roundover to provide a durable edge.

### Drawer Tracks

Standard drawer tracks are a concealed, Blum Tandem, Full Extension undermount with standard "Blumotion" soft-close feature. A concealed carriage system provides smooth and quiet movement. Each Tandem track has soft self-closing action. All drawer slides carry a lifetime warranty and have a load rating of 100 lbs.

### Face Frames

All frames are constructed of 1-1/2" wide x 3/4" thick solid Cherry, Hickory, Hard Maple, Walnut, Paint Grade, Red Birch, Silver Birch, Red Oak or Quarter Sawn White Oak hardwood. Frames are screwed and glued together using a concealed mortise screw system (Castle).

### Shelves

Standard shelves are 3/4" thick furniture core with a banded front edge. Shelf surface is a scratch-resistant Duralux II material, same color as Natural Birch. Shelves are supported with nickel plated steel furniture shelf pins. The "All Plywood" construction option will receive 3/4" thick plywood with a natural finished Birch veneer on both sides. Long edges will be banded with Birch veneer edgebanding.

### Tops/Bottoms

Tops and bottoms will be constructed of 1/2" thick furniture core material. Both sides are laminated with our scratch-resistant Duralux II material. Tops and bottoms of our "All Plywood" construction option will be made of 1/2" thick plywood with natural finished Birch veneer on both sides.

### Sides

Sides will be 1/2" furniture core with a Duralux II surface on the inside of the cabinet. Unfinished sides have the scratch-resistant Duralux II material outside. Finished sides specified by the customer have a matching wood veneer, which is finished to match the cabinetry front. Additional charges apply, see Finished End Charges. Cabinet sides for the "All Plywood" or "Plywood Sides" construction method will consist of 1/2" thick plywood. Cabinet interiors will be a natural finished Birch veneer.

### Backs

Cabinet backs will be constructed out of one-sided 1/2" thick furniture core with a Duralux II surface on the inside of the cabinet. "All Plywood" construction will receive a 1/2" thick plywood back with a natural finished Birch veneer. Note: Exposed finished backs are not available.

### Hinges

Youngdale self-closing knife hinges are used exclusively on 3/8" overlay cabinets and are an option on 1/2" overlay cabinets.

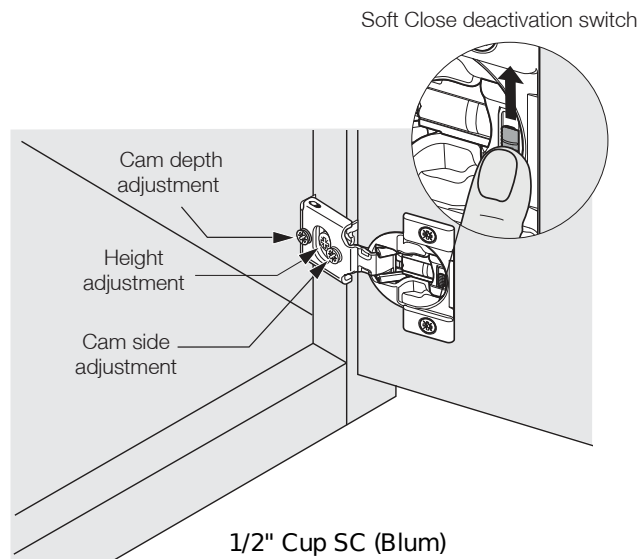
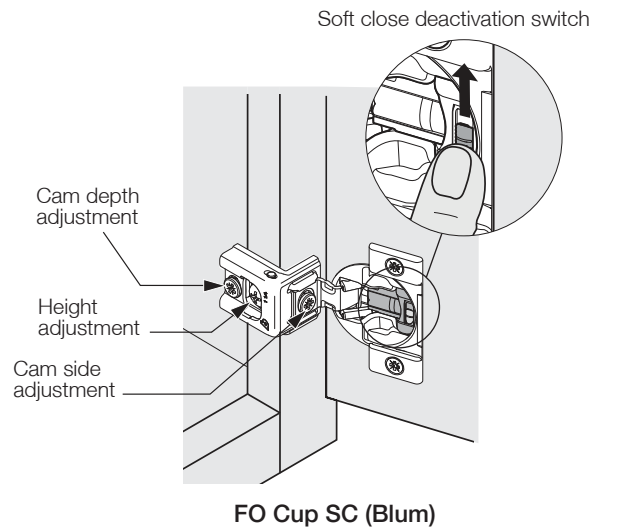
Blum concealed soft-close cup hinges are used for Full Overlay and Euro Full Overlay, and are an option on 1/2" Overlay, Inset and Beaded Inset.

Amerock exposed barrel hinges are an option on Inset and Beaded Inset cabinets. They are available with a finial tip in eight finishes. Soft-close is an option with barrel hinges. Other finishes are available on a quote basis.

1/2 Cup and FO Cup Hinge Specifications	3.1
1/4 Diagonal Leg	3.13
3/4 Leg	3.12
BR Vent	3.30
Base BC Considerations	3.19
Corner Installation Dimensions	3.17
Designer End Panel Mortise & Tenon (1 of 2)	3.8
Designer End Panel Mortise & Tenon (2 of 2)	3.9
DesignerEndPanel-on-Skin	3.10
DesignerEndPanel-on-frame	3.11
Euro Full Overlay Hinge Specification	3.3
FactInstIld SquareColmn-onlay Spec	3.16
Factory Installed Spindle Onlay	3.15
Factory Installed Table Leg	3.14
Finger Pull Specifications	3.21
Full Overlay Do's & Don'ts (1 of 4)	3.4
Full Overlay Do's & Don'ts (2 of 4)	3.5
Full Overlay Do's & Don'ts (3 of 4)	3.6
Full Overlay Do's & Don'ts (4 of 4)	3.7
HV Vent Specifications	3.31
Inset Cup Hinge Specification	3.2
MullionChart	3.20
Oven Cabinet Specifications	3.23
PBL Vent	3.28
PML Vent	3.27
PML/PBL Vent Install	3.29
Peg Door Specifications	3.22
Subzero Integrated Spec Sheet	3.25
Subzero Overlay Panel Sheet	3.24
Toe Kick Drawer	3.32
Wall BC Considerations	3.18
Wood Hood Considerations	3.26

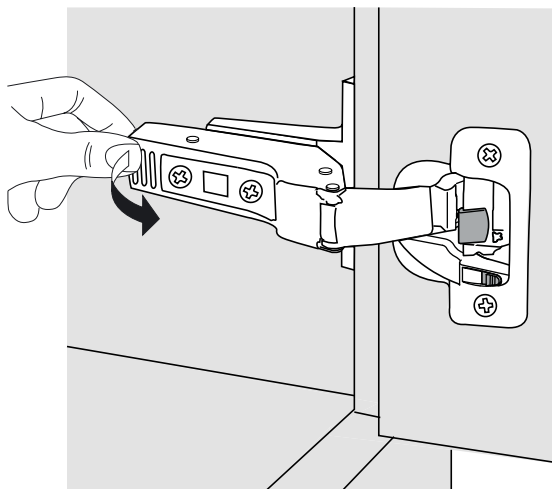
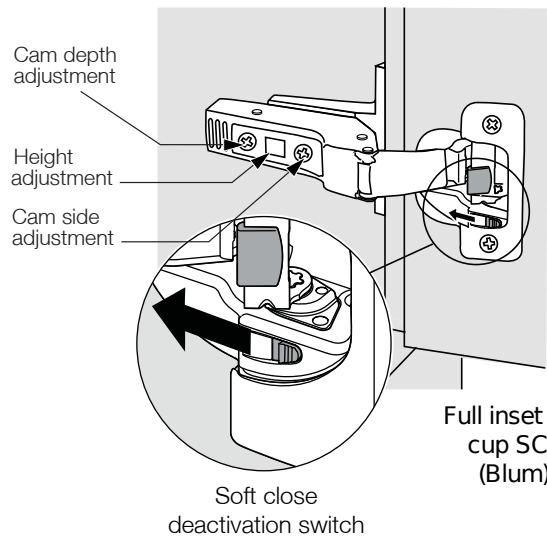
## 1/2" Cup & Full Overlay Hinge Specification

- 110° door swing (full overlay) / 105° door swing (1/2" cup).
- Angle restriction clips are available to limit swing to 86°. See "15.1"
- Soft Close is integrated
- On small or light doors, one or all of the soft close mechanisms can be deactivated by moving their switch to the off position. The door must be closed once for deactivation to be complete
- Cam adjustments are made by simply rotating the cam with a screw driver

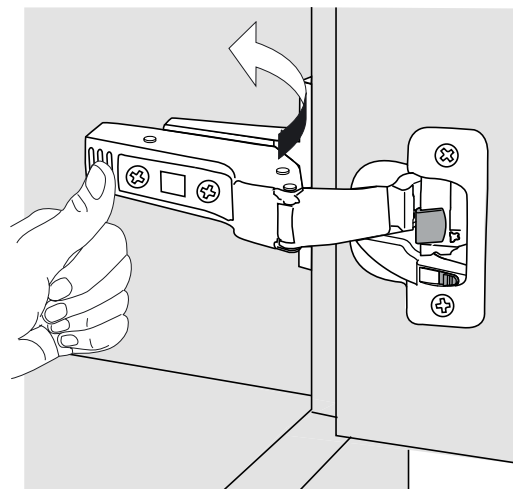


## Inset Cup Hinge Specification

- 110° door swing
- Angle restriction clips are available to limit swing to 86°. See “15.1”
- Soft Close is integrated
- On small or light doors, one or all of the soft close mechanisms can be deactivated by moving their switch to the off position. The door must be closed once for deactivation to be complete
- Cam adjustments are made by simply rotating the cam with a screw driver



Door Removal

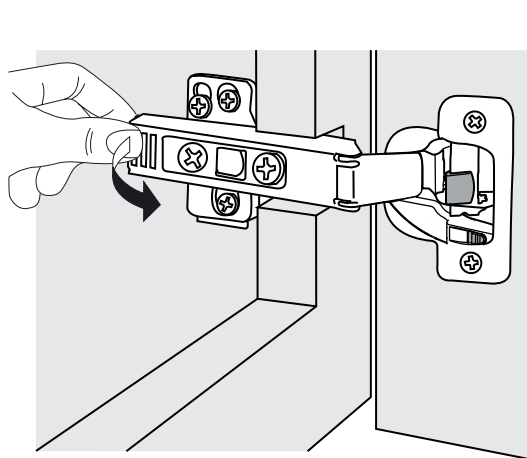
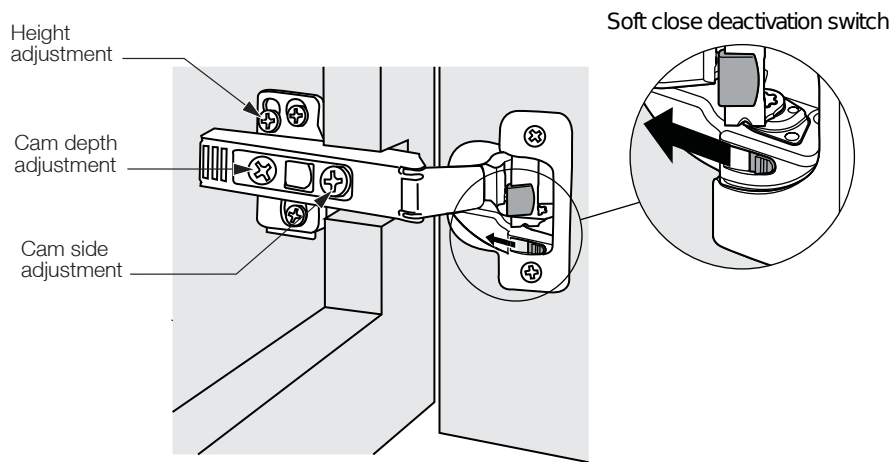


Door Reattachment

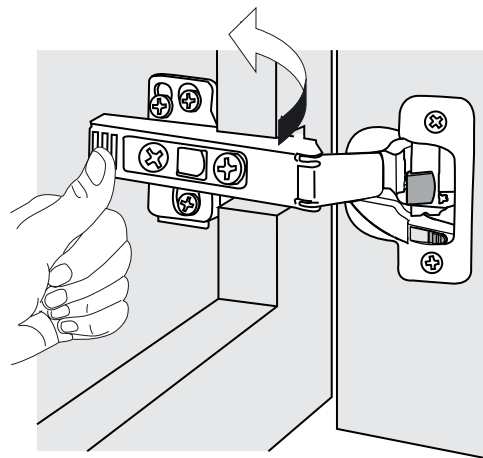


## Euro Full Overlay Hinge Specification

- 110° door swing
- Angle restriction clips are available to limit swing to 86°. See “15.1”
- Soft Close is integrated
- On small or light doors, one or all of the soft close mechanisms can be deactivated by moving their switch to the off position. The door must be closed once for deactivation to be complete
- Cam adjustments are made by simply rotating the cam with a screw driver
- Odd Overlay not required
- 1/8" reveal



Door Removal



Door Reattachment

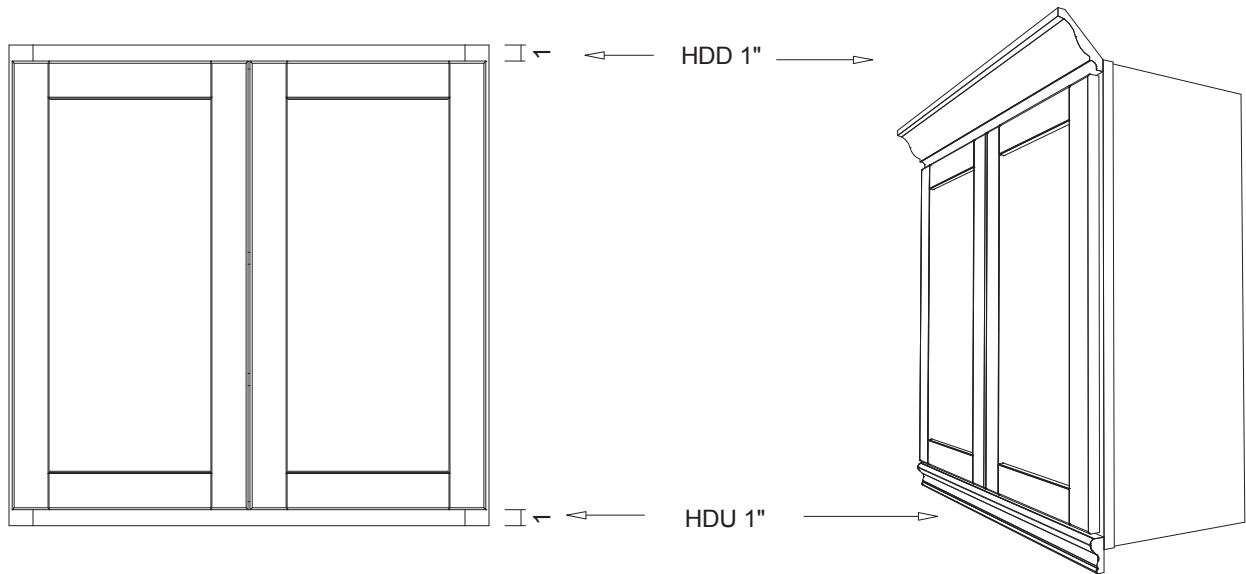
# Full Overlay Do's and Don'ts

## Modifications available for designing with Full Overlay

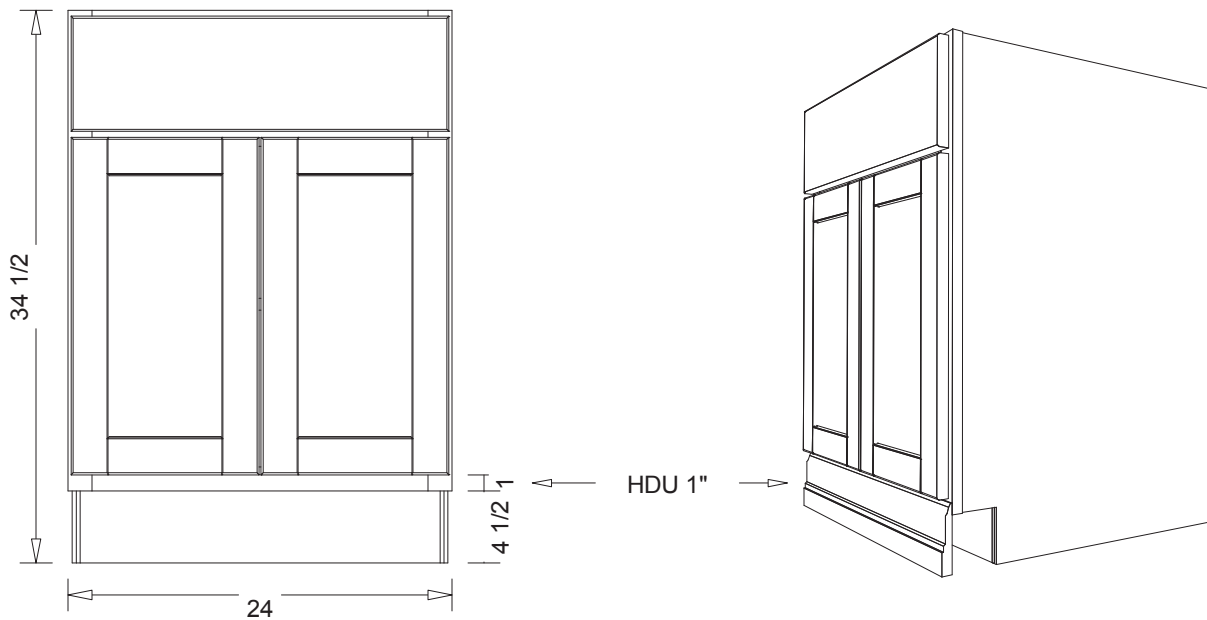
### HDD (hold doors down) and HDU (hold doors up)

Standard full overlay cabinetry has a minimal reveal top and bottom that does not allow traditional mounting of moldings. The HDD and HDU are a great modification option to mount molding in more common methods. 1" reveal is standard on both.

WALL CABINET EXAMPLE



BASE CABINET EXAMPLE



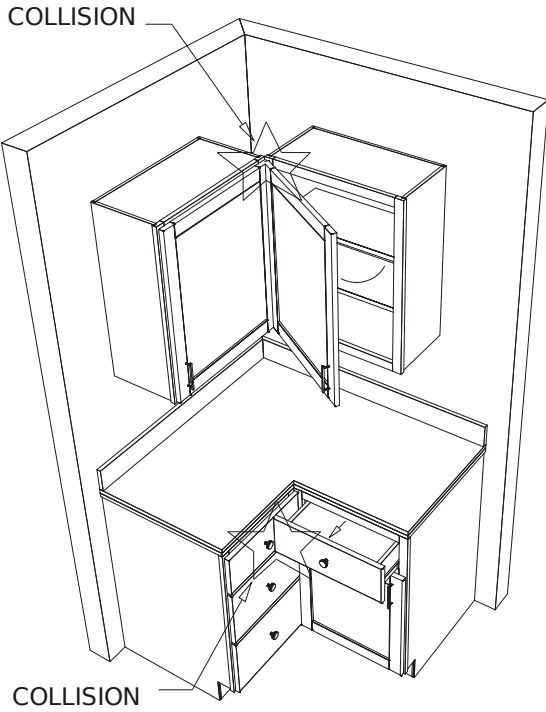
# Full Overlay Do's and Don'ts

## Modifications available for designing with Full Overlay

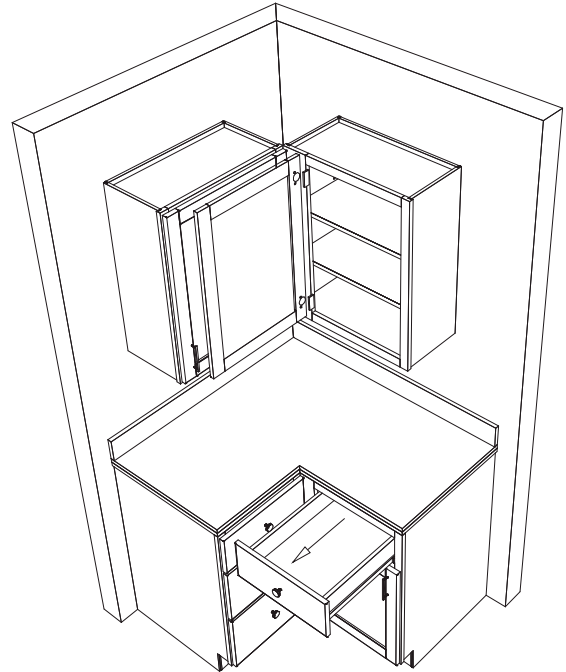
### Wide Stile and Extended Stile Modifications

Cabinets that meet in a 90 degree corner will not have sufficient clearance for proper functions of door or drawer operation to clear adjacent cabinetry doors, drawers, hardware and or Appliances, etc. Using the wide stile or extend stile modifications can be used to give you the additional clearance needed for proper functionality.

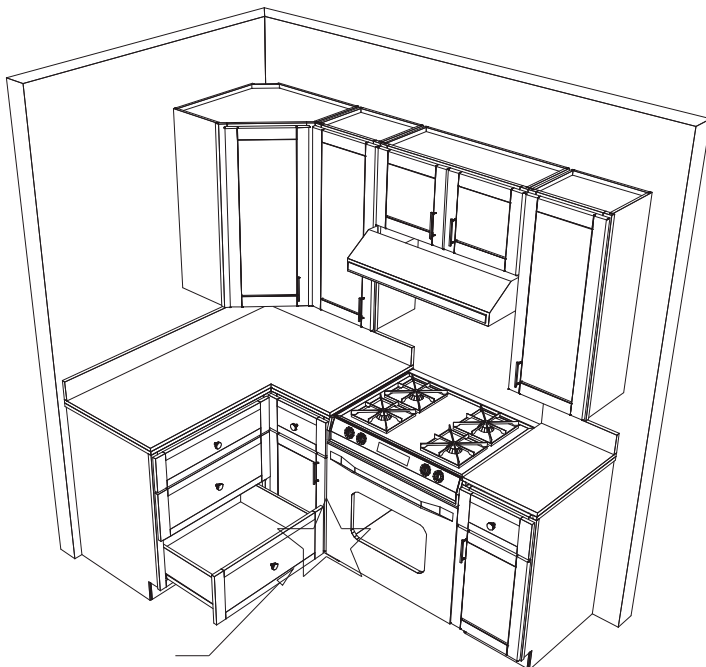
**PROBLEM**  
DOOR AND DRAWER CANNOT OPEN



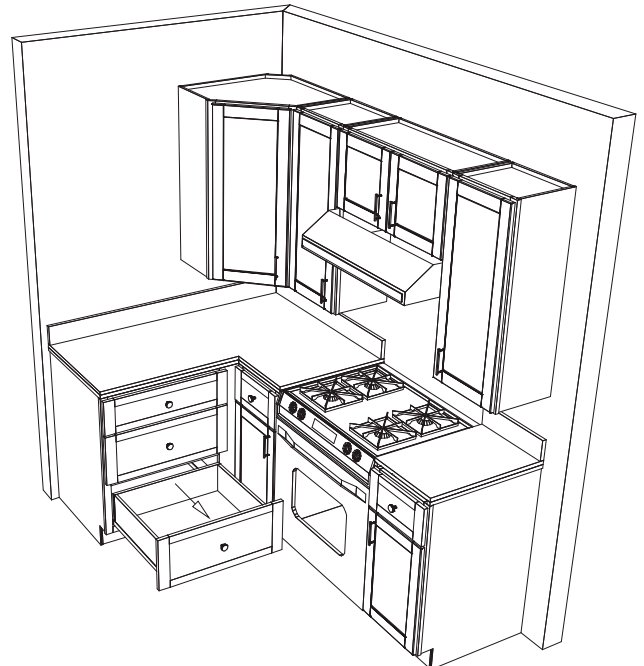
**SOLUTION**  
WIDE STILE MODIFICATION SHOWN PROVIDES ADDITIONAL CLEARANCE



**PROBLEM**  
DRAWER DOES NOT CLEAR RANGE



**SOLUTION**  
EXTENDED STILE MODIFICATION SHOWN PROVIDES ADDITIONAL CLEARANCE



# Full Overlay Do's and Don'ts

## Modifications available for designing with Full Overlay

### Odd Overlays

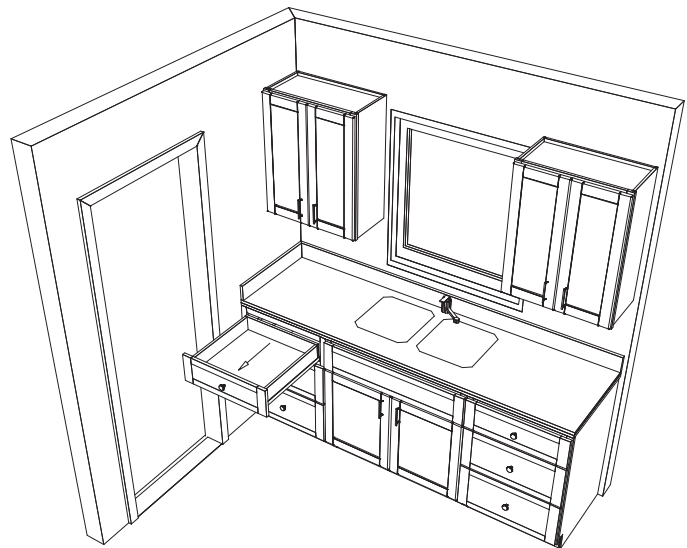
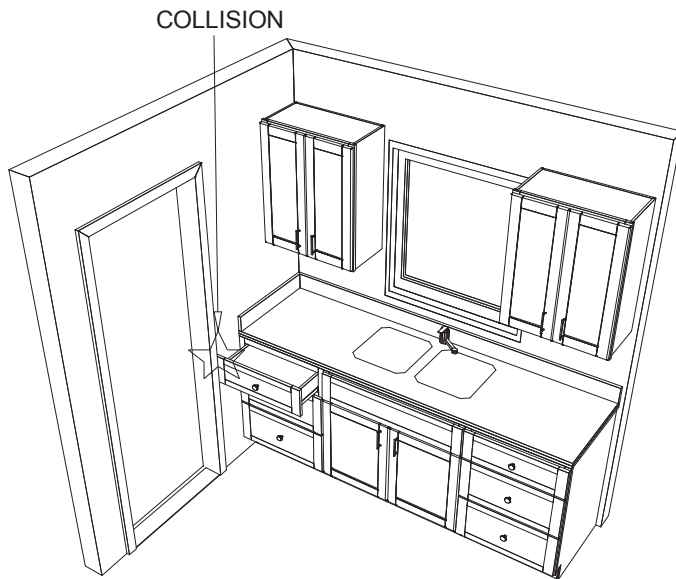
Odd Overlay can provide clearance for door or drawer operation to clear adjacent moldings or normal obstructions in cabinetry and can ensure proper functionality. Candlelight Cabinetry offers two versions, OO\_1/2in Left or Right which uses a 1/2" overlay cup hinge and has a 1" reveal. The OO\_1in Left or Right uses a 1" overlay cup hinge which has a 1/2" reveal.

#### PROBLEM

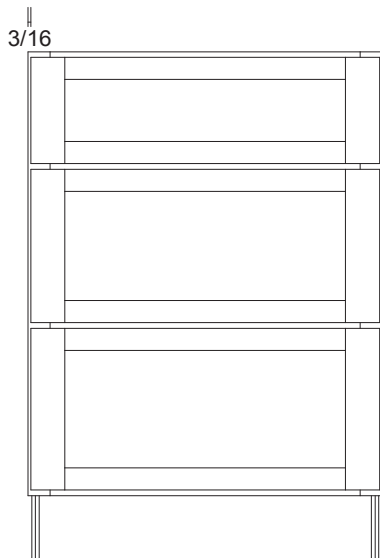
DOOR AND DRAWER CONFLICT WITH DOOR CASING

#### SOLUTION

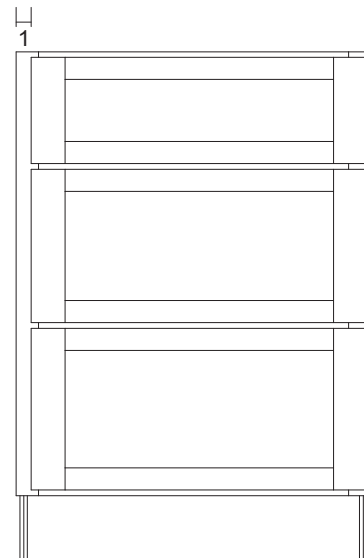
Odd Overlay (OO\_1/2in Left)



STANDARD FULL OVERLAY REVEAL  
DRAWER DOES NOT CLEAR MOLDING



OO\_1/2in Left MODIFICATION SHOWN  
PROVIDES ADDITIONAL CLEARANCE



# Full Overlay Do's and Don'ts

## Modifications available for designing with Full Overlay

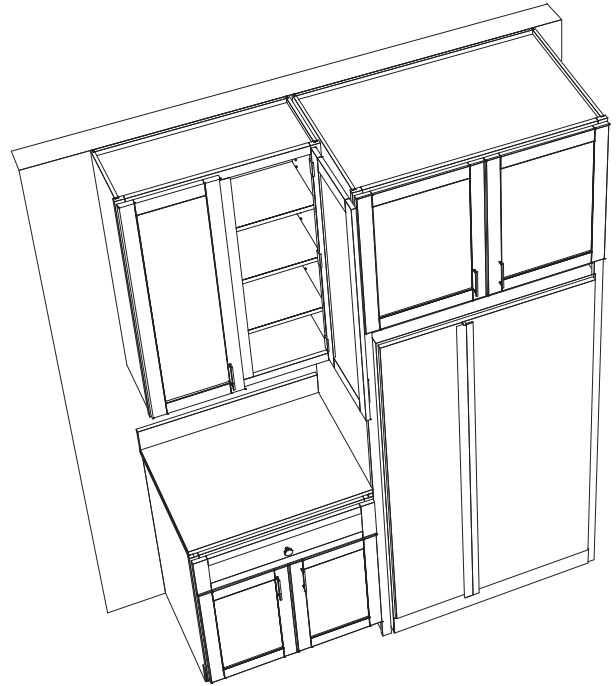
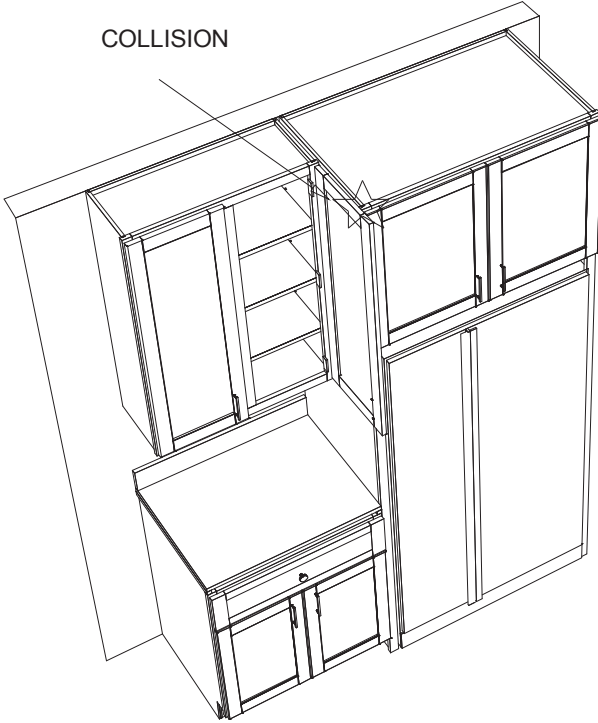
### Odd Overlays

Odd Overlay can provide clearance for door or drawer operation to clear adjacent moldings or normal obstructions in cabinetry and can ensure proper functionality. Candlelight Cabinetry offers two versions, OO\_1/2in Left or Right which uses a 1/2" overlay cup hinge and has a 1" reveal. The OO\_1in Left or Right uses a 1" overlay cup hinge which has a 1/2" reveal.

**PROBLEM**  
DOOR AND DRAWER CONFLICTS WITH DEEPER CABINET

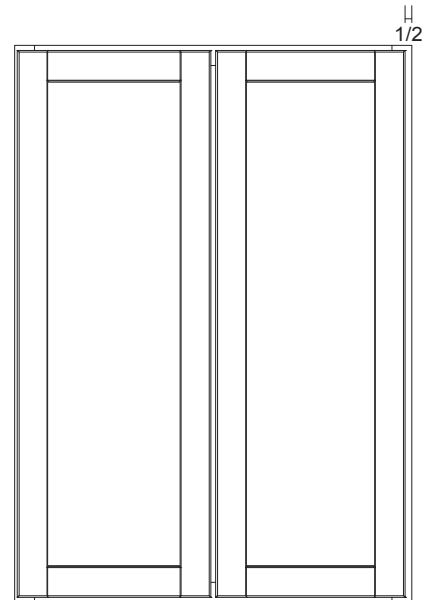
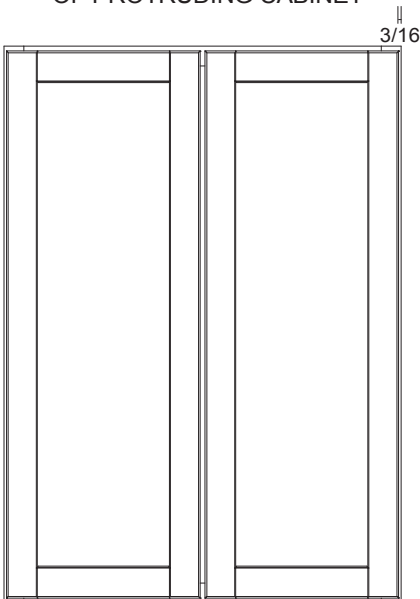
**SOLUTION**  
Odd Overlay (OO\_1in Right)

COLLISION



**STANDARD FULL OVERLAY REVEAL**  
DOORS DOES NOT CLEAR 1/4" EAR OF PROTRUDING CABINET

**OO\_1in\_RIGHT MODIFICATION SHOWN**  
PROVIDES ADDITIONAL CLEARANCE

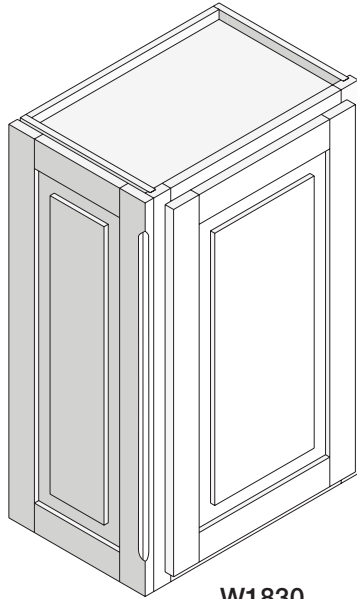


## Designer End Panels with Mortise & Tenon

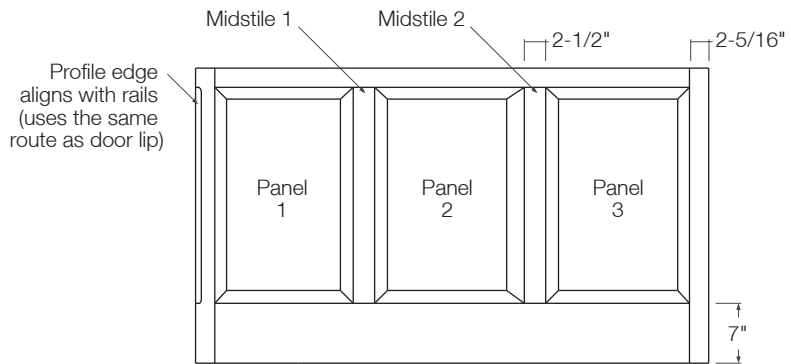
D(T, W, B, V, D)\*EP xxyy - (PER, PEL, PEN, PEB)\*\*

\* T = Tall; W = Wall; B = Base; V = Vanity; D = Desk

\*\* PER = Profile Edge Right; PEL = Profile Edge Left; PEN = Profile Edge None; PEB = Profile Edge Both



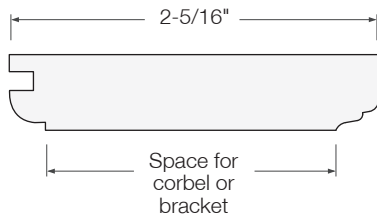
**W1830  
DWE1230-PER shown**



**Typical framing**

**Note**

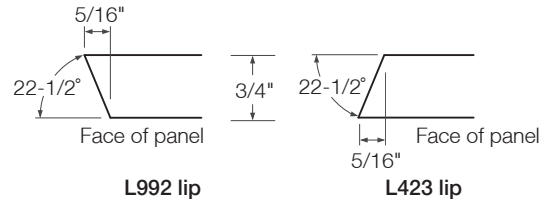
- Midstiles are numbered left to right
- Midrails are numbered top to bottom
- Panels are numbered left to right, then top to bottom
- The left & right stiles and top rail will match the frame width of the door style on the job. The midstiles will be 1/4" wider.



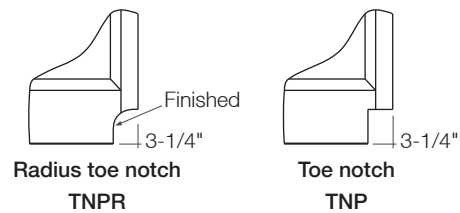
**Section of right stile**

**Note**

The framing is measured from the back of the door. The framing bead and profile edge take away from the space to mount a corbel. Please specify which stiles or midstiles receive a corbel along with the model and we will increase the width of those stiles accordingly.



**Additional edge options**

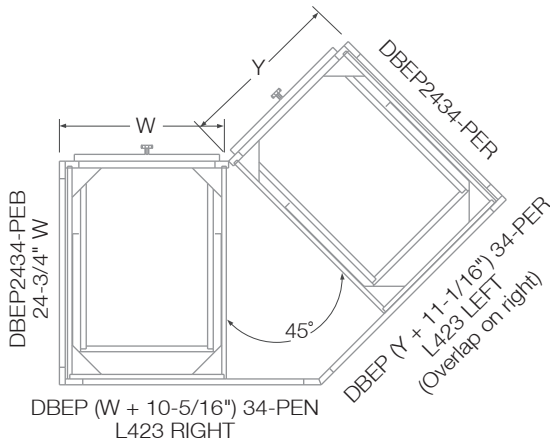


**Toe notch options**

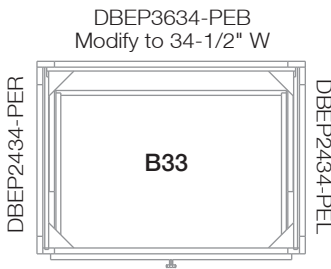
**See DEP examples on following page**



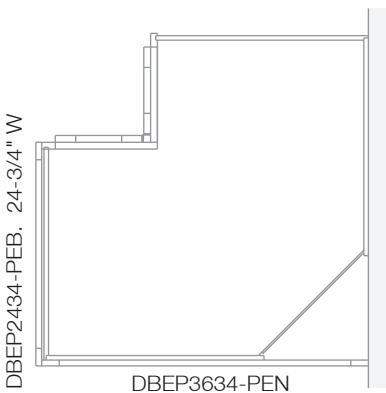
## Designer End Panel Examples



**Angled island**

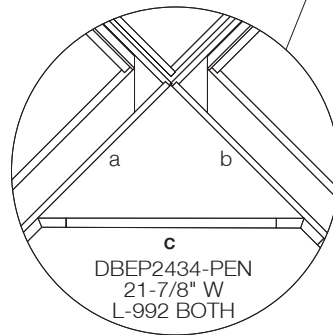
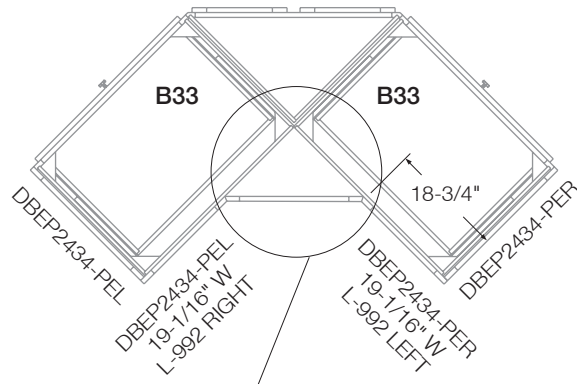


**Island**



**Penninsula**

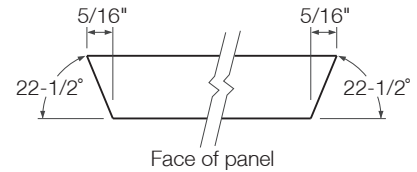
**Angled island**



### Finding length of side C

- 1)  $a^2 + b^2 = c^2$
- 2)  $c + 5/16" + 5/16" *$

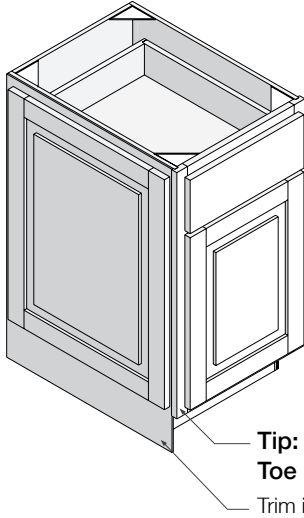
\* Must add 5/16" twice due to the added length of the L-992 profile:



### Example of finding side C with B33 shown above

- 1)  $15^2 + 15^2 = c^2$   
 $450 = c^2$   
 $21.21 = c$
- 2)  $21-1/4" + 5/16" + 5/16" = 21-7/8"$

## Designer End Panel on a Skin

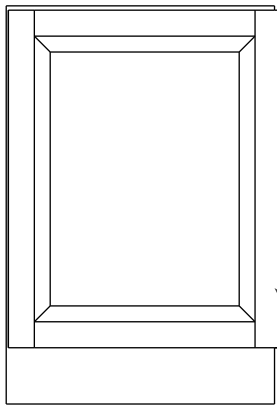


D(T, W, B, V, D)\*EPS xxxy - (SDL, SDR, CD)\*\*

- \* T = Tall
- W = Wall
- B = Base
- V = Vanity
- D = Desk
- \*\*SDL = Shift Door Left
- SDR = Shift Door Right
- CD = Center Door

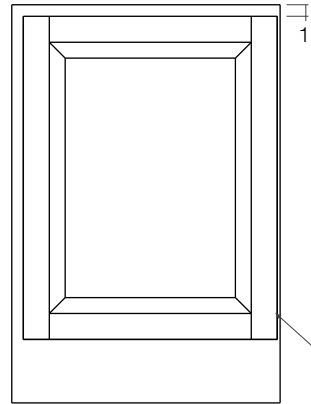
- Not available over 48" wide
- Not available in 3/8" Inset or Inset

3/16" Full overlay - SDR 3/8"



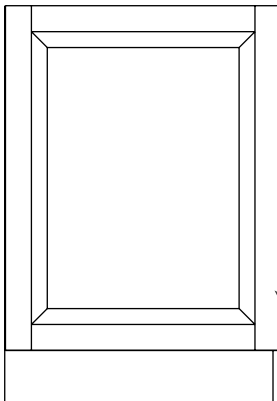
Overhang skin by 9/16"  
(3/16" of face frame is revealed when applied)

1" 1/2" overlay - SDR 1"



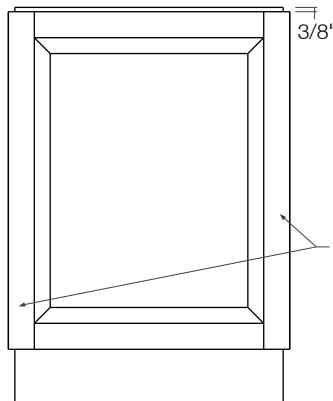
1/4" reveal  
(1" when against stile)

1/16" Euro full overlay - SDR 1/8"



Overhang skin by 11/16"

Full overlay - CD  
24-3/4" wide (nominal dimension)

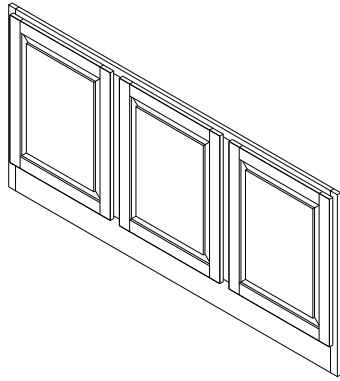


Overhang skin by 9/16"





## Designer End Panels on a Frame

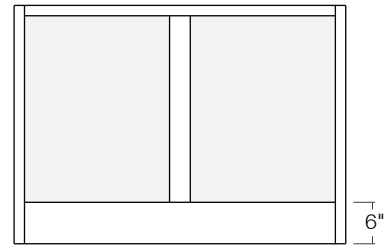


**DBEPF7234 Mortise & Tenon doors shown**  
(Available in Mitered doors as well)

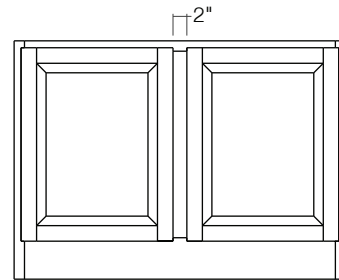
**D(T, W, B, V, D)\*EPF xxyy - FE\*\*(L, R, B)\*\*\***

- \* T = Tall
- W = Wall
- B = Base
- V = Vanity
- D = Desk
- \*\* FE = Finished Edge
- \*\*\*L = Left
- R = Right
- B = Both

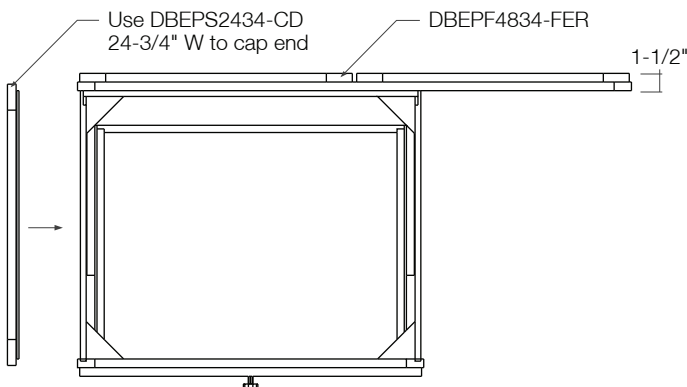
3" midstiles  
(all other stiles = 1-1/2")



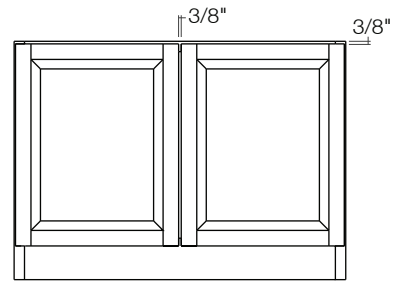
Frame drawing



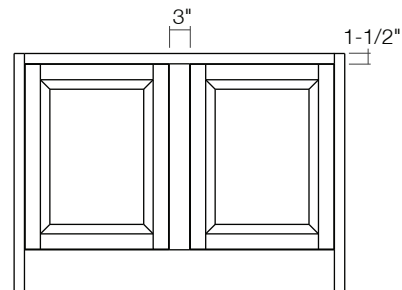
1/2" overlay example



Example application of  
B30 (plan view)

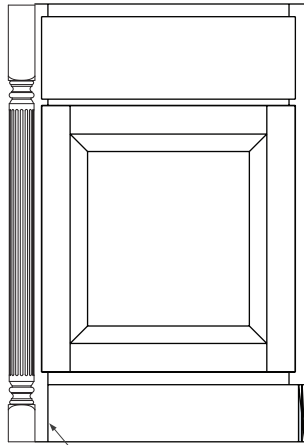


FO example

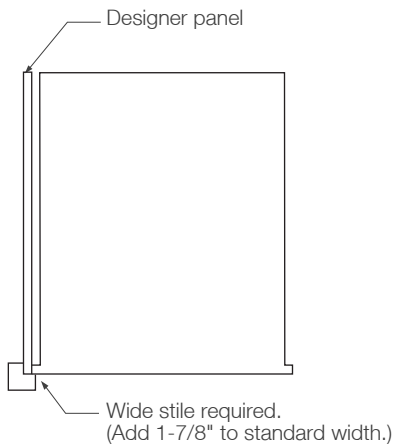


Inset example

### 3/4 Leg Considerations



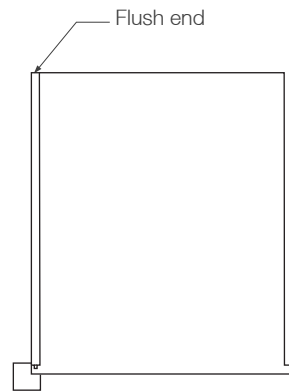
Extended stile to floor recommended.  
Wide stile required. (See chart below.)



**Top View**

Overlay	Minimum stile width
Inset	1-1/2"
3/8" inset	1-3/4"
1/2" overlay	2"
Full overlay*	2"
Euro FO*	2"

\*With odd overlay



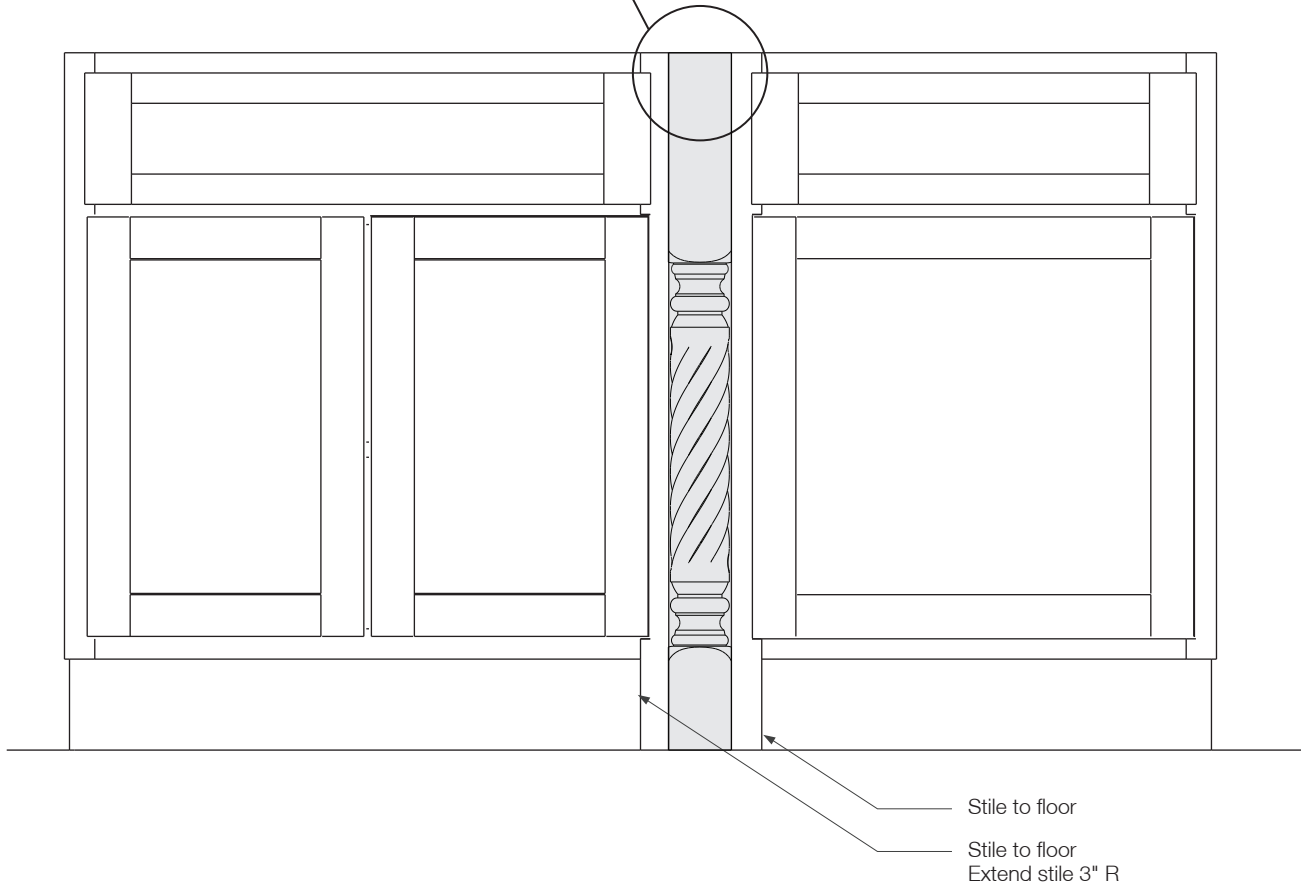
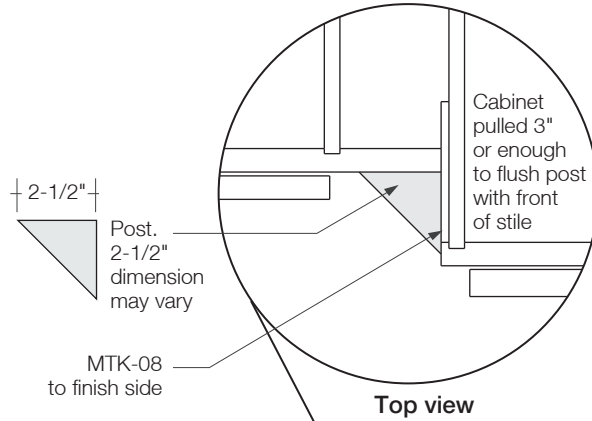
**Top View**

Overlay	Minimum stile width
Inset	2-1/4"
3/8" inset	2-1/2"
1/2" overlay	2-3/4"
Full overlay*	2-3/4"
Euro FO*	2-3/4"

\*With odd overlay

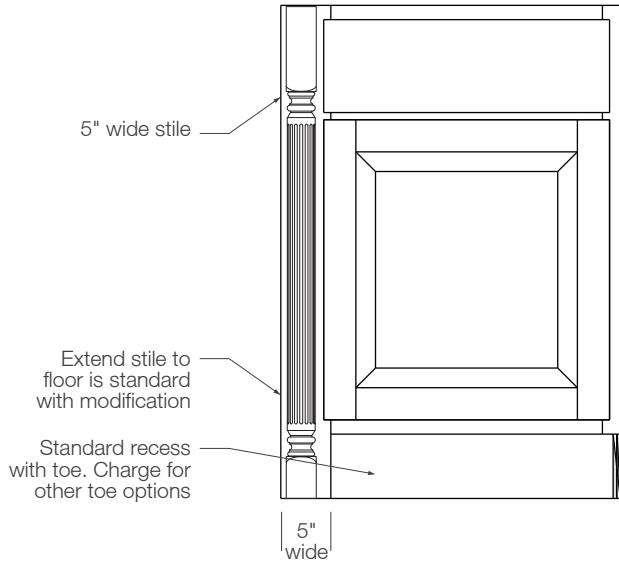


### 1/4 Diagonal Leg Considerations



Elevation of 1/4 diagonal leg

## Factory Installed Table Leg Cabinet Specification



**To order specify:**  
W/BTL - Left (or Right) - xxx 1/2 Leg

Toe options such as Straight Toe Kick, Valance or Toe Recess must be specified if needed with an additional charge.

Addition of Table leg will not increase the width of cabinet. Each leg will take away an additional 3-1/2" from cabinet opening. Full overlay and Euro Full overlay will receive odd overlay as standard to maximize usable opening.

### 1/2 Table Leg Options

**CFP 1/2**  
(Country French Plain)



**EC 1/2**  
(English Country)



**ECDS 1/2**  
(English Country Double Square)



**EEF 1/2**  
(English Estate Fluted)



**GRF 1/2**  
(Greco-Roman Fluted)



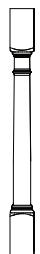
**GRP 1/2**  
(Greco-Roman Plain)



**GRR 1/2**  
(Greco-Roman Rope)

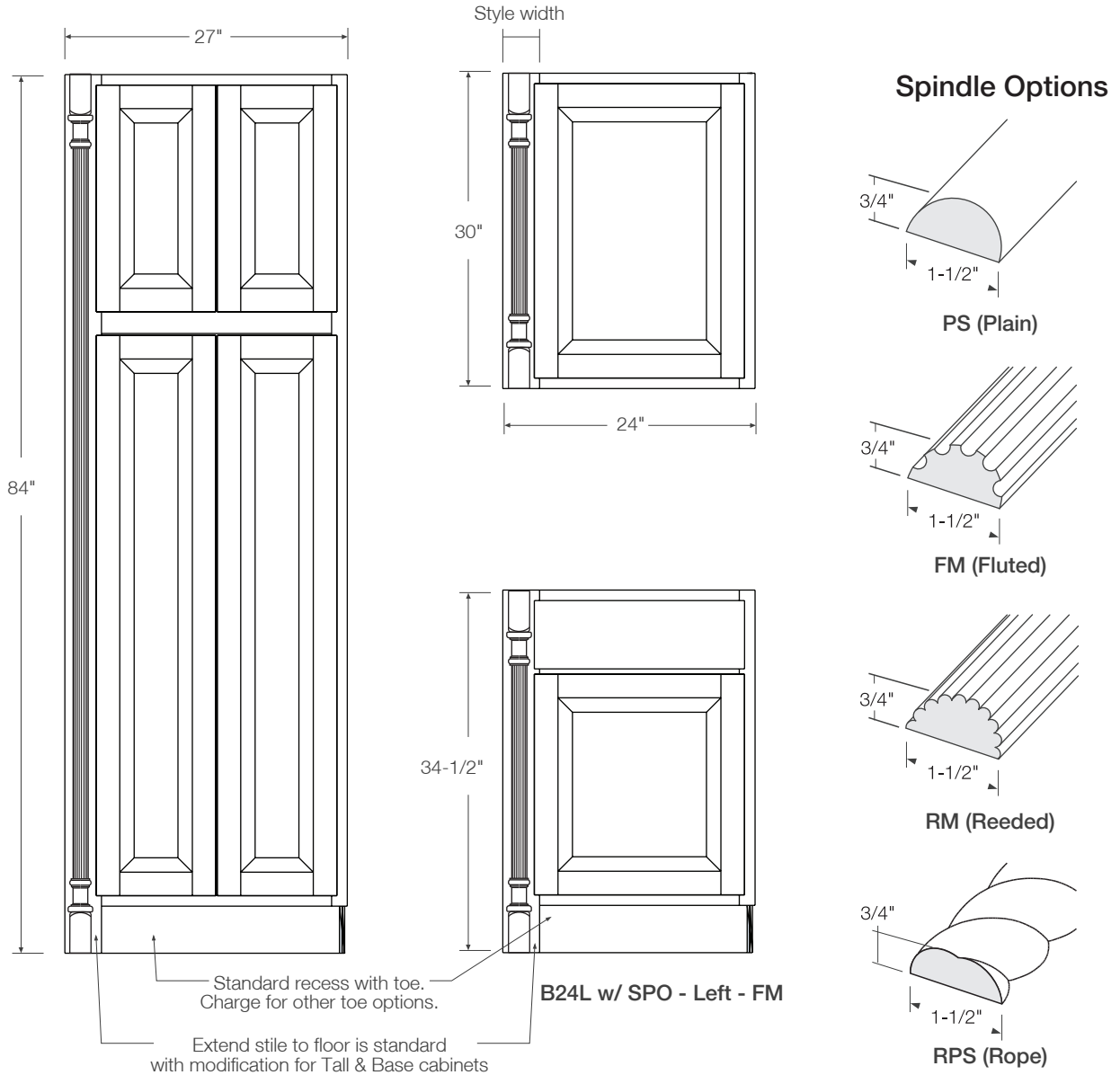


**MCP 1/2**  
(Morris-Column)



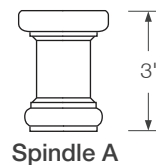
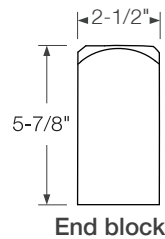


## Factory Installed Spindle Overlay Specification



**UB2784.24 w/ SPO - Left - FM**

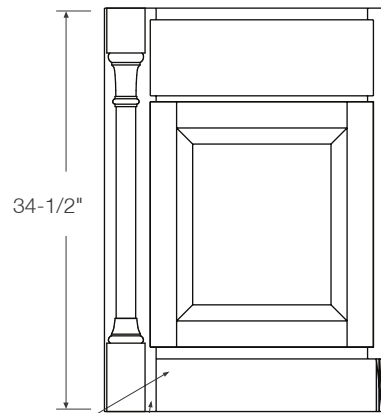
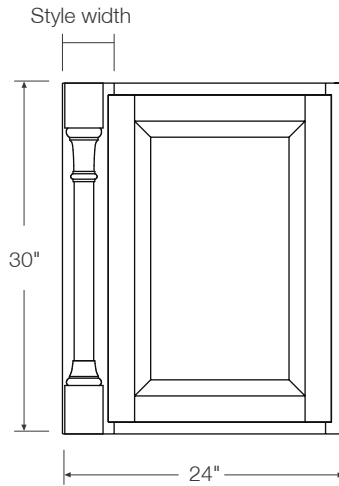
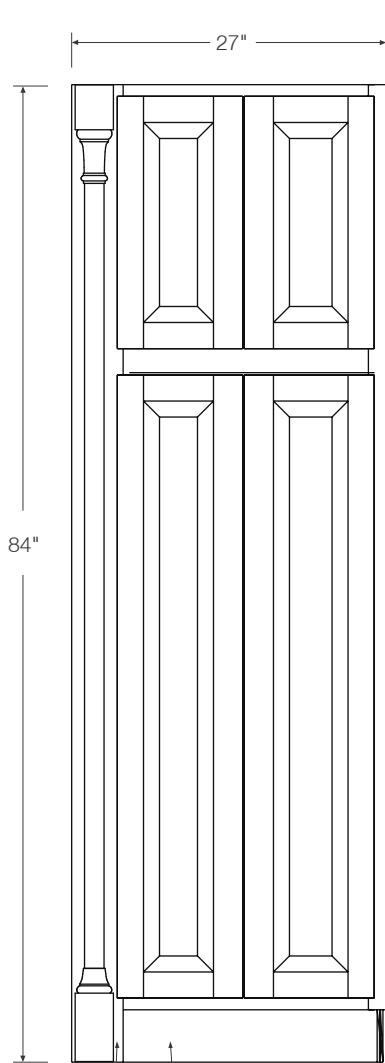
Overlay	Minimum stile width
Inset	3"
3/8" inset	3-1/4"
1/2" overlay	3-1/2"
Full overlay	3-1/2"
Euro FO	3-1/2"



Full overlay and Euro full overlay will receive Odd overlay as standard to maximize usable opening.

To order specify: **W/SPO xxxx - Left (or Right)**  
↓  
*(molding option)*

## Factory Installed Square Column Overlay Specification



Standard recess with toe.  
Charge for other toe options.

Extend stile to floor is standard  
with modification for Tall & Base cabinets

**B24L w/ SCO L**

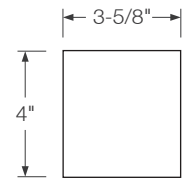
**SS0434-1/2  
w/SCO**

**UB2784.24 w/ SCO L**

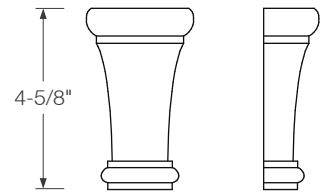
Overlay	Minimum stile width
Inset	4-1/2"
3/8" inset	4-3/4"
1/2" overlay	5"
Full overlay*	5"
Euro FO*	5"

\*Odd overlay will be used

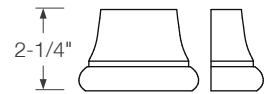
### Column Parts See page 14.39



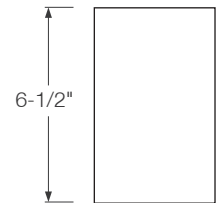
**SCO-Top**  
1-3/4" thick



**SCO-T2**  
Center is 2"  
wide solid stock



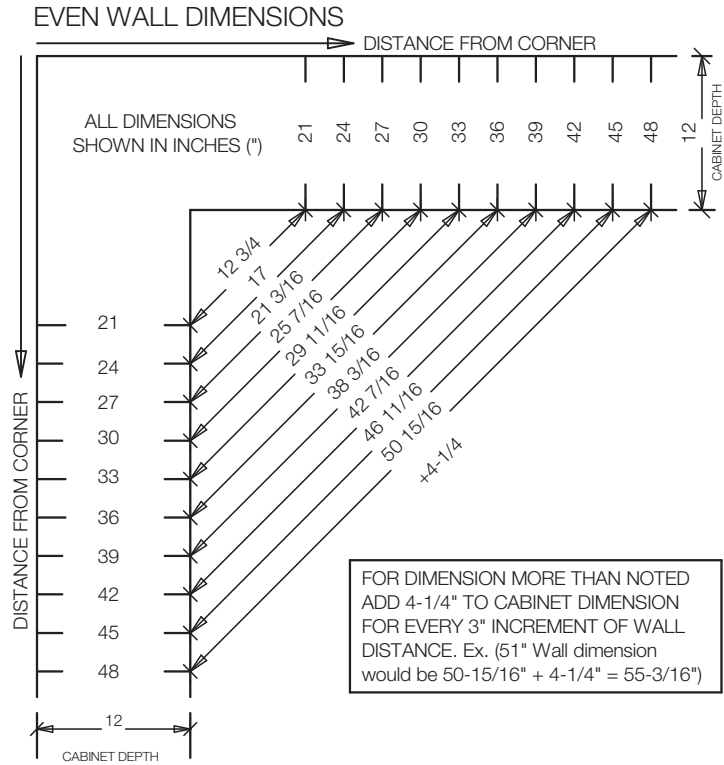
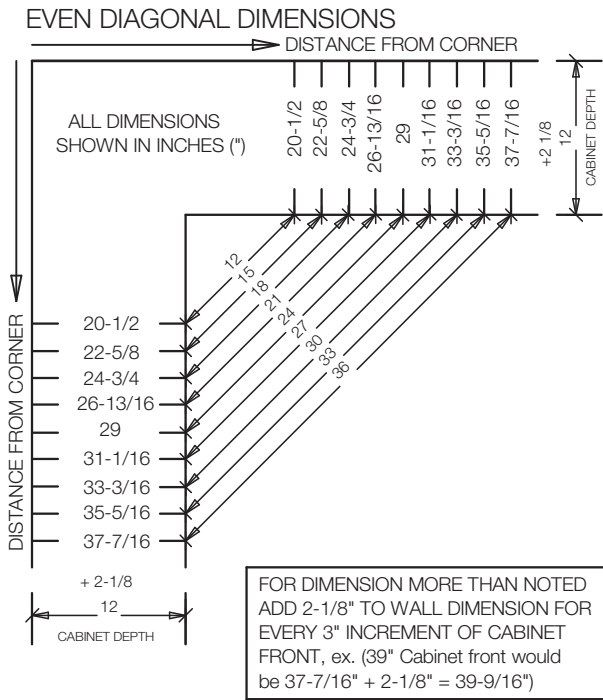
**SCO-B2**



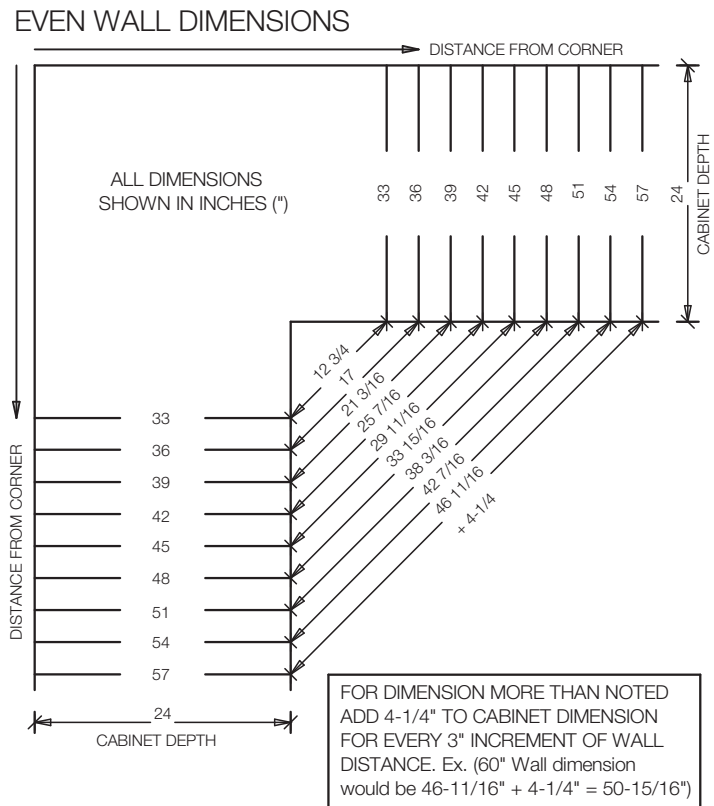
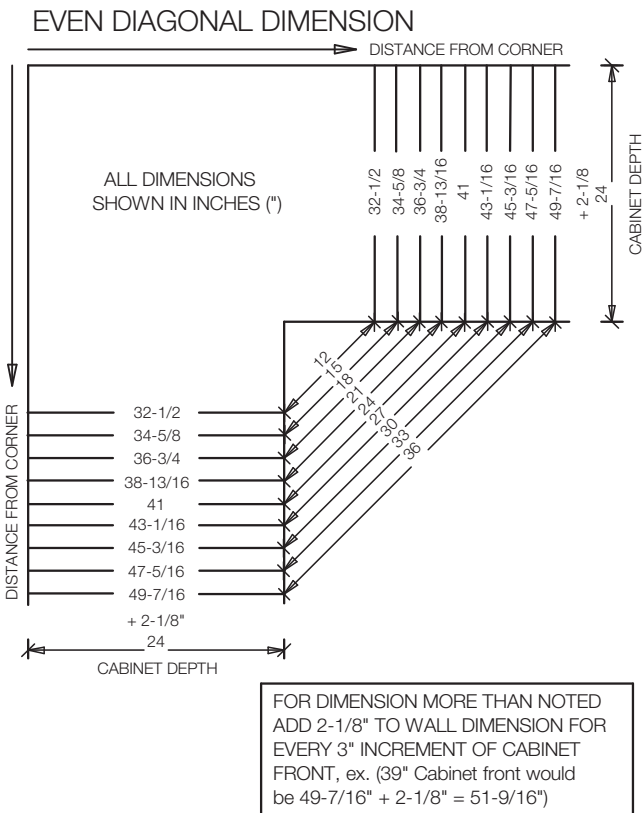
**SCO-Bottom**  
1-3/4" thick

## 45 DEGREE CORNER INSTALLATION DIMENSIONS

### Wall Cabinets

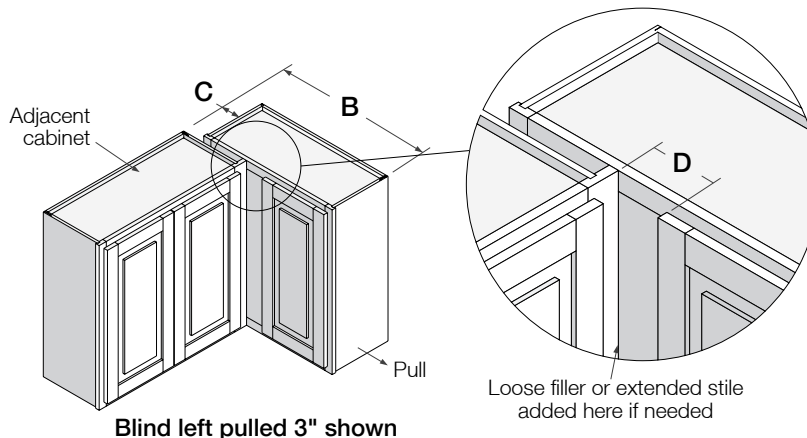
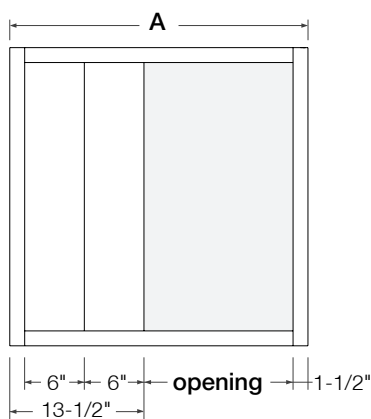


### Base Cabinets



## Blind Corner Wall Cabinet

Face Frame and Opening Chart - All Overlays



Blind left pulled 3" shown

**A = Width of cabinet**

- 24" = 9" opening
- 27" = 12" opening
- 30" = 15" opening
- 33" = 18" opening
- 36" = 21" opening
- 39" Butt = 24" opening
- 42" Butt = 27" opening
- 45" Butt = 30" opening
- 48" Butt = 33" opening

**Dimension B** - Actual width of cabinet plus the amount of pull.

**Dimension C** - Pull amount.

**Dimension D** - Clearance between adjacent cabinet and edge of door or drawer. **Does not include depth of door, drawer or hardware on return cabinet.** It is based on having a 12" deep cabinet adjacent and varies with overlay.

**Left or Right** designation is determined by specifying which side is blind.

**Fillers** - The following fillers or extended stiles are required per overlay:

- FO & Euro FO** - 1" filler or extended stile
- 1/2" overlay** - filler or extended stile size is per designer's discretion
- 3/8 inset & FI** - No filler or extended stile needed

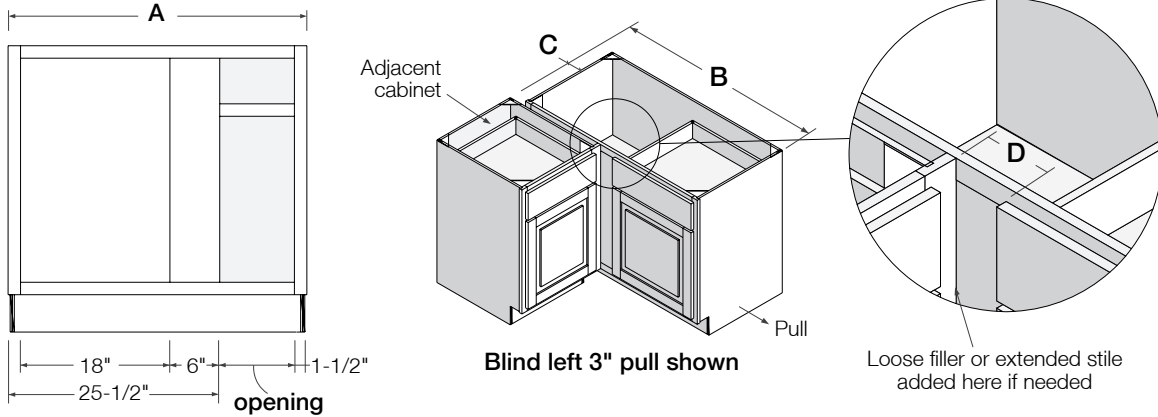
	Cabinet	Actual width	Dimension B	Dimension D				
				FI	3/8	1/2	FO	Euro
Dimension C No Pull (0")	WC24__	24	24					
	WC27__	27	27				3/16"	1/16"
	WC30__	30	30				Insufficient. Must pull 1" min. to clear adjacent door. 1" pull equals 1-3/16"	Insufficient. Must pull 1" min. to clear adjacent door. 1" pull equals Euro 1-1/16"
	WC33__	33	33					
	WC36__	36	36	1-1/2"	1-1/4"	1"		
	WCB39__	39	39					
	WCB42__	42	42					
	WCB45__	45	45					
	WCB48__	48	48					
Dimension C 3" Pull	WC24__	24	27					
	WC27__	27	30					
	WC30__	30	33					
	WC33__	33	36					
	WC36__	36	39	4-1/2"	4-1/4"	4"	3-3/16"	3-1/16"
	WCB39__	39	42					
	WCB42__	42	45					
	WCB45__	45	48					
	WCB48__	48	51					





## Blind Corner Base Cabinet

Face Frame and Opening Chart - All Overlays



**A = Width of cabinet**  
 36" = 9" opening  
 39" = 12" opening  
 42" = 15" opening  
 45" = 18" opening  
 48" = 21" opening

**Dimension B** - Actual width of cabinet plus the amount of pull.

**Dimension C** - Pull amount.

**Dimension D** - Clearance between adjacent cabinet and edge of door or drawer. **Does not include depth of door, drawer or hardware on return cabinet.** It is based on having a 24" deep cabinet adjacent and varies with overlay.

**Left or Right** designation is determined by specifying which side is blind.

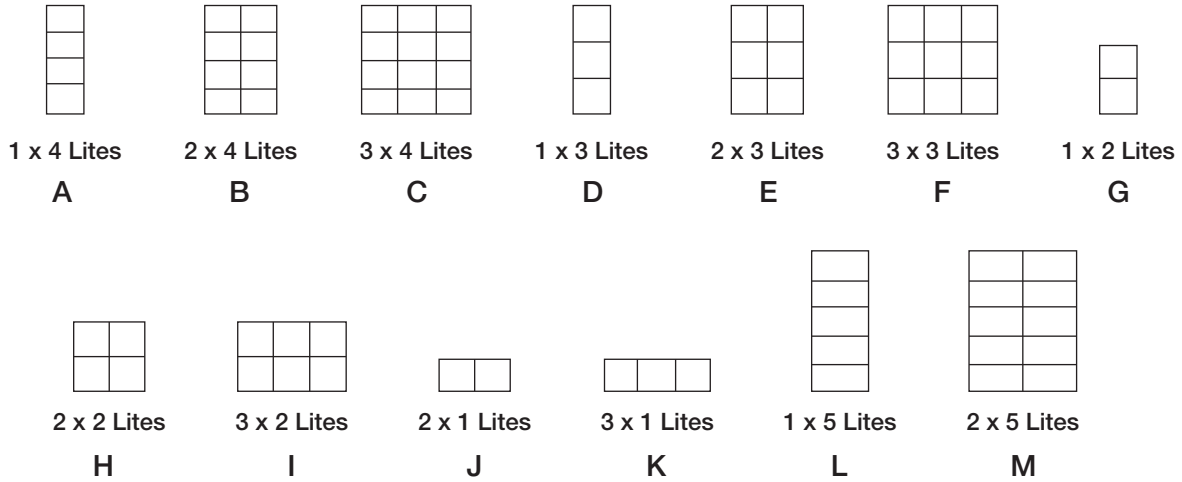
**Fillers** - The following fillers or extended stiles are required per overlay:

- FO & Euro FO** - 1" filler or extended stile
- 1/2" overlay** - filler or extended stile size is per designer's discretion
- 3/8 inset & FI** - No filler or extended stile needed

Dimension C No Pull (0")	Cabinet	Actual width	Dimension B	Dimension D				
				FI	3/8	1/2	FO	Euro
	BC36__	36	36				3/16"	1/16"
	BC39__	39	39				Insufficient. Must pull 1" min. to clear adjacent door. 1" pull equals 1-3/16"	Insufficient. Must pull 1" min. to clear adjacent door. 1" pull equals Euro 1-1/16"
	BC42__	42	42	1-1/2"	1-1/4"	1"		
	BC45__	45	45					
	BC48__	48	48					

Dimension C 3" Pull	Cabinet	Actual width	Dimension B	Dimension D				
				FI	3/8	1/2	FO	Euro
	BC36__	36	39				3-3/16"	3-1/16"
	BC39__	39	42					
	BC42__	42	45	4-1/2"	4-1/4"	4"		
	BC45__	45	48					
	BC48__	48	51					

## Mullion Chart



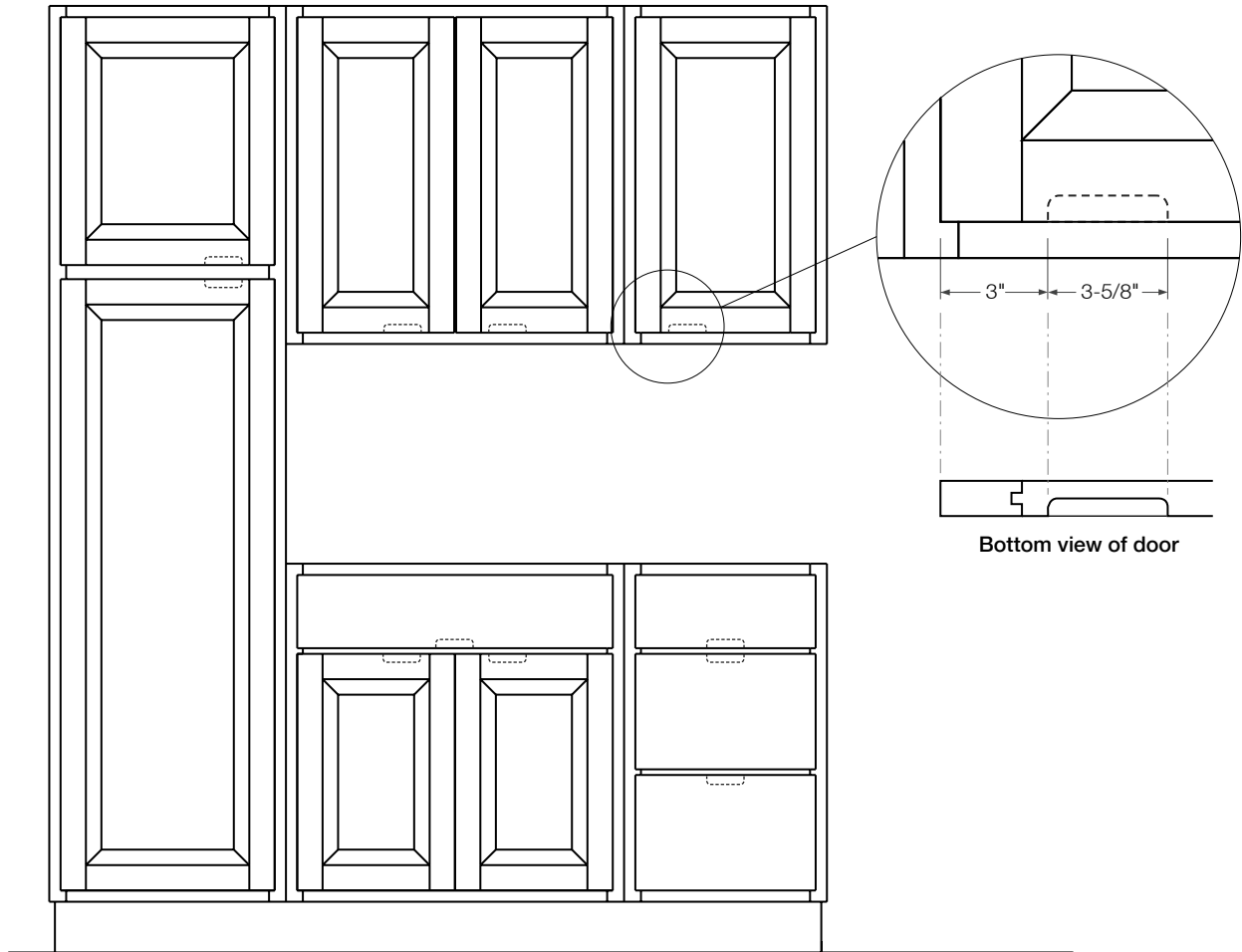
Cabinet Width	Cabinet Height																															
	12"	15"	18"	21"	24"	27"	30"	33"	36"	39"	42"	WSD54" (48")	WSD60" (54")																			
9"																																
12"				G	G	G	G	D	D	D	A	A	A	A	A	A	A	L	L	L	L	L	L									
15"				H	H	H	H	H	E	E	E	E	B	B	B	B	B	B	B	B	B	B	M	M	M	M	M	M				
18"				H	H	H	H	H	E	E	E	E	E	B	B	B	B	B	B	B	B	B	M	M	M	M	M	M				
21"				H	H	H	H	H	E	E	E	E	E	B	B	B	B	B	B	B	B	B	M	M	M	M	M	M				
24"				I	I	I	I	I	F	F	F	F	F	C	C	C	C	C	C	C	C	C	M	M	M	M	M	M				
24" Butts				G	G	G	G	D	E	E	D	E	E	A	B	B	A	B	B	A	B	B	M	M	M	M	M	M				
27" Butts		J	J	J	J	J	J	H	H	H	H	H	H	E	E	E	E	E	B	B	B	B	B	B	B	B	B	M	M	M	M	M
30"	J	J	J	J	J	J	J	H	H	H	H	H	H	E	E	E	E	E	B	B	B	B	B	B	B	B	B	M	M	M	M	M
33"	J	J	J	J	J	J	J	H	H	H	H	H	H	E	E	E	E	E	B	B	B	B	B	B	B	B	B	M	M	M	M	M
36"	J	K	K	J	K	K	J	K	K	H	H	H	H	E	E	E	E	E	B	B	B	B	B	B	B	B	B	M	M	M	M	M
39"	K	K	K	K	K	K	K	I	I	I	I	I	I	E	E	E	E	E	B	B	B	B	B	B	B	B	B					
42"				K	K	K	I	I	I	I	I	I	I	E	E	E	E	E	B	B	B	B	B	B	B	B	B					
45"				I	I	I	I	I	I	F	F	F	F	F	F	F	F	C	C	C	C	C	C	C	C	C	C					
48"				I	I	I	I	I	I	F	F	F	F	F	F	F	C	C	C	C	C	C	C	C	C	C	C					

Represents Full Inset Door Sizes  
 Represents 1/2" & 3/8" Door Sizes  
 Represents Full Overlay/ Euro Full Overlay Door Sizes

**NOTE:** The design of the mullion lites will be limited to Square, Regular, Ogee and Elite frame bead (which is different than standard Elite frame bead). Doors that require mullions and do not have these frame bead options will receive a substitute.

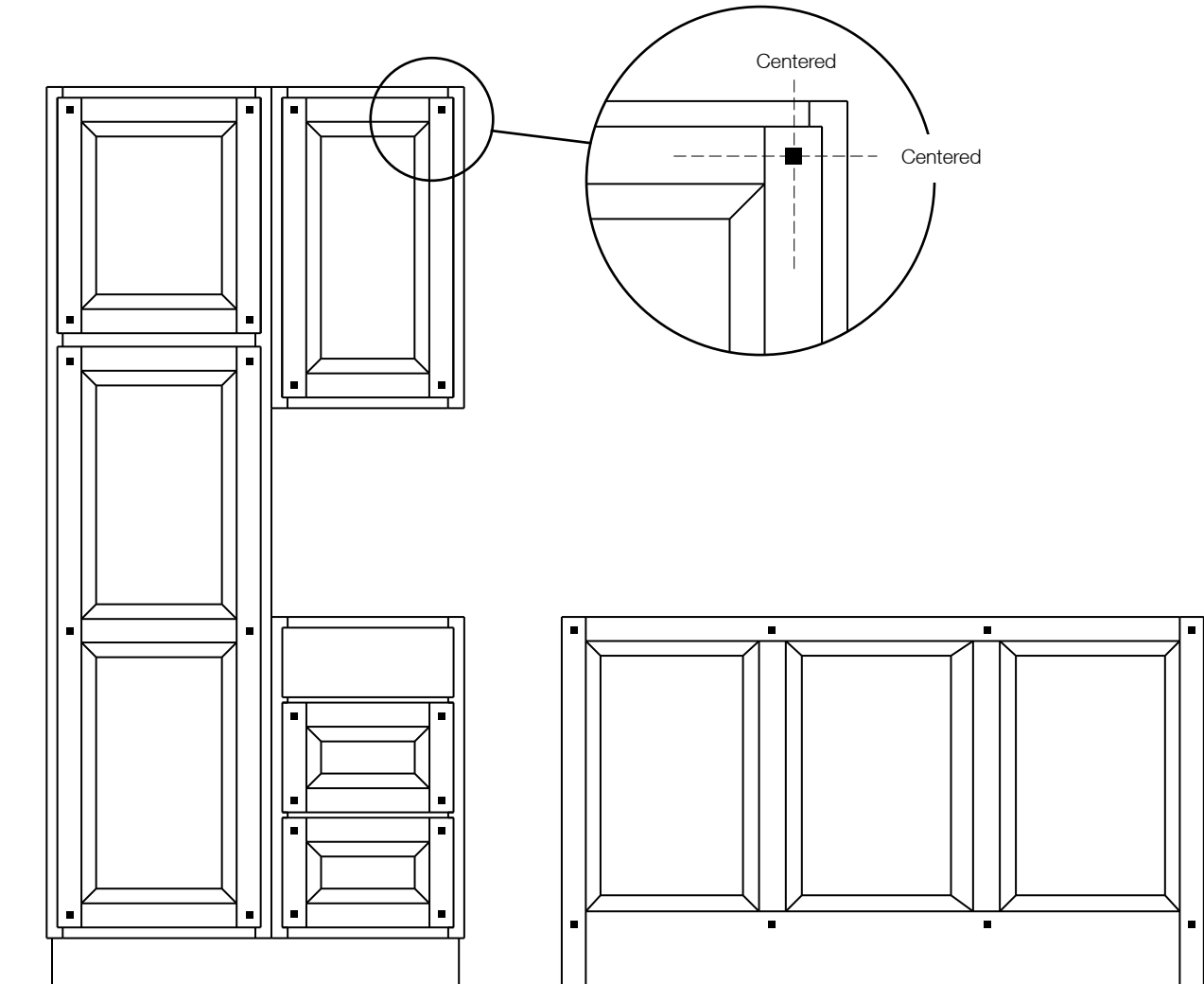


# Finger Pull Spec Sheet



- Hand pull is located opposite the hinge
  - Top of the base and lower tall doors
  - Bottom of wall and upper tall doors
  - Bottom center on top drawers
  - Top center on lower drawers
- On doors under 10", the route is centered
- For 1/2" overlay only

## Peg Door Spec Sheet



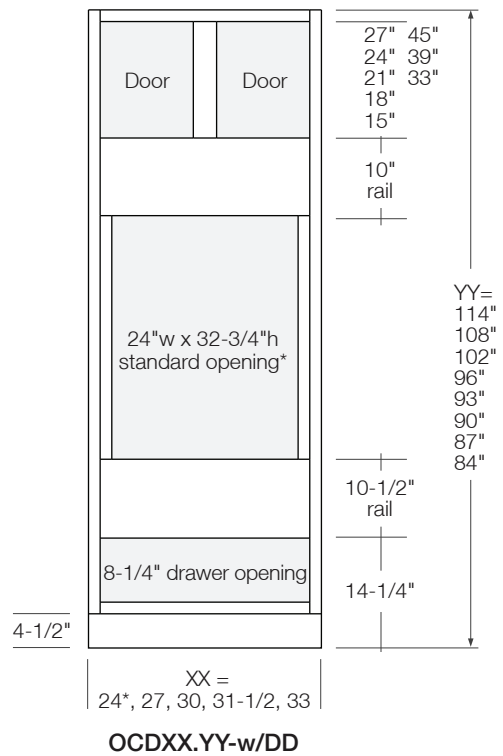
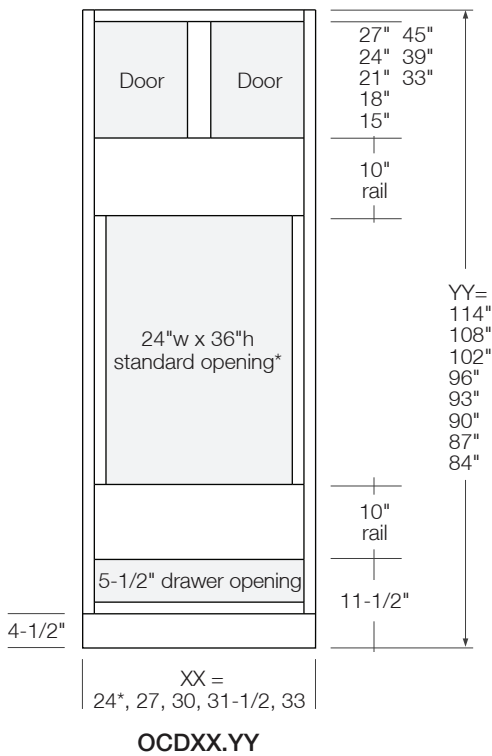
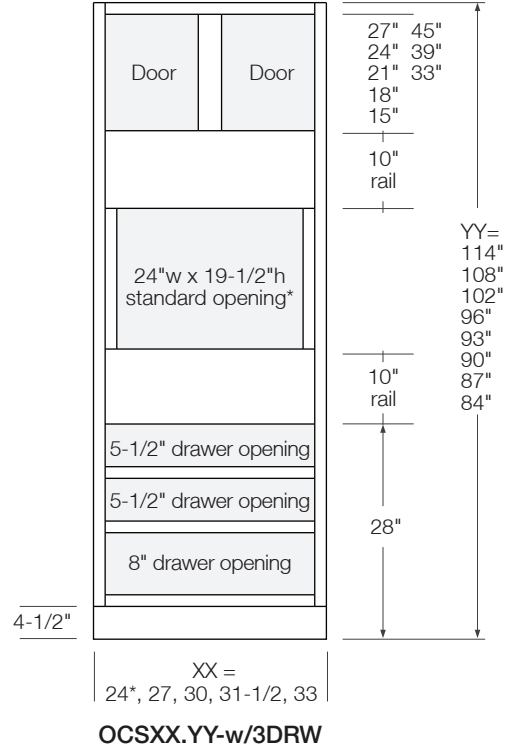
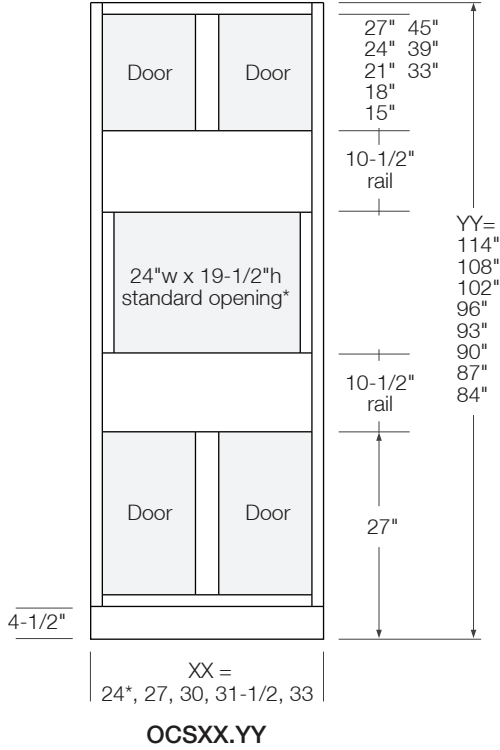
DBEP

- Pegs are 5/16" square
- Please specify Oak, Cherry, Mahogany or Walnut
- Pegs are located at each joint. Please specify if fewer are desired.
- Price is for each panel.
- Not available on veneer or mitered doors.



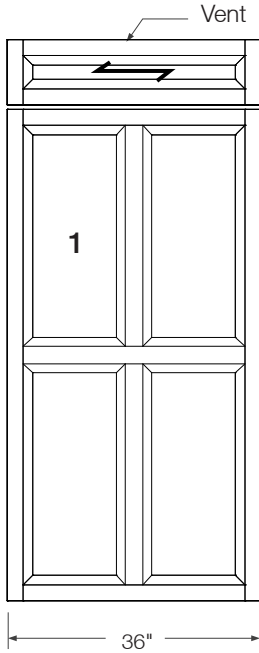
## Oven Cabinet Specifications

- Includes adjustable oven floor
- Shelf is present in upper section in 93" tall cabinets and above.

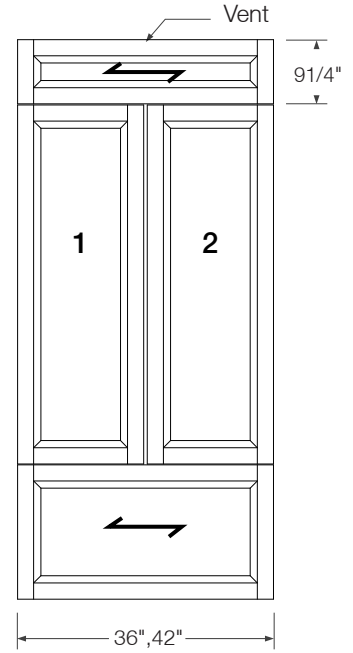
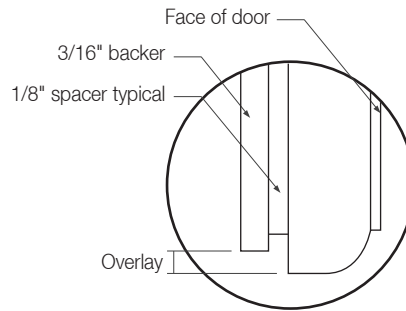


\* 24"w cabinets have a 21" wide oven opening

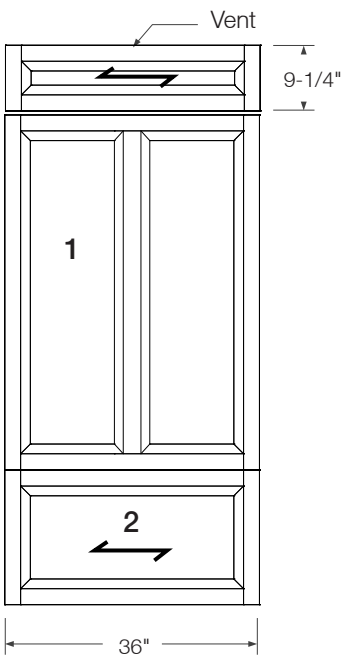
## Subzero Overlay Panel Spec Sheet



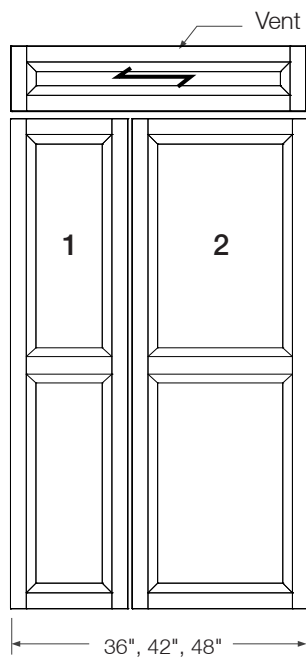
**BI-36F / BI-36R**



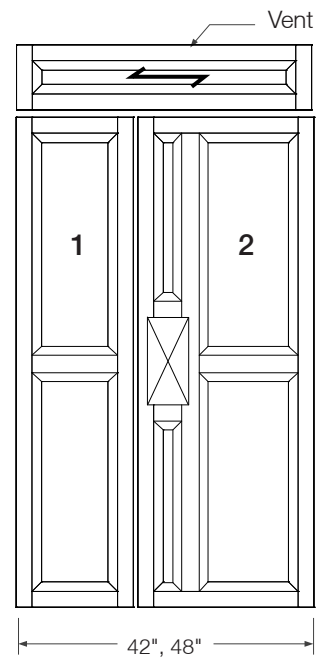
**BI-36UFD / BI42UFD**



**BI-36U**



**BI-36S / BI-42S / BI-48S**

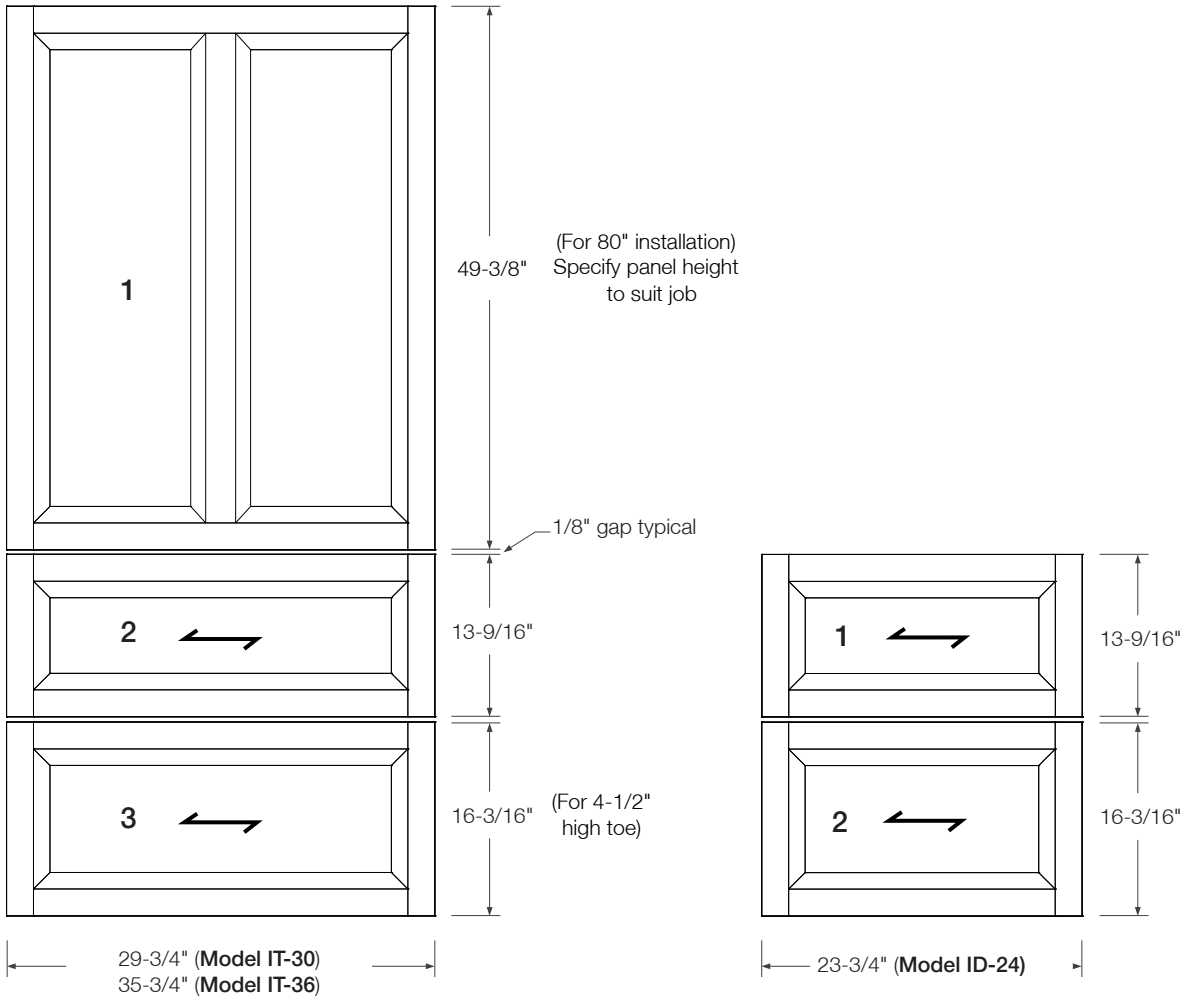


**BI-42SD / BI-48 SD**



# Subzero Integrated Panel Spec Sheet

Door Only

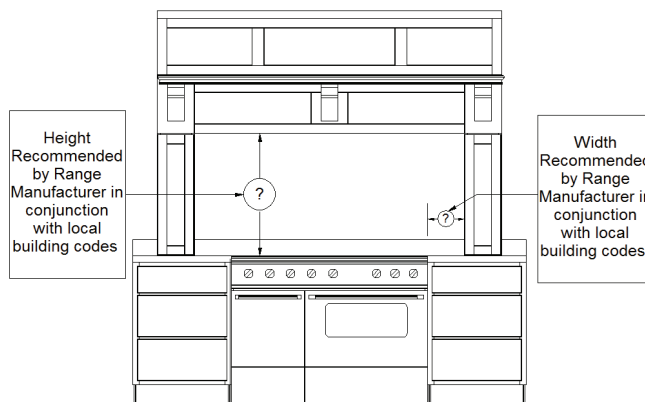
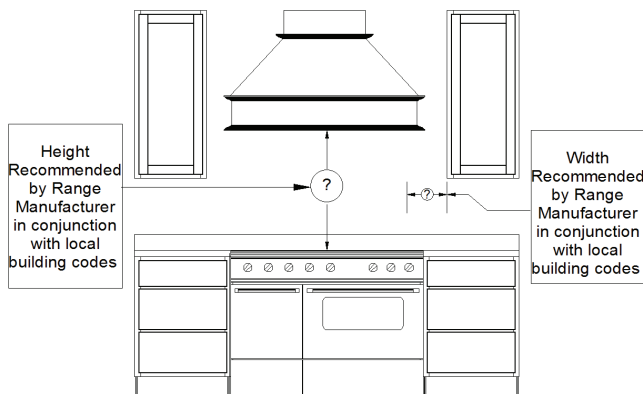


# Wood Hood Considerations

## Local Fire Codes:

It is important to make sure your hood installation complies with your local fire codes.

- Distance from cooking surface to bottom of the hood.
- Distance from cooking surface to adjacent wall cabinets or grotto columns. Tile or non-combustible materials can help – check local codes.
- Clearance between outside vent and combustible shrubs, buildings and other items.
- Air make-up system for higher CFM ratings of ventilators – where required.
- Gauge requirement of duct work and requirement for connection of duct pipes. Keep capacity of duct when converting from round to rectangle duct, so as not to impede air flow.
- Plus other code requirements not listed above, these code requirements need to be worked out before ordering a wood hood or grotto.

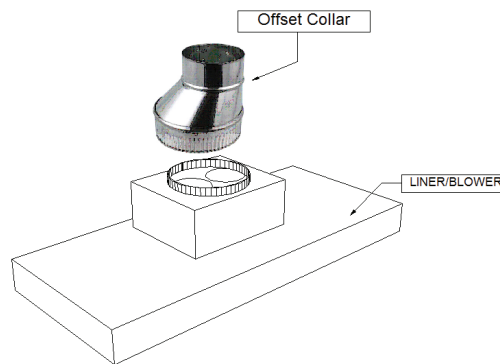
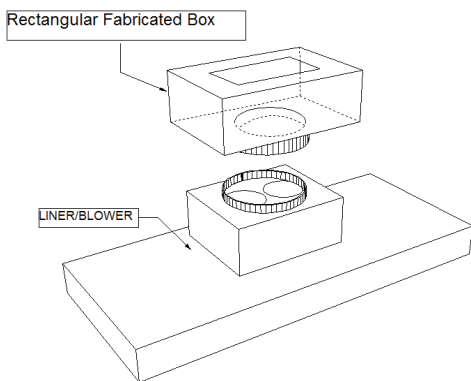


## Installation Ramifications and Cost:

- The install of a hood or grotto is usually a two person job. The time required is often underestimated. If the installer has not done an install of this exact nature, a time and material billing might be best.

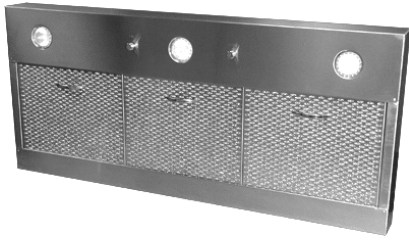
## Issues that can arise:

- Connecting duct work properly up inside the hood.
- Sometimes it is best to remove the back of the hood, connect duct work liner and ventilator, then slide hood shell over the workings.
- Attaching the hood properly to the wall without exposed screws.
- Inadequate room for duct work and transition ducts or elbows.

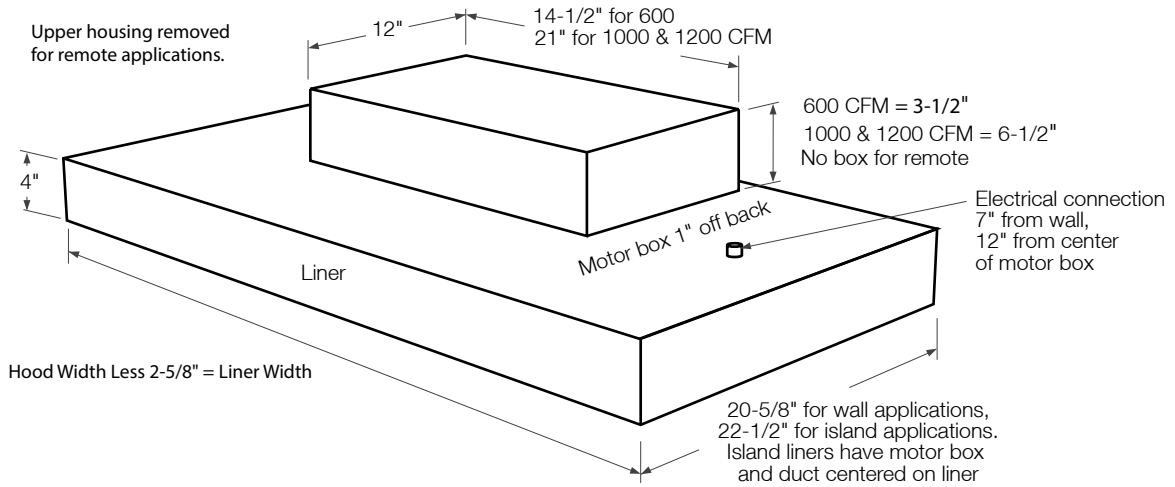


**Notes: Make sure to check spec of cooking surface for proper CFM of ventilator.**

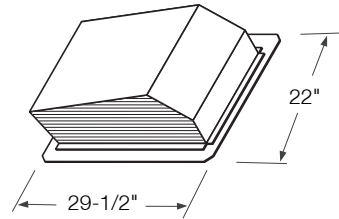




## Ventilator Professional Mesh Liner



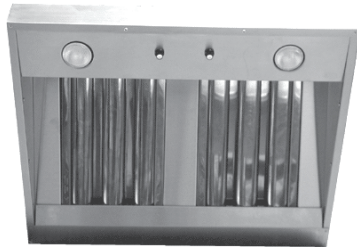
- Dimmer controlled halogen lighting
- Variable speed fan control
- Large dishwasher safe perforated stainless steel mesh insert filters
- Internal, external blowers
- Sizes to fit 30" through 60" decorative range hoods
- 22 gauge 303 stainless
- Two year in home warranty
- Quiet, variable speed blower



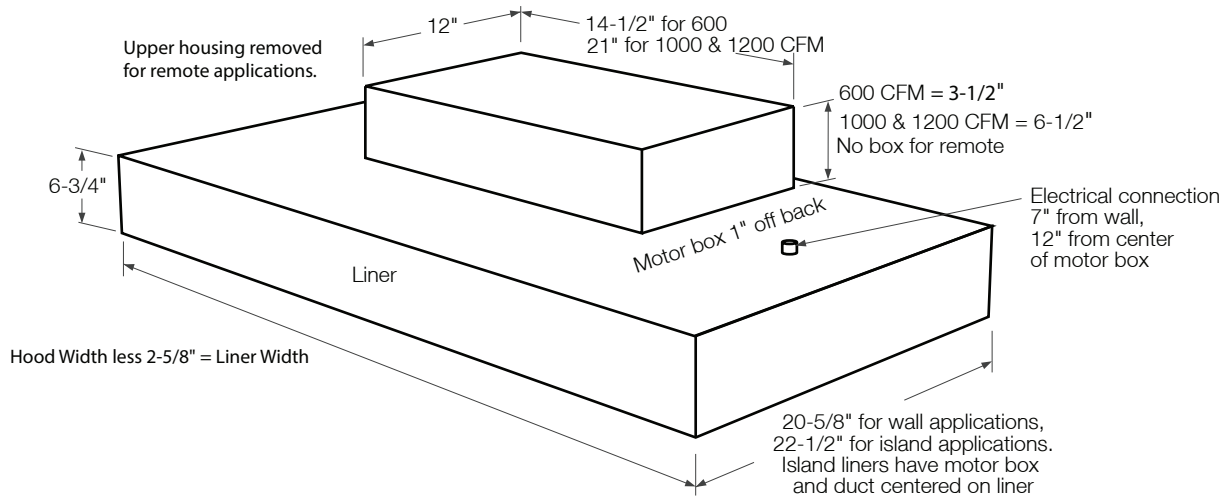
External-mounted Blower

Model and CFM	Amps	Ducting	Suggested Use
PML600 (internal)	5.0, 100V	8" round	Standard range or small commercial range
PML1000 (internal)	7.0, 110V	10" round	Commercial range up to 48" wide without grill
PML1200 (internal)	7.0, 110V	10" round	Commercial range up to 48" wide without grill
PML600R (external)	7.0, 110V	10" round	36" or smaller commercial range without grill
PML1200R (external)	7.0, 110V	10" round	Any commercial range without grill
PML1500R (external)	7.0, 110V	10" round	Any range with WOK and/ or Grill

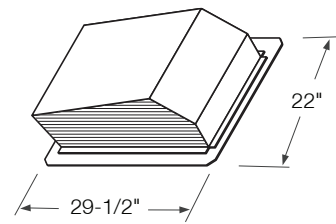
28-3/8" through 40-3/8" has 2-50W halogen lights; 46-3/8" through 58-3/8" has 3-50W halogen lights.



## Ventilator Professional Baffle Filter



- Dimmer controlled halogen lighting
- Variable speed fan control
- Large dishwasher safe polished stainless baffle filters
- Double wall construction
- Large capture area
- Internal, external blowers
- Sizes to fit 30" through 60" decorative range hoods
- 22 gauge 303 stainless
- Two year in home warranty



External-mounted Blower

Model and CFM	Amps	Ducting	Suggested Use
PBL600 (internal)	5.0	8" round	Standard range or small commercial range
PBL1000 (internal)	7.0	10" round	Commercial range up to 48" wide without grill
PBL1200 (internal)	7.0	10" round	Commercial range up to 48" wide without grill
PBL600R (external)	7.0	10" round	36" or smaller commercial range without grill
PBL1200R (external)	7.0	10" round	Any commercial range without grill
PBL1500R (external)	7.0	10" round	Any range with WOK and/ or Grill

28-3/8" through 40-3/8" has 2-50W halogen lights; 46-3/8" through 58-3/8" has 3-50W halogen lights.

Note: If ordering arched bases on the G, T, I, E, W, H, S, J or A, the base height must be increased by 2", this is done at no charge. 1000 CFM internal blower will not fit in 36" island hood

## PML/PBL Ventilators Ductwork Installation

**PLEASE NOTE:**

- If your range hood has an arch, increase the vent height by the following:

RA, DP2 base: 2-1/2".

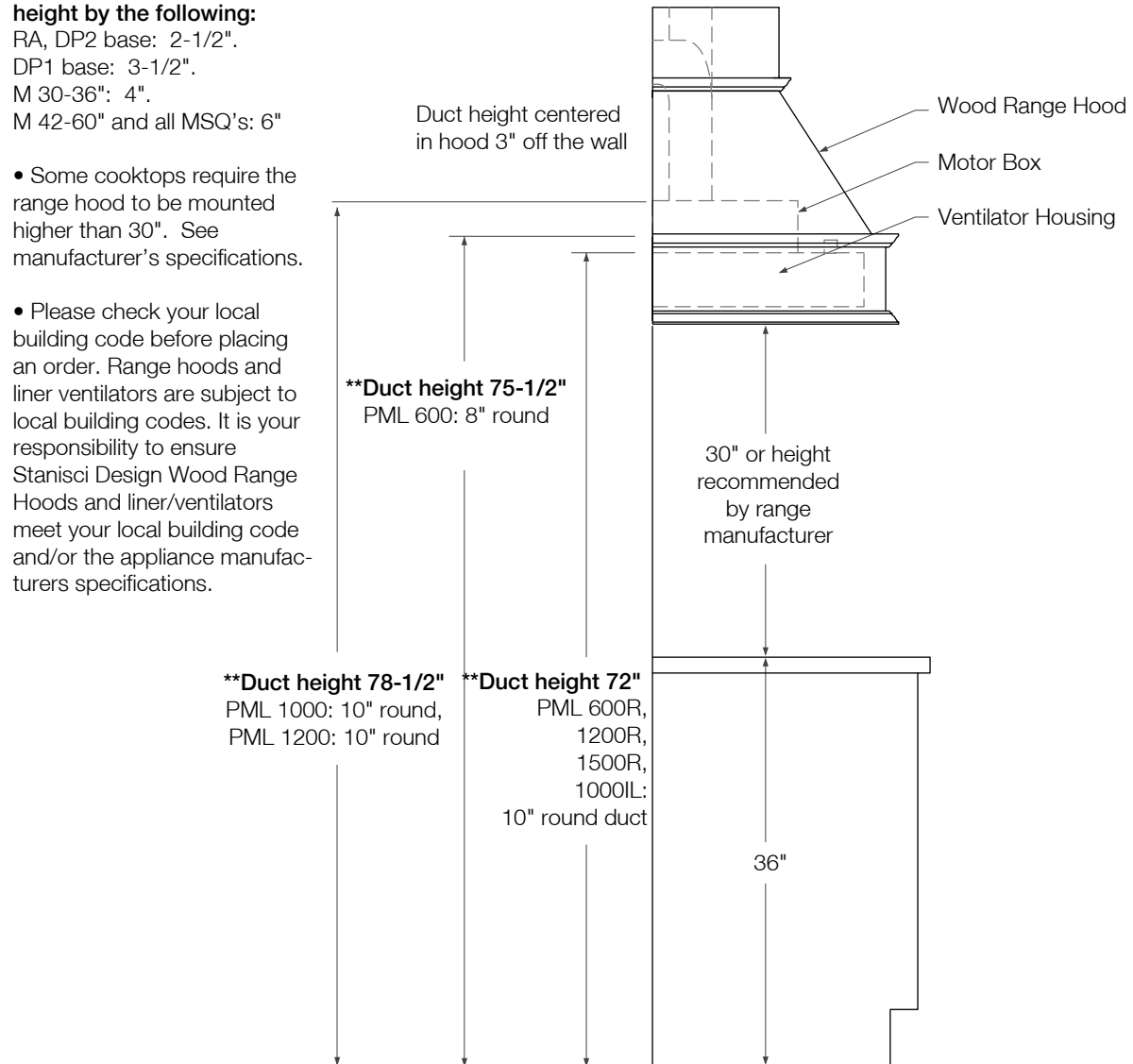
DP1 base: 3-1/2".

M 30-36": 4".

M 42-60" and all MSQ's: 6"

- Some cooktops require the range hood to be mounted higher than 30". See manufacturer's specifications.

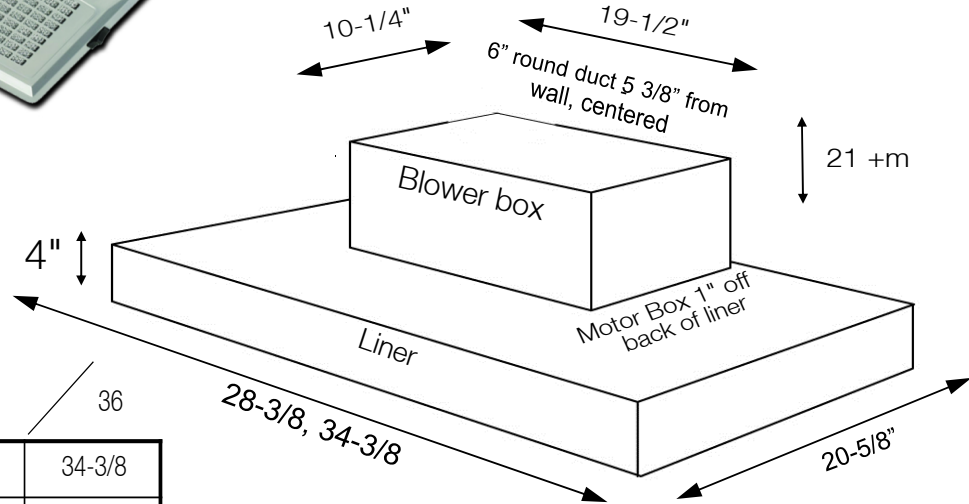
- Please check your local building code before placing an order. Range hoods and liner ventilators are subject to local building codes. It is your responsibility to ensure Stanisci Design Wood Range Hoods and liner/ventilators meet your local building code and/or the appliance manufacturer's specifications.



**\*\*Diagram depicts Professional Mesh Liner, increase installed duct heights on the Professional Baffle Liner by 2-3/4"**

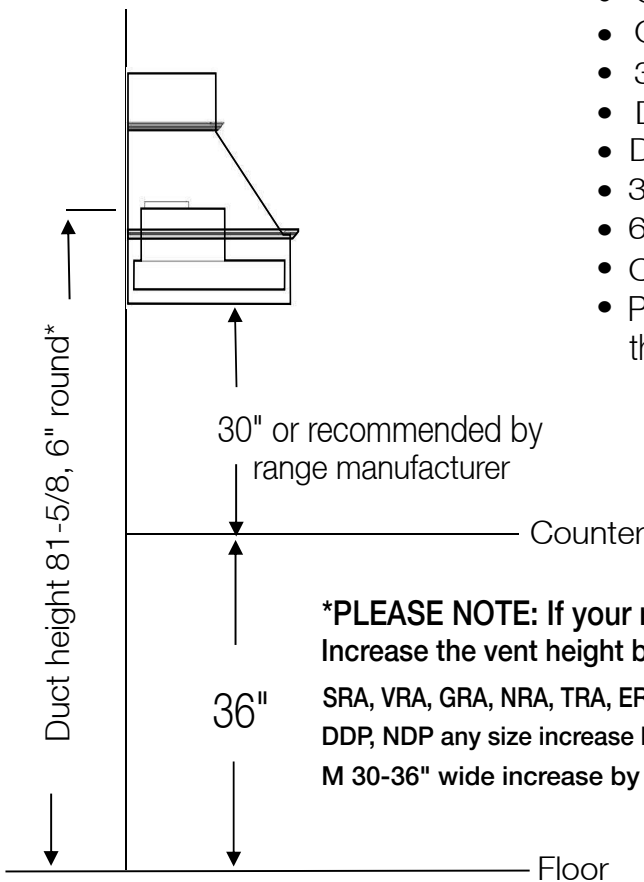


# Ventilator BR Series



Wood Hood Size and Model	28-3/8	34-3/8
VC, G, T	30	36
E, D	N/A	36
M	30	36
S, A, P	33	39
H, L, N	N/A	54
	N/A	N/A

- Comes in a silver metallic finish
- Quiet, multi speed blower
- 30" and 36" sizes available
- Dual 40 watt lights
- Dishwasher safe filter
- 390 CFM Blower
- 6 Inch round duct built with damper
- Comes with a two year in home warranty
- Please check all local codes involving make up air this may absolve you of needing to install any make up air.



**\*PLEASE NOTE:** If your range has an arch  
Increase the vent height by the following:

SRA, VRA, GRA, NRA, TRA, ERA, ARA, WRA, HRA, H2RA any size increase by 2-1/2"

DDP, NDP any size increase by 3-1/2"

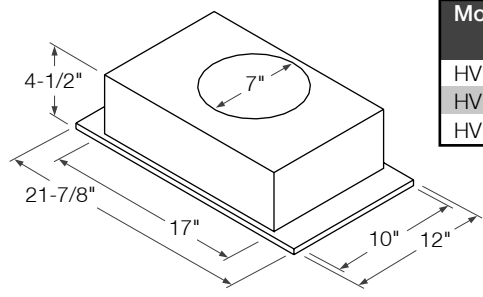
M 30-36" wide increase by 4", M 42-60" increase by 6"



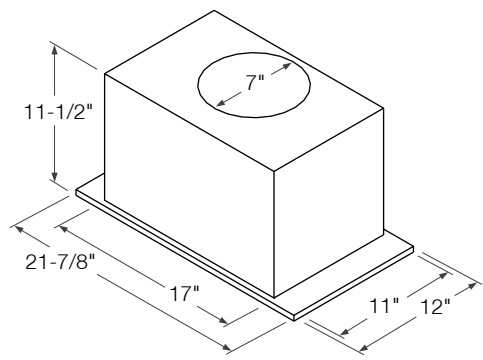
## HV series models specifications & warranty

### WARNING!

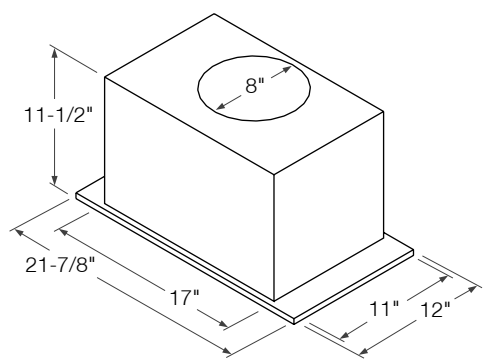
For maximum ventilation performance, the bottom of the hood or liner should be 30 - 36" (76.2 - 91.4 cm) above the cooking surface (minimum is 24"). This would typically result in the bottom of the hood being 66 - 72" (167.6 - 182.9 cm) above the floor. These dimensions provide for safe and efficient operation of the hood. Always observe local building codes.



**HV212**



**HV410**



**HV620**

Model	Width x depth	CFM	Type of motor & blower	Fan switch	Sone level
HV 212	22" x 12"	212	Internal	2 speed rocker	7.0
HV 410	22" x 12"	410	Internal	3 speed rocker	7.0
HV 620	22" x 12"	620	Internal	3 speed rocker	7.5

### WARRANTY

#### What is covered

Hoffco, Inc., warrants its Standard Series kitchen ventilation products to the original user, to be free of defects in materials and workmanship for one (1) year from the date of purchase.

Hoffco, Inc., at its option, will repair or replace the complete unit or any defective component without charge. This warranty may be voided if any unauthorized service, alterations or repairs are made to the product.

#### What is not covered

- Normal maintenance and service of any product that has been subject to misuse, negligence, accident or installation inconsistent with the recommended installation instructions.
- Product used other than for normal in-home use or products used outside of the United States.
- Damage to the product caused by accident, fire, flood or other "acts of God."
- Service calls to educate the customer in the proper use and care of the product, correct faulty installation, change fuses or reset breakers.

Hoffco, Inc. disclaims and excludes any liability for implied warranties or for incidental or consequential damages wherever permitted by law. There are no implied warranties of merchantability or fitness for a particular use or purpose. This warranty gives you specific legal rights and you may also have other rights, which vary from state to state.

#### For Service

If you need service, contact Candlelight Customer Service. Provide the model number, part identification and details of the problem.

Hoffco, Inc. has a policy of continuous improvements and reserves the right to modify (at any time and without notice) any or all of its products, features, designs, components and specifications. For exact dimensions, see the installation instructions included with each product. Some features may be slightly different than shown on product literature.

Warranty Rev. 02/25/04





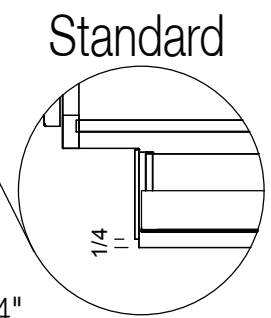
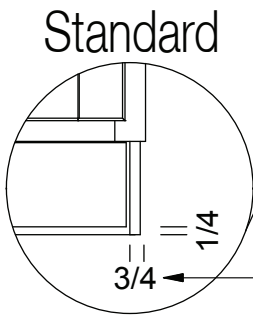
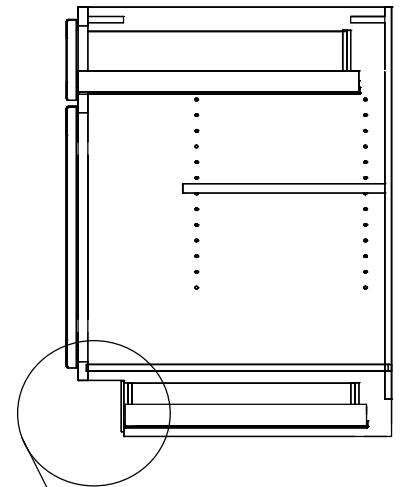
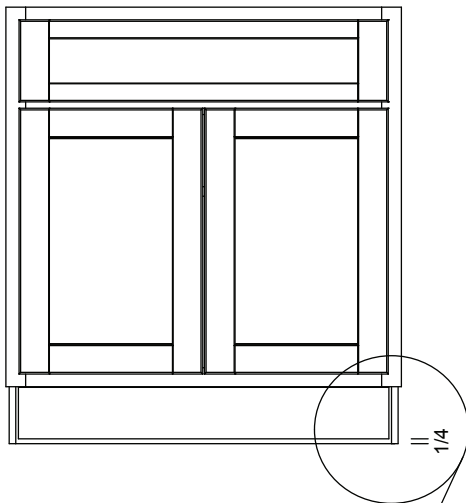
**1** Toe Kick Application:

### Features:

Blum Movento slides with touch to open and Soft Close built in.

Factory installed MTK which can be trimmed in field for base shoe.

Sits flush with applied MTK in field

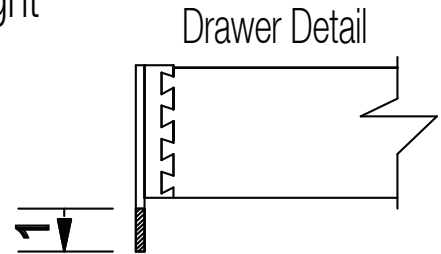
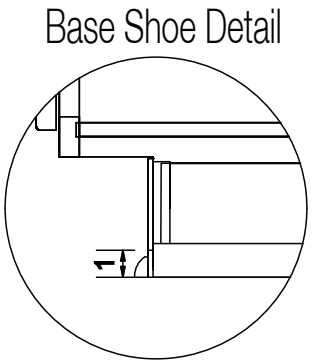


Adjoining cabinets MTK to overlay cabinet by 3/4"

**2** Trim MTK in field if Base Shoe is being applied

\*\* Installer to trim MTK in field if Base shoe is applied\*\*

\*\* Trimmable up to 1" in height\*\*



Notes:

---

---

---

---

---

---

---

---

---

---

---

---

---

---

---

---

---

---

---

---

---

---

---

---





1-2TableLegWorksheet	4.19
1-4TableLegWorksheet	4.18
Custom Color Match Form	4.8
Custom Door Form	4.6
Custom Quote Form	4.7
Deep Range Base Worksheet	4.16
Dish Drawer Cabinet Worksheet	4.10
Dishwasher Front Worksheet	4.15
Farmer Sink Base Worksheet	4.17
Hood Profiles Worksheet	4.20
JCO / Replacement Time Chart (1 of 2)	4.2
JCO / Replacement Time Chart (2 of 2)	4.3
Kitchen Order Form	4.1
Oven Cabinet Worksheet	4.11
Painted Finish Consideration (1 of 2)	4.25
Painted Finish Consideration (2 of 2)	4.26
Quick Quote Form	4.5
Refrigerator Designer Panels Door Only	4.13
Refrigerator Designer Panels Framed	4.12
Refrigerator Designer Panels Overlay	4.14
Replacement Form	4.4
Return Form	4.9
Sample Block1 (1 of 2)	4.21
Sample Block1 (2 of 2)	4.22
Sample Door Order Form	4.23
Sample Door Order Form-NON-stock	4.24



# ORDER FORM

Page \_\_\_\_\_ of \_\_\_\_\_  
Custom Built for \_\_\_\_\_  
Customer Account # \_\_\_\_\_  
Purchase Order # \_\_\_\_\_  
Salesperson \_\_\_\_\_

Sold to \_\_\_\_\_  
\_\_\_\_\_  
\_\_\_\_\_  
Ship to \_\_\_\_\_  
\_\_\_\_\_  
\_\_\_\_\_  
Contact Phone \_\_\_\_\_  
Contact Name \_\_\_\_\_

CONSTRUCTION

Wall Door \_\_\_\_\_ Top Drwr \_\_\_\_\_  
Base Door \_\_\_\_\_ Deep Drwr \_\_\_\_\_  
Wood \_\_\_\_\_ Finish \_\_\_\_\_  
 Duralux     All Plywood     Plywood Sides

Date Ordered \_\_\_\_\_  
Date Needed \_\_\_\_\_  
Mode of delivery \_\_\_\_\_

HINGING

1/2" Cup SC  
 FO Cup SC  
 Euro FO SC

Full Inset Cup SC  
 BF Cup SC

3/8" Knife AB  
 3/8" Knife NK

This combination is a winner. Build us an identical 15" x 24" sample base front for \$59 net. (Includes UPS shipping to salesperson).

SC = Soft-close; FO = Full Overlay; BF = Beaded Frame

### Job notes

Item #	Qty	Hinge	F.E.	Model #	Special Information

Subject to Terms & Conditions as stated in the Spec book. List in order: Walls, Bases, Talls, Vanities. List miscellaneous items last.

Authorized Signature: \_\_\_\_\_



# Job Completion Order Form

Additions to job

Projected ship dates are listed on back, per Code Red/Blue columns. Items ship on UPS Ground or Common Carrier (as needed) unless otherwise specified. Code Red premiums are in addition to normal shipping charges.

No changes allowed on JCO's. Any JCO under \$78 net invoice cost will receive a \$16 net premium charge. JCO's over \$78 net cost will receive the following percentage upcharges.

**CODE RED**  
20% Premium

**CODE BLUE**  
No premium

Original Acknowledgement # \_\_\_\_\_

Original Purchase Order # \_\_\_\_\_

Sold to \_\_\_\_\_

Page \_\_\_\_\_ of \_\_\_\_\_

Custom Built for \_\_\_\_\_

\_\_\_\_\_

Customer Account # \_\_\_\_\_

Ship to \_\_\_\_\_

Purchase Order # \_\_\_\_\_

\_\_\_\_\_

Salesperson \_\_\_\_\_

\_\_\_\_\_

**Ship Via:**  Candlelight Truck  UPS Overnight Saver  Common Carrier  Pick-up  UPS Ground

**CONSTRUCTION**  
Wall Door \_\_\_\_\_ Top Drwr \_\_\_\_\_ Date Ordered: \_\_\_\_\_  
Base Door \_\_\_\_\_ Deep Drwr \_\_\_\_\_  
Wood \_\_\_\_\_ Finish \_\_\_\_\_  
 STD  All Plywood  Plywood Sides

**HINGING**  
 1/2" Cup SC  
 FO Cup SC  
 Euro FO SC

Full Inset Cup SC  
 BF Cup SC

3/8" Knife AB  
 3/8" Knife NK

SC = Soft-close; FO = Full Overlay; BF = Beaded Frame

Item #	Qty	Hinge	F.E.	Model #	Special Information

Subject to Terms & Conditions as stated in sales book.  
List in order: Walls, Bases, Talls, Vanities. Miscellaneous items last

Authorized Signature: \_\_\_\_\_

Job notes:



# Projected Ship Dates (PSD)

## Quick-ship items - 3 day PSD *(items not requiring finishing)*

- |                   |                    |                              |   |
|-------------------|--------------------|------------------------------|---|
| · Literature      | · Drawer tracks    | · Hinges                     | · Utility trays                                     |
| · Marketing tools | · Furniture polish | · Rollout tracks & pilasters | · Door catches                                      |
| · Sales aids      | · Stain            | · Order pads                 | · Sample blocks (with standard finish combinations) |
| · Shelf pins      | · Paint            | · Door bumpers               |   |
| · Touch-up kits   | · Putty sticks     | · Bread lids                 |   |

## J CO & Replacement PSD

Product	Code Blue <i>business days</i>	Code Red <i>business days</i>	Code Red Express <i>business days</i>
Stock molding, Solid stock, Valances, Paneling, Fillers, Shelves, Face frame only, Misc. Stock parts (not requiring vendor ordering) Standard cabinets (Case-only, No Doors/ drawers)	12 days	8 days	Straight / With Specialty Stain/Paint / Glaze 4 / 5 days
Doors, Drawer fronts, Cabinet fronts, Solid stock greater than 6" and/or 96"	19 days	12 days	
Standard cabinets (with doors & drawers)	20 days	13 days	9 / 10 days
Drawer boxes, Rollouts, Mirrors	12 days		5 days
Custom molding	19 days	12 days	7 / 8 days
Corbels, Onlays, Posts, Bunn Feet, Legs, Enkeboll products, etc.	22 days		
Stanisci Wood hoods	27 days		
Stock sample doors/fronts			4 / 5 days
Non-stock sample doors/fronts	19 days		7 / 8 days

## Upcharges Limitations

	Code Blue	Code Red	Code Red Express
Upcharges	none	20%	20%
Limitations	3 cabs	10 items / 3 cabs	3 items / 1 cab

- 3 cabinet maximum on JCO orders. Over 3 cabinets must use Kitchen Order form and lead time.
- Add 2 days for custom cabinet design/quote
- Custom parts will extend lead-time (call ahead to check availability)
- Veneer doors are not available code red, except as samples

### Notes:

- 1) Lead-times for multiple item orders are calculated by longest lead-time item
- 2) All replacements are processed under Code Red & are exempt from quantity limitations
- 3) Days listed are business days until shipment date. The business day count begins on the day the order is received complete & enterable before 2pm. Sign-off orders will begin lead time count from date sign-off is received (Questions, changes or incomplete information will delay the beginning received date.)
- 4) Projected Ship Date (PSD) is the date the order LEAVES Candlelight. This will be reflected on your acknowledgement
- 5) Shipping times will be in addition to the days listed
- 6) Order specifying truck will ship on next available truck to distribution center based on PSD
- 7) PLEASE REVIEW ADDITIONAL DETAILS ON ORDERING PROCEDURES PAGE IN SPEC BOOK



# Replacement Order Form

For items being replaced under warranty or due to shipping damage.  
Shipping damage must be claimed within 30 days. (See page 2.2)

In many cases we will ask for picture documentation to help improve our internal quality and accountability. Please be prepared to provide photographs.

Original Acknowledgement # \_\_\_\_\_

Original Purchase Order # \_\_\_\_\_

Sold to \_\_\_\_\_

Page \_\_\_\_\_ of \_\_\_\_\_

Ship to \_\_\_\_\_

Custom Built for \_\_\_\_\_

Customer Account # \_\_\_\_\_

Purchase Order # \_\_\_\_\_

Salesperson \_\_\_\_\_

Ship Via:  Candlelight Truck  UPS  Common Carrier  Pick-up

CONSTRUCTION

Wall Door \_\_\_\_\_ Top Drwr \_\_\_\_\_ Date Ordered: \_\_\_\_\_

Base Door \_\_\_\_\_ Deep Drwr \_\_\_\_\_

Wood \_\_\_\_\_ Finish \_\_\_\_\_

STD  All Plywood  Plywood Sides

HINGING

1/2" Cup SC

Full Inset Cup SC

3/8" Knife AB

FO Cup SC

BF Cup SC

3/8" Knife NK

Euro FO SC

SC = Soft-close; FO = Full Overlay; BF = Beaded Frame

Item #	Qty	Hinge	F.E.	Model #	Special Information

Explain: \_\_\_\_\_  
\_\_\_\_\_  
\_\_\_\_\_

Subject to Terms & Conditions as stated in sales book. Authorized Signature: \_\_\_\_\_



# Quick Quote

Visit [extranet.candlelightcab.net](http://extranet.candlelightcab.net) for online quotes

Upper Door Style \_\_\_\_\_, Cost per door \$ \_\_\_\_\_  
 Lower Door Style \_\_\_\_\_, Cost per door \$ \_\_\_\_\_  
 Upper Drwr \_\_\_\_\_, Cost per drwr \$ \_\_\_\_\_  
 Lwr Drwr \_\_\_\_\_, Cost per drwr \$ \_\_\_\_\_  
 Hinge \_\_\_\_\_, Cost per door \$ \_\_\_\_\_  
 Wood \_\_\_\_\_, Percentage upcharge \$ \_\_\_\_\_  
 Finish \_\_\_\_\_, Percentage upcharge \$ \_\_\_\_\_

**Construction:**

- STD (0%)  
 All Plywood (13%)  
 Plywood Sides (5%)

Dealer \_\_\_\_\_  
 Salesperson \_\_\_\_\_  
 Custom Quote for: \_\_\_\_\_  
 Page \_\_\_\_ of \_\_\_\_

**Job notes**

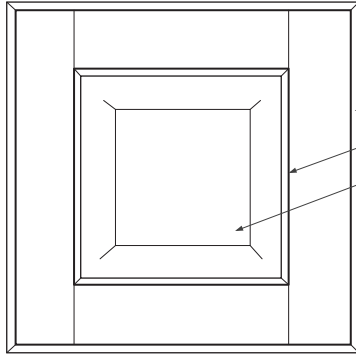
#	Items	A	B	C	D	E F G			H
		Case \$	#Upper doors	#Lower doors	Opt. 5-pc Drwr	Finished ends Wall Base Tall			Accessories <small>Accessories priced as % are taken from Case \$ (A)</small>
<b>Totals</b>									

- 1) Total of column A..... \$ \_\_\_\_\_
- 2) Total # Wall finished ends (column E) \_\_\_\_\_ x \$52 = \_\_\_\_\_ \$ \_\_\_\_\_
- 3) Total # Base finished ends (column F) \_\_\_\_\_ x \$82 = \_\_\_\_\_ \$ \_\_\_\_\_
- 4) Total # Tall finished ends (column G) \_\_\_\_\_ x \$181 = \_\_\_\_\_ \$ \_\_\_\_\_
- 5) **Subtotal (#1 + #2 + #3 + #4) = \_\_\_\_\_ \$ \_\_\_\_\_**
- 6) **Wood upcharge = #5 (Subtotal) x \_\_\_\_\_% (from top) = \_\_\_\_\_ \$ \_\_\_\_\_**
- 7) **Finish upcharge = #5 (Subtotal) x \_\_\_\_\_% (from top) = \_\_\_\_\_ \$ \_\_\_\_\_**
- 8) **Construction upcharge = #1 (Total Column A) x \_\_\_\_\_% (from top) = \_\_\_\_\_ \$ \_\_\_\_\_**
- 9) Total of Column B \_\_\_\_\_ x \$\_\_\_\_\_ (Upper door) + \$\_\_\_\_\_ (Hinge) = \_\_\_\_\_ \$ \_\_\_\_\_
- 10) Total of Column C \_\_\_\_\_ x \$\_\_\_\_\_ (Lower door) + \$\_\_\_\_\_ (Hinge) = \_\_\_\_\_ \$ \_\_\_\_\_
- 11) Total of Column D \_\_\_\_\_ x \$\_\_\_\_\_ (Drwr) = \_\_\_\_\_ \$ \_\_\_\_\_
- 12) Accessories and Modifications total (Total Column H) = \_\_\_\_\_ \$ \_\_\_\_\_
- Total list (#5 + #6 + #7 + #8 + #9 + #10 + #11 + #12) = \_\_\_\_\_ \$ \_\_\_\_\_**
- Freight Charge = #1 (Total Column A) x \_\_\_\_\_% (Dealer Freight Rate. No discount, Net freight) \_\_\_\_\_ \$ \_\_\_\_\_



# Custom Door Form

For job \_\_\_\_\_ Hinge \_\_\_\_\_



## Upper door

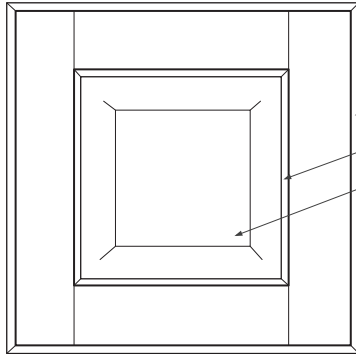
Wood specie \_\_\_\_\_  
Edge profile\* \_\_\_\_\_  
Framing bead\* \_\_\_\_\_  
Panel raise\* \_\_\_\_\_  
Door design \_\_\_\_\_

3/4" thick

1" thick

List price \_\_\_\_\_

*Special instructions:*



## Lower door Same as upper

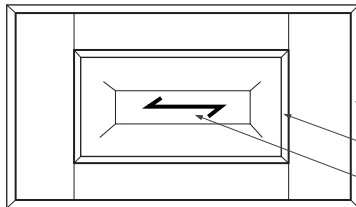
Wood specie \_\_\_\_\_  
Edge profile\* \_\_\_\_\_  
Framing bead\* \_\_\_\_\_  
Panel raise\* \_\_\_\_\_  
Door design \_\_\_\_\_

3/4" thick

1" thick

List price \_\_\_\_\_

*Special instructions:*



## Upper (top) drawer

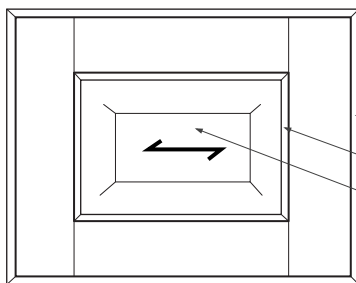
Wood specie \_\_\_\_\_  
Edge profile\* \_\_\_\_\_  
Framing bead\* \_\_\_\_\_  
Panel raise\* \_\_\_\_\_  
Drawer design \_\_\_\_\_

3/4" thick

1" thick

List price \_\_\_\_\_

*Special instructions:*



## Lower (deep) drawer Same as upper

Wood specie \_\_\_\_\_  
Edge profile\* \_\_\_\_\_  
Framing bead\* \_\_\_\_\_  
Panel raise\* \_\_\_\_\_  
Drawer design \_\_\_\_\_

3/4" thick

1" thick

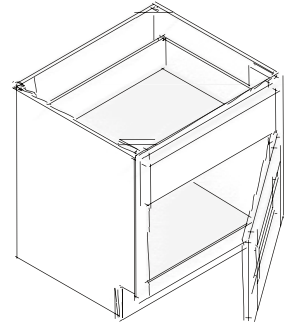
List price \_\_\_\_\_

*Special instructions:*

\* See available design options (p. 7.48)



# Custom Quotation Form



Job name \_\_\_\_\_  
 Dealer name \_\_\_\_\_  
 Salesperson \_\_\_\_\_  
 Email \_\_\_\_\_

Date \_\_\_\_\_

**NOTE: This quotation does not include wood, finish, construction or door upcharges. Please add charges for each.**

**Items for quote:**

---



---



---



---



---



---

**Please provide sketch(es) below:**





# Custom Color Match Request

I am supplying the following for a custom finish match to be prepared:

Manufacturer: \_\_\_\_\_

Color #: \_\_\_\_\_

Color Name: \_\_\_\_\_

Description of piece sent to match: \_\_\_\_\_  
 \_\_\_\_\_

Door style: \_\_\_\_\_

\* See notes in "Policies and Procedures for Custom Color Match", see page 6.5

**Please send a physical sample or color swatch, as not sending one can delay the matching process.**

Please sign below stating that you have read and agree to all of the terms and conditions noted in the "Policies and Procedures for Custom Color Match" page (page 6.5).

Signature \_\_\_\_\_ Date \_\_\_\_\_

Dealer \_\_\_\_\_

Designer \_\_\_\_\_

Job Reference \_\_\_\_\_

PO# \_\_\_\_\_

Please mail samples to the address below, Attn: Custom Color Match Department



# Return Form

Attn: \_\_\_\_\_

Acknowledgement # \_\_\_\_\_

If item is to be sent back, Ship to Address

Job name \_\_\_\_\_

\_\_\_\_\_

Dealer acct# \_\_\_\_\_

\_\_\_\_\_

Date \_\_\_\_\_

\_\_\_\_\_

Contact \_\_\_\_\_

\_\_\_\_\_

Item(s) being returned

\_\_\_\_\_  
\_\_\_\_\_  
\_\_\_\_\_  
\_\_\_\_\_  
\_\_\_\_\_

Reason for return

\_\_\_\_\_  
\_\_\_\_\_  
\_\_\_\_\_  
\_\_\_\_\_  
\_\_\_\_\_  
\_\_\_\_\_  
\_\_\_\_\_  
\_\_\_\_\_  
\_\_\_\_\_  
\_\_\_\_\_  
\_\_\_\_\_

**Office use**

Charge back to dealer: Yes [ ] No [ ]

If Yes, amount to bill: \_\_\_\_\_

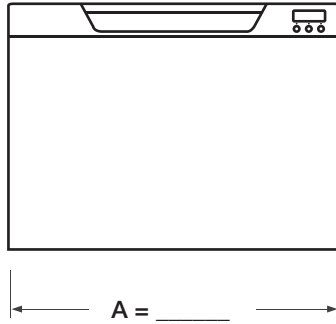
# Dish Drawer Cabinet Worksheet

For pricing, see page 9.6  
 Fronts for dish drawers may be priced as loose doors or 5 pc. front. (see page 15.2)

## 1 Gather Dish Drawer Specs

Manufacturer  
 \_\_\_\_\_

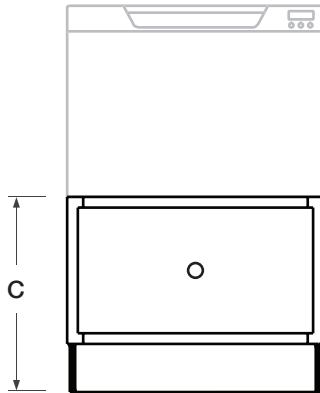
Model  
 \_\_\_\_\_



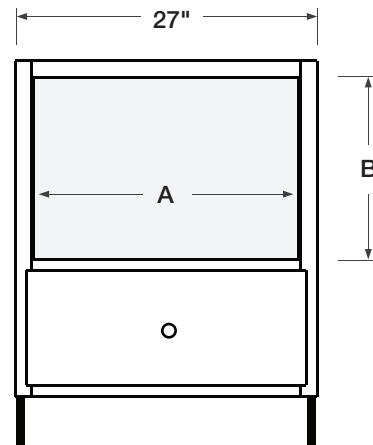
B\* = \_\_\_\_\_

\*Note: Cavity height recommended by manufacturer, not product dimension

## 2 Choose Application



FP24  
 C = 34-1/2" - B



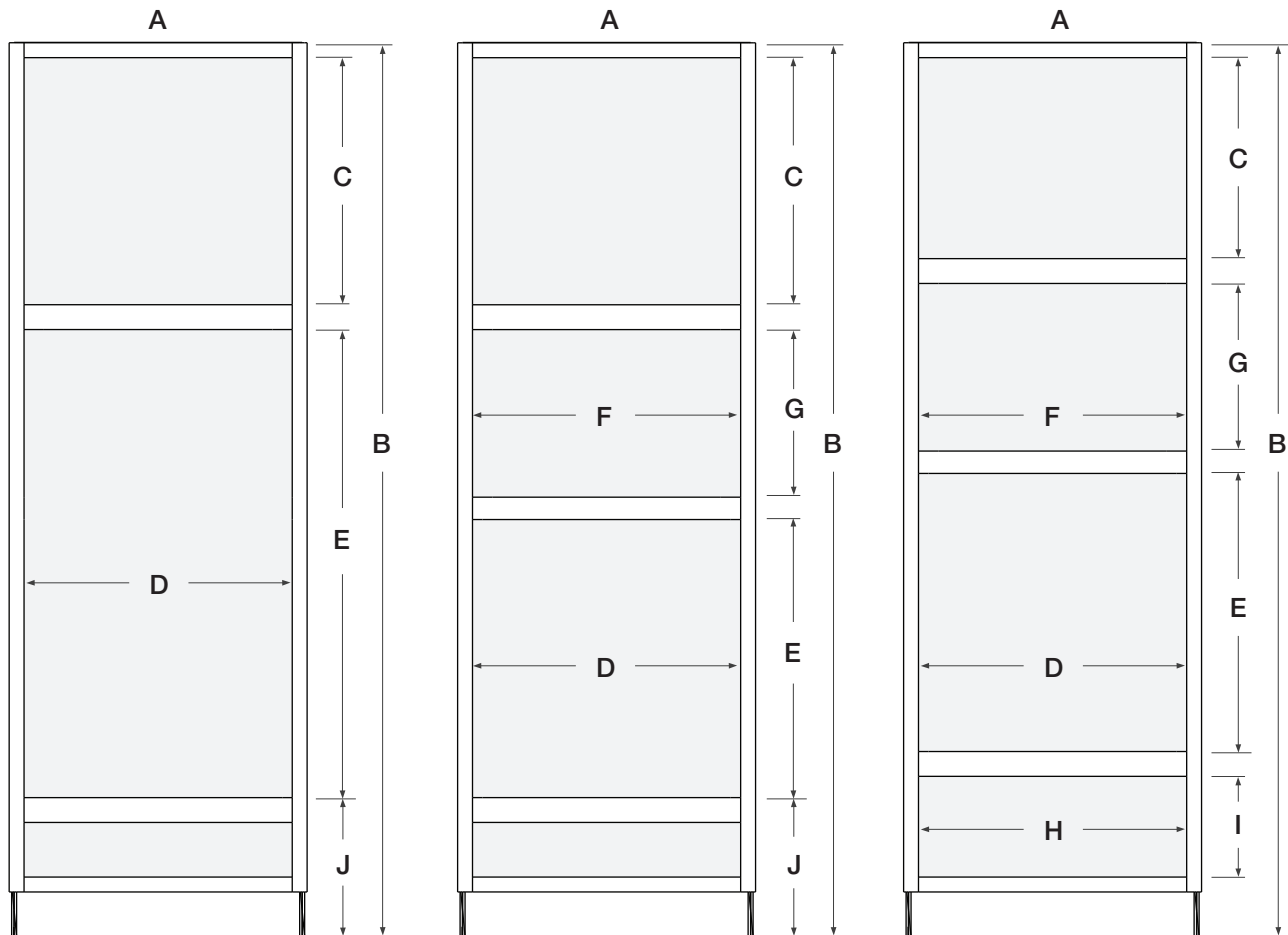
FPT27



# Oven Cabinet Cutout worksheet

Overall dimensions: A \_\_\_\_\_ wide x B \_\_\_\_\_ high  
 Top opening: C \_\_\_\_\_ high  
 Oven opening: D \_\_\_\_\_ wide x E \_\_\_\_\_ high, J \_\_\_\_\_ Above Finish Floor (AFF)  
 Microwave opening: F \_\_\_\_\_ wide x G \_\_\_\_\_ high  
 Bottom opening/  
 Warming drawer: H \_\_\_\_\_ wide x I \_\_\_\_\_ high. **Doors:** Yes \_\_\_\_\_ or No \_\_\_\_\_

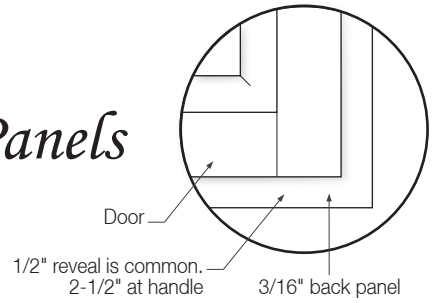
Specify middle rail width (2-1/4" standard if not specified): \_\_\_\_\_



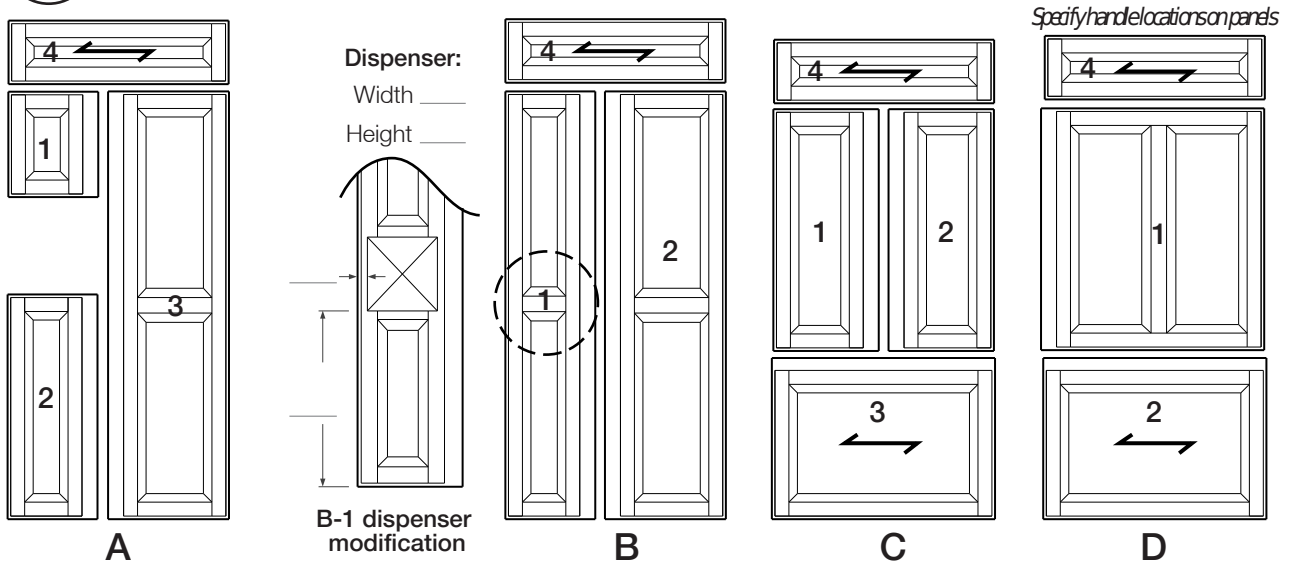
# Refrigerator Designer Panels

## Framed Style - RFDPxxF

For pricing, see page 10.9



**1** Circle refrigerator style. Add door charge for each door. (←→ = grain direction)



2	Backer panel dimensions	Door panel dimensions	Specify reveals
1)	Width _____ Height _____	Width _____ Height _____	L _____ R _____ T _____ B _____
2)	Width _____ Height _____	Width _____ Height _____	L _____ R _____ T _____ B _____
3)	Width _____ Height _____	Width _____ Height _____	L _____ R _____ T _____ B _____
4)	Width _____ Height _____	Width _____ Height _____	L _____ R _____ T _____ B _____

**3** Write special instructions below (if any)

**(This worksheet must be submitted with each order)**

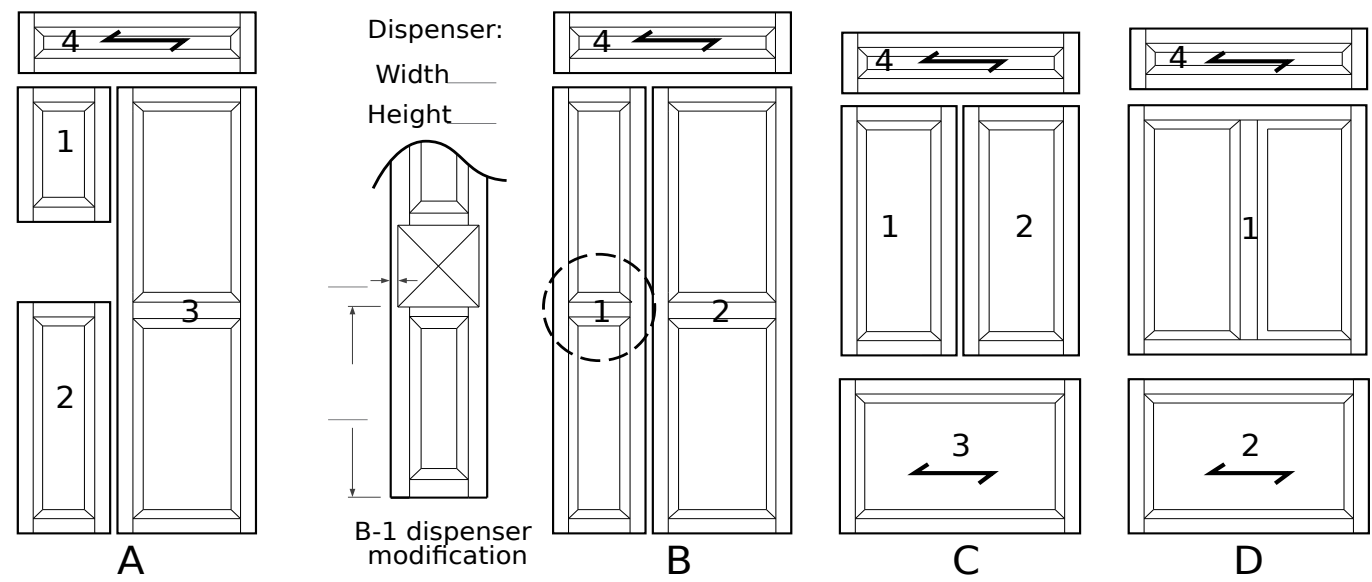


# Refrigerator Designer Panels

## Door only - RFDPxxD

For pricing, see page 10.9

**1** Circle refrigerator style. Add door charge for each door. (↔ = grain direction)



**2** Door panel dimensions

- 1) Width \_\_\_\_\_ Height \_\_\_\_\_
- 2) Width \_\_\_\_\_ Height \_\_\_\_\_
- 3) Width \_\_\_\_\_ Height \_\_\_\_\_
- 4) Width \_\_\_\_\_ Height \_\_\_\_\_

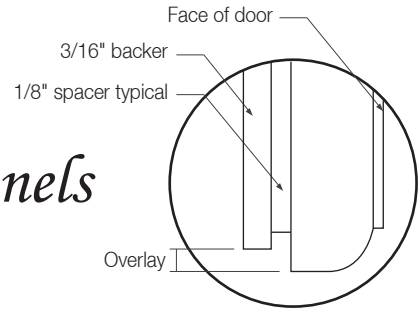
**3** Write special instructions below (if any)

(This worksheet must be submitted with each order)

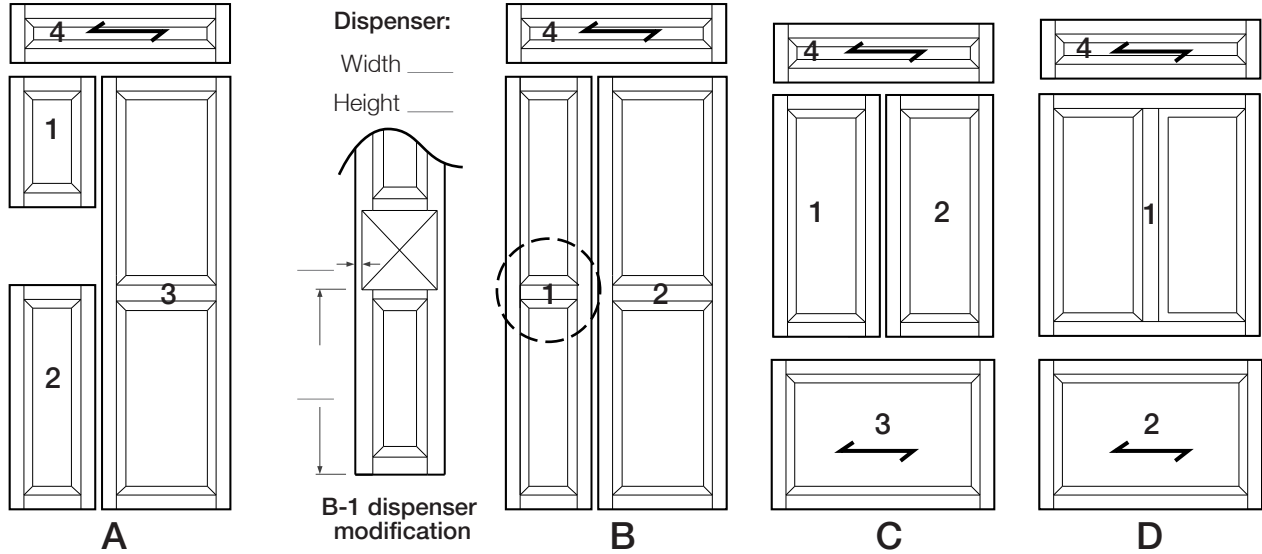
# Refrigerator Designer Panels

## Overlay - RFDPxxO

For pricing, see page 10.9



**1** Circle refrigerator style. Add door charge for each door. (↔ = grain direction)



<b>2</b>	Backer panel dimensions	Door panel dimensions	Specify overlay
1)	Width _____ Height _____	Width _____ Height _____	L _____ R _____ T _____ B _____
2)	Width _____ Height _____	Width _____ Height _____	L _____ R _____ T _____ B _____
3)	Width _____ Height _____	Width _____ Height _____	L _____ R _____ T _____ B _____
4)	Width _____ Height _____	Width _____ Height _____	L _____ R _____ T _____ B _____

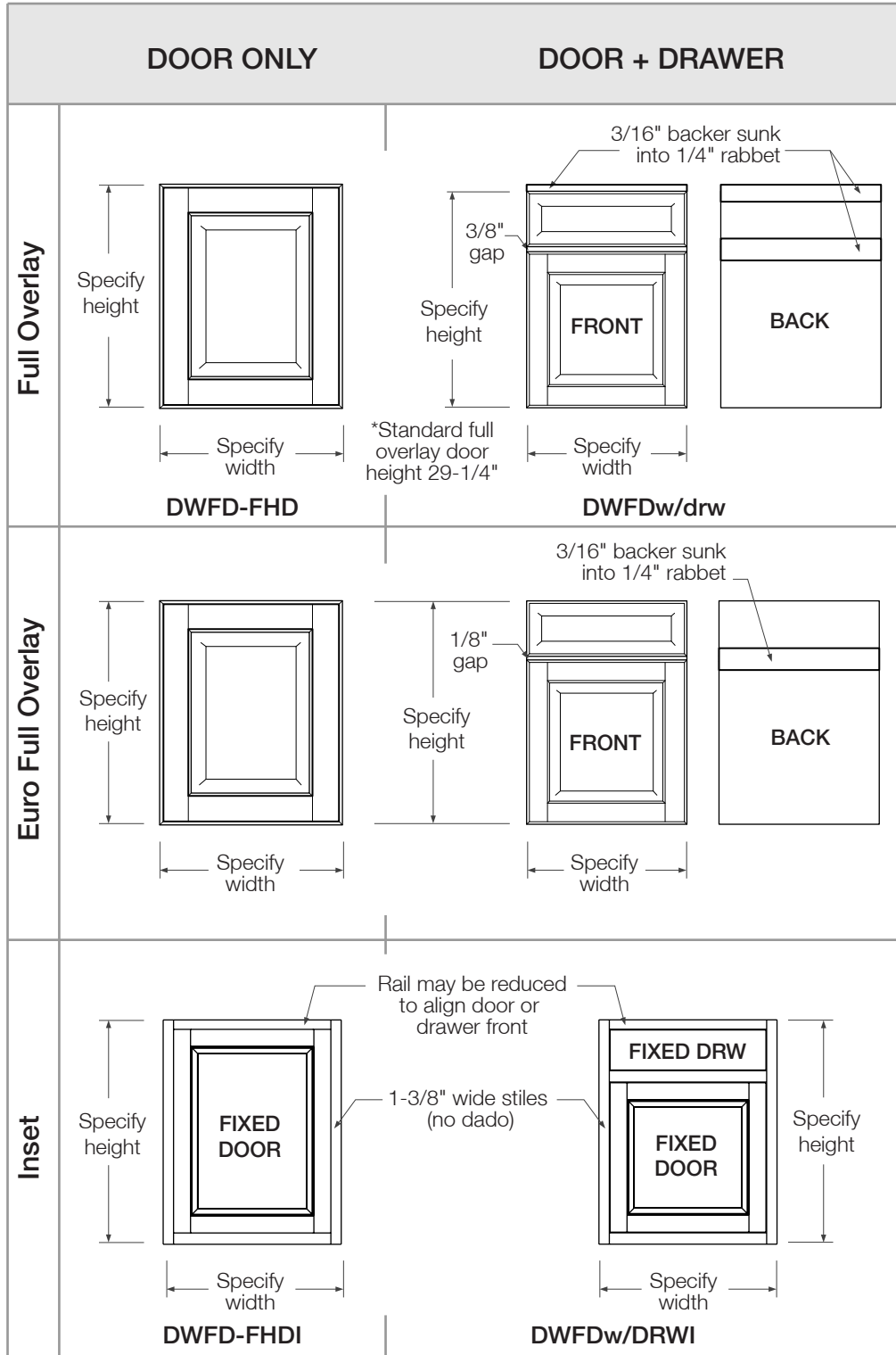
**3** Write special instructions below (if any)

**(This worksheet must be submitted with each order)**



# Dishwasher Panel Worksheet

Add door and drawer upcharges  
For pricing, see page 9.25





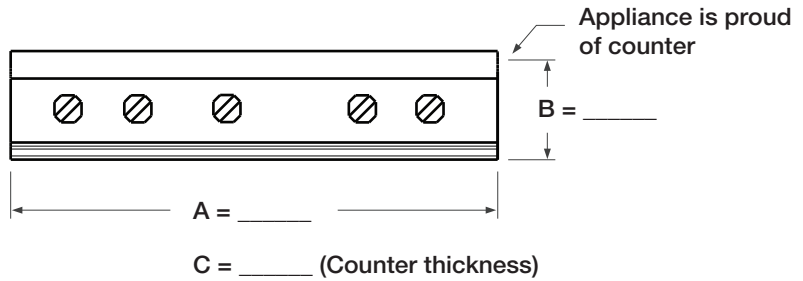
# Deep Range Base Worksheet

For pricing, see page 9.6

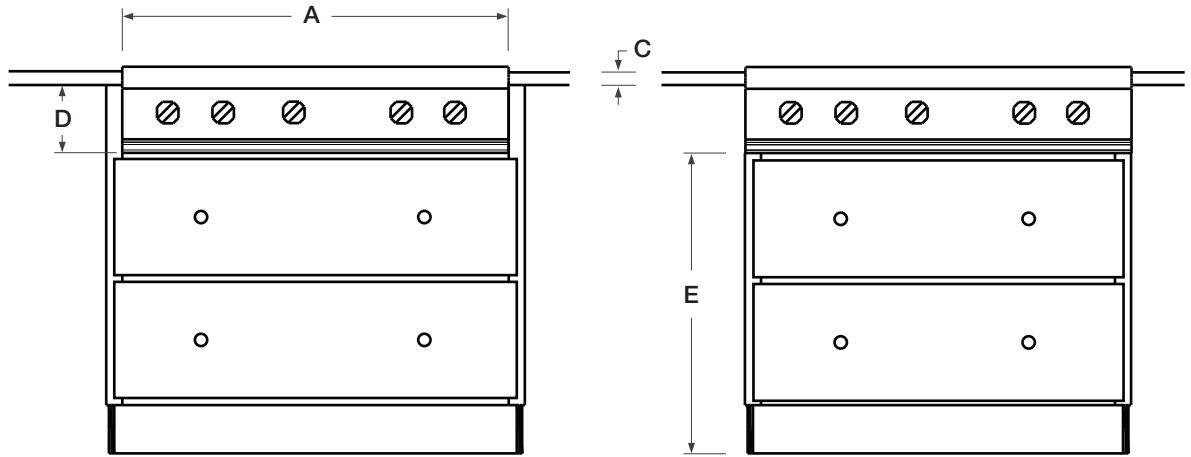
## 1 Gather Information

Manufacturer \_\_\_\_\_

Model \_\_\_\_\_



## 2 Choose Application

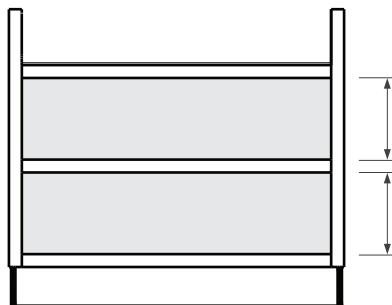


$$D = B - C$$

$$E = 34\text{-}1/2" + C - B$$

Note: Cabinet width must be 1-1/2" larger than dimension A

## 3 Specify Drawer Openings



- Same as BD\_.03 (Top rail increased)
- Bottom same as BD\_.03
- Equal



# Farmers Sink Base WorkSheet

For pricing, see page 9.4  
Fronts for drawers may be priced as loose doors or 5 pc. front. (see page 15.2)

## 1 Gather Information

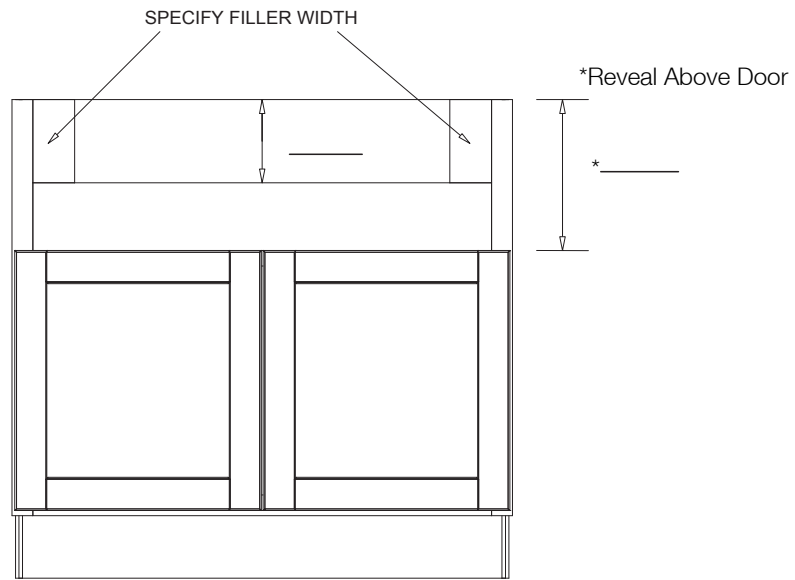
Manufacturer

Model

\_\_\_\_\_

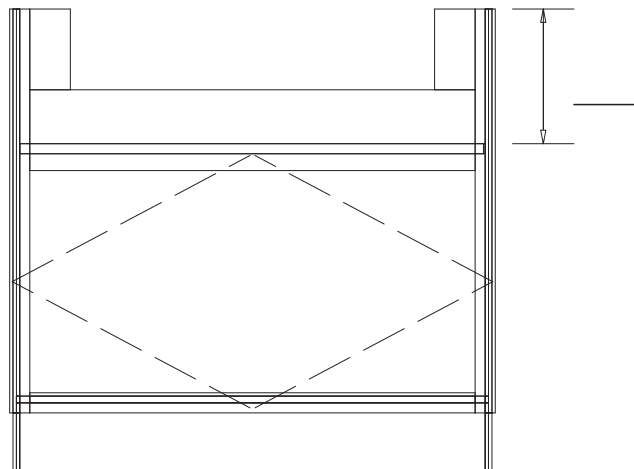
\_\_\_\_\_

## 2 Specify Layout



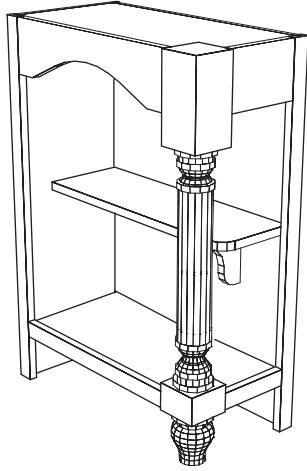
A

## 3 Specify Shelf Placement



# 1/4 Table leg base end shelf worksheet

For pricing, see page 9.18



TLBQS2512 Unit will be 12" wide x 24" deep x 34-1/2" high. Unit cannot be made over 34-1/2" high. Minimum 31-1/2" high (add \$294 for size modification).

Price includes table leg and valance selection. Unit must be built with Tulip bunn foot.

Add 25% for Wainscoat interior.

1 Please select LEFT or RIGHT

2 Please circle Table Leg selection:

3 Please circle Valance selection:



**GRP**  
(Greco  
Roman Plain)



**GRF**  
(Greco  
Roman Fluted)



**GRR**  
(Greco  
Roman Rope)



RA Valance



A Valance



STR Valance



FV Valance

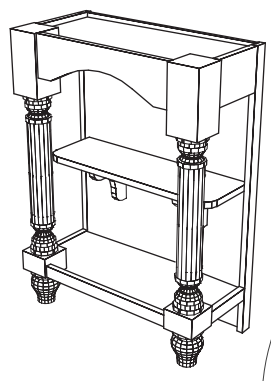
4 Built with Wainscoat Interior? YES  NO

(Remember to Add 25%)

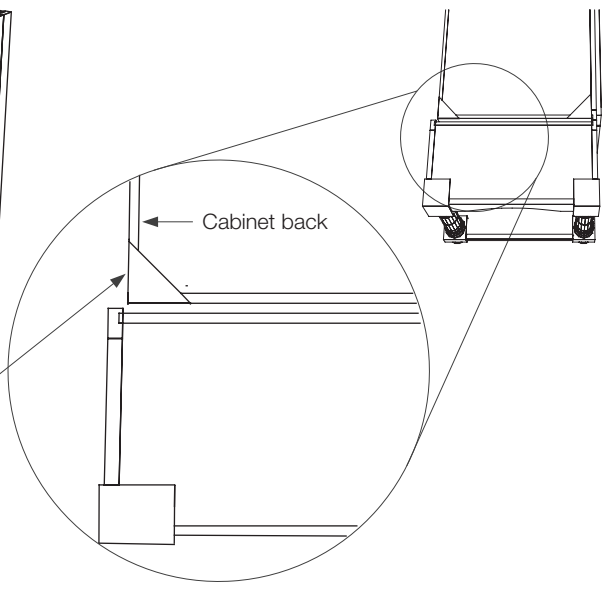


# 1/2 Table leg base end shelf worksheet

For pricing, see page 9.18



Build out cabinet back to bring flush with adjoining TLBHS2512



TLBHS2512 Unit will be 12" wide x 25" deep x 34-1/2" high. Unit cannot be made over 34-1/2" high. Minimum 31-1/2" high (add \$294 for height modification).

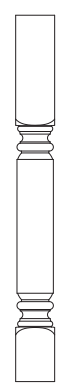
Price includes table leg and valance selection. Unit must be built with Tulip bunn foot.

Add 25% for Wainscoat interior

Unit is built 25" deep, back of adjoining island must be built out to 25". This allows for Designer Panel, Wainscoat Boards, Cross Grain Panels or 3/16" panels to be applied to back of island

1 Please circle Table Leg selection:

2 Please circle Valance selection:



**GRP**  
(Greco Roman Plain)



**GRF**  
(Greco Roman Fluted)



**GRR**  
(Greco Roman Rope)



RA Valance



A Valance



STR Valance



FV Valance

3 Built with Wainscoat Interior? YES  NO

(Remember to Add 25%)

# Wood Hood Profiles Worksheet

Available Panel & Frame Profiles

## FRAME



Regular (441)



Ogee (443)

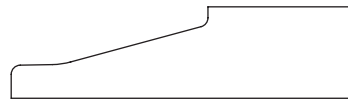


Square (445)

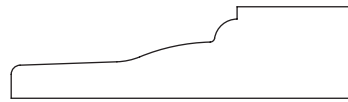


Elite (448)

## RAISE



Slant (Basic)



M-bead (Bead)



G-cove (Cove)



RM-raise (Ogee)



P-057 (Flat)

**Note: Mitred doors not available. Please review with your customer and select the closest match to the door on your order**



# Recommended Finishes/Samples Worksheet

Our 210 top selling, recommended wood/finish combinations are included in our standard sample block set. In addition to these combinations, all other standard combinations are available. However, sample doors must be ordered to show these finishes. Please use this worksheet to inventory and re-order sample blocks as necessary.

Sold To: \_\_\_\_\_

Ship To: \_\_\_\_\_

PO: \_\_\_\_\_

Contact: \_\_\_\_\_

**Cherry Stains**

- \_\_\_ Natural
- \_\_\_ Honey Glow
- \_\_\_ Sundance
- \_\_\_ Burnished
- \_\_\_ Autumn Glow
- \_\_\_ Espresso
- \_\_\_ Embers
- \_\_\_ Burgundy
- \_\_\_ Brownstone
- \_\_\_ Slate
- \_\_\_ Driftwood
- \_\_\_ Truffle
- \_\_\_ Terra Nova
- \_\_\_ Merlot
- \_\_\_ Java
- \_\_\_ American Vintage
- \_\_\_ French Roast

**Cherry Sable Glaze**

- \_\_\_ Burnished
- \_\_\_ Embers
- \_\_\_ Burgundy
- \_\_\_ Merlot

**Cherry Nutmeg Accent**

- \_\_\_ Honey Glow
- \_\_\_ Burnished
- \_\_\_ Burgundy
- \_\_\_ Merlot

**Cherry Licorice Accent**

- \_\_\_ Honey Glow
- \_\_\_ Burnished
- \_\_\_ Embers
- \_\_\_ Burgundy
- \_\_\_ Brownstone
- \_\_\_ Merlot
- \_\_\_ Terra Nova
- \_\_\_ Truffle

**Cherry Allspice Accent**

- \_\_\_ Honey Glow
- \_\_\_ Sundance
- \_\_\_ Autumn Glow
- \_\_\_ Burnished

**Bamboo**

- \_\_\_ Natural

**Maple Stains**

- \_\_\_ Natural
- \_\_\_ Honey Glow
- \_\_\_ Sundance
- \_\_\_ Oasis
- \_\_\_ Burnished
- \_\_\_ Brownstone
- \_\_\_ Autumn Glow
- \_\_\_ Espresso
- \_\_\_ Embers
- \_\_\_ American Vintage
- \_\_\_ Burgundy
- \_\_\_ French Roast
- \_\_\_ Java
- \_\_\_ Merlot
- \_\_\_ Terra Nova
- \_\_\_ Truffle
- \_\_\_ Driftwood
- \_\_\_ Slate
- \_\_\_ Graystone

**Maple Nutmeg Accent**

- \_\_\_ Natural
- \_\_\_ Honey Glow
- \_\_\_ Oasis
- \_\_\_ Burnished
- \_\_\_ Burgundy
- \_\_\_ Merlot

**Maple Licorice Accent**

- \_\_\_ Burnished
- \_\_\_ Embers
- \_\_\_ Burgundy
- \_\_\_ Brownstone
- \_\_\_ Merlot
- \_\_\_ Terra Nova
- \_\_\_ Truffle
- \_\_\_ Driftwood
- \_\_\_ Graystone

**Maple Allspice Accent**

- \_\_\_ Honey Glow
- \_\_\_ Sundance
- \_\_\_ Autumn Glow
- \_\_\_ Burnished

**Maple Sable Glaze**

- \_\_\_ Burnished
- \_\_\_ Embers
- \_\_\_ Burgundy
- \_\_\_ Merlot

**Hickory Stains**

- \_\_\_ Natural
- \_\_\_ Honey Glow
- \_\_\_ Sundance
- \_\_\_ Burnished
- \_\_\_ Brownstone
- \_\_\_ Espresso
- \_\_\_ American Vintage
- \_\_\_ Terra Nova
- \_\_\_ Merlot
- \_\_\_ Truffle
- \_\_\_ Slate

**Hickory Accents/Glazes**

- \_\_\_ Burnished Licorice
- \_\_\_ Carmelized Hickory
- \_\_\_ Brownstone Licorice

**Red Oak Stains**

- \_\_\_ Natural
- \_\_\_ Honey Glow
- \_\_\_ Sundance
- \_\_\_ Burnished
- \_\_\_ Brownstone
- \_\_\_ Espresso
- \_\_\_ Embers
- \_\_\_ Terra Nova
- \_\_\_ Truffle
- \_\_\_ French Roast
- \_\_\_ Java

**Red Oak Licorice Accent**

- \_\_\_ Burnished
- \_\_\_ Brownstone

**Walnut Stains**

- \_\_\_ Natural
- \_\_\_ Espresso
- \_\_\_ Embers
- \_\_\_ Merlot
- \_\_\_ French Roast
- \_\_\_ Truffle

**Veneer Blocks - Natural**

- \_\_\_ Quartered Cherry
- \_\_\_ Quartered Maple
- \_\_\_ Rist Cut Red Oak
- \_\_\_ Rift Cut White Oak



# Recommended Finishes/Samples Worksheet

Sold To: \_\_\_\_\_

Ship To: \_\_\_\_\_

PO: \_\_\_\_\_

Contact: \_\_\_\_\_

### Solid Paints

- \_\_\_ Aurora White
- \_\_\_ Black
- \_\_\_ Blue Jay
- \_\_\_ Midnight Blue
- \_\_\_ Crème Brûlée
- \_\_\_ Designer's White
- \_\_\_ English Linen
- \_\_\_ Flagstone
- \_\_\_ Graphite
- \_\_\_ Nickel City Silver
- \_\_\_ Red Delicious
- \_\_\_ Sagebrooke
- \_\_\_ Snowflake
- \_\_\_ Sterling Grey
- \_\_\_ Stonehenge
- \_\_\_ Tranquil Taupe
- \_\_\_ Victorian White
- \_\_\_ White Lily
- \_\_\_ White Pewter

### Mason Antique No Sandoff

- \_\_\_ Snowflake
- \_\_\_ Aurora White
- \_\_\_ English Linen
- \_\_\_ Victoria White
- \_\_\_ White Pewter
- \_\_\_ Nickel City Silver

### Licorice Antique No Sandoff

- \_\_\_ Snowflake
- \_\_\_ Aurora White
- \_\_\_ Tranquil Taupe
- \_\_\_ English Linen
- \_\_\_ Victorian White
- \_\_\_ White Pewter

### Allspice Antique No Sandoff

- \_\_\_ Snowflake
- \_\_\_ Aurora White
- \_\_\_ English Linen
- \_\_\_ Victorian White
- \_\_\_ White Pewter

### Mason Antique Sandoff

- \_\_\_ Snowflake
- \_\_\_ Aurora White

### Allspice Antique Sandoff

- \_\_\_ Snowflake
- \_\_\_ Aurora White
- \_\_\_ White Pewter
- \_\_\_ Black
- \_\_\_ Blue Jay
- \_\_\_ Tranquil Taupe

### Licorice Antique Sandoff

- \_\_\_ Snowflake

### Mason Ant. Dist. Sandoff

- \_\_\_ White Pewter

### Licorice Ant. Dist. Sandoff

- \_\_\_ Aurora White

### Allspice Ant. Dist. Sandoff

- \_\_\_ White Pewter

### Da Vinci Effect

- \_\_\_ Aurora White
- \_\_\_ English Linen

### Vienna Effect

- \_\_\_ White Pewter
- \_\_\_ Nickel City Silver
- \_\_\_ Tranquil Taupe

### Parisian Effect

- \_\_\_ Blue Jay
- \_\_\_ Red Delicious

### Red Birch Stains

- \_\_\_ Natural
- \_\_\_ Honey Glow
- \_\_\_ Sundance
- \_\_\_ Autumn Glow
- \_\_\_ Burnished
- \_\_\_ Espresso
- \_\_\_ Embers
- \_\_\_ American Vintage
- \_\_\_ Truffle
- \_\_\_ Driftwood
- \_\_\_ Terra Nova
- \_\_\_ Slate

### Red Birch Accents/Glazes

- \_\_\_ Sundance Allspice Accent
- \_\_\_ Burnished Licorice Accent

### QS White Oak Stains

- \_\_\_ Natural
- \_\_\_ Burnished
- \_\_\_ Brownstone
- \_\_\_ Sundance
- \_\_\_ Embers
- \_\_\_ Honey Glow
- \_\_\_ Espresso
- \_\_\_ Autumn Glow
- \_\_\_ American Vintage
- \_\_\_ French Roast
- \_\_\_ Terra Nova
- \_\_\_ Truffle
- \_\_\_ Driftwood
- \_\_\_ Slate

### QS White Oak Accents/Glazes

- \_\_\_ Brownstone Licorice
- \_\_\_ Burnished Licorice Accent
- \_\_\_ Driftwood Licorice Accent
- \_\_\_ Burnished Sable Glaze
- \_\_\_ Sundance Allspice Accent

### Rustic Hickory Weathered

- \_\_\_ Driftwood Licorice Accent
- \_\_\_ Natural Nutmeg Accent
- \_\_\_ Terra Nova Licorice Accent

### Rustic Red Oak Weathered

- \_\_\_ Driftwood Licorice Accent
- \_\_\_ Natural Nutmeg Accent
- \_\_\_ Terra Nova Licorice Accent



# Sample Door Order Form - In stock

- All prices inclusive of door style, hinge, wood and finish upcharges.
- Allow five business days plus shipping.
- Heirloom & Weathered finishes not available

Dealer \_\_\_\_\_ Job Name \_\_\_\_\_  
 City \_\_\_\_\_ State \_\_\_\_\_ Purchase Order # \_\_\_\_\_  
 Salesperson \_\_\_\_\_ Ordered \_\_\_\_\_

**Option 1 - Any door or drawer front similar to...**

Doors \$170 LIST. Drawer fronts \$96 LIST

Style\* \_\_\_\_\_; Wood \_\_\_\_\_; Color \_\_\_\_\_

\*Candlelight will inform you of the closest available door style

**Option 2 - Sample door from stock (13" x 16")**

\$170 LIST

Style ( Check one)  Classic Square  Elite Square  Shaker  
 Chatham Shaker  Nottingham Square

Wood (check one):  Paint Grade  Cherry  Maple

Finish Color \_\_\_\_\_

**Option 3 - Sample cabinet front from stock (15" x 24")**

\$387 LIST

Style ( Check one)  Classic Square FO  Elite Square FO  Shaker  
 Chatham Shaker FO  Nottingham Square

Wood (check one):  Paint Grade  Cherry  Maple

Finish Color \_\_\_\_\_

Sold to:	Ship to:
----------	----------

Shipping:  UPS Ground (3 days. \$20 average)  Next Day Air Saver (\$60 average)  Other \_\_\_\_\_

Authorized Signature: \_\_\_\_\_

Sample doors are 100% co-opable  
 No changes allowed.  
 Single door samples only.  
 Multiple samples N/A.  
 See JCO lead times.





# Sample Door Order Form - **NON STOCK**

- All prices inclusive of door style, hinge, wood and finish upcharges.
- Allow 8 business days plus shipping.

Dealer \_\_\_\_\_ Job Name \_\_\_\_\_  
 City \_\_\_\_\_ State \_\_\_\_\_ Purchase Order # \_\_\_\_\_  
 Salesperson \_\_\_\_\_ Date Ordered \_\_\_\_\_

Option 4 - Sample door (13" x 16") Standard with no hinge  
 \$218 LIST

Style \_\_\_\_\_; Wood \_\_\_\_\_; Color \_\_\_\_\_

Option 5 - Sample drawer front (12" x 6")  
 \$145 LIST

Drawer front style \_\_\_\_\_; Wood \_\_\_\_\_;  
 Color \_\_\_\_\_

Option 6 - Sample cabinet front (15" x 24")  
 \$387 LIST

Check one: Wall front  Base front

Hinging:

- |   |  |
|---|--|
| <input type="checkbox"/> 1/2" Cup SC        | <input type="checkbox"/> 3/8" Knife AB |
| <input type="checkbox"/> FO Cup SC          | <input type="checkbox"/> 3/8" Knife NK |
| <input type="checkbox"/> Euro FO SC*        |  |
| <input type="checkbox"/> Full Inset Cup SC* |  |
| <input type="checkbox"/> BF Cup SC*         |  |

\* Built as 6" deep cabinet box

Style \_\_\_\_\_; Wood \_\_\_\_\_; Color \_\_\_\_\_

Sold to:	Ship to:

Shipping:  UPS Ground (3 days. \$20 average)  Next Day Air Saver (\$60 average)  Other \_\_\_\_\_

Authorized Signature: \_\_\_\_\_

Sample doors are 100% co-opable  
 No changes allowed.  
 Single door samples only.  
 Multiple samples N/A.  
 See J CO lead times.

SDOF-J-2016

## Painted Finish Considerations

We recommend that the job site be clean and that installers take special care not to mar or smudge the finish.

Moldings that have to be face nailed are best puttied and then completely repainted. Candlelight offers paint for this purpose however, many painters prefer to use their own custom matched paint. The paint that we supply is not the same formulation we use in our finish process. Therefore some color and sheen variations should be expected. Always try paints and touch up on a scrap before applying to finished items.

The repainting of antiqued painted finishes is not practical in the field. Therefore, special care should be taken as to the location of the nails and the need to putty and conceal the holes. Candlelight can supply antiquing material as well as paint to help conceal the holes after filling.

Homeowners should understand the procedures to be used and have a realistic concept of the expected outcome. Authentic painted cabinetry provides the most realistic for this highly desirable trend in custom cabinetry.

Cabinetry should be inspected prior to installation. If any mars, smudges or dents are noticed, the door can be returned for repainting. Any mars on a cabinet case will have to be returned to the factory for rework. This can usually be completed in 7-10 days.

Candlelight Cabinetry warranty does not provide for touch-up in the field. Many kitchens require some touch-up. The kitchen dealer should have a touch-up person available. Field touch-up is not billable back to Candlelight.



## A FEW WORDS ABOUT OUR PAINTED FINISH

The highly desirable look of these painted cabinets can be best realized with the use of authentic hardwood construction offered by Candlelight Cabinetry. However, there are several characteristics of this cabinet that should be explained prior to your purchase.

- **Center Panels** – Recessed center panels are usually constructed of MDF (Medium Density Furniture core). This avoids the panel staves telegraphing with maple. However, maple center panels are available as an option.
- **Nicks and Chips** - Although the finish is state-of-the-art catalytic, the finish is still subject to chipping. When chips occur they can be touched up, however, the texture of the chip will still telegraph through the touch-up.
- **Mars and Scuffs** – Minor abrasions tend to show up more often because of the painted finish. These can be buffed, but are not always possible to remove. Sometimes in buffing, the area around the mar will end up with a different gloss than the rest of the cabinet.
- **Refinishing Individual Doors and Cabinets** – As each coat of finish is applied, the finish tends to change color making it impractical to attempt to refinish nicked or marred items.
- **Aging of Finishes** – We know of no finish that can be put on wood that will not change color over time. The catalyst added to the Candlelight finish before application is designed to help minimize these color changes. However, over a period of time the finish will change color.
- **Grain, Sand Marks and Joints Telegraphing** – Because wood is a natural material it is constantly expanding and contracting which can show up as a line the finish where joints are. Also, the shaping and sanding of wood is done by humans and therefore imperfect. These marks show up easily on a painted finish. Additionally, the wood grain patterns of the real wood will telegraph through the finish and be visible.
- **Shrinking of Door Panels** – Properly dried hardwood can still shrink and because the painted finish is sprayed, this could reveal unfinished wood. This can be touched up, but the line of the original finish and touch-up will show.
- **Painted Finishes Show Defects and Soil** – This goes without saying, however many people don't consider the chances for minor scuffs and chips a set of painted cabinets can have, especially on a construction site with carpenters, painters, plumbers, electricians tile and floor installers all working at once. These imperfections can be cleaned, buffed, and touched up, but in most cases not completely eliminated.
- **Replacement or Additional Cabinets & Parts** – Because paint is mixed in batches, each batch will vary slightly. Should additional items be ordered, the customer must be willing to accept these variations.

Having said all this we still believe that our Candlelight Cabinet offers the best way to achieve this very desirable look. Plastic or fiberboard doors just don't seem to look like the real thing. Furthermore, these products might prove even harder to touch up. Painted cabinets, like many other special products such as oriental carpets, marble and brassware are subject to variations and require special care. Perhaps this is actually one of the things that make them so special. It is our hope that this discussion of the Candlelight painted cabinets will give you the appreciation of the unique combination of natural beauty and charm available in the product.

John Yakich  
President

I HAVE CAREFULLY READ THE ABOVE INFORMATION AND UNDERSTAND THE NATURE AND LIMITATIONS OF CANDLELIGHT'S PAINTED FINISH.

Dealer Signature \_\_\_\_\_

Date \_\_\_\_\_

Customer Signature \_\_\_\_\_



**Accessories & Modifications**

3 Doors (2 door Cab)	3DR	5.7	Fluting	FL	5.34
4 Doors (2 door Cab)	4DR	5.7	Frame Modify	FM	5.26
Add Drawer	ADD	5.13	Frame on End - Fixed	FOE	5.19
Angled Back	AB	5.17	Frame on End - Message	FOE MSG	5.20
Angled Frame	AF	5.18	Full Depth Shelf	FDS	5.19
Angled Panel	AP	5.18	Glideware Pullout	GLP	5.36
Angled Style	AS	5.24	Heel	w/Heel	5.34
Aventos Lift System HK	ALS-HK	5.7	Hold Doors	HD	5.9
Aventos Lift System HL	ALS-HL	5.7	Integrated Designer Panel	IDP	5.20
Base Table leg	BTL	5.24	Knife Block	KNB	5.15
Bread Lid	BL	5.13	Lazy Susan Drawer System	BER-LSDS	5.35
Broom Partition	BPSK	5.35	Lid Stay	HTOP	5.9
Built-In Waste Bin	BIW	5.35	Lumber Edge	LE	5.20
Butcher Block in drawer	BBLOCK	5.13	Micro Cutout	BMCC	5.24
Butt Doors	BTD	5.8	Modification List		5.1
Cabinet Front Only	CFO	5.25	Mullion A	MUL-A	5.10
Case Only	CO	5.18	Mullion AC	MUL-AC	5.10
Chamfer Stile	CS	5.25	Mullion Arched	MUL-ARCH	5.10
Clipped Corner	CC	5.25	Mullion Bungalow	MUL-BUNG	5.10
Cloud	BC-CLOUD	5.34	Mullion Diamond	MUL-DIA	5.10
Combine Cabinets	COM	5.18	Mullion Door	MUL	5.9
Construction Method	CONST	5.19	Mullion Double Arch	MUL-CDAR	5.10
Coved Edge	CVED	5.25	Mullion Eclipse	MUL-ECL	5.11
Cutlery Divider	CD	5.14	Mullion Qtr Circle	MUL-QC	5.11
Cutting Board	CB	5.13	Mullion Swag	MUL-SWAG	5.11
Docking Drawer	DDRW	5.14	Mullion Tangent	MUL-TAN	5.11
Double Raised Panel	DRP	5.8	Mullion X	MUL-X	5.11
Double Raised Panel -2x2 Mul	DRP-PFI	5.8	Near Flush Finished End	FFE	5.31
Drawer Box Mods	MODIFY DR	5.15	No Toe	DTK	5.32
Electric Charging Station	ECS	5.14	Odd Overlay	OO	5.12
Enviro Baskets	BER-EVB	5.35	Oven Cutout	OCC	5.20
Extend Side Back	XSB	5.23	Partition	PAR	5.21
Extend Side Down	XSD	5.23	Peg Organizer	PO	5.16
Extend Side Up	XSU	5.24	Pegs - Square	PEGS	5.12
Extend Stile to Floor	XSTF	5.29	Peninsula Cabinet	Penn	5.26
Extended Stile	XS	5.28	Pipe Chase Cutout	PCC	5.21
Extended Top Rail	XTR	5.29	Pipe Chase Drawer	PCD	5.16
Finger Pulls	FPULL	5.9	Pocket Doors	PDR	5.12
Finish Back	FBK	5.30	Prep For Bunn Foot	PREPBF	5.33
Finish Cabinet Section	FCS	5.30	Prep For Insert	PFI	5.13
Finish Stile	RevS	5.26	Reduce or Increase Cab	REDUCE	5.22
Finished Bottom	FB	5.29	Reverse A Rack	RR	5.36
Finished End	FE	5.30	Rollout Shelf	ROS	5.37
Finished Interior	FI	5.31	Rollout Tray	ROT	5.38
Finished Toe Kick	FTK	5.32	Rollout Tray Divider	ROT-TD	5.38
Finished Top	FT	5.32	Shelves	OS	5.21
Fixed drawer divider	FDD	5.14	Shelves	OSH	5.21
Flush Beaded End	FBE	5.29	Ship Toe Loose	STL	5.33
Flush Beaded Wainscoat End	FBWE	5.30	Solid Blind	SBlind	5.26

Solid Dust Cover	SDC	5.22
Spice Drawer Insert	SD	5.16
Spice Rack	SR	5.36
Spindle Onlays	SPO	5.27
Square Column Onlay	SCO	5.27
Straight Toe Kick	STK	5.33
Toe Kick Drawer	TKD	5.16
Toe Notch Panel	TNP	5.33
Toe Space	TOE	5.34
Towel Bar	PTB	5.36
Tray Divider	TD	5.37
Universal Access	UAC	5.22
Utility Tilt-out Tray	UT	5.37
Valance Bottom Rail	VBR	5.27
Valance Top Rail	VTR	5.27
Valance as Toe	VTOE	5.23
Valance as Toe L/R	VTOE L/R	5.23
WD Stile	WDS	5.28
Wide Rail	WR	5.28
Wide Stile	WS	5.28
Wine Rack	WRFI	5.32
Wood Adj Cutley Divider	WACD	5.17
Wood Adj Drawer Divider	WADD	5.17
Wood Cutlery Two Tier	WCTT	5.37
Wood K-Cup Drawer	WKCD	5.17

Doors						
Abbr	SKU	Page	Description	Wall	Base	Tall
3DR	3_Doors	5.7	3 Doors (2 door Cab)	20%	20%	20%
4DR	4_Doors	5.7	4 Doors (2 door Cab)	15%	15%	15%
ALS-HK	ALS-HK	5.7	Aventos Lift System HK	\$655	-	\$655
ALS-HL	ALS-HL	5.7	Aventos Lift System HL	\$1,022	-	\$1,022
BTD	BTD	5.8	Butt Doors	\$0	\$0	\$0
DRP	DRP-A Door	5.8	Double Raised Panel	\$91	\$91	\$91
	DRP-C Door	5.8	Double Raised Panel	\$182	\$182	\$182
DRP-PFI	DRP-2x2-A Door	5.8	Double Raised Panel -2x2 Mul	\$382	\$382	\$382
	DRP-2x2-C Door	5.8	Double Raised Panel -2x2 Mul	\$474	\$474	\$474
	DRP-PFI-A Door	2.4	Double Raised Panel -PFI	\$134	\$134	\$134
	DRP-PFI-C Door	2.4	Double Raised Panel -PFI	\$224	\$224	\$224
	DRP-X-A Door	2.4	Double Raised Panel -AC	\$500	\$500	\$500
	DRP-X-C Door	2.4	Double Raised Panel -AC	\$592	\$592	\$592
FPULL	Finger Pull	5.9	Finger Pulls	\$40	\$40	\$40
HD	HDD 1"	5.9	Hold Doors Down 1"	\$0	-	\$0
	HDU 1"	5.9	Hold Doors Up 1"	\$0	-	\$0
HTOP	Lid_Stay_Dual_1PNL	5.9	Lid Stay	\$284	-	\$284
	Lid_Stay_Dual_2PNL	5.9	Lid Stay	\$375	-	\$375
	Lid_Stay_Single	5.9	Lid Stay	\$142	-	\$142
MUL	MUL 12-24 High	5.9	Mullion Door	\$199	\$199	\$199
	MUL 27-39 High	5.9	Mullion Door	\$257	\$257	\$257
	MUL 42-54 High	5.9	Mullion Door	\$367	\$367	\$367
MUL-A	MUL A 12-30 High	5.10	Mullion A	\$301	\$301	\$301
	MUL A 33-54 High	5.10	Mullion A	\$358	\$358	\$358
MUL-AC	MUL AC	5.10	Mullion AC	\$292	\$292	\$292
MUL-ARCH	MUL Arched	5.10	Mullion Arched	\$938	\$938	\$938
MUL-BUNG	MUL Bungalow	5.10	Mullion Bungalow	\$218	\$218	\$218
MUL-CDAR	MUL Continuous Double Arch	5.10	Mullion Double Arch	\$1,675	\$1,675	\$1,675
MUL-DIA	MUL Diamond	5.10	Mullion Diamond	\$397	\$397	\$397
MUL-ECL	MUL ECL	5.11	Mullion Eclipse	\$1,307	\$1,307	\$1,307
MUL-QC	MUL QC 12-30 High	5.11	Mullion Qtr Circle	\$1,225	\$1,225	\$1,225
	MUL QC 33-42 High	5.11	Mullion Qtr Circle	\$1,362	\$1,362	\$1,362
MUL-SWAG	MUL Swag	5.11	Mullion Swag	\$406	\$406	\$406
MUL-TAN	MUL TAN	5.11	Mullion Tangent	\$1,038	\$1,038	\$1,038
MUL-X	MUL DX	5.11	Mullion X	\$789	\$789	\$789
	MUL TX	5.11	Mullion X	\$1,130	\$1,130	\$1,130
	MUL X	5.11	Mullion X	\$415	\$415	\$415
OO	OO_1/2in_Left ( 1in reveal) or R	5.12	Odd Overlay	\$51	\$51	\$51
	OO_1in_Left ( 1/2in reveal) or Right	5.12	Odd Overlay	\$51	\$51	\$51
PDR	Pocket_Door_Butt	5.12	Pocket Doors	\$758	\$758	\$758
	Pocket_Door_Single	5.12	Pocket Doors	\$379	\$379	\$379
PEGS	PEGS -Cherry	5.12	Pegs - Square	\$56	\$56	\$56
	PEGS -Mahogany	5.12	Pegs - Square	\$56	\$56	\$56

- Indicates item is not available



**DOORS** continued...

Abbr	SKU	Page	Description	Wall	Base	Tall
	PEGS -Red Oak	5.12	Pegs - Square	\$56	\$56	\$56
	PEGS -Walnut	5.12	Pegs - Square	\$56	\$56	\$56
PFI	PFI 12-30	5.13	Prep For Insert	\$42	\$42	\$42
	PFI 33-54	5.13	Prep For Insert	\$62	\$62	\$62

**Drawer**

Abbr	SKU	Page	Description	Wall	Base	Tall
ADD	Add Drawer	5.13	Add Drawer	\$443	\$443	\$443
BBLOCK	Butcher_Block_15 (18 or 21)	5.13	Butcher Block in drawer	-	\$427	\$427
	Butcher_Block_24 (27 or 30)	5.13	Butcher Block in drawer	-	\$568	\$568
BL	BL 15 (or 18)	5.13	Bread Lid	-	\$118	-
	BL 21 (or 24)	5.13	Bread Lid	-	\$143	-
CB	CB 15 (or 18)	5.13	Cutting Board	-	\$292	-
	CB 21 (or 24)	5.13	Cutting Board	-	\$309	-
	CBH 15 (or 18)	5.13	Cutting Board	-	\$292	-
	CBH 21 (or 24)	5.13	Cutting Board	-	\$309	-
CD	CD 15 (or 18)	5.14	Cutlery Divider	-	\$79	-
	CD 21 (or 24)	5.14	Cutlery Divider	-	\$95	-
	CD 27 (30, 33, or 36)	5.14	Cutlery Divider	-	\$141	-
DDRW	Docking Drawer	5.14	Docking Drawer	-	\$300	-
ECS	Electric_Charging_Station	5.14	Electric Charging Station	\$198	-	\$198
FDD	FDD Fix Drawer Dividers	5.14	Fixed drawer divider	-	\$31	\$31
KNB	KNB 12 (15,18, or 21)	5.15	Knife Block	-	\$146	-
MODIFY DR	Blum 150 Tracks	5.15	Add Blum 150 Tracks	\$162	\$162	\$162
	Cherry or Walnut Drw/Rot	5.15	Drawer Box Mods	\$260	\$260	\$260
	False Drawer	5.15	Add False Drawer	\$-154	\$-154	\$-154
	Reduce Depth Drw Box	5.15	Reduce Drawer Box Depth	\$30	\$30	\$30
	Reduce Height Drw Box	5.15	Reduce Drawer Box Height	\$30	\$30	\$30
	Scoop Drawer Box	2.4	Scoop Drawer Box	-	\$31	\$31
PCD	Pipe_Chase_Drawer	5.16	Pipe Chase Drawer	-	\$248	-
PO	Peg Org 24	5.16	Peg Organizer	-	\$193	\$193
	Peg Org 36	5.16	Peg Organizer	-	\$256	\$256
SD	SD 15 (or 18)	5.16	Spice Drawer Insert	-	\$118	\$118
	SD 21 (or 24)	5.16	Spice Drawer Insert	-	\$177	\$177
TKD	Toe Kick Drawer	3.32	Toe Kick Drawer	-	\$363	-
WACD	WACD 15 to 18	5.17	Wood Adj Cutley Divider	-	\$196	-
	WACD 21 to 24	5.17	Wood Adj Cutley Divider	-	\$292	-
WADD	WADD 15 to 18	5.17	Wood Adj Drawer Divider	-	\$154	-
	WADD 21 to 24	5.17	Wood Adj Drawer Divider	-	\$253	-
WKCD	WKCD 15 to 18	5.17	Wood K-Cup Drawer	-	\$371	-
	WKCD 21 to 24	5.17	Wood K-Cup Drawer	-	\$480	-

Case						
Abbr	SKU	Page	Description	Wall	Base	Tall
AB	Angled Back Common	5.17	Angled Back	50%	50%	50%
	Angled Back Uncommon	5.17	Angled Back	100%	100%	100%
AF	Angled Frame Common	5.18	Angled Frame	50%	50%	50%
	Angled Frame Uncommon	5.18	Angled Frame	100%	100%	100%
AP	AP12_Left (or Right)	5.18	Angled Panel	\$348	\$348	\$675
	AP24_Left (or Right)	5.18	Angled Panel	\$426	\$426	\$745
CO	CO	5.18	Case Only	-30%	-30%	-30%
COM	Combine_Cabinet	5.18	Combine Cabinets	15%	15%	15%
	Combine_Cabinet_73_96	5.18	Combine Cabinets	20%	20%	-
CONST	All Plywood	5.19	Construction Method	13%	13%	13%
	Duralux	5.19	Construction Method	0%	0%	0%
	Plywood Sides	5.19	Construction Method	5%	5%	5%
FDS	FDS	5.19	Full Depth Shelf	-	\$38	-
FOE	FOE_HingeButt_Left (or Right)	5.19	Frame on End - Fixed	\$663	\$737	\$1,682
	FOE_HingeL_Left (or Right)	2.4	Frame on End - Active	\$576	\$650	\$1,466
	FOE_HingeN_Left (or Right)	5.19	Hinge None - for MUL or PFI doors	\$576	\$650	\$1,466
	FOE_HingeR_Left (or Right)	2.4	Frame on End - Active	\$576	\$650	\$1,466
	FOE_NF_Left (or Right)	2.4	Frame on End - Non Functional	\$576	\$650	\$1,466
FOE MSG	FOE_MsgCenter_Left (or Right)	5.20	Frame on End - Message	\$619	-	-
IDP	IDP_Left (or Right)	5.20	Integrated Designer Panel	\$811	\$937	\$2,126
LE	LE-C2 Lumber Edge	5.20	Lumber Edge	\$101	\$101	\$101
	LE-L149 Lumber Edge	5.20	Lumber Edge	\$101	\$101	\$101
	LE-LC Lumber Edge	5.20	Lumber Edge	\$117	\$117	\$117
	LE-SQ Lumber Edge	5.20	Lumber Edge	\$93	\$93	\$93
OCC	Oven Custom Cutout	5.20	Oven Cutout	-	-	\$331
OS	Omit Shelves	5.21	Shelves	-10%	-10%	-10%
OSH	Omit Shelf Holes	5.21	Shelves	0%	0%	0%
PAR	PAR Partition	5.21	Partition	\$130	\$130	\$130
PCC	Pipe Chase Cutout	5.21	Pipe Chase Cutout	\$350	\$350	\$562
REDUCE	Reduce (Increase) Depth	5.22	Reduce Cabinet Depth	\$187	\$200	\$391
	Reduce Height	5.22	Reduce Cabinet Height	\$240	\$311	\$314
	Reduce Width	5.22	Reduce Cabinet Width	\$240	\$311	\$314
SDC	SDC	5.22	Solid Dust Cover	-	10%	-
UAC	UAC Universal Access	5.22	Universal Access	-	10%	10%
VTOE	VTOE_A	5.23	Valance as Toe	-	\$568	\$568
	VTOE_CF	5.23	Valance as Toe	-	\$568	\$568
	VTOE_CV	5.23	Valance as Toe	-	\$568	\$568
	VTOE_FV	5.23	Valance as Toe	-	\$568	\$568
	VTOE_RA	5.23	Valance as Toe	-	\$568	\$568
	VTOE_TV	5.23	Valance as Toe	-	\$568	\$568
VTOE L/R	VTOE_CV_Left (or Right)	5.23	Valance as Toe L/R	-	\$284	\$284
	VTOE_FV_Left (or Right)	5.23	Valance as Toe L/R	-	\$284	\$284
	VTOE_TV_Left (or Right)	5.23	Valance as Toe L/R	-	\$284	\$284

- Indicates item is not available

**Case continued...**

Abbr	SKU	Page	Description	Wall	Base	Tall
XSB	Band_Back_Left (or Right)	5.23	Extend Side Back	\$58	\$58	-
	XSB_Left (or Right) to 6"	5.23	Extend Side Back	\$89	\$89	\$166
XSD	XSD_Left (or Right) to 18"	5.23	Extend Side Down	\$374	-	-
	XSD_Left (or Right) to 6"	5.23	Extend Side Down	\$185	-	-
XSU	XSU_Left (or Right) over 3" to 6'	5.24	Extend Side Up	\$136	-	\$136
	XSU_Left (or Right) to 3"	5.24	Extend Side Up	\$91	-	\$91

**Face Frame**

Abbr	SKU	Page	Description	Wall	Base	Tall
AS	AS06_Left (or Right)	5.24	Angled Style	\$273	\$273	\$470
BMCC	BMC Cutout	5.24	Micro Cutout	-	\$305	-
	FI-BMC Cutout	5.24	Micro Cutout	-	\$515	-
BTL	BTL_Left (or Right)	5.24	Base Table leg	-	\$460	-
CC	CC_Left (or Right)	5.25	Clipped Corner	\$308	\$308	\$673
CFO	CFO	5.25	Cabinet Front Only	-25%	-25%	-25%
CS	CS_Left (or Right)	5.25	Chamfer Stile	\$118	\$118	\$215
CVED	COVERED_Left (or Right)	5.25	Coved Edge	\$69	\$69	\$69
FM	Frame Mod	5.26	Frame Modify	20%	20%	10%
Penn	Peninsula_Cabinet	5.26	Peninsula Cabinet	65%	65%	-
RevS	Finish_Stile_Left (or Right)	5.26	Finish Stile	\$0	\$0	\$0
	Reverse_Stile_Left (or Right)	2.4	Reverse Stile	\$84	\$84	\$84
SBlind	Solid_Blind	5.26	Solid Blind	25%	25%	-
SCO	SCO_Center	5.27	Square Column Onlay	\$716	\$716	\$992
	SCO_Left (or Right)	5.27	Square Column Onlay	\$716	\$716	\$992
SPO	SPO_Center	5.27	Spindle Onlays	\$757	\$833	\$936
	SPO_Left (or Right)	5.27	Spindle Onlays	\$757	\$833	\$936
VBR	VBR_A (4-1/2 or 6)	5.27	Valance Bottom Rail	\$237	-	-
	VBR_CV (4-1/2 or 6)	5.27	Valance Bottom Rail	\$316	-	-
	VBR_FV (4-1/2 or 6)	5.27	Valance Bottom Rail	\$316	-	-
	VBR_RA (4-1/2 or 6)	5.27	Valance Bottom Rail	\$237	-	-
	VBR_STR (1-5/8 to 6)	5.27	Valance Bottom Rail	\$175	-	-
	VBR_TV (4-1/2 or 6)	5.27	Valance Bottom Rail	\$316	-	-
VTR	VTR_A	5.27	Valance Top Rail	\$237	\$237	\$237
	VTR_CV	5.27	Valance Top Rail	\$316	\$316	\$316
	VTR_FV	5.27	Valance Top Rail	\$316	\$316	\$316
	VTR_RA	5.27	Valance Top Rail	\$237	\$237	\$237
	VTR_STR (1-5/8 to 6)	5.27	Valance Top Rail	\$175	\$175	\$175
	VTR_TV	5.27	Valance Top Rail	\$316	\$316	\$316
WDS	WD_Stile_Left (or Right)	5.28	WD Stile	\$115	\$115	\$115
WR	WBR over 3" to 6"	5.28	Between 3" and 6" Wide Bottom Rail	\$229	\$229	\$229
	WBR to 3"	5.28	Up to 3" Wide Bottom Rail	\$118	\$118	\$118
	WTR over 3" to 6"	5.28	Between 3" and 6" Wide Top Rail	\$229	\$229	\$229
	WTR to 3"	5.28	Up to 3" Wide Top Rail	\$113	\$113	\$113

Face Frame *continued...*

Abbr	SKU	Page	Description	Wall	Base	Tall
WS	WS_Left (or Right) over 3" to 6"	5.28	Between 3" and 6" Wide Stile	\$229	\$229	\$414
	WS_Left (or Right) to 3"	5.28	Up to 3" Wide Stile	\$118	\$118	\$209
XS	XS_Left (or Right) over 3" to 6"	5.28	Between 3" and 6" Extended Stile	\$200	\$200	\$362
	XS_Left (or Right) to 3"	5.28	Up to 3" Extended Stile	\$99	\$99	\$180
XSTF	XSTF_Left (or Right)	5.29	Extend Stile to Floor	-	\$116	\$116
XTR	XTR over 3" to 6"	5.29	Extended Top Rail	\$224	-	\$224
	XTR to 3"	5.29	Extended Top Rail	\$118	-	\$118

## Finish

Abbr	SKU	Page	Description	Wall	Base	Tall
FB	FB12-30	5.29	Finished Bottom	\$93	-	-
	FB33-48	5.29	Finished Bottom	\$115	-	-
FBE	FBE_Left (or Right)	5.29	Flush Beaded End	\$318	\$318	\$438
FBK	Finished_Back	5.30	Finish Back	-	\$261	-
FBWE	FBWE_Left (or Right)	5.30	Flush Beaded Wainscoat End	\$690	\$856	\$1,699
FCS	Fin_Cabinet_Section	5.30	Finish Cabinet Section	25%	25%	30%
FE	FE_Left (or Right)	5.30	Finished End	\$52	\$82	\$181
FFE	FFE_Left (or Right)	5.31	Near Flush Finished End	\$335	\$336	\$478
FI	FI	5.31	Finished Interior	50%	50%	50%
	FI-BdBk (BeadBoard)	5.31	Finished Interior	65%	65%	65%
	FI-WainsBk (Wainscote)	5.31	Finished Interior	75%	75%	75%
	OFI	5.31	Finished Interior	30%	30%	30%
	OFI-BdBk (BeadBoard)	5.31	Finished Interior	45%	45%	45%
	OFI-WainsBk (Wainscote)	5.31	Finished Interior	55%	55%	55%
FT	FT12-30	5.32	Finished Top	\$93	-	\$93
	FT33-48	5.32	Finished Top	\$115	-	\$115
FTK	FTK	5.32	Finished Toe Kick	-	\$100	\$100
WRFI	WR-FI	5.32	Wine Rack	60%	60%	60%

## Toe Kick

Abbr	SKU	Page	Description	Wall	Base	Tall
DTK	DTK	5.32	No Toe	-	\$0	\$0
PREPBF	PREPBF (each)	5.33	Prep For Bunn Foot	-	\$42	\$42
STK	STK	5.33	Straight Toe Kick	-	\$223	\$223
STL	Loose ToeKick	5.33	Ship Toe Loose	-	\$69	\$69
TNP	TNPR_Left (or Right)	5.33	Toe Notch Panel	-	\$59	\$59
	TNP_Left (or Right)	5.33	Toe Notch Panel	-	\$59	\$59
TOE	TOE_Back	5.34	Toe Space	-	\$244	\$244
	TOE_Left (or Right)	5.34	Toe Space	-	\$244	\$244

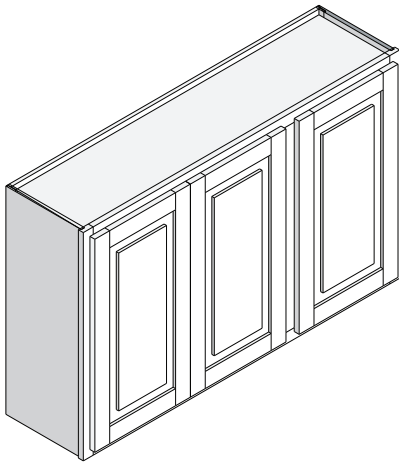
- Indicates item is not available

Fillers						
Abbr	SKU	Page	Description	Wall	Base	Tall
FL	FL - Type A	5.34	Fluting	\$119	\$119	\$194
	FL - Type B	5.34	Fluting	\$119	\$119	\$194
w/Heel	w/ HEEL (for molding)	5.34	Heel	\$128	-	-

Space Utilization						
Abbr	SKU	Page	Description	Wall	Base	Tall
BC-CLOUD	BC_Cloud42L	5.34	Cloud	-	\$2,279	-
	BC_Cloud42R	5.34	Cloud	-	\$2,279	-
	BC_Cloud45L	5.34	Cloud	-	\$2,298	-
	BC_Cloud45R	5.34	Cloud	-	\$2,298	-
	BC_Cloud48L	5.34	Cloud	-	\$2,302	-
	BC_Cloud48R	5.34	Cloud	-	\$2,302	-
BER-EVB	BER_EVB	5.35	Enviro Baskets	-	\$568	-
BER-LSDS	BERD_LSDS (diagonal)	5.35	Lazy Susan Drawer System	-	\$1,829	-
	BER_LSDS	5.35	Lazy Susan Drawer System	-	\$1,829	-
BIW	Built-In Waste Bin Stainless Steel	5.35	Built-In Waste Bin	-	\$357	-
BPSK	BPSK	5.35	Broom Partition	-	-	\$202
GLP	Glideware_Pullout	5.36	Glideware Pullout	-	\$590	\$590
PTB	TB - Chrome	5.36	Towel Bar	-	\$82	-
RR	RR1530	5.36	Reverse A Rack	\$694	-	-
	RR1830	5.36	Reverse A Rack	\$720	-	-
	RR2130	5.36	Reverse A Rack	\$751	-	-
	RR2430	5.36	Reverse A Rack	\$861	-	-
SR	SR 15 (or 18)	5.36	Spice Rack	\$280	\$280	\$280
	SR 21 (or 24)	5.36	Spice Rack	\$327	\$327	\$327
TD	TD	5.37	Tray Divider	\$118	\$118	\$118
UT	UT Tray	5.37	Utility Tilt-out Tray	-	\$126	-
WCTT	WCTT 15	5.37	Wood Cutlery Two Tier	-	\$329	-
	WCTT 18 (21 or 24)	5.37	Wood Cutlery Two Tier	-	\$450	-
	WCTT 27 (30, 33 or 36)	5.37	Wood Cutlery Two Tier	-	\$622	-

Roll Out						
Abbr	SKU	Page	Description	Wall	Base	Tall
ROS	ROS	5.37	Rollout Shelf	-	\$209	-
ROT	ROT 12 (or 21)	5.38	Rollout Tray	\$203	\$203	\$203
	ROT 24 (or 27)	5.38	Rollout Tray	\$225	\$225	\$225
	ROT 30 (or 36)	5.38	Rollout Tray	\$242	\$242	\$242
	ROT Height to 4-1/2" (Add)	5.38	Rollout Tray	\$17	\$17	\$17
	ROT Height to 7" (Add)	5.38	Rollout Tray	\$31	\$31	\$31
	ROT-BS (Add)	5.38	Rollout Tray	\$241	\$241	\$241
ROT-TD	ROT-TD 12 (to 21)	5.38	Rollout Tray Divider	-	\$397	-
	ROT-TD 24 (to 27)	5.38	Rollout Tray Divider	-	\$487	-
	ROT-TD 30 (to 36)	5.38	Rollout Tray Divider	-	\$575	-

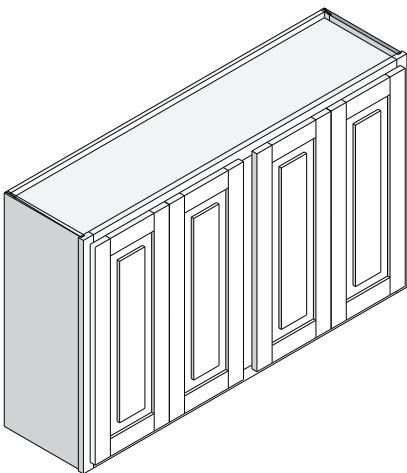
**3 Doors (2 door Cab) 3DR**



- Available in widths 36 to 48.
- A drawing is required. Specify Hinging; For example, L,L,R or if Butted to one side Butt(L,R),R for Butted Doors Left single door right.
- Must add for additional door charge if applicable.

SKU	Wall	Base	Tall
3_Doors	20%	20%	20%

**4 Doors (2 door Cab) 4DR**



- Available in widths 39 to 48.
- Must add for additional door charge if applicable.

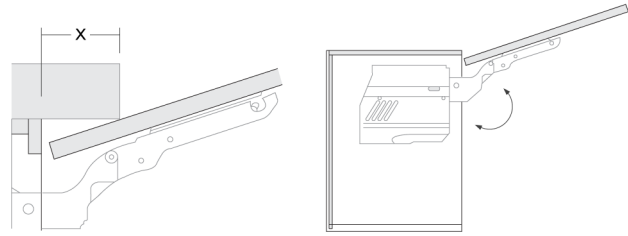
SKU	Wall	Base	Tall
4_Doors	15%	15%	15%

**Aventos Lift System HK ALS-HK**



**Decorative Molding Clearances**

Standard 3/4" thick door: x = 2-1/4"  
 Applied molding or 1" thick door: x = 1-1/4"

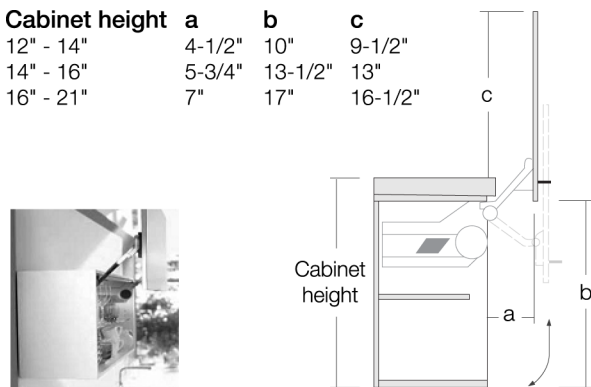


- Features door adjustment in three dimensions.
- Tension adjustment feature is used to fine-tune the opening and closing power.
- Door opens 107 degrees upward from face frame.
- (HK) Can be ordered on 16" H - 24" H cabinet.
- Can be ordered on 15" W - 39" W cabinet.
- Cabinet must be minimum of 12" deep.
- Cabinets over 24" W will receive a 2-panel wide door w/vertical grain.
- Cabinets 21" H - 24" H will receive (1) standard-depth shelf.

SKU	Wall	Base	Tall
ALS-HK	\$655	-	\$655

**Aventos Lift System HL ALS-HL**

Cabinet height	a	b	c
12" - 14"	4-1/2"	10"	9-1/2"
14" - 16"	5-3/4"	13-1/2"	13"
16" - 21"	7"	17"	16-1/2"

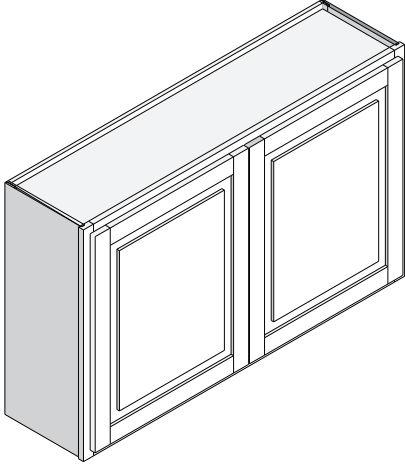


- Cabinet must be minimum of 12" deep.
- Can be ordered on 15" W - 36" W cabinet.
- Can be ordered on 12" H-21" H cabinet.
- Door opens outward and up the face frame.
- Tension adjustment feature is used to fine-tune the opening and closing power.
- Features door adjustment in three dimensions.
- Cabinets over 24" W will receive a 2-panel wide door w/vertical grain.
- Cabinets 21" H will receive (1) shelf, reduced 2" in depth.

SKU	Wall	Base	Tall
ALS-HL	\$1,022	-	\$1,022

- Indicates item is not available

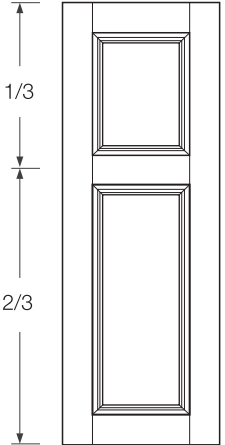
### Butt Doors BTD



- Butt doors will have a 1/8" gap between them.
- Butt door cabinets over 36" wide should be carefully considered due to the increased stress on wide doors.
- When make a cabinet 39" wide or more with butt doors, consider adding a lumber edge for rigidity.

SKU	Wall	Base	Tall
BTD	\$0	\$0	\$0

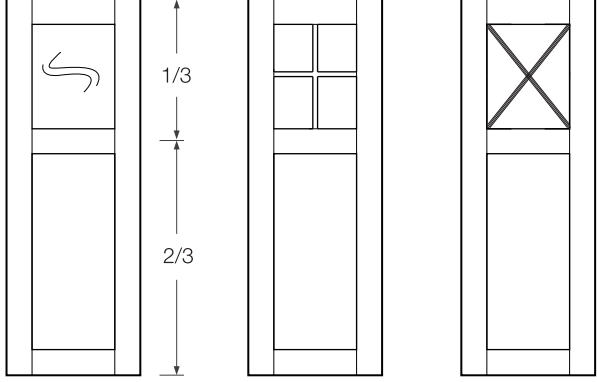
### Double Raised Panel DRP



- Double raised panel available on doors 30" high and above.
- Standard setup is 1/3 top and 2/3 bottom. Please specify if another alignment is desired.
- A Door charge is for price group B doors and Lower. C Door charge is for door price group C and up. Not available on mitered door styles.
- Charge is per door.
- Please see DRP-PFI section for other options.

SKU	Wall	Base	Tall
DRP-A Door	\$91	\$91	\$91
DRP-C Door	\$182	\$182	\$182

### Double Raised Panel -2x2 Mul DRP-PFI

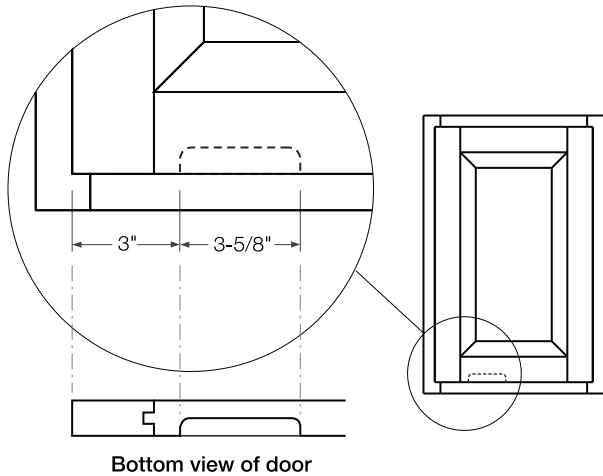


*DRP-PFI*
*DRP-2x2*
*DRP-X*

- Charge is per door.
- Use the Finished Interior (FI) modification if needed.
- Double raised panel available on doors 30" high and above.
- Standard setup is 1/3 top and 2/3 bottom. Please specify if another alignment is desired.
- Use "A Door" charge is for price group B doors and lower. Use "C Door" charge for door price group C and above. Not available on mitered door styles.
- Glass or insert is not provided.**

SKU	Wall	Base	Tall
DRP-2x2-A Door	\$382	\$382	\$382
DRP-2x2-C Door	\$474	\$474	\$474
DRP-PFI-A Door	\$134	\$134	\$134
DRP-PFI-C Door	\$224	\$224	\$224
DRP-X-A Door	\$500	\$500	\$500
DRP-X-C Door	\$592	\$592	\$592

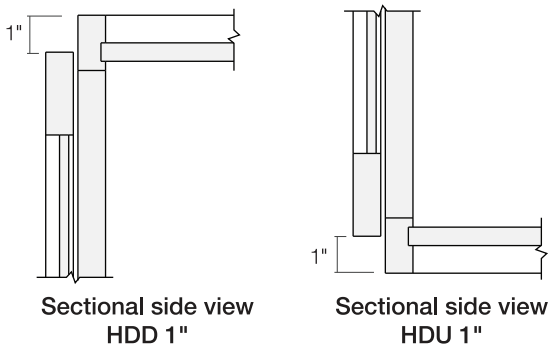
**Finger Pulls** **FPULL**



- **See Specification: Finger Pull Specifications** (page 3.21)
- Specify location: top or bottom and left, right or centered.
- For 1/2" Overlay only.
- Route is 3-5/8" wide and 3/8" deep. When specifying left or right hand, pull will start 3" in from edge of door. Finger pull is centered on doors less than 10" wide.

SKU	Wall	Base	Tall
Finger Pull	\$40	\$40	\$40

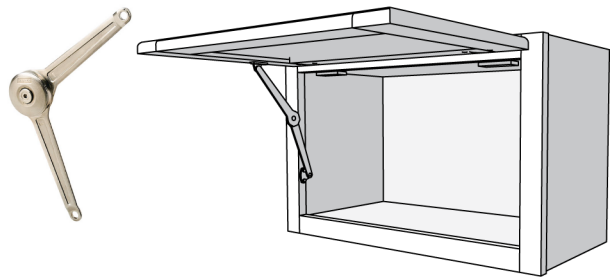
**Hold Doors** **HD**



- Holding doors down 1" on a full overlay or Euro FO order will allow for space to land your crown without any additional build in the field.
- 1" is a common dimension. Any reveal can be specified (1/16" increments). The door must overlap the frame by 1/4", so the maximum reveal is 1-1/4" for a 1-1/2" rail.

SKU	Wall	Base	Tall
HDD 1"	\$0	-	\$0
HDU 1"	\$0	-	\$0

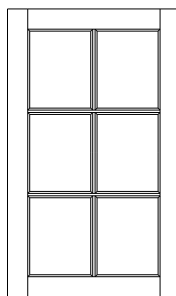
**Lid Stay** **HTOP**



- Minimum height of cabinet opening is 9" H.

SKU	Wall	Base	Tall
Lid_Stay_Dual_1PNL	\$284	-	\$284
Lid_Stay_Dual_2PNL	\$375	-	\$375
Lid_Stay_Single	\$142	-	\$142

**Mullion Door** **MUL**

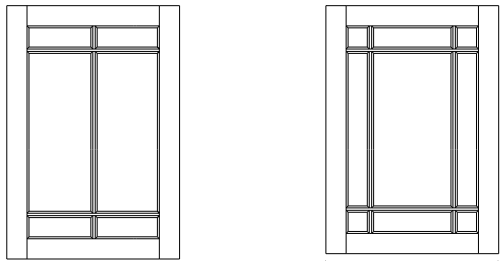


- Available in all wood species and finishes. Check door style for availability - complimentary door styles may be available.
- As with solid wood doors, any 9" wide cabinet will receive a square door design.
- Custom configurations available - send drawing for quote.
- **Glass or insert is not provided.**
- **Shelves will not align with mullions - use Omit Shelf Hole mod (OSH) and field locate shelves.**
- **Use the Finished Interior (FI) modification if needed.**

SKU	Wall	Base	Tall
MUL 12-24 High	\$199	\$199	\$199
MUL 27-39 High	\$257	\$257	\$257
MUL 42-54 High	\$367	\$367	\$367



**Mullion A MUL-A**

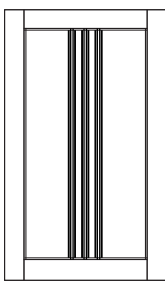


9-3/8" to 11-13/16"      11-7/8" and wider

- Minimum size of a 9 light door is 11-7/8" wide x 11-7/8" tall. Doors 9-3/8" W to 11-13/16" W will be changed to 6 light style.
- As with solid doors, any 9" wide cabinet will receive a square door design.
- Available in all wood species and finishes. Check door style for availability - complimentary door styles may be available.
- **Glass or insert is not provided.**
- **Use the Finished Interior (FI) modification if needed.**

SKU	Wall	Base	Tall
MUL A 12-30 High	\$301	\$301	\$301
MUL A 33-54 High	\$358	\$358	\$358

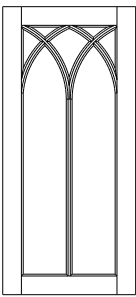
**Mullion AC MUL-AC**



- Minimum size of door is 12-3/8" wide x 7" tall.
- Available in all wood species and finishes. Check door style for availability - complimentary door styles may be available.
- **Glass or insert is not provided.**
- **Use the Finished Interior (FI) modification if needed.**

SKU	Wall	Base	Tall
MUL AC	\$292	\$292	\$292

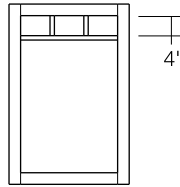
**Mullion Arched MUL-ARCH**



- Minimum size of door is 11-5/8" wide x 9-5/8" tall. Cad drawing to be provided for final approval.
- Available in all wood species and finishes. Check door style for availability - complimentary door styles may be available.
- **Glass or insert is not provided.**
- **Use the Finished Interior (FI) modification if needed.**

SKU	Wall	Base	Tall
MUL Arched	\$938	\$938	\$938

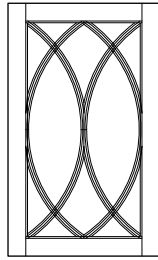
**Mullion Bungalow MUL-BUNG**



- Minimum size of door is 12-3/8" wide x 13-1/4" tall.
- Available in all wood species and finishes. Check door style for availability - complimentary door styles may be available.
- **Glass or insert is not provided.**
- **Use the Finished Interior (FI) modification if needed.**

SKU	Wall	Base	Tall
MUL Bungalow	\$218	\$218	\$218

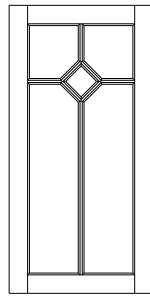
**Mullion Double Arch MUL-CDAR**



- Minimum size of door is 11-5/8" wide x 14-15/16" tall. Cad drawing to be provided for final approval.
- Available in all wood species and finishes. Check door style for availability - complimentary door styles may be available.
- **Glass or insert is not provided.**
- **Use the Finished Interior (FI) modification if needed.**

SKU	Wall	Base	Tall
MUL Continuous Double Arch	\$1,675	\$1,675	\$1,675

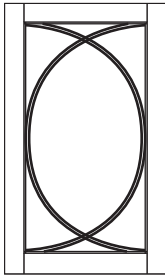
**Mullion Diamond MUL-DIA**



- Minimum size of door is 12-5/8" wide x 18-5/8" tall. Cad drawing to be provided for final approval.
- Available in all wood species and finishes. Check door style for availability - complimentary door styles may be available.
- **Glass or insert is not provided.**
- **Use the Finished Interior (FI) modification if needed.**

SKU	Wall	Base	Tall
MUL Diamond	\$397	\$397	\$397

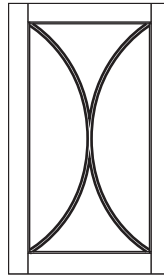
**Mullion Eclipse MUL-ECL**



- Minimum size of door is 8-5/8" wide x 15-15/16" tall. Cad drawing to be provided for final approval.
- Available in all wood species and finishes. Check door style for availability - complimentary door styles may be available.
- **Glass or insert is not provided.**
- **Use the Finished Interior (FI) modification if needed.**

SKU	Wall	Base	Tall
MUL ECL	\$1,307	\$1,307	\$1,307

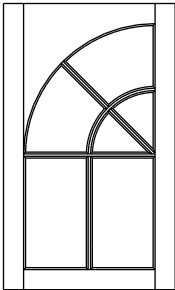
**Mullion Tangent MUL-TAN**



- Minimum size if door is 11-5/8" wide x 11-5/8" tall. Cad drawing to be provided for final approval,
- Available in all wood species and finishes. Check door style for availability - complimentary door styles may be available.
- **Glass or insert is not provided.**
- **Use the Finished Interior (FI) modification if needed.**

SKU	Wall	Base	Tall
MUL TAN	\$1,038	\$1,038	\$1,038

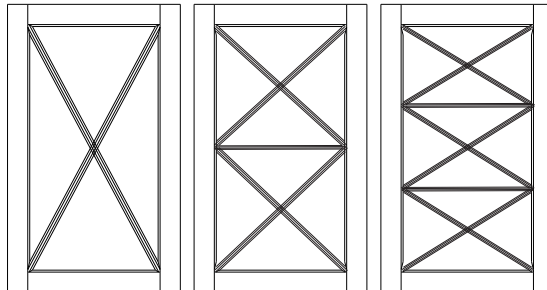
**Mullion Qtr Circle MUL-QC**



- Minimum door width is 9-1/2" wide.
- Arch changes with door size.
- Available with Ogee, Regular and Square frame bead. Not available in mitered or applied molding styles.
- **Shelves will not align with mullions - use Omit Shelf Hole mod (OSH) and field locate shelves.**
- **Glass or insert is not provided.**
- **Use the Finished Interior (FI) modification if needed.**

SKU	Wall	Base	Tall
MUL QC 12-30 High	\$1,225	\$1,225	\$1,225
MUL QC 33-42 High	\$1,362	\$1,362	\$1,362

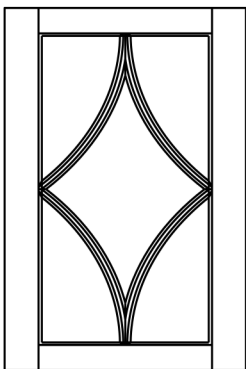
**Mullion X MUL-X**



- Minimum for a MUL-X door is 8-5/8" W x 8-5/8" H.
- Minimum for a MUL-DX door is 8-5/8" W x 13-1/8" H.
- Minimum for a MUL-TX door is 8-5/8" W x 17-3/4" H.
- Cad drawing to be provided for final approval.
- Available in all wood species and finishes. Check door style for availability - complimentary door styles may be available.
- **Glass or insert is not provided.**
- **Use the Finished Interior (FI) modification if needed.**

SKU	Wall	Base	Tall
MUL DX	\$789	\$789	\$789
MUL TX	\$1,130	\$1,130	\$1,130
MUL X	\$415	\$415	\$415

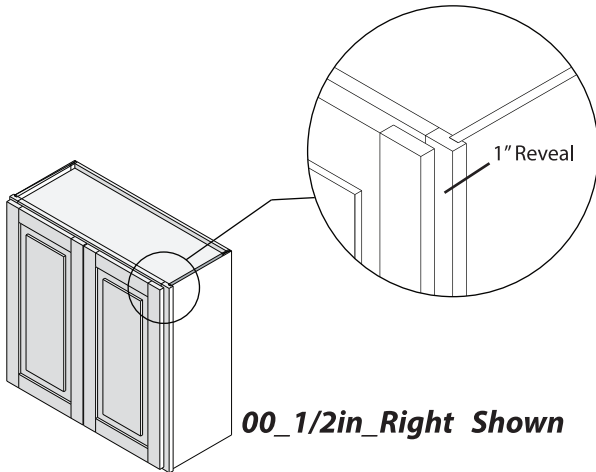
**Mullion Swag MUL-SWAG**



- Minimum size of door is 11-5/8" wide x 11-5/8" tall.
- All framing beads available except F-877 and Elite. Ogee and F-007 framing bead may burnish when coped.
- Matching mullion profiles in F-007, F-1223, Regular, Ogee and Square.
- Available in all wood species and finishes. Check door style for availability - complimentary door.
- Glass or insert is not provided.
- Use the Finished Interior (FI) modification if needed.

SKU	Wall	Base	Tall
MUL Swag	\$406	\$406	\$406

**Odd Overlay OO**

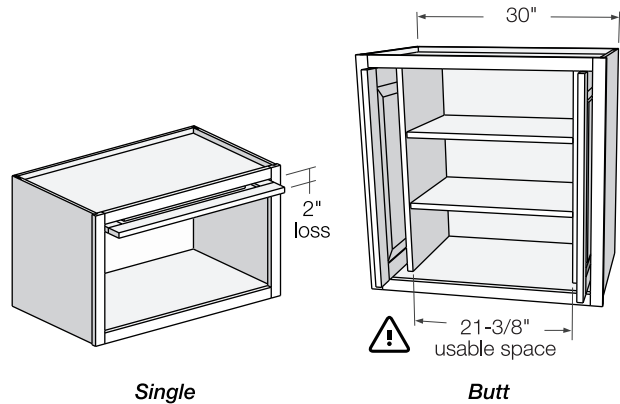


**OO\_1/2in\_Right Shown**

- Odd overlay is used for full overlay or Euro FO orders to avoid interference of cabinet doors to adjacent wall or cabinet.
- OO\_1/2in uses a 1/2" cup hinge to provide a 1" reveal.
- OO\_1in uses a 1" cup hinge to provide a 1/2" reveal.
- Specify 1" reveal (L or R) to get OO on the unhinged side of a door or drawer front.

SKU	Wall	Base	Tall
OO_1/2in_Left ( 1in reveal) or Riç	\$51	\$51	\$51
OO_1in_Left ( 1/2in reveal) or Right	\$51	\$51	\$51

**Pocket Doors PDR**



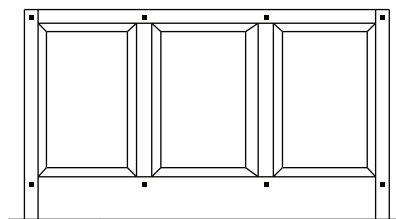
*Single*

*Butt*

- Retractable Doors (Pocket Doors) when added to a cabinet will yield a space 8-1/2" less in width than the overall width of the cabinet.
- Doors will receive a L-149 lip w/ back bevel and be setup as inset doors.
- Cabinet must be minimum of 15" deep.
- Removable partitions are added if shelves are required.
- Doors will receive a machine lip and be setup as inset doors.
- Cabinets over 24" wide will receive a 2-panel wide door w/ vertical grain. Please specify if a single panel is needed.
- This modification will take away 2" from the height of the opening.
- A minimum opening of 13-1/4" needed for pocket doors

SKU	Wall	Base	Tall
Pocket_Door_Butt	\$758	\$758	\$758
Pocket_Door_Single	\$379	\$379	\$379

**Pegs - Square PEGS**

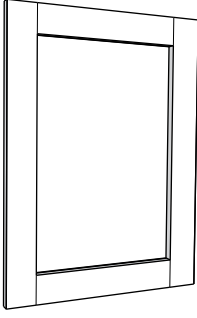


**DBEP**

- Please specify Oak, Cherry, Mahogany or Walnut.
- Pegs are located at each joint on a DBEP, multipanel door and 5 Pc drawer front. Please specify if less are desired.
- Not available on veneer or mitered doors.

SKU	Wall	Base	Tall
PEGS -Cherry	\$56	\$56	\$56
PEGS -Mahogany	\$56	\$56	\$56
PEGS -Red Oak	\$56	\$56	\$56
PEGS -Walnut	\$56	\$56	\$56

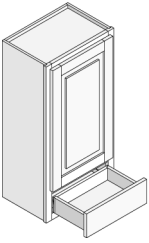
**Prep For Insert** **PFI**



- Plastic molding will be provided to hold 1/8" insert in place.
- **Glass or insert is not provided.**
- **Use the Finished Interior (FI) modification if needed.**

SKU	Wall	Base	Tall
PFI 12-30	\$42	\$42	\$42
PFI 33-54	\$62	\$62	\$62

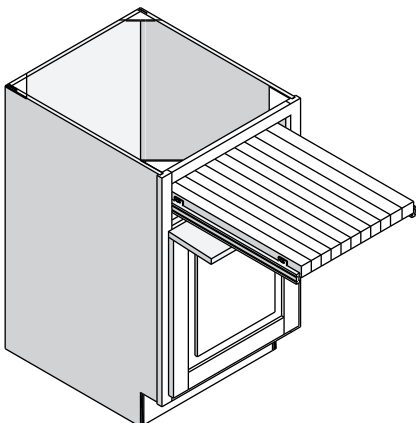
**Add Drawer** **ADD**



- For wall cabinets we recommend using the wall single drawer cabinets.
- Please include a simple drawing when ordering.
- Standard drawer heights will be used, i.e., 4-1/2" H on walls and 5-1/2" on base and tall.
- Drawer width should not be more than twice the depth.

SKU	Wall	Base	Tall
Add Drawer	\$443	\$443	\$443

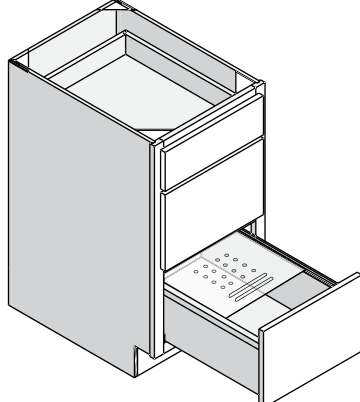
**Butcher Block in drawer** **BBLOCK**



- Flip down drawer front w/Butcher Block.
- Special consideration for some 5-piece and 9-Piece drawers.

SKU	Wall	Base	Tall
Butcher_Block_15 (18 or 21)	-	\$427	\$427
Butcher_Block_24 (27 or 30)	-	\$568	\$568

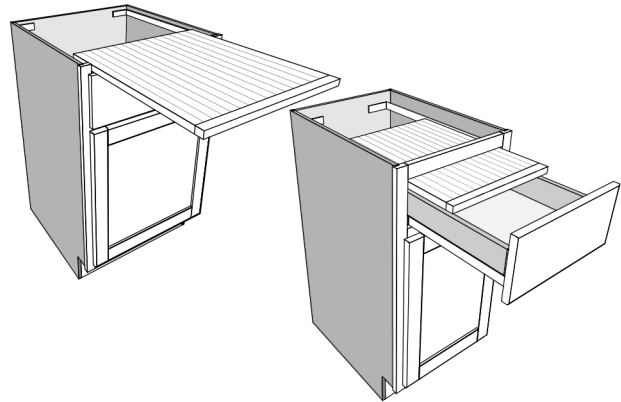
**Bread Lid** **BL**



- Plastic bread lid for deep drawers only.
- Drawers over 24 will get a fixed drawer divider (FDD) and the BL on the Left or Right. Please specify.

SKU	Wall	Base	Tall
BL 15 (or 18)	-	\$118	-
BL 21 (or 24)	-	\$143	-

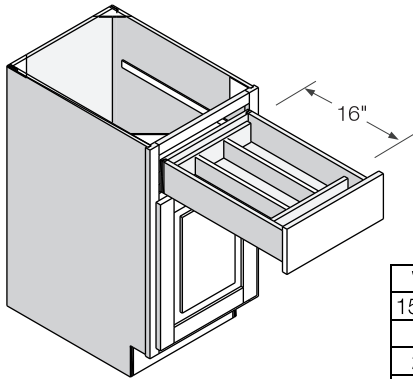
**Cutting Board** **CB**



- Bamboo cutting board inserted in top rail and is removable.
- Front edge will have a solid lumber edge (with finger groove) to match order. No pull is provided.
- The drawer head on Euro FO orders will be reduced by 3/4", Full Overlay by 5/8".
- Please specify CBH to hide the cutting board behind the drawer head. Drawer box will be reduced 1" in height to a 4-1/2" H

SKU	Wall	Base	Tall
CB 15 (or 18)	-	\$292	-
CB 21 (or 24)	-	\$309	-
CBH 15 (or 18)	-	\$292	-
CBH 21 (or 24)	-	\$309	-

**Cutlery Divider** **CD**

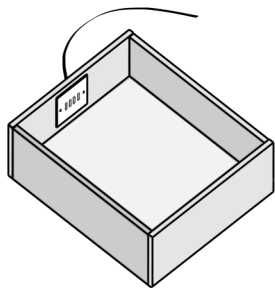


Width	# Openings
15/18/21	3
24	4
27/30	5
33	6
36	7

- Made of 5/8" Maple, inserted in drawer (Removable). Equal spaced dividers.

SKU	Wall	Base	Tall
CD 15 (or 18)	-	\$79	-
CD 21 (or 24)	-	\$95	-
CD 27 (30, 33, or 36)	-	\$141	-

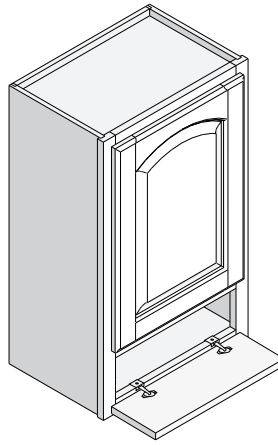
**Docking Drawer** **DDRW**



- Include USB outlet with (4) power sources.
- Parts will be mounted and ready for final connection to be made by an electrician. Please check local codes.
- Outlet will be centered in drawer.
- Docking drawer can only be added to cabinets at least 12" wide O.A.
- Minimum depth for a docking drawer is 15"
- Drawer box has to be at least 4-1/2" High
- Drawer box will be decreased in depth by 3" for inset orders to accommodate hardware behind drawer.
- This modification will not work with lateral stabilizers

SKU	Wall	Base	Tall
Docking Drawer	-	\$300	-

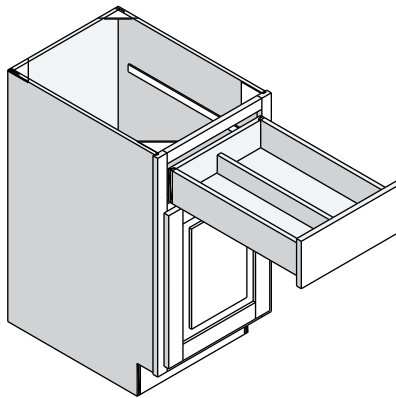
**Electric Charging Station** **ECS**



- Add to any standard wall or tall cabinet.
- Does not increase cabinet height.
- Standard opening will be 4-1/2"H.
- Standard concealed cup hinge. Drawer may need to be slab style to be hinged.
- Standard Duralux or plywood interior depending on the order.
- Check local codes for wiring by others.

SKU	Wall	Base	Tall
Electric_Charging_Station	\$198	-	\$198

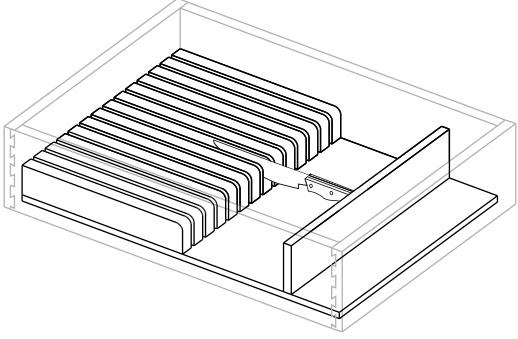
**Fixed drawer divider** **FDD**



- Fixed Divider, non-removable.
- Specify location front to back or side to side.

SKU	Wall	Base	Tall
FDD Fix Drawer Dividers	-	\$31	\$31

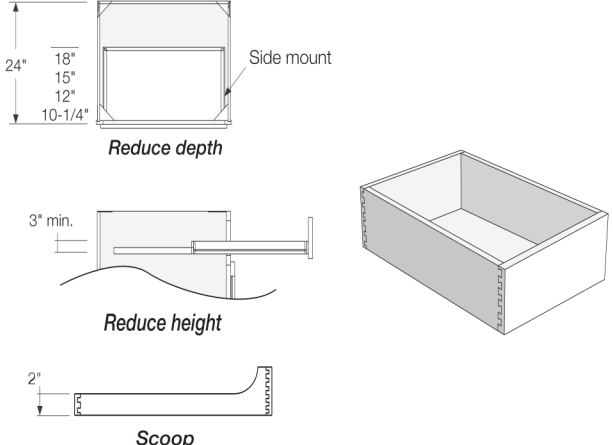
**Knife Block** **KNB**



- Use Fixed Drawer Divider (FDD) for wider drawers. KNB will be on the right unless otherwise specified.
- This modification will add a knife divider in a cabinet up to 21" W. Unit is 18-1/2" W untrimmed.

SKU	Wall	Base	Tall
KNB 12 (15,18, or 21)	-	\$146	-

**Drawer Box Mods** **MODIFY DR**




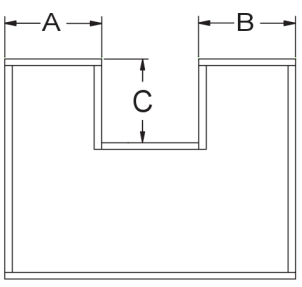
- Reduce depth is sometimes used in conjunction with scooped drawer box
- Depth of drawer box to be reduced in 3" increments. Standard drawer box is 21" D for a 24" D cabinet.
- Rollouts and Drawers are available in Cherry or Walnut with a natural finish. Premium is in addition to other charges.
- Lateral Stabilizer is standard when the drawer is over twice as wide as the depth in order to prevent binding.
- Scooped Top Drawer to 2" Sides.
- Blum 150 Tracks have a 150lb weight rating. Drawer will be side mounted.
- **Drawers and rollouts will grow in depth when the Cabinet is modified to over 24" deep.** This will carry a Blum 150 track modification. 21" Deep drawers and rollouts may be specified.

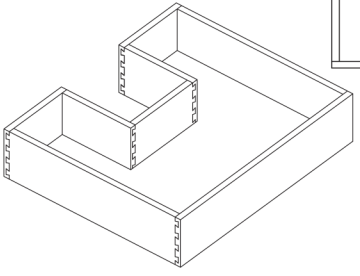
SKU	Wall	Base	Tall
Blum 150 Tracks	\$162	\$162	\$162
Cherry or Wallnut Drw/Rot	\$260	\$260	\$260
False Drawer	-\$154	-\$154	-\$154
Reduce Depth Drw Box	\$30	\$30	\$30
Reduce Height Drw Box	\$30	\$30	\$30
Scoop Drawer Box	-	\$31	\$31

- Indicates item is not available

### Pipe Chase Drawer PCD



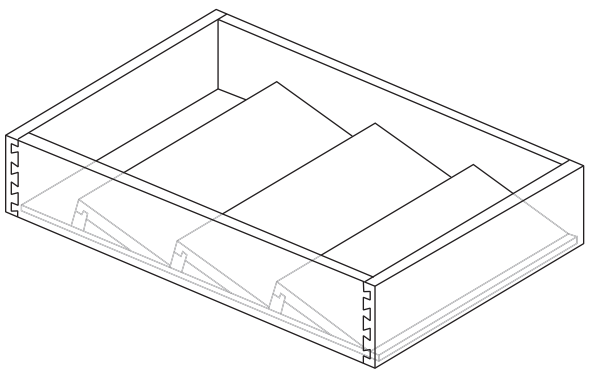




- To field cut drawers - see page 15.2 for ROT-SB loose drawer material.
- Please include dimension A, B and C.
- Charge is per every drawer or rollout.

SKU	Wall	Base	Tall
Pipe_Chase_Drawer	-	\$248	-

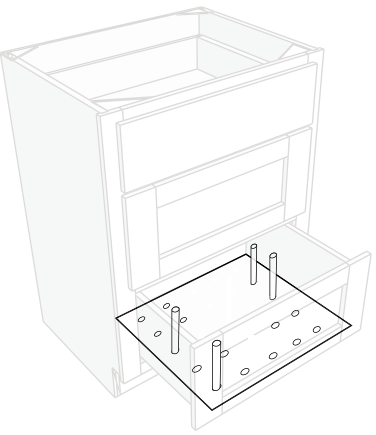
### Spice Drawer Insert SD



- Maximum width of 19-3/8" which fits a 24" wide cabinet. Cabinets over 24" wide will have a fixed drawer divider (FDD) installed and have the SD24 installed to the left or right of the FDD. Right side will be used if not specified.

SKU	Wall	Base	Tall
SD 15 (or 18)	-	\$118	\$118
SD 21 (or 24)	-	\$177	\$177

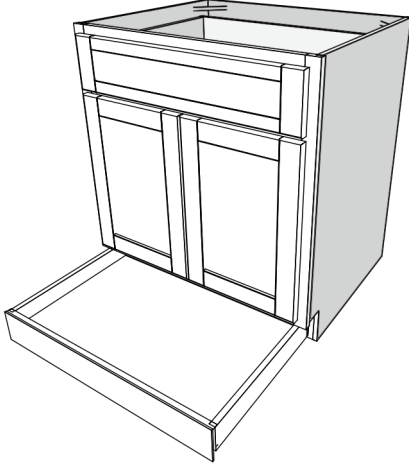
### Peg Organizer PO




- Peg Organizer 36 can be put in cabinets from 30" wide to 42" wide and will include 16 pegs.
- Peg Organizer 24 can be put in cabinets from 12" wide to 27" wide and will include 12 pegs.
- With our endless changeable pegboard system you can create instant storage for organizing all kinds of items, from dinner plates to plastic containers with dividers for your deep drawers.

SKU	Wall	Base	Tall
Peg Org 24	-	\$193	\$193
Peg Org 36	-	\$256	\$256

### Toe Kick Drawer TKD





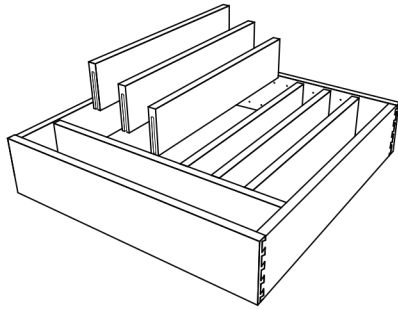
- See Specification: (page 3.32)
- Minimum cabinet depth depth 18".
- Cabinet needs to be at least 18" wide.
- Features Blum Movento slides with touch to open and soft close built in.
- Comes with Factory installed MTK Trim-able in field for base shoe.
- Will sit flush with MTK in field when installed.

SKU	Wall	Base	Tall
Toe Kick Drawer	-	\$363	-

**Wood Adj Cutley Divider WACD**



Width	Dividers
WACD 15	3
WACD 18	4
WACD 21	5
WACD 24	6



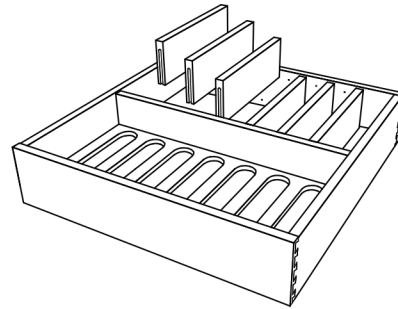
- Meant to be used as a top drawer, 4-1/2" tall.

SKU	Wall	Base	Tall
WACD 15 to 18	-	\$196	-
WACD 21 to 24	-	\$292	-

**Wood K-Cup Drawer WKCD**



Width	Dividers	K-cups
WKCD 15	3	16
WKCD 18	4	20
WKCD 21	5	24
WKCD 24	6	28



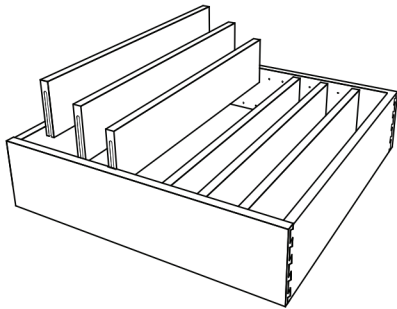
- Meant to be used as a top drawer, 4-1/2" tall.
- Space behind K cup configuration is 9-1/2" deep.

SKU	Wall	Base	Tall
WKCD 15 to 18	-	\$371	-
WKCD 21 to 24	-	\$480	-

**Wood Adj Drawer Divider WADD**



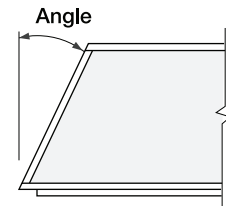
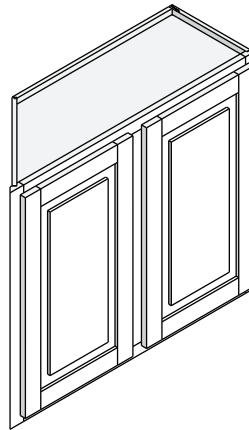
Width	Dividers
WADD 15	3
WADD 18	4
WADD 21	5
WADD 24	6



- Meant to be used as a top drawer, 4-1/2" tall.

SKU	Wall	Base	Tall
WADD 15 to 18	-	\$154	-
WADD 21 to 24	-	\$253	-

**Angled Back AB**



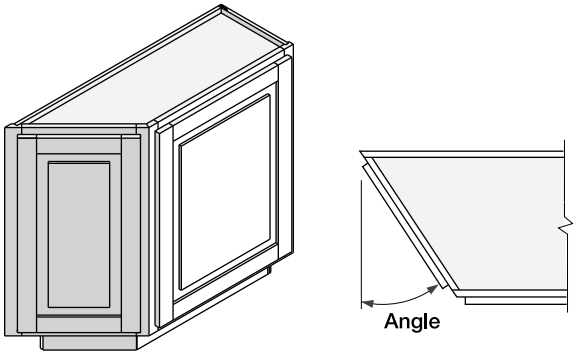
- Include drawing with order.
- Common Angles are 22-1/2 and 45 degrees. All others are considered uncommon.
- Specify Left or Right
- Example 10 deg., 20 deg. or 30 deg.

SKU	Wall	Base	Tall
Angled Back Common	50%	50%	50%
Angled Back Uncommon	100%	100%	100%

- Indicates item is not available



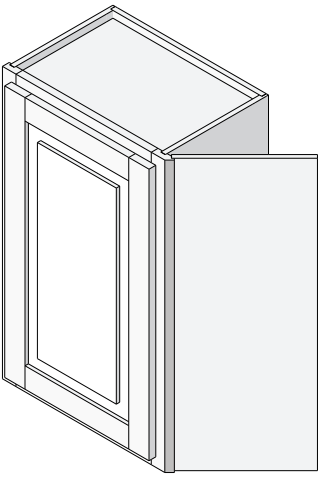
### Angled Frame AF



- Include drawing with order.
- Common Angles are 22-1/2 and 45 degrees. All others are considered uncommon.
- Specify Left or Right
- Example 10 deg., 20 deg. or 30 deg.

SKU	Wall	Base	Tall
Angled Frame Common	50%	50%	50%
Angled Frame Uncommon	100%	100%	100%

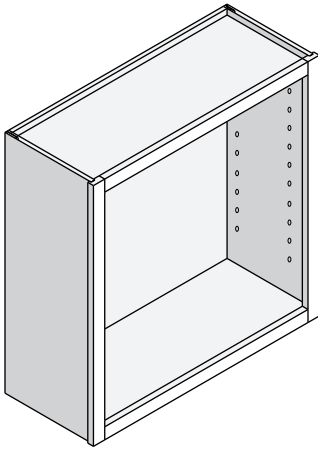
### Angled Panel AP



- **See Specification: Corner Installation Dimensions** (page 3.17)
- To order, specify left or right.
- Always specify the angled panel length. Only available at 45 degrees.
- Angled panel piece shipped loose to avoid shipping damage.
- Flush Finished Ends are not available.

SKU	Wall	Base	Tall
AP12_Left (or Right)	\$348	\$348	\$675
AP24_Left (or Right)	\$426	\$426	\$745

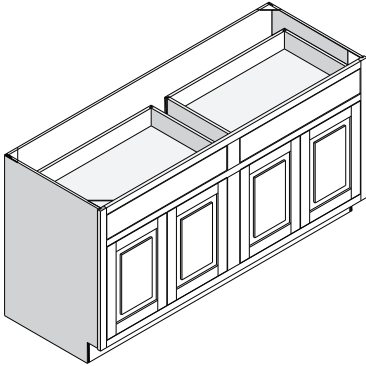
### Case Only CO



- No doors, drawers or shelves - cabinet box only.
- Cabinet will not have finished interior unless otherwise specified

SKU	Wall	Base	Tall
CO	-30%	-30%	-30%

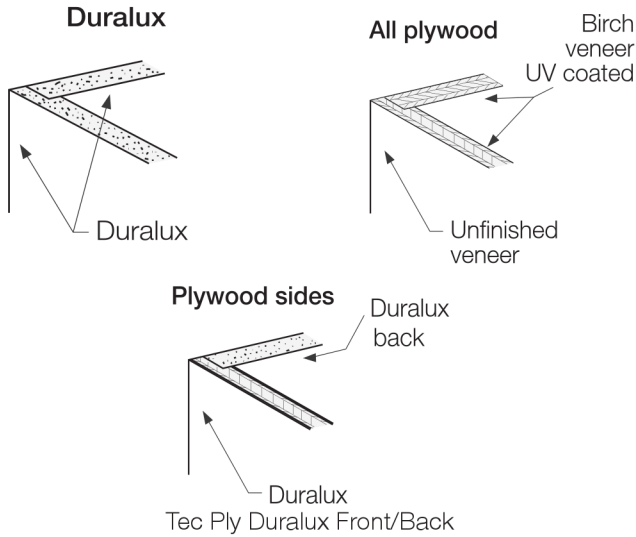
### Combine Cabinets COM



- Combined cabinets over 72" will be delivered on a skid to avoid damage.
- Maximum width/height is 96". Over 96" on a quote basis due to material limitations.
- Maximum width of a tall cabinet is 48".
- For stacked wall cabinets, see Transom Wall (TW) cabinets.

SKU	Wall	Base	Tall
Combine_Cabinet	15%	15%	15%
Combine_Cabinet_73_96	20%	20%	-

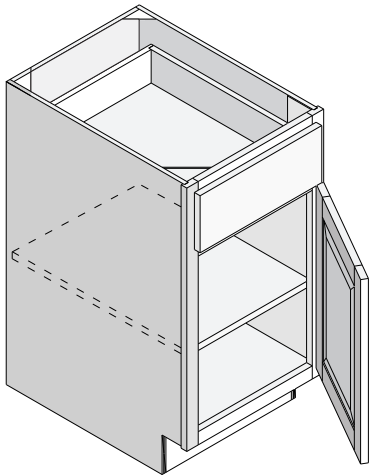
**Construction Method** **CONST**



- On a all Duralux job the painted ends will be made from Tec-Ply.
- Entire order must be Duralux, All Plywood or Plywood Sides construction. Individual cabinets on a kitchen order with different construction to be placed on separate orders.

SKU	Wall	Base	Tall
All Plywood	13%	13%	13%
Duralux	0%	0%	0%
Plywood Sides	5%	5%	5%

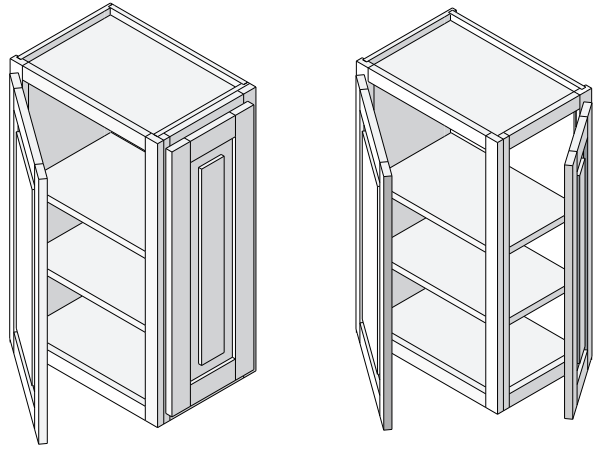
**Full Depth Shelf** **FDS**



- The standard 15-1/2" deep base shelf is increased to 22-1/2" deep.

SKU	Wall	Base	Tall
FDS	-	\$38	-

**Frame on End - Fixed** **FOE**

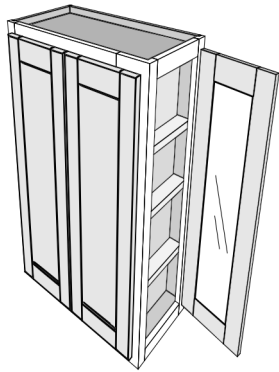


**Non-functional** **Functional**

- Overlay doors will add 3/4" to width of cabinet. (Inset orders will not be increased.)
- Functional FOE may be hinged left, right, both (Butt) or none. None is used with Mullion doors.
- Remember to add additional door charges. For tall frame on end add 2 additional door charges for hinge L or R, 4 if butt doors.
- Tall frame on end typically have 2 equal height doors. Send drawing if deviating from the standard. To match the face of the cabinet, please specify and we do this at no additional charge.
- Also can be ordered with mod XSTF\_Left (or Right). This will remove toe notch and run stile to floor.
- Also can be ordered with mod TOE (Toe on End). This will place toe space under frame on end.
- If no toe options are specified, the standard will be a toe notched end.
- Wall cabinets with modified frame like wide top rail or wide bottom rail will have the same done to the frame on end.
- Non-Functional FOE have a 1/2 panel behind the door. Use FOE\_HingeN when the door is a mullion door or PFI.

SKU	Wall	Base	Tall
FOE_HingeButt_Left (or Right)	\$663	\$737	\$1,682
FOE_HingeL_Left (or Right)	\$576	\$650	\$1,466
FOE_HingeN_Left (or Right)	\$576	\$650	\$1,466
FOE_HingeR_Left (or Right)	\$576	\$650	\$1,466
FOE_NF_Left (or Right)	\$576	\$650	\$1,466

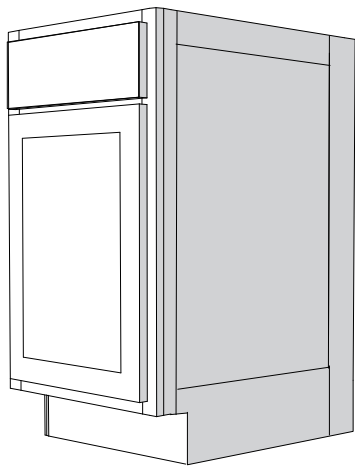
**Frame on End - Message** **FOE MSG**



- To order, specify Message Center on left or right side. Overlay doors will add 3/4" to width of cabinet. (Inset orders will not be increased.)
- Remember to add additional door charge.
- Comes with white board applied to back of door, Frame stile is widened to 4-1/2" to accommodate MSG center
- Internal depth of message center is 3-1/4" deep.

SKU	Wall	Base	Tall
FOE_MsgCenter_Left (or Right)	\$619	-	-

**Integrated Designer Panel** **IDP**

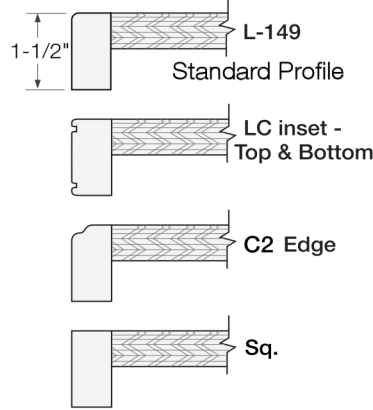


- N/A on mitered door styles. Frame on end or door on skin is recommended.
- If an integrated look is still required with a mitered door, the door can be altered from its original design to accommodate the integrated end.
- Mortise and Tenon (CRP-10) designer panel will be built integrated into the cabinet face frame.
- This does not change the overall width of the cabinet. Base and Tall cabinets will have front toe notch standard.
- Can be ordered with mod XSTF\_Left (or Right). This will remove toe notch and run stile to floor.
- Can be ordered with mod TOE (Toe on End). This will place toe space under integrated designer panel.

SKU	Wall	Base	Tall
IDP_Left (or Right)	\$811	\$937	\$2,126

**Lumber Edge** **LE**

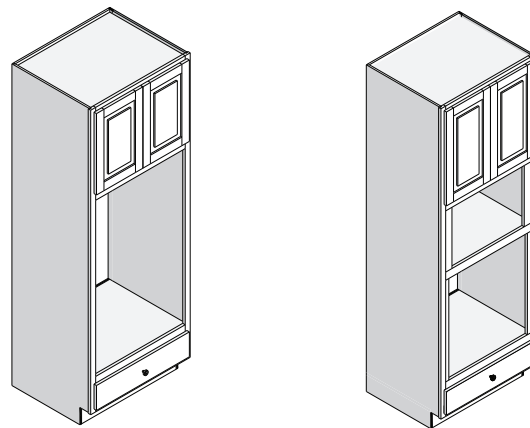
**Edge Options**



- Standard Profile will be L-149 if one is not chosen.
- Will be 3/4" thick and 1-1/2" wide. Please specify if profile is to be used along edge.
- Substitute profiles will add 10% to the modification price.
- Price is per shelf.

SKU	Wall	Base	Tall
LE-C2 Lumber Edge	\$101	\$101	\$101
LE-L149 Lumber Edge	\$101	\$101	\$101
LE-LC Lumber Edge	\$117	\$117	\$117
LE-SQ Lumber Edge	\$93	\$93	\$93

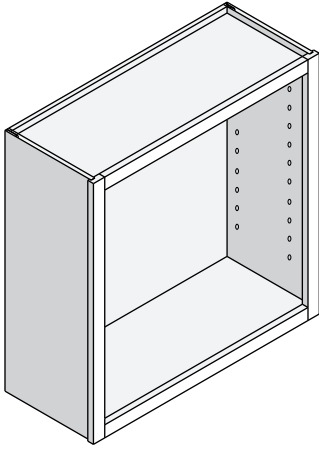
**Oven Cutout** **OCC**



- See Worksheet: **Oven Cabinet Worksheet** (page 4.11)
- Oven cabinet worksheet is required to order this modification.
- Maximum width of opening is 3" less than width of cabinet.
- Deep drawer version is available, specify w/DD.

SKU	Wall	Base	Tall
Oven Custom Cutout	-	-	\$331

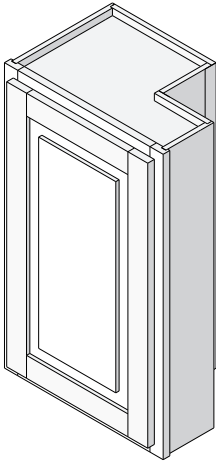
**Shelves OS**



- Shelf holes will still be added to the cabinet.
- This modification is for those who choose to add glass shelves in the field.

SKU	Wall	Base	Tall
Omit Shelves	-10%	-10%	-10%

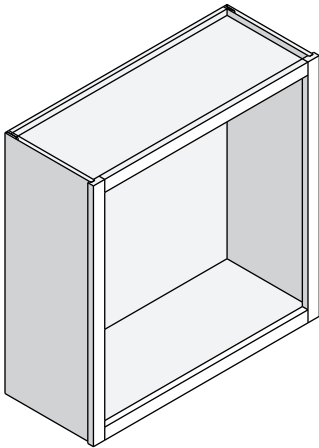
**Pipe Chase Cutout PCC**



- On cabinets with drawers, the drawer box will be held short and not notched,
- To order, please include drawing which details size and location of pipe chase cutout.
- "U" shape cutout can be done at the same charge.

SKU	Wall	Base	Tall
Pipe Chase Cutout	\$350	\$350	\$562

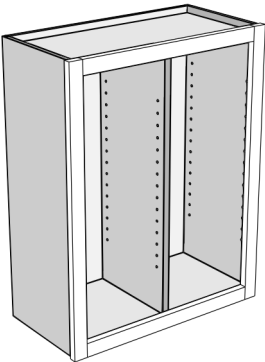
**Shelves OSH**



- Shelves will be provided but the cabinet will not have shelf holes.
- This modification is only used in conjunction with finished interior and mullion door cabinets, to line up the shelves with the mullions.
- The shelf pin hole size is 5mm in diameter.

SKU	Wall	Base	Tall
Omit Shelf Holes	0%	0%	0%

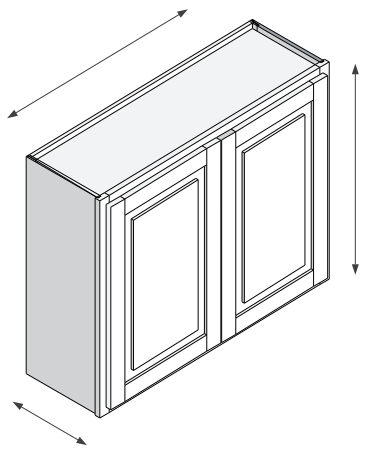
**Partition PAR**



- Specify if the Partition is centered or indicate the space to the left or right.
- A PAR is often used with tray dividers or rollouts.

SKU	Wall	Base	Tall
PAR Partition	\$130	\$130	\$130

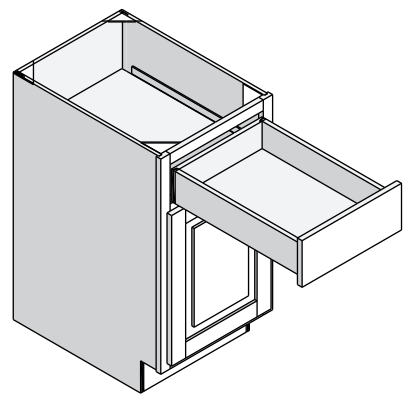
**Reduce or Increase Cab** **REDUCE**



- Sizes available to a 1/16" increment.
- To increase 12"D wall cabinets to 13"D add 9%.
- Able to increase depth by up to 6" with the reduce depth mod.
- Decrease depth with drawers, when the drawer becomes more than 2 times width vs. depth, Lateral Stabilizer will be used - see Drawer Box Mods for pricing.
- Increase depth over 24" will automatically increase the depth of a drawer or rollout. Drawer and rollouts will be increased to 24" (27" D cabinet) or 27" (30" D cabinet) for an additional \$162 per drawer (Blum 150 Track Mod).
- Increase height/width by quote or use the combine cabinet mod.
- Reduce Height - Drawer box height is determined by the opening height. Deduct 3/4" from the opening and match to the closest standard height. Standard heights include 10-1/2, 9, 7, 5-1/2, 4-1/2, 3-1/2 and 2.

SKU	Wall	Base	Tall
Reduce (Increase) Depth	\$187	\$200	\$391
Reduce Height	\$240	\$311	\$314
Reduce Width	\$240	\$311	\$314

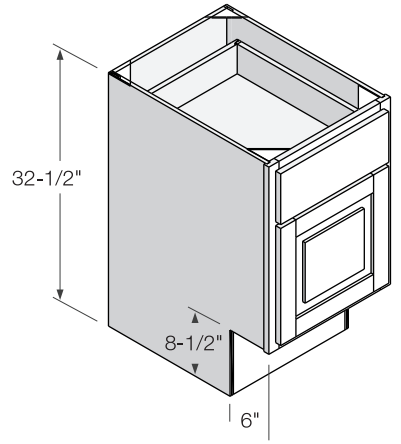
**Solid Dust Cover** **SDC**



- Fixed horizontal panel below drawer.

SKU	Wall	Base	Tall
SDC	-	10%	-

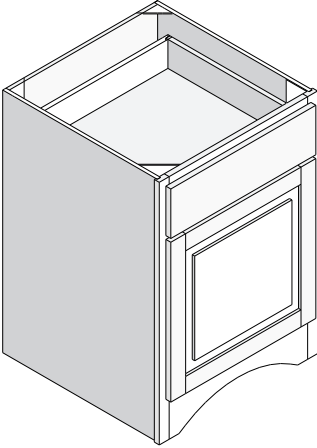
**Universal Access** **UAC**



- Base Waste will require a full height door.
- This modification will change the base height of a cabinet to 32-1/2" H.
- The toe space will be modified to 8-1/2" high and 6" deep.

SKU	Wall	Base	Tall
UAC Universal Access	-	10%	10%

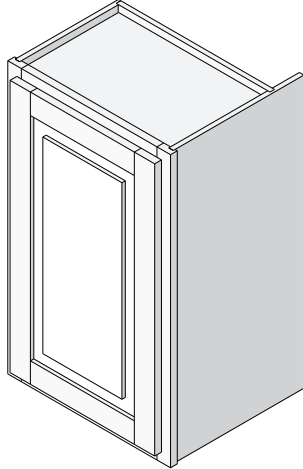
### Valance as Toe VTOE



- Toekick area behind valance will be finished.
- Edges of valance will be square.
- Toekick area is set back normal distance (3-1/2").
- To add a valance to the left or right see VTOE L/R.

SKU	Wall	Base	Tall
VTOE_A	-	\$568	\$568
VTOE_CF	-	\$568	\$568
VTOE_CV	-	\$568	\$568
VTOE_FV	-	\$568	\$568
VTOE_RA	-	\$568	\$568
VTOE_TV	-	\$568	\$568

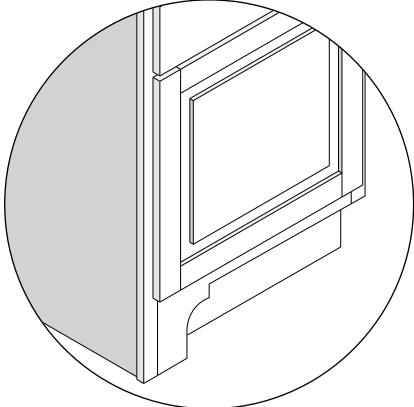
### Extend Side Back XSB



- To order specify left or right, and length of extension (1/16" increments).
- Back edge can be banded and finished. Please use Band\_Back modification.
- Can be extended back up 6" beyond standard cabinet depth.

SKU	Wall	Base	Tall
Band_Back_Left (or Right)	\$58	\$58	-
XSB_Left (or Right) to 6"	\$89	\$89	\$166

### Valance as Toe L/R VTOE L/R

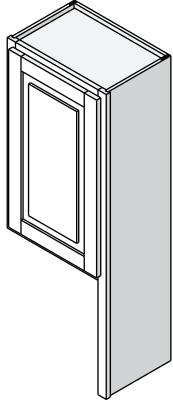


*VTOEL-FV shown*

- Toekick area is set back normal distance (3-1/2").
- Toekick area is not finished - please order matching toe kick (MTK).
- Edges of valance will be square.

SKU	Wall	Base	Tall
VTOE_CV_Left (or Right)	-	\$284	\$284
VTOE_FV_Left (or Right)	-	\$284	\$284
VTOE_TV_Left (or Right)	-	\$284	\$284

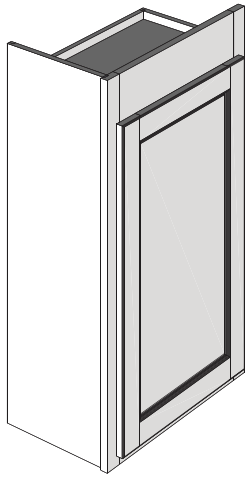
### Extend Side Down XSD



- This modification is often used in conjunction with an extended bottom rail.
- To order, specify left or right side and length of extension (1/16" increments).
- Stile will be extended with side.
- Maximum extension 18" and ends cannot exceed 96" high.
- Inside of extension will be finished to match exterior. Must add for finished end or flush finished end when needed.

SKU	Wall	Base	Tall
XSD_Left (or Right) to 18"	\$374	-	-
XSD_Left (or Right) to 6"	\$185	-	-

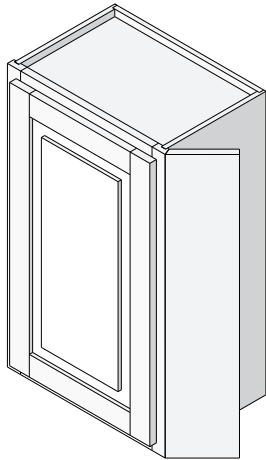
**Extend Side Up** **XSU**



- Specify height to 1/16".
- Typically used with Extended Top Rail (XTR) with the same dimension.

SKU	Wall	Base	Tall
XSU_Left (or Right) over 3" to 6"	\$136	-	\$136
XSU_Left (or Right) to 3"	\$91	-	\$91

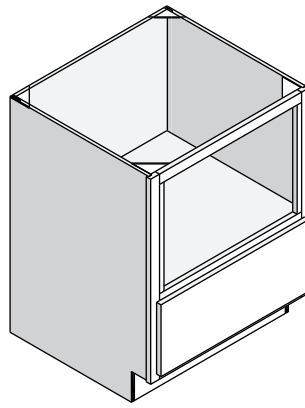
**Angled Style** **AS**



- **See Specification: Corner Installation Dimensions** (page 3.17)
- Always specify the angled stile length and at what angle from the face.
- For Example: W1830 w/AS\_Right 4-1/4" at 45 degrees. (This would yield an overall cabinet width of 21")
- Remember to add for fluting.

SKU	Wall	Base	Tall
AS06_Left (or Right)	\$273	\$273	\$470

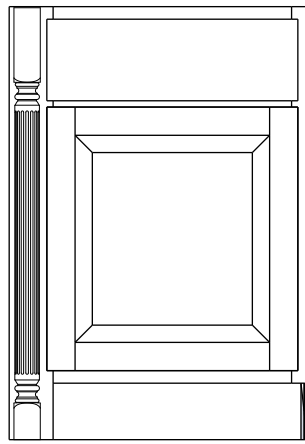
**Micro Cutout** **BMCC**



- Maximum cutout width is 1-1/2" less than overall cabinet width without frame on end or integrated designer panel.
- Cutout only requires manufacturer's trim kit information. Shelf support will be provided as a flush floor.
- Cutout with finished interior (FI): please specify required opening. Fixed shelf support will be provided with this option.

SKU	Wall	Base	Tall
BMC Cutout	-	\$305	-
FI-BMC Cutout	-	\$515	-

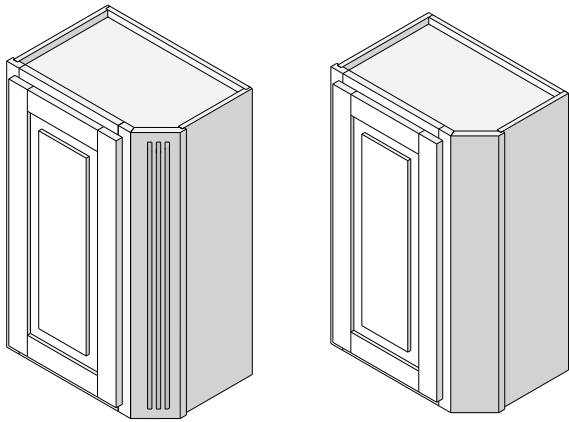
**Base Table leg** **BTL**



- **See Specification: Factory Installed Table Leg** (page 3.14)
- Please specify w/BTL\_Left (or Right) -XXX-1/2 Leg. XXX being the leg needed.
- 1/2 Leg Options: GRP 1/2, GRF 1/2, GRR 1/2, EC 1/2, ECDS 1/2, CFP 1/2, EEF 1/2, and MCP 1/2 legs. Add for 1/2 Leg.
- Charge includes wide stile, extended stile to floor and installation of selected leg.
- Toe options such as straight toe kick or valance toe must be specified if needed with an additional charge.

SKU	Wall	Base	Tall
BTL_Left (or Right)	-	\$460	-

**Clipped Corner CC**



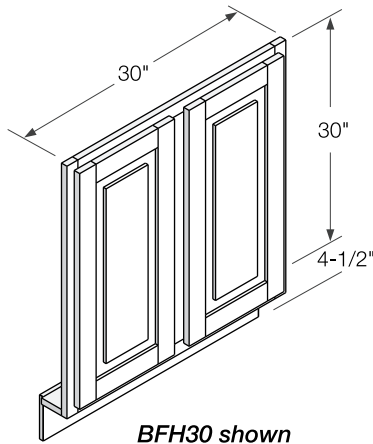
**Fluting**

**No fluting**

- To order specify frame on left or right, and # of inches to clip corner.
- Clipped Corner can be specified in 1/16" increments up to 6" with this modification.
- All clipped corners done at 45 degrees.
- For Example: W1830 w/CC\_Right 3". This would yield a 15" wide cabinet in the front. Overall cabinet width would be 18" wide. The right side of the wall cabinet would be 9" deep.
- Remember to add for fluting.

SKU	Wall	Base	Tall
CC_Left (or Right)	\$308	\$308	\$673

**Cabinet Front Only CFO**

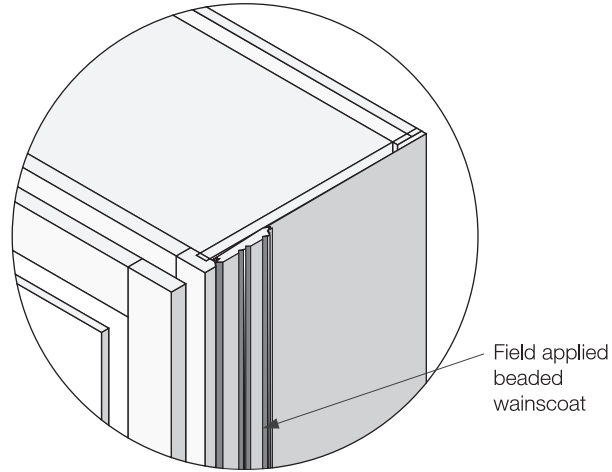


**BFH30 shown**

- Includes frame and doors with drawer fronts.
- Base fronts include 4-1/2" high toe kick.
- Remaining case cost will still have the wood and finish upcharges, but no construction upcharge.

SKU	Wall	Base	Tall
CFO	-25%	-25%	-25%

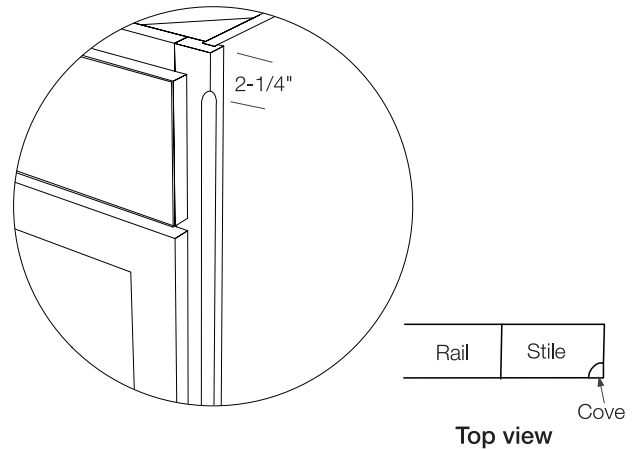
**Chamfer Stile CS**



- This modification is to prep a stile to accept wainscoat board, i.e., BW-03XX.
- To order, specify left or right stile. Chamfer stile will increase the width of the cabinet by 1/4".
- For Example: W1830 w/CS\_Right 18-1/4" W OA.

SKU	Wall	Base	Tall
CS_Left (or Right)	\$118	\$118	\$215

**Coved Edge CVED**

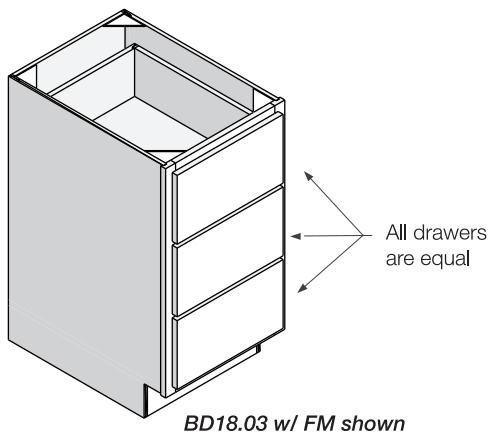


- OO\_1in (1/2in reveal) is required when coved edge is ordered on a full overlay or Euro FO cabinet.
- Cove edge available on any cabinet face frame.
- Standard location of coved edge will be 2-1/4" up from the bottom and 2-1/4" down from the top.
- On cabinets w/STK, coved edge is 6-3/4" up from the bottom.

SKU	Wall	Base	Tall
COVED_Left (or Right)	\$69	\$69	\$69



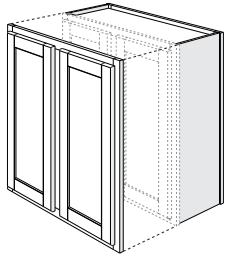
**Frame Modify** **FM**



- Use this to modify frame layout.
- Utility cabinets can be ordered with non-standard top openings to line up with your wall cabinets at no additional charge.
- Drawer box height will snap to the closest standard height. The maximum drawer height is 3/4" less than the opening. Standard drawer heights include 10-1/2, 9, 7, 5-1/2, 4-1/2, 3-1/2 and 2.
- Our maximum drawer height possible is 13" - please request a quote.
- Our minimum drawer width is 5-5/8 for a 6" opening.

SKU	Wall	Base	Tall
Frame Mod	20%	20%	10%

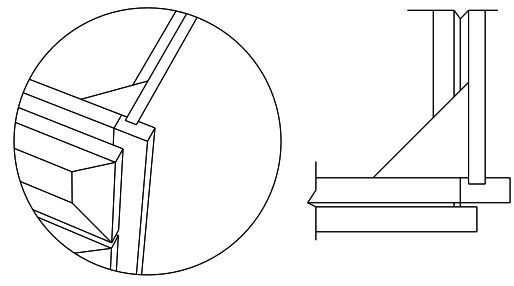
**Peninsula Cabinet** **Penn**



- This will add a face frame and operable doors to another side of a cabinet.
- Please include a sketch and indicate hinging, stile and toe options.

SKU	Wall	Base	Tall
Peninsula_Cabinet	65%	65%	-

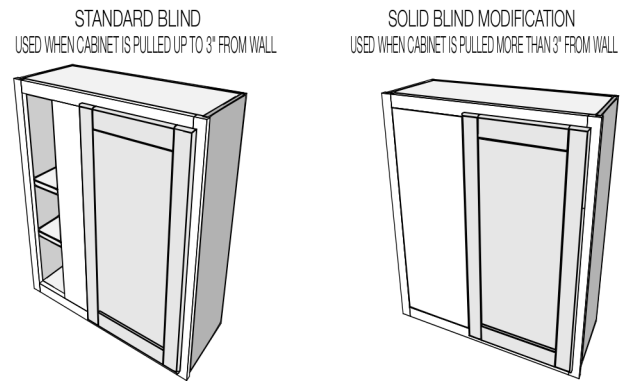
**Finish Stile** **RevS**



- Use the finish stile mod to insure the edge is finished.
- The stile of the cabinet is reversed so there is a 3/4" ear behind. This can be used to cover the edge of a panel.
- The overall width of the cabinet does not change.

SKU	Wall	Base	Tall
Finish_Stile_Left (or Right)	\$0	\$0	\$0
Reverse_Stile_Left (or Right)	\$84	\$84	\$84

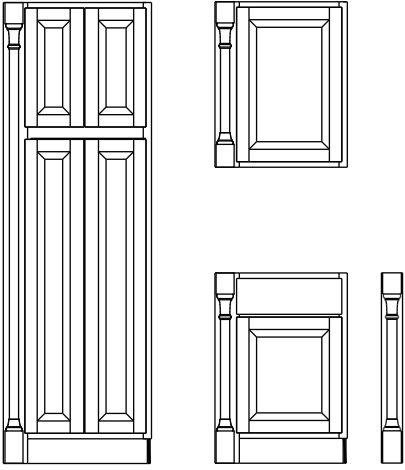
**Solid Blind** **SBlind**



- This will fill in and finish the blind section of a base or wall corner cabinet.

SKU	Wall	Base	Tall
Solid_Blind	25%	25%	-

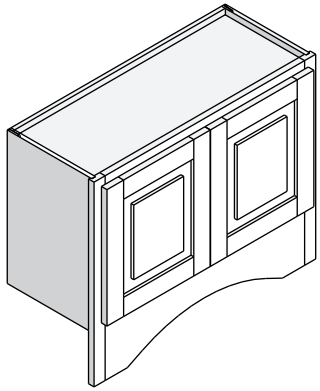
### Square Column Onlay SCO



- Not available in Hickory, Quarter -sawn White Oak or Red Birch. Available in Alder as a substitute for Red Birch.
- Please see page 3.16 for specifications

SKU	Wall	Base	Tall
SCO_Center	\$716	\$716	\$992
SCO_Left (or Right)	\$716	\$716	\$992

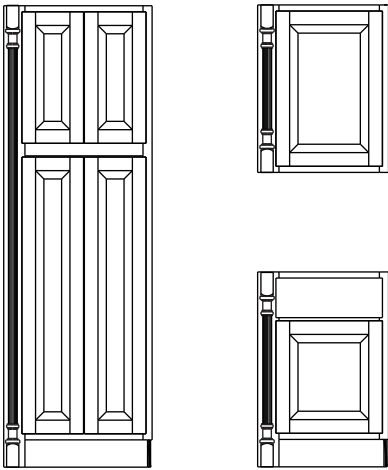
### Valance Bottom Rail VBR



- The 6" H option is for Full Overlay or Euro Full Overlay where the door covers the valance.
- This modification will add 4-1/2" or 6" to the height of the cabinet.
- You must specify and charge for sides or back to be extended down.

SKU	Wall	Base	Tall
VBR_A (4-1/2 or 6)	\$237	-	-
VBR_CV (4-1/2 or 6)	\$316	-	-
VBR_FV (4-1/2 or 6)	\$316	-	-
VBR_RA (4-1/2 or 6)	\$237	-	-
VBR_STR (1-5/8 to 6)	\$175	-	-
VBR_TV (4-1/2 or 6)	\$316	-	-

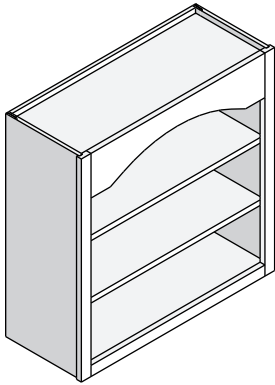
### Spindle Onlays SPO



- Available in Hard Maple, Cherry and Alder. Alder is a substitute for Red Birch.
- Please see page 3.15 for specifications

SKU	Wall	Base	Tall
SPO_Center	\$757	\$833	\$936
SPO_Left (or Right)	\$757	\$833	\$936

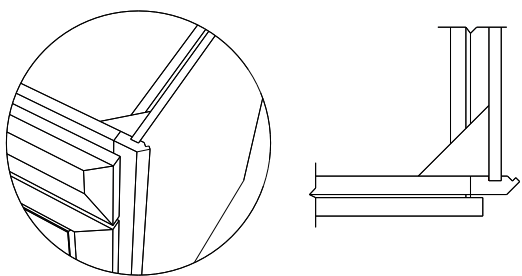
### Valance Top Rail VTR



- Also can be ordered with OFI (open finished interior).
- Standard valance height will be 6". Can be ordered at a reduced height at no additional charge as long as it is possible to the design of the valance.

SKU	Wall	Base	Tall
VTR_A	\$237	\$237	\$237
VTR_CV	\$316	\$316	\$316
VTR_FV	\$316	\$316	\$316
VTR_RA	\$237	\$237	\$237
VTR_STR (1-5/8 to 6)	\$175	\$175	\$175
VTR_TV	\$316	\$316	\$316

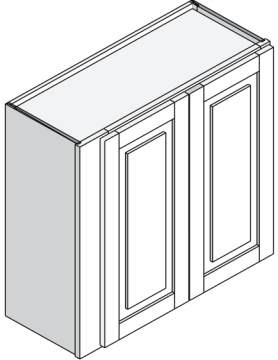
**WD Stile** **WDS**



- Substitutes a 45 Degree angle stile from a WD cabinet. This helps to turn a run of cabinets 45 degrees.
- Width of cabinet face is the same.
- Odd Overlay (OO) may be required for proper clearance.

SKU	Wall	Base	Tall
WD_Stile_Left (or Right)	\$115	\$115	\$115

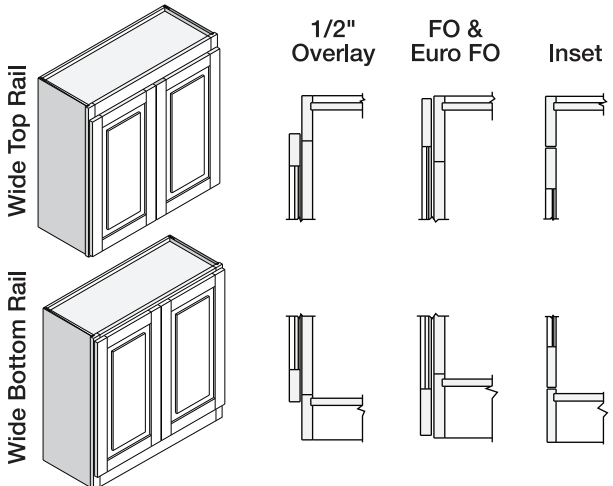
**Wide Stile** **WS**



- Overall width of cabinet will be maintained.
- To order specify left or right and width of wide stile.
- The width specified will be the actual width of the stile. The reveal is the stile width less the door overlay, i.e., 7-1/2" wide stile in full overlay nets a 6" wide nominal reveal (6-3/16" actual).
- The wide stile side of the cabinet still has the standard 1/4" ear.
- Order Example: WB3630 w/WS\_Left 6". (Cabinet opening width is 28 1/2".)

SKU	Wall	Base	Tall
WS_Left (or Right) over 3" to 6"	\$229	\$229	\$414
WS_Left (or Right) to 3"	\$118	\$118	\$209

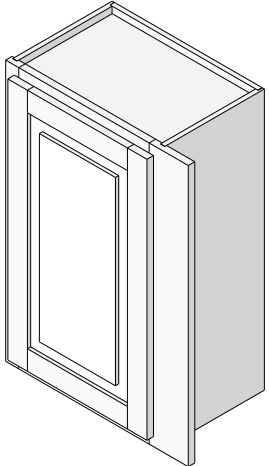
**Wide Rail** **WR**



- To order please specify wide top/bottom rail and width of rail (1/16" increments).
- Overall height of cabinet will be maintained.
- WBR allows room for under-cabinet lighting (3/4" recess standard).
- WTR allows room to attach crown molding.
- Full/Euro Full Overlay - use HDU or HDD modification to call out the desired reveal.

SKU	Wall	Base	Tall
WBR over 3" to 6"	\$229	\$229	\$229
WBR to 3"	\$118	\$118	\$118
WTR over 3" to 6"	\$229	\$229	\$229
WTR to 3"	\$113	\$113	\$113

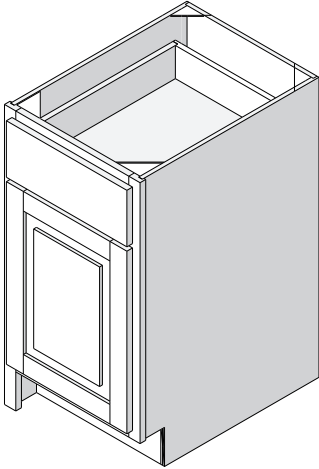
**Extended Stile** **XS**



- To order, specify left or right side and length of extension (1/16" increments).
- Order Example: W1536L XS\_Right 3" (18" W OA)

SKU	Wall	Base	Tall
XS_Left (or Right) over 3" to 6"	\$200	\$200	\$362
XS_Left (or Right) to 3"	\$99	\$99	\$180

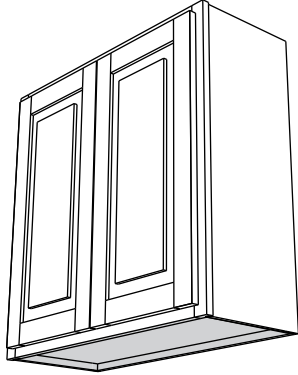
**Extend Stile to Floor** **XSTF**



- Extend left or right stile to floor.
- May be useful when using modification FOE (Frame on End)

SKU	Wall	Base	Tall
XSTF_Left (or Right)	-	\$116	\$116

**Finished Bottom** **FB**

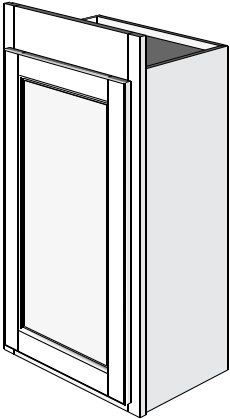


- Not flush, 3/4" recess under cabinet. 1/4" gap on both sides will be maintained.

Shaded area is finished

SKU	Wall	Base	Tall
FB12-30	\$93	-	-
FB33-48	\$115	-	-

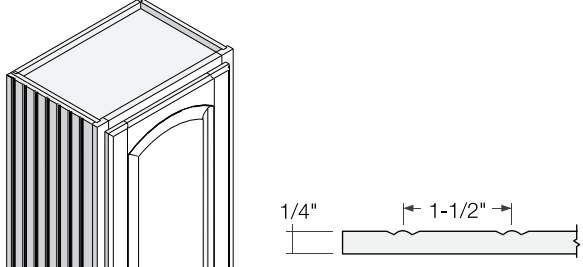
**Extended Top Rail** **XTR**



- Specify height to 1/16".
- Extend Side Up (XSU) must be used when the cabinet side is finished.

SKU	Wall	Base	Tall
XTR over 3" to 6"	\$224	-	\$224
XTR to 3"	\$118	-	\$118

**Flush Beaded End** **FBE**

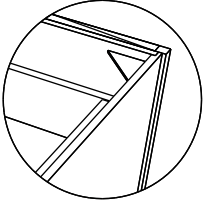


**1-1/2" beads O.C.**

- Available on cabinet 96" and shorter.
- 1/4" Beaded Panel Applied to Side of Cabinet

SKU	Wall	Base	Tall
FBE_Left (or Right)	\$318	\$318	\$438

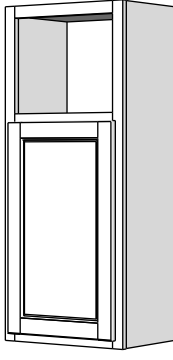
### Finish Back FBK



- Exterior Back to be finished
- A finished 3/4 plywood back is added to the cabinet. The overall depth is increased.
- Panel is banded with a lumber edge.
- This Method is not available on cabinets with FOE(S) sides. A 3/16 panel will need to be ordered as A separate line number and applied on site for A near flush Finished Back
- Available up to 48" wide.
- Finished Back is not available on tall cabinets

SKU	Wall	Base	Tall
Finished_Back	-	\$261	-

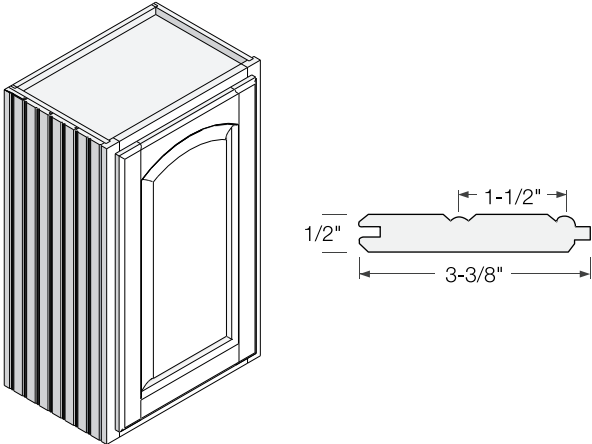
### Finish Cabinet Section FCS



- For use on cabinet opening up to 24" high without shelving.
- Sides and back of opening will be paneled with finished veneer.
- **Not available in Euro FO since the panels interfere with the hinges.**

SKU	Wall	Base	Tall
Fin_Cabinet_Section	25%	25%	30%

### Flush Beaded Wainscoat End FBWE

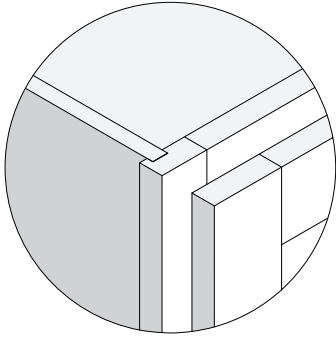


1-1/2" beads O.C.

- This modification will not add to the width of the cabinet.
- 1/2" Beaded Wainscoat Applied to Side of Cabinet.

SKU	Wall	Base	Tall
FBWE_Left (or Right)	\$690	\$856	\$1,699

### Finished End FE

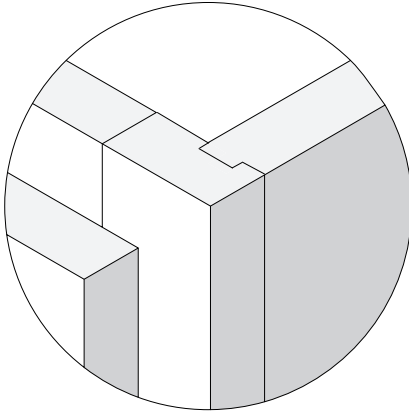


- This cost is added to the case price which will be subject to wood and finish premiums.
- Finished ends are Veneer.

SKU	Wall	Base	Tall
FE_Left (or Right)	\$52	\$82	\$181

**Near Flush Finished End**

**FFE**

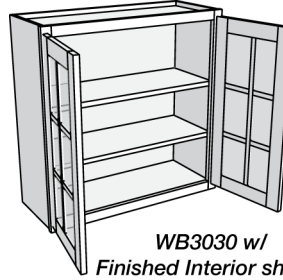


- The FFE charge includes a FE charge. Wood and finish premiums are applied to the FE portion. For example, FFE for a wall is \$335; \$52 of that receives wood and finish premiums. \$284 is a modification. Your acknowledgement reads this way.
- 1/32" tolerance allowed between side and cabinet frame to create a near flush end.
- Flush side constructed with 3/4" plywood, natural finished interior.
- There will be a visible seam between front frame and flush side.

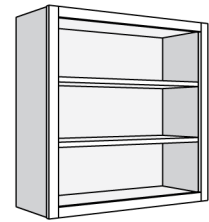
SKU	Wall	Base	Tall
FFE_Left (or Right)	\$335	\$336	\$478

**Finished Interior**

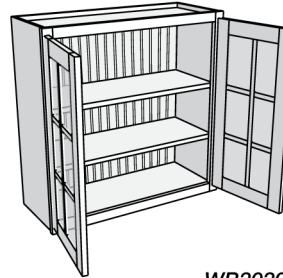
**FI**



*WB3030 w/  
Finished Interior shown*

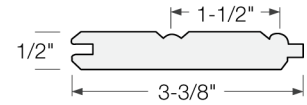


*WB3030 w/ Open  
Finished Interior shown*

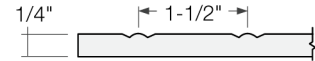


*WB3030 w/  
Finished Interior + Beadboard or Wainscoat shown*

**Beaded Wainscoat (BW)**



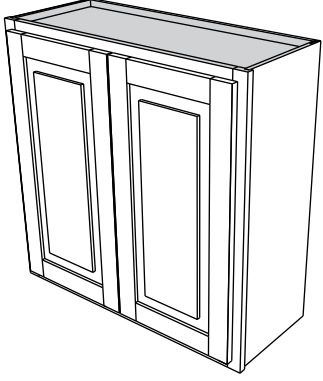
**Plywood Beadboard**



- Matching finished veneer interior.
- FI-BdBk finished interior with 1/4" beadboard back.
- OFI will have no doors. Matching finished veneer interior. Please specify if 3" center stile is needed.
- FI-WainBk finished interior with 1/2" thick wainscoat.
- Beadboard or Wainscoat can be finished in different wood and finish upon request. This will be processed as a custom finish and will be charged the most expensive wood and finish option used. If they are both N/C, then 5% will be added.

SKU	Wall	Base	Tall
FI	50%	50%	50%
FI-BdBk (BeadBoard)	65%	65%	65%
FI-WainsBk (Wainscote)	75%	75%	75%
OFI	30%	30%	30%
OFI-BdBk (BeadBoard)	45%	45%	45%
OFI-WainsBk (Wainscote)	55%	55%	55%

### Finished Top FT

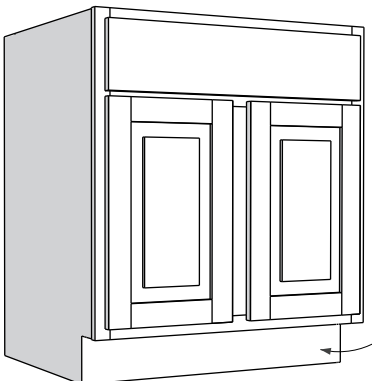


- Exterior top of cabinet will be finished.
- Not flush, 3/4" recess on top of cabinet. 1/4" gap on both sides will be maintained.

Shaded area is finished

SKU	Wall	Base	Tall
FT12-30	\$93	-	\$93
FT33-48	\$115	-	\$115

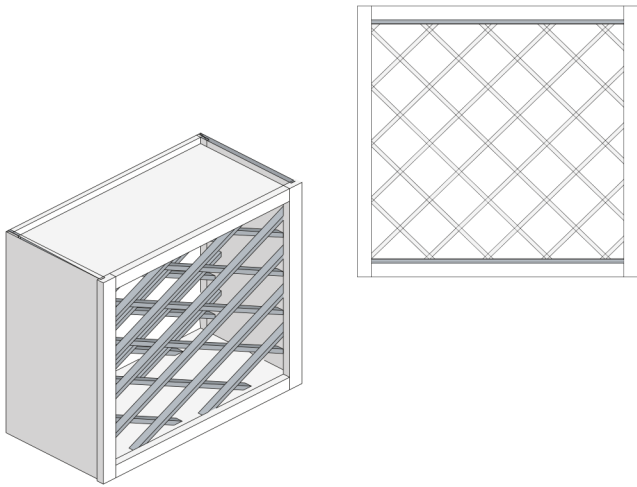
### Finished Toe Kick FTK



- Matching finished veneer on toe board.
- Only Available on stand alone cabinets with no additional mods. Use MTK for multiple cabinets.

SKU	Wall	Base	Tall
FTK	-	\$100	\$100

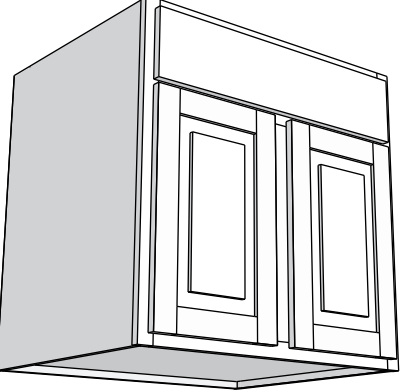
### Wine Rack WRFI



- Maximum size for wine rack cabinet is 33" wide x 48" high or 48" wide x 33" high.
- Minimum size for wine rack cabinet is 12" wide x 12" high. (Width or height can't be less than 12")
- There are approximately 4 openings per square foot.

SKU	Wall	Base	Tall
WR-FI	60%	60%	60%

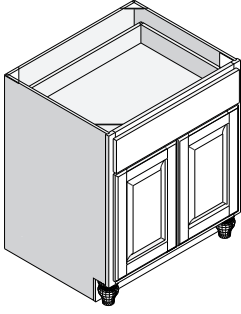
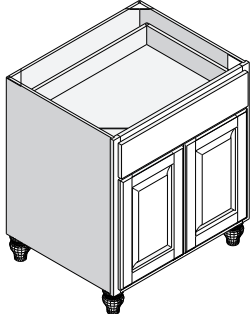
### No Toe DTK



- Case height is reduced by 4-1/2".
- Intended for use with bunn feet or customer supplied toe base.

SKU	Wall	Base	Tall
DTK	-	\$0	\$0

### Prep For Bunn Foot PREPBF


**With Toe**

- Charge is on a per bunn foot basis. Please specify for center block for wider cabinets if it applies.
- Poplar filler added to bottom corners underneath cabinet to flush bottom for field application.
- Foot shipped loose to avoid shipping damage and for customer specified location of foot.

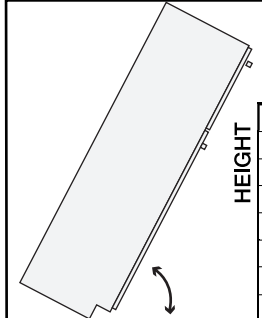
**Without Toe**

SKU	Wall	Base	Tall
PREPBF (each)	-	\$42	\$42

### Ship Toe Loose STL



**Ceiling height needed to stand up a Tall cabinet**

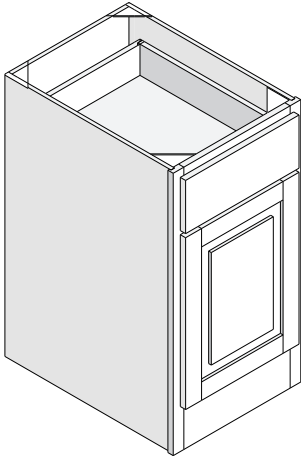


		DEPTH			
		12"	18"	21"	24"
HEIGHT	84"	84-7/8	86	86-5/8	87-3/8
	87"	87-7/8	89	89-1/2	90-1/4
	90"	90-7/8	91-7/8	92-1/2	93-1/4
	93"	93-7/8	94-3/4	95-3/8	96-1/8
	96"	96-3/4	97-3/4	98-3/8	99
	102"	102-3/4	103-5/8	104-1/4	104-7/8
	108"	108-3/4	109-1/2	110-1/8	110-3/4
114"	114-3/4	115-1/2	116	116-1/2	

- This modification is useful for Base Easy Reach and Easy Reach Diagonals to fit cabinet through doorways. This would yield a base cabinet 30" H to be put on end to get into a room.

SKU	Wall	Base	Tall
Loose ToeKick	-	\$69	\$69

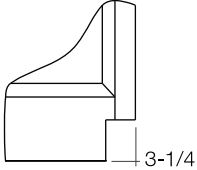
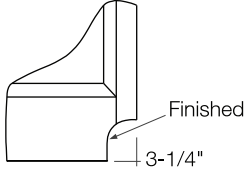
### Straight Toe Kick STK



- Both stiles will be extended to floor with a 6" bottom rail in between. No toe recess.

SKU	Wall	Base	Tall
STK	-	\$223	\$223

### Toe Notch Panel TNP

Toe notch - TNP

Radius toe notch - TNPR

- Specify Left or Right sides to be notched.
- Designer panels with notch will be 3-1/4" wide x 4-1/2" high for the loose MTK-08 to butt up to. Standard toe notch on cabinet is 3-1/2" wide x 4-1/2" high.

SKU	Wall	Base	Tall
TNPR_Left (or Right)	-	\$59	\$59
TNP_Left (or Right)	-	\$59	\$59



### Toe Space TOE

- Specify Left, Right or Back, i.e., TOE\_Left.
- Toe depth is 3-1/2".
- Cabinet will be prepped with toe recess along a side with notch added to back of cabinet.

SKU	Wall	Base	Tall
TOE_Back	-	\$244	\$244
TOE_Left (or Right)	-	\$244	\$244

### Heel w/Heel

- Heel to match molding length.

SKU	Wall	Base	Tall
w/ HEEL (for molding)	\$128	-	-

### Fluting FL

- Type A is the standard way fluting will be done unless another style is specified.
- Type B 6" wide will have 2 long center flutes.
- Base or tall fillers designated with straight toe kicks will have fluting stop 6" from bottom.
- Clipped corner modification will require minimum 3" clip.
- Wide stile modification requires 4-1/2" wide overall stile minimum.
- Extended stile modification requires a minimum 3" extension.

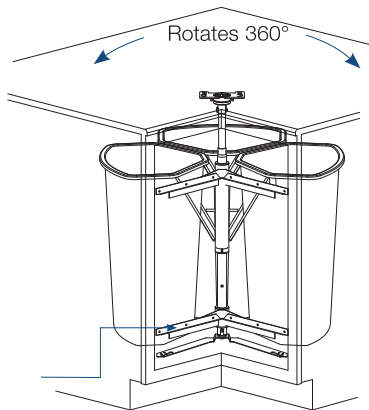
SKU	Wall	Base	Tall
FL - Type A	\$119	\$119	\$194
FL - Type B	\$119	\$119	\$194

### Cloud BC-CLOUD

- Will fit BC cabinets 42", 45", 48" only.
- BCFH is recommended.
- Features a Maple melamine shelf with steel surround. Maximum load of 55 lbs. per shelf.
- Shelves must be located above and below door hinges. Shelf will also be full depth.
- The BC\_Cloud42(L)(R) shelves have a total of 5.0 sf of storage.
- The BC\_Cloud45(L)(R) shelves have a total of 6.5 sf of storage.
- The BC\_Cloud48(L)(R) shelves have a total of 7.3 sf of storage.

SKU	Wall	Base	Tall
BC_Cloud42L	-	\$2,279	-
BC_Cloud42R	-	\$2,279	-
BC_Cloud45L	-	\$2,298	-
BC_Cloud45R	-	\$2,298	-
BC_Cloud48L	-	\$2,302	-
BC_Cloud48R	-	\$2,302	-

**Enviro Baskets** **BER-EVB**

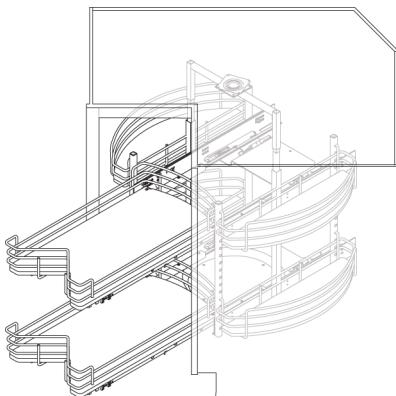


RRC28PT-W

- Three recycling bins sized to fit a 36 x 36 BER.

SKU	Wall	Base	Tall
BER_EVB	-	\$568	-

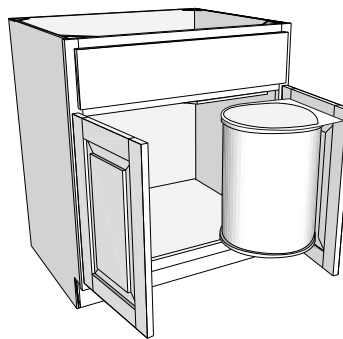
**Lazy Susan Drawer System** **BER-LSDS**



- Designed to fit 36 x 36 BER and BERD.
- Wire finish is frosted nickel.
- The unit rotates left and right 90 deg to give access to 4 adjustable shelves on the sides.
- This revolving unit features 2 slide out center shelves on full-extension soft-close slides.

SKU	Wall	Base	Tall
BERD_LSDS (diagonal)	-	\$1,829	-
BER_LSDS	-	\$1,829	-

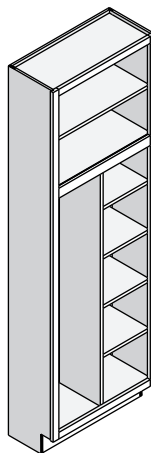
**Built-In Waste Bin** **BIW**



- Excellent choice for composting.
- The lid stays in the cabinet as the door opens.
- This will be mounted on the right door unless specified left.
- 15 liter container; unit is 11" diameter x 15-3/4" H; 13-3/4" w x 20" h minimum opening.
- When installed in SBB27 cabinets, the opposite door has to open first.
- This will add the Rev-A-Shelf part 8-010314-15 to your base cabinet.
- **Not available on inset.**

SKU	Wall	Base	Tall
Built-In Waste Bin Stainless Steel	-	\$357	-

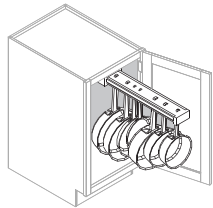
**Broom Partition** **BPSK**



- This modification when added to a Utility Cabinet will add a fixed partition centered to the lower section. Please specify which side you will need the shelf kit on.
- If the partition is to be offset it must be specified.
- If larger opening is needed to fit taller mops/brooms, please remember to add the Frame Modification charge.

SKU	Wall	Base	Tall
BPSK	-	-	\$202

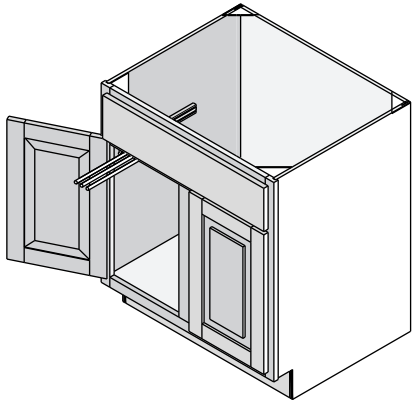
**Glideware Pullout** **GLP**



- Solid Maple full extension pullout with 5 adjustable zinc hooks.
- Recommended in a BFH18 for cookware or Utility cabinet for brooms.
- Dimensions 22" L x 4-1/4" W x 3" H - 5" H including hooks.
- Pots and Pans not included.

SKU	Wall	Base	Tall
Glideware_Pullout	-	\$590	\$590

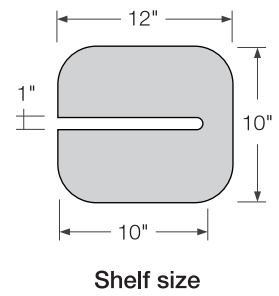
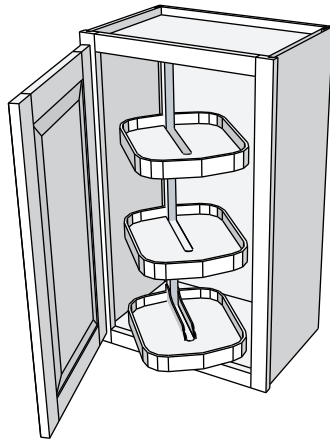
**Towel Bar** **PTB**



- This will add the Rev-A-Shelf part 563-47C to your base cabinet.
- Towel bar will be mounted on the Left unless specified Right.

SKU	Wall	Base	Tall
TB - Chrome	-	\$82	-

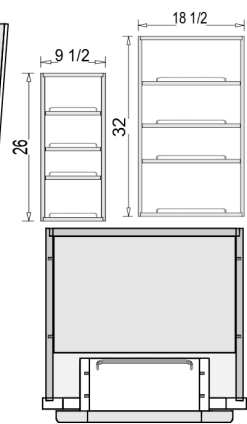
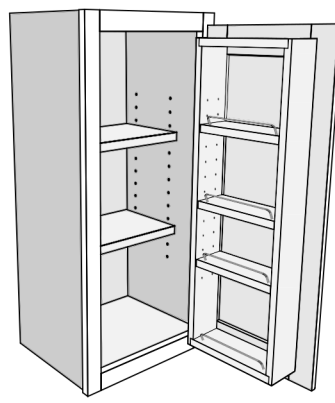
**Reverse A Rack** **RR**



- Available on 15" - 24" wide cabinets.
- Cabinets with Frame on end (FOE) and Integrated Designer Panels (IDP) have to be increased in width by 1/2" per side for the RR to work properly.
- For 27" high openings or less.

SKU	Wall	Base	Tall
RR1530	\$694	-	-
RR1830	\$720	-	-
RR2130	\$751	-	-
RR2430	\$861	-	-

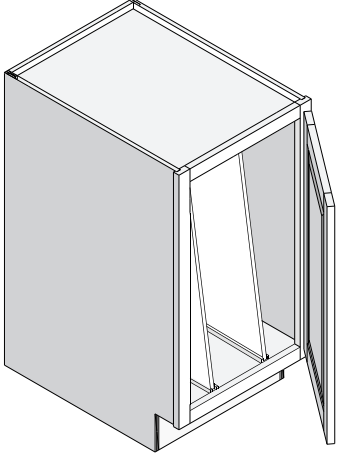
**Spice Rack** **SR**



- 5/8" Maple Rack mounted on door. Shelves in cabinet will be 6" deep.
- Shelves are adjustable.
- Limited to the widths and heights shown above

SKU	Wall	Base	Tall
SR 15 (or 18)	\$280	\$280	\$280
SR 21 (or 24)	\$327	\$327	\$327

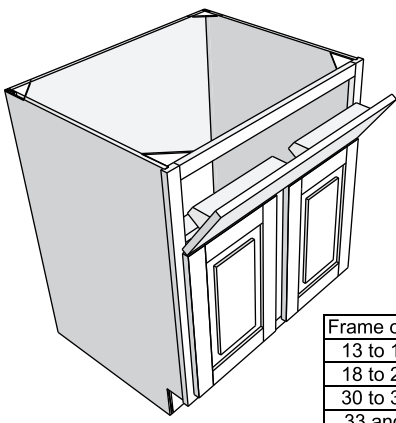
### Tray Divider TD



- Removable wood tray divider. Will be centered or evenly spaced automatically.
- Can be added to cabinet and setup to be to one side of cabinet, i.e., WB3618.24 2 TD's RIGHT SIDE.

SKU	Wall	Base	Tall
TD	\$118	\$118	\$118

### Utility Tilt-out Tray UT

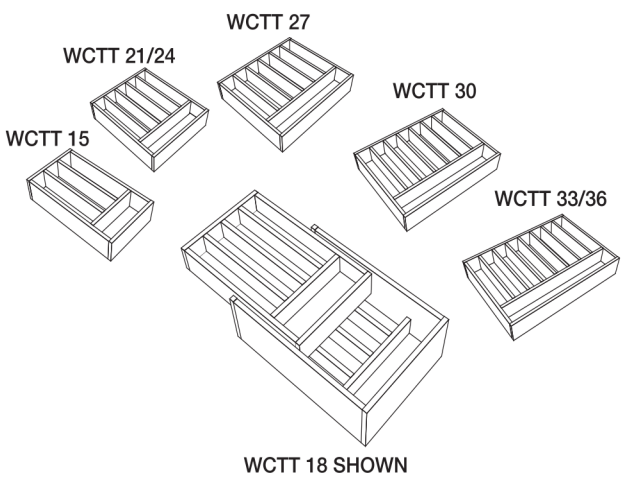


Frame opening	Qty	Tray Size
13 to 17-7/8	1	11-1/4
18 to 29-7/8	1	14-1/4
30 to 32-7/8	2	11-1/4
33 and over	2	14-1/4

- The hinge used has soft close. The soft close may be removed if it interferes with the sink.
- Slim (6542) series is used from Rev-A-Shelf to better fit with undermount sinks.
- The cabinet should be 6" larger than the sink to avoid interference with the hinges.

SKU	Wall	Base	Tall
UT Tray	-	\$126	-

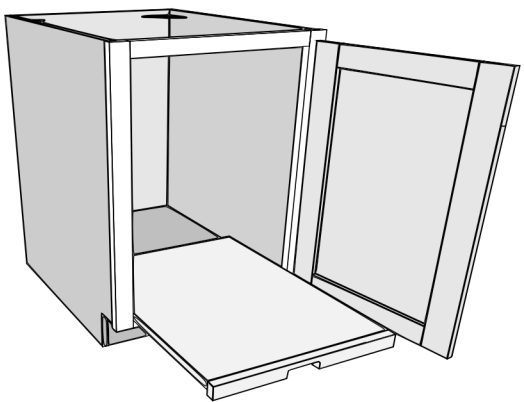
### Wood Cutlery Two Tier WCTT



- Top cutlery tier is mounted with side mounted drawer tracks.
- Available on 15" - 36" wide cabinets.
- Top tier extends inward into cabinet.

SKU	Wall	Base	Tall
WCTT 15	-	\$329	-
WCTT 18 (21 or 24)	-	\$450	-
WCTT 27 (30, 33 or 36)	-	\$622	-

### Rollout Shelf ROS



- Mounts to the cabinet floor using telescoping full extension slides. These are rated at 100 lbs and are not soft close.
- Ideal for wireless printers or other electronics.
- 3/4" plywood shelf has a lumber edge with routed hand grip.

SKU	Wall	Base	Tall
ROS	-	\$209	-

- Indicates item is not available

### Rollout Tray ROT

ROT 2-1/2"

ROT w/ height to 4-1/2"

ROT w/ height to 7"

ROT w/ BS

- Includes soft-close full extension undermount drawer track
- Not available on 12" deep cabinets
- Openings on bottle storage are 4" x 4"
- Rollout trays for cabinet larger than 36" must be quoted. In most cases there will be a center stile with a partition with rollouts on either side.
- Single rollout will be floor mounted to allow for adjustable shelf above.
- 7" H ROT is not available with concealed cup hinges.
- Roll outs and drawer boxes will not be finished if the interior of the cabinet is finished. They will remain maple/natural.

SKU	Wall	Base	Tall
ROT 12 (or 21)	\$203	\$203	\$203
ROT 24 (or 27)	\$225	\$225	\$225
ROT 30 (or 36)	\$242	\$242	\$242
ROT Height to 4-1/2" (Add)	\$17	\$17	\$17
ROT Height to 7" (Add)	\$31	\$31	\$31
ROT-BS (Add)	\$241	\$241	\$241

### Rollout Tray Divider ROT-TD

- Only available on 24" deep cabinets.
- Tray will need to be narrowed for concealed inset cup hinges.
- Cabinets 12 to 21 wide will get 3 trays.
- Cabinets 24 to 27 wide will get 4 trays.
- Cabinets 30 to 33 wide will get 5 trays.
- Cabinets 36 wide will get 6 trays.

SKU	Wall	Base	Tall
ROT-TD 12 (to 21)	-	\$397	-
ROT-TD 24 (to 27)	-	\$487	-
ROT-TD 30 (to 36)	-	\$575	-

**Woods & Finishes**

Custom Color	6.5
Paint Upcharges	6.4
Wood Descriptions (1 of 2)	6.1
Wood Descriptions (2 of 2)	6.2
Wood/Stain Upcharges	6.3

## Wood and Finish Description

**Red Oak** - All colors work well on Red Oak. Lighter colors such as Natural, Honey Glow and Sundance are enhanced by Candlelight Cabinetry's use of select Red Oak. Wild grain and off-color (greenish, gray and dark colors) will be culled out. Minimum stave width of 2 inches. Doors are assembled with some consideration for grain flow and uniformity.  
*\*Available in Rustic as well.*

**Cherry** - Lighter finishes such as Natural, Honey Glow and Sundance will allow character marks (including brown pitch flecks, small gum pockets and pin knots) to show through the finish. Pin knots the size of a pencil eraser can be expected. Many consumers do not realize the extreme variations of color tones inherent in cherry wood. This effect is considered desirable by some and undesirable by others. Select Cherry will have character marks and up to 3% sapwood. Sapwood, large and dark mineral marks will be culled out. Wild grains and grains not indicative of cherry will also be culled out. Minimum stave width of 2 inches. Doors are assembled with some consideration for grain flow and uniformity.

*\*Available in Rustic as well.*

**Hickory** - Hickory will have extreme variations in grain pattern as well as color. Color can vary from white to black. Extremely vivid mineral marks should be expected. These variations are evident in all stain colors. Before ordering Hickory cabinetry, a customer should be given the opportunity to view samples and/or displays that will fully demonstrate the variations in Hickory. Minimum stave width of 2 inches. Doors are assembled with some consideration for grain flow and uniformity. This result is a better looking Hickory door.

*\*Available in Rustic as well.*

**Red Birch** - Red Birch is especially interesting when done in a Natural finish. This allows for the iridescent appearance of the open grain patterns. When finished in Embers, Espresso and Burnished, these open grains will absorb the darker stain tones taking on a blotchy appearance, which is considered desirable by some and undesirable by others. Our select Red Birch comes from the golden brown heartwood of the Birch tree. Grayish and off-color boards will be culled out. Minimum stave width of 2 inches. Doors are assembled with some consideration for grain flow and uniformity.

**Maple** - Light stains work well on Maple. Darker stains such as Burnished, Embers, Espresso and Burgundy, when applied to Maple can take on a blotchy appearance. Select Maple can also possess rift marks which could be interpreted as defects in the staining process; however, they are just part of the natural beauty of Maple wood. Rift marks show up in all finishes; however, they are most evident in darker stains. Select Maple will also contain dark brown character marks, which are most evident in the lighter finishes. We recommend that a sample door be ordered and approved by customer prior to placing order. Grayish, off-color boards and wild grain patterns will be culled out. Minimum stave width of 2 inches. Doors are assembled with some consideration for grain flow and uniformity.

*\*Available in Rustic as well.*

**Bamboo** – Bamboo has been called the fastest growing renewable resource. It can be harvested every 4-5 years. Candlelight offers Bamboo in a vertical grain, caramelized and finished Natural. For a quote, please send a layout. Quote process will check door style and accessory availability. Expect major variations in color from door to door and in each door. Veneer doors are not available, solid only.



**Quarter-sawn White Oak** – Quarter-sawn Oak is cut from White Oak trees. The wood color varies from a white gray brown to a slightly darker green brown. In the early 20<sup>th</sup> century, this wood became a hallmark or signature of the Arts and Crafts style. Most customers appreciate this style and order corresponding cabinetry. As the name implies, quartersawn oak is produced in a certain manner which emphasize the woods medullar ray fleck and other unique grain patterns. Most stains highlight the beauty of these ray flecks and grain patterns. Medium to dark stains along with a wiping glaze can give a traditional period look. Minimum stave width of 2 inches.

**Walnut** - Walnut is traditionally known for high-end and fine furniture work. The wood varies in color from light creamy brown to dark rich chocolate or even purplish brown. Walnut is beautiful with a natural finish and takes all stains well. Select Walnut has such a strong wood color that a customer should view stained color samples when choosing a color. Light to medium stains tends to highlight the natural wood color while dark stains tend to compliment the wood color. Walnut will contain sapwood. To tone down the sapwood use a darker stain such as Espresso.

**Paint Grade** - Paint Grade is selected for smooth grain patterns and very carefully dried so as to minimize shrinkage after the cabinets are finished. The customer should be aware that joints in doors may shrink causing cracks in the finish. While Paint Grade consists of mainly Maple or equal, Candlelight does use MDF for flat center panels to eliminate telegraph problems. There is a no charge

wood option for when you are using all MDF or RTF doors. Additionally, the customer should be informed and willing to accept touch up of minor chips and paint defects. Although the wood is selected for smoothness, grain patterns and joints may telegraph through the finish. Due to the nature of this painted finish, it is not possible to achieve a color match on additional doors or cabinetry for any given kitchen. It is extremely important that the customer has a full understanding of the product that they are purchasing and are willing to accept the product for what it is.

**\*Rustic Wood Selection** - For customers who enjoy the total beauty of wood with all its natural occurring defects, Candlelight offers a rustic grade in Cherry, Hickory, Maple and Red Oak. This allows for knots, split knots, ingrown bark, and other natural occurring grain patterns and mineral marks that would normally be processed out. Due to the extreme variations in material and color, Candlelight advises that a sample front be ordered and that the customer has seen or is familiar with the wood selection of this type. For example, Cherry could show much more color variation due to allowable sapwood and heartwood. Knots will vary in size and depth; however, see-through holes will generally be less than ¼" when present. Knots and voids will NOT be filled with putty. **Only door and drawer components will be rustic. Frames and other accessory parts are standard grade.**

## Construction Upcharges

Type	Upcharge
Standard	N/C
Plywood Sides	5%
All Plywood	13%

Recommended Stain Combinations – See page 4.21 & 4.22 for the top 205 recommended finishes. Recommended wood/stain combinations are included in our standard sample block set. Other combinations are available, however, a sample door must be ordered.

### Rustic Grade notes

- This grade allows knots and other sound defects which will not be filled with putty. The knots may go through the door.
- Rustic grade does go through a selection process to ensure that the components compliment one another, but can include sapwood, worm holes and natural mineral streaks. Therefore, a sample door is recommended. Sample blocks are not available since they cannot provide a good representation.
- Only door and drawer components will be rustic. Frames and other accessory parts are standard grade.
- High or low sheen requests do not require a custom match. Simply add 10% to the standard finish Upcharge for high (80-90 sheen) or low (10-15 sheen).

**\*\*Low sheen is not currently available on paints\*\***

### Stain Upcharges

Stain	Upcharge
Unfinished*	-3%
American Vintage	N/C
Autumn Glow	N/C
Brownstone	N/C
Burgundy	N/C
Burnished	N/C
Driftwood	N/C
Embers	N/C
Espresso	N/C
French Roast	5%
Graystone	N/C
Honey Glow	N/C
Java	5%
Merlot	5%
Natural	N/C
Oasis	N/C
Slate	N/C
Sundance	N/C
Terra Nova	N/C
Truffle	N/C

*\*Unfinished orders will void the warranty.*

### Wood Species Upcharges

Species	Upcharge
Cherry	19%
Rustic Cherry	17%
Hickory	N/C
Rustic Hickory	N/C
Maple	16%
Rustic Maple	14%
Paint Grade	3%
Paint Grade MDF or RTF	N/C
Quarter Sawn White Oak	19%
Red Birch	16%
Red Oak	4%
Rustic Red Oak	N/C
Walnut	15%
Bamboo**	24%*

*\* Only available in plywood sides or all plywood construction at this time. Please add for appropriate construction.*

*\*\* Available per quote only.*

## Stain Specials

Stain Specialties	Upcharge N/C Stains	Upcharge 5% Stains
Carmelized Hickory	5%	N/A
Licorice Accent	10%	15%
Allspice Accent	10%	15%
Nutmeg Accent	10%	15%
Sable Glaze *	17%	22%
Allspice Heirloom	17%	22%
Licorice Heirloom	17%	22%
Nutmeg Heirloom	17%	22%

*\* Please note: Sable Glaze, Allspice, mason, Licorice and Nutmeg accents will add 1 week to your lead-time.*

### Heirloom Effect notes

- Heirloom comes standard with distressing and wear sanding. The wear sanding will have stain on the worn areas.
- Due to the custom nature of this product, it will not be included in the sample block set. A sample door is recommended.

### Ordering Examples:

Autumn Glow Allspice Heirloom

Honey Glow Nutmeg Heirloom

### Allspice/Licorice/Nutmeg Effect notes

- This effect uses a wet glaze applied over a finished door then sealed for durability.
- Recommended combinations are included in the sample block set. All combinations are available. A sample door is recommended.

### Sable Glaze notes

- This effect uses a “dry” glaze which is sprayed over a finished door and then the “dry” color is removed. Finally it is then sealed for durability.
- Recommended combinations are included in the sample block set. All combinations are available. A sample door is recommended.

### Weathered Effect

Weathered Effect	Upcharge
Natural Nutmeg Weathered	24%
Driftwood Licorice Weathered	24%
Terra Nova Licorice Weathered	24%

### Weathered Effect notes

- Weathered comes standard with wire brushing, distressing, rasping and wear sanding on doors and drawers only. The wear sanding and rasping will have stain on the worn areas.
- Available combinations are included in the sample block set. A sample door is recommended.
- Available only on Rustic Red Oak and Rustic Hickory.
- Available in Shaker-L149 door style only in Full Overlay or Euro Full Overlay. Optional 5pc drawer front is available.

## Paint

Finish	UpCharge
Unfinished*	-3%
Aurora White	20%
Black	25%
Blue Jay	25%
Crème Brûlée	20%
Designer's White	20%
English Linen	20%
Flagstone	20%
Graphite	20%
Midnight Blue	20%
Nickel City Silver	20%
Red Delicious	25%
Sagebrooke	20%
Snowflake on Paint Grade	20%
Sterling Grey	20%
Stonehenge	20%
Tranquil Taupe	20%
Victorian White	20%
White Lily	20%
White Pewter	20%

*Unfinished orders will void the warranty.*

### Painted Finish notes

- Recommended on Paint Grade.
- Available on Maple ( add Maple upcharge)
- Paint Grade doors with flat center panels will be MDF.
- Black receives a protective clear coat.
- High or low sheen requests do not require a custom match. Simply add 10% to the standard finish Upcharge for high (80-90 sheen) or low (10-15 sheen).

**\*\*Low sheen is not currently available on paints\*\***

## Paint Specialties

### Antique Sandoff notes

- Sandoff is the light wear-through of the paint along the edges of the doors and frames. Antique is the application of a wet glaze over the painted finish. The wet glaze is available in Allspice, Licorice and Mason. A final topcoat is applied for durability.
- The complete name must be specified when ordering. "Snowflake Antique", for example, is incomplete and will delay your order.
- Recommended combinations are included in the sample block set. All combinations are available. A sample door is recommended.
- Distressing is a random distribution of nicks and impressions, so the appearance will vary from piece to piece.

### Ordering Examples:

Pewter Allspice Antique Sandoff  
English Linen Licorice Antique No Sandoff

### Da Vinci notes

- This effect uses a "dry" glaze applied over a finished door. The glaze is removed to give the appearance of brush stokes. It is then top coated for durability.
- Recommended combinations are included in the sample block set. All combinations are available. A sample door is recommended.
- Only available on Aurora White and English Linen
- Adds 1 week to your lead-time.

### Vienna Effect notes

- This effect uses a "dry" glaze applied over a finished painted door. The glaze is removed to give the appearance of brush stokes. It is then top coated for durability.
- The color of the Vienna Effect was designed to compliment stainless steel appliances. Please order a sample door to view a paint combination.
- Only available on White Pewter, Nickel City Silver and Tranquil Taupe.
- Adds 1 week to your lead-time.

### Parisian Notes

- This Effect uses a "dry" Glaze applied over a finished painted door. The glaze is removed to give the appearance of brush strokes along with a sandoff treatment on edges of doors and frames. It is then top coated for durability.
- Only available in Blue Jay and Red Delicious. A sample door is recommended.
- Only available with sandoff.
- Adds 1 week to your lead-time.

### Heirloom notes

- Heirloom comes standard with antiquing, distressing and wear-sanding. The antiquing is a wet glaze available in Allspice, Licorice and Mason. Wear-sanding wears through the paint in those areas.
- Due to the custom nature of this product, it will not be included in the sample block set. A sample door is recommended.

Paint Specialties	Upcharge
"Paint" Allspice Antique Sandoff	31%
"Paint" Licorice Antique Sandoff	31%
"Paint" Mason Antique Sandoff	31%
"Paint" Allspice Antique No Sandoff	31%
"Paint" Licorice Antique No Sandoff	31%
"Paint" Mason Antique No Sandoff	31%
"Paint" Allspice Distress Ant Sandoff	33%
"Paint" Licorice Distress Ant Sandoff	33%
"Paint" Mason Distress Ant Sandoff	33%
"Paint" Da Vinci *	35%
"Paint" Allspice Heirloom	38%
"Paint" Licorice Heirloom	38%
"Paint" Mason Heirloom	38%
"Paint" Vienna Effect *	35%
"Paint" Parisian Effect *	38%

\* Please note: Da Vinci and Vienna will add 1 week to your lead-time.

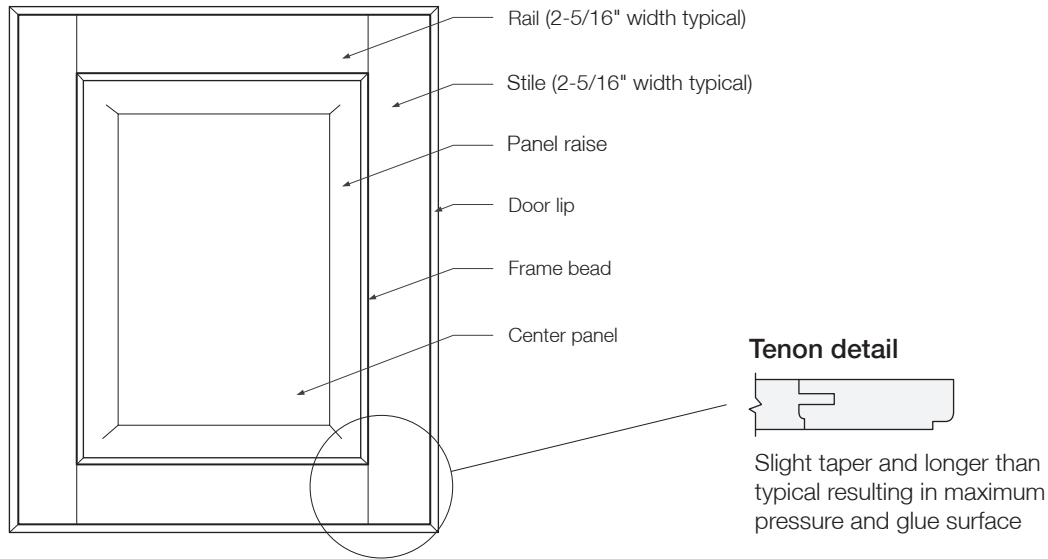


## Policies and Procedures for Custom Color Match

- 1) All requests must be on the enclosed "Custom Color Request" form.
- 2) Solid paint matches (no specialty effects) can be prepared by supplying the paint manufacturer's color number and name, and/or a swatch from the manufacturer. While we recommend using a swatch provided by your customer, we do carry color fan decks of both Sherwin Williams and Ben Moore paints. **Please note:**

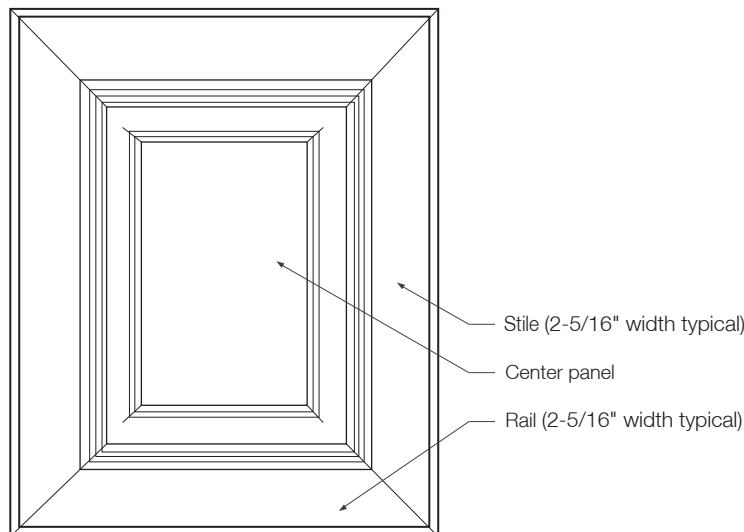
\*Color swatches from paint stores are done on paper using printed ink. These printed swatches can vary from batch to batch. We are not responsible for any variation in swatches and the subsequent match if a swatch is not provided and an in-house fan deck is used for the match.
- 3) Matches for stains, stains with specialty effects and paints with specialty effects can be prepared by supplying a physical sample larger than 2" x 2". Not sending a physical sample will delay the matching process. If requesting a custom solid paint match with one of our standard specialty effects, a physical sample is not needed. However, a swatch is still needed as described in #2 above.
- 4) Solid paint matches can be done on a 12" x 12" MDF slab, a 13" x 16" sample door or a 15" x 24" sample front. MDF slabs are in stock to help expedite the process. Sample doors and sample fronts can be ordered to the specific door style of the project. Any of these options will cost \$600/LIST. (Inclusive of all up charges) Any subsequent samples due to a change in the match request will be charged an additional \$600/LIST.
- 5) Matches for stains, stains with specialty effects and paints with specialty effects can only be done on a 13" x 16" sample door or 15" x 24" sample front. Finishes with specialty effects must be done in the exact door style as the project as the look may vary greatly with different door designs. Either of these options will cost \$1200/LIST. (Inclusive of all up charges) Any subsequent samples due to a change in the match request will be charged an additional \$1200/LIST.
- 6) Upon placing a complete kitchen order of 12 cabinets or more, Candlelight will apply one \$600/LIST credit on your order for solid paint matches or one \$1200/LIST credit for stain and specialty effects matches.
- 7) Solid paint matches typically take about 10 days to complete. Stain and specialty effects matches can take 2-3 weeks. Certain custom/specialty applications may exceed this time frame. Your initial acknowledgement for the sample will show a "PENDING" status. Once approved by our finish department, you will receive an updated acknowledgement and ship date.
- 8) A form entitled "Custom Finish Information & Approval Form" will be sent along with the color sample. This form must be signed and submitted with any kitchen order. Kitchen orders will not be given ship dates, hold spots or scheduled for production until a signed "Custom Finish information & Approval Form" is received.
- 9) Custom finish up charges will be 25% for solid paints in our standard sheen. Up charges for stains and specialty effects will vary depending on the match being done. The up charge will be noted on your "Custom Finish Information & Approval Form" that is sent with the match, as well as on your updated acknowledgement.
- 10) High or low sheen requests do not require a custom match. Simply add 10% to the standard finish up charge for high (80-90 sheen) or low (10-15 sheen) **\*\*Low sheen is not currently available on paints.**
- 11) Custom color matches will have an expiration date of 18 months from the time the match is completed. If placing a kitchen order after the expiration date, a new sample is strongly recommended due to varying degrees of aging.
- 12) **SPECIAL NOTE:** We do not currently work with any spray stain applications, so our interpretations of such finishes will be applied using wiping stains and occasionally conditioners. This result will not exactly replicate the grain masking effects and uniformity of a spray stain, though color tones will be matched as best as possible.

## Mortise & Tenon



- Multi-panel doors are available (DRP doors)
- Wood pegs available in Oak, Cherry, Mahogany and Walnut
- Framing widths, raise, frame and lip options can be interchanged on a custom order
- See Modifications section for mullion options
- 2 panel over 24" wide
- 2 panel over 48" high

## Miter



- Design specific door lip and frame beads are part of the design and cannot be altered. Other options (center panels) can be custom ordered
- Multi-panel doors are not available
- Integrated designer panels are not available
- Wood pegs are not available
- Rustic grade not available
- See Modifications section for mullion options

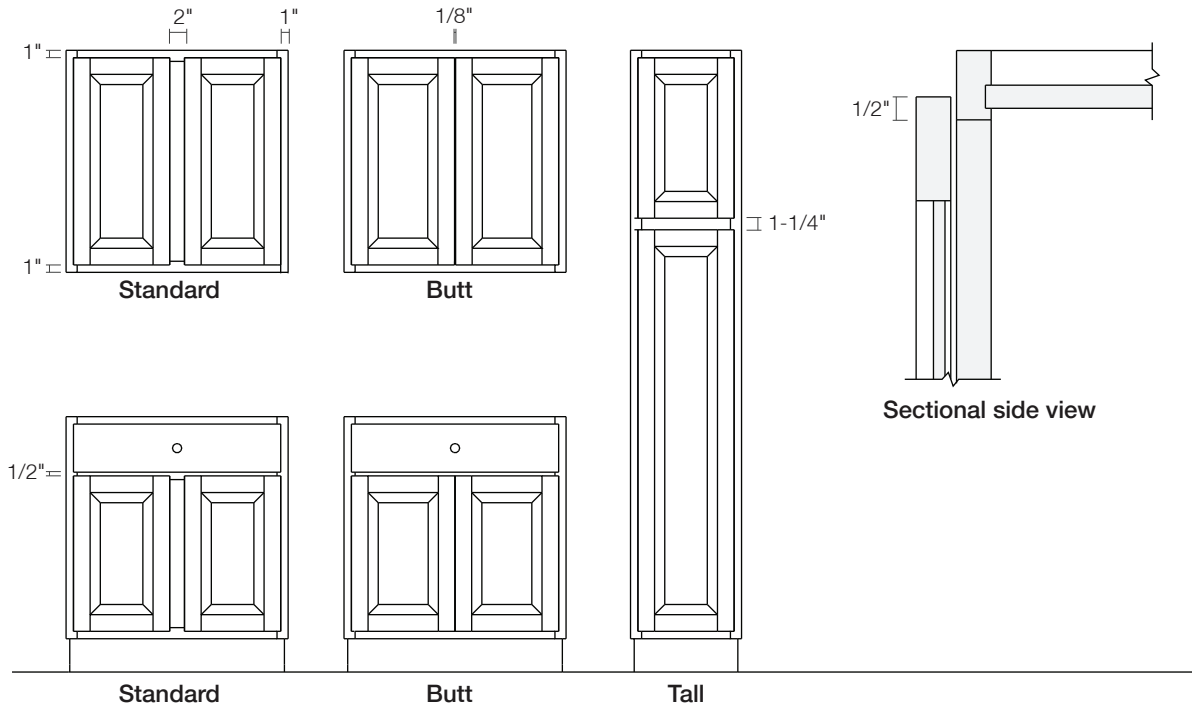
1/2" Overlay Options	7.1	Full Overlay Options	7.3
3/8" Partial Inset Options	7.2	Greenwich	7.29
Amherst	7.24	Greenwich 5pc Drawer	7.29
Amherst Opt. 5pc Drawer	7.24	Harmony	7.45
Avenue	7.15	Hawthorne	7.29
Avenue Opt. 5pc Drawer	7.15	Hawthorne Opt. 5pc Drawer	7.30
Bar Harbor	7.24	Inset Door Data Sheet	7.8
Bar Harbor Opt. 5pc Drawer	7.24	Jefferson	7.38
Bayport Square	7.23	Jefferson Opt. 5pc Drawer	7.38
Bayport Arch	7.23	LaVelle	7.18
Bayport Opt. 5pc Drawer	7.23	LaVelle Opt. 5pc Drawer	7.19
Beaded Frames	7.7	Lenox	7.38
Boulevard	7.15	Lenox Opt. 5pc Drawer	7.38
Boulevard Opt. 5pc Drawer	7.15	Light House	7.42
Brighton Aluminum	7.46	Looking Glass	7.41
Brighton Stainless	7.46	Madison	7.30
Cambridge	7.21	Madison Opt. 5pc Drawer	7.30
Cambridge Opt. 5pc Drawer	7.21	Manchester	7.31
Camden	7.25	Manchester Opt. 5pc Drawer	7.31
Camden Opt. 5pc Drawer	7.25	Mericana	7.42
Canterbury	7.41	Mericana Opt. 5pc Drawer	7.43
Chatham Shaker	7.25	Mission	7.31
Chatham Shaker Opt. 5pc Drawer	7.26	Mission Opt. 5pc Drawer	7.32
Chautauqua	7.26	Modern Elegance	7.37
Chautauqua Opt. 5pc Drawer	7.26	Niagara	7.32
Cheasapeake	7.27	Niagara 5pc Drawer	7.32
Cheasapeake Opt. 5pc Drawer	7.27	Nottingham Arch	7.20
Classic Arch	7.17	Nottingham Opt. 5pc Drawer	7.20
Classic Opt. 5pc Drawer	7.17	Nottingham Square	7.20
Classic Square	7.17	Opus	7.43
Contempo Euro Full Overlay	7.5	Oxford	7.33
Contempo Paint	7.40	Oxford Opt. 5pc Drawer	7.33
Cottage	7.27	Paragon	7.41
Cottage Opt. 5pc Drawer	7.28	Plymouth	7.43
Custom Door Options	7.48	Plymouth 9pc Drawer	7.44
Custom Doors	7.47	Portland	7.16
Door Price Key	7.13	Portland Opt. 5pc Drawer	7.16
Elite Arch	7.18	Price Guide	7.9
Elite Opt. 5pc Drawer	7.18	Primitive	7.33
Elite Square	7.18	Primitive Opt. 5pc Drawer	7.34
Essex	7.42	Richmond	7.44
Essex 9pc Drawer	7.42	Riverwalk	7.34
Estate Arch	7.22	Riverwalk Opt. 5pc Drawer	7.34
Estate Opt. 5pc Drawer	7.22	Serenity	7.40
Estate Square	7.22	Serenity-MDF	7.40
Euro Full Overlay Options	7.4	Shaker	7.35
Frontier	7.28	Shaker Opt. 5pc Drawer	7.35
Frontier Opt. 5pc Drawer	7.28	Showcase	7.45
Full Inset Options	7.6	Socialite	7.35

Socialite Opt. 5pc Drawer 7.36

Stockholm 7.45

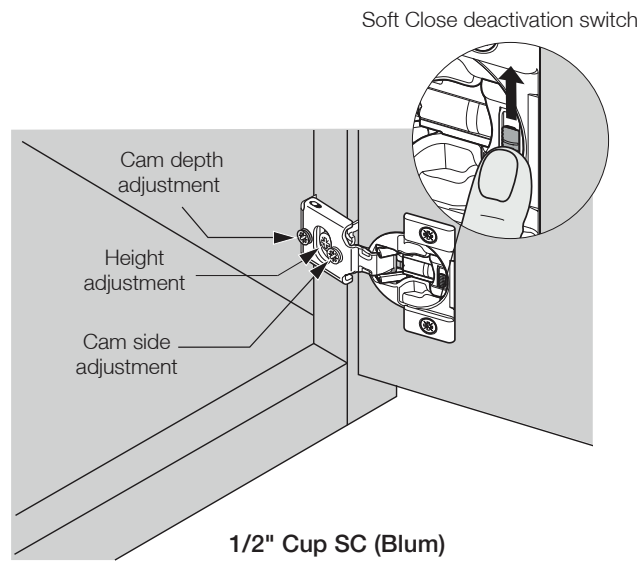
## 1/2" Overlay

- Candlelight's standard overlay. Door overlays 1/2" of the face frame.
- Doors over 35 7/8"H get three hinges.
- 5pc MDF doors are not available with knife hinges



Note: See Specification section for adjustment information

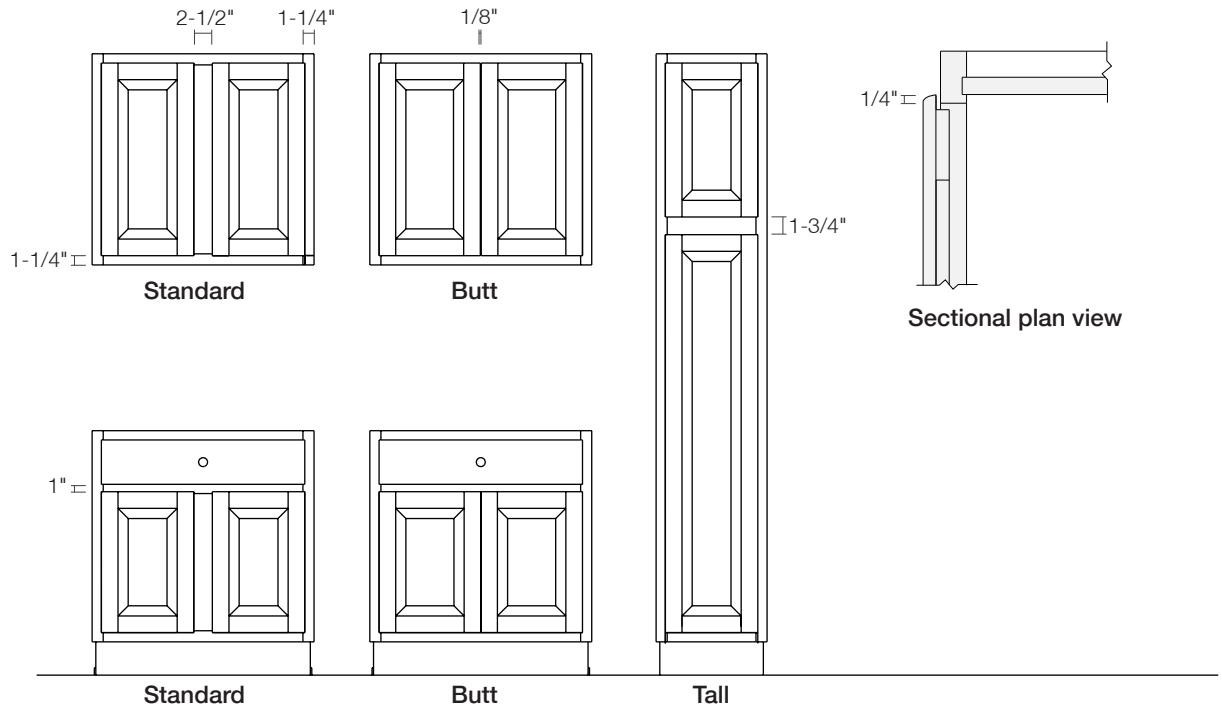
Hinge	Finish	Swing	Soft Close	Cost/Door
1/2" Cup SC	Nickel	105 Deg	Yes	N/C



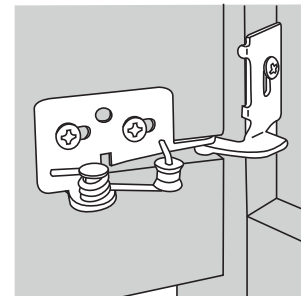


## 3/8" Partial Inset

- Door overlay covers 1/4" of the face frame.
- Door over 35 7/8"H get three hinges

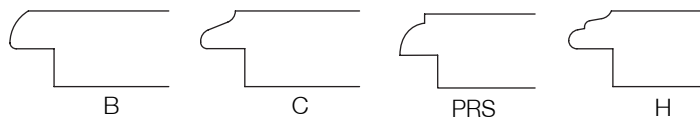


Hinge	Finish	Swing	Soft Close	Cost/Door
3/8" Knife AB	Ant. Brass	180 Deg	N/A	\$23
3/8" Knife NK	Nickel	180 Deg	N/A	\$23



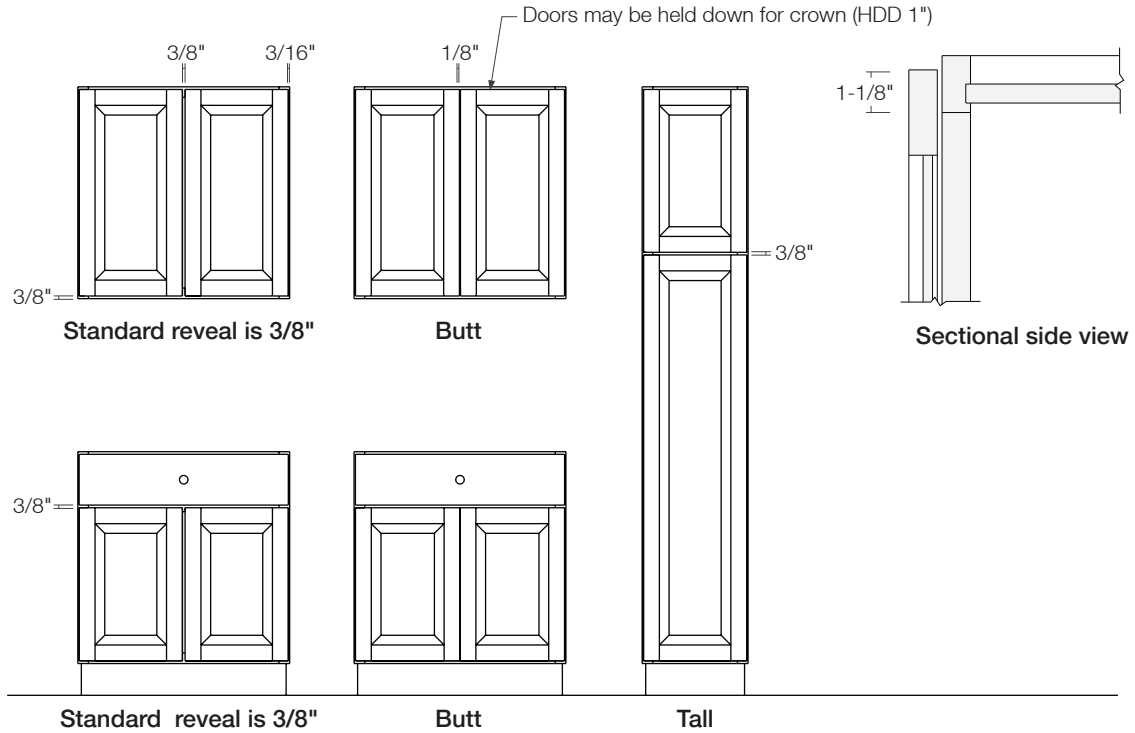
**3/8" Knife (Youngdale)**

### Available Lips

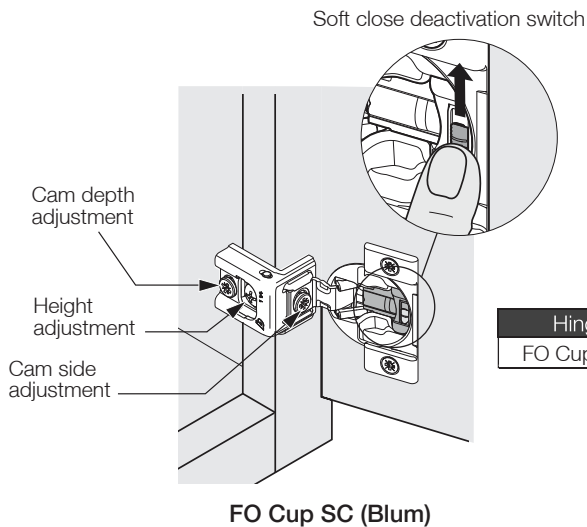


## Full Overlay

- Door overlays 1-5/16" of the stiles and 1-1/8" of the rails.
- Odd overlay modification must be used when cabinet is next to deeper cabinet or against a wall
- Odd overlay is standard on diagonal corner cabinets
- Doors over 35 7/8"H get three hinges



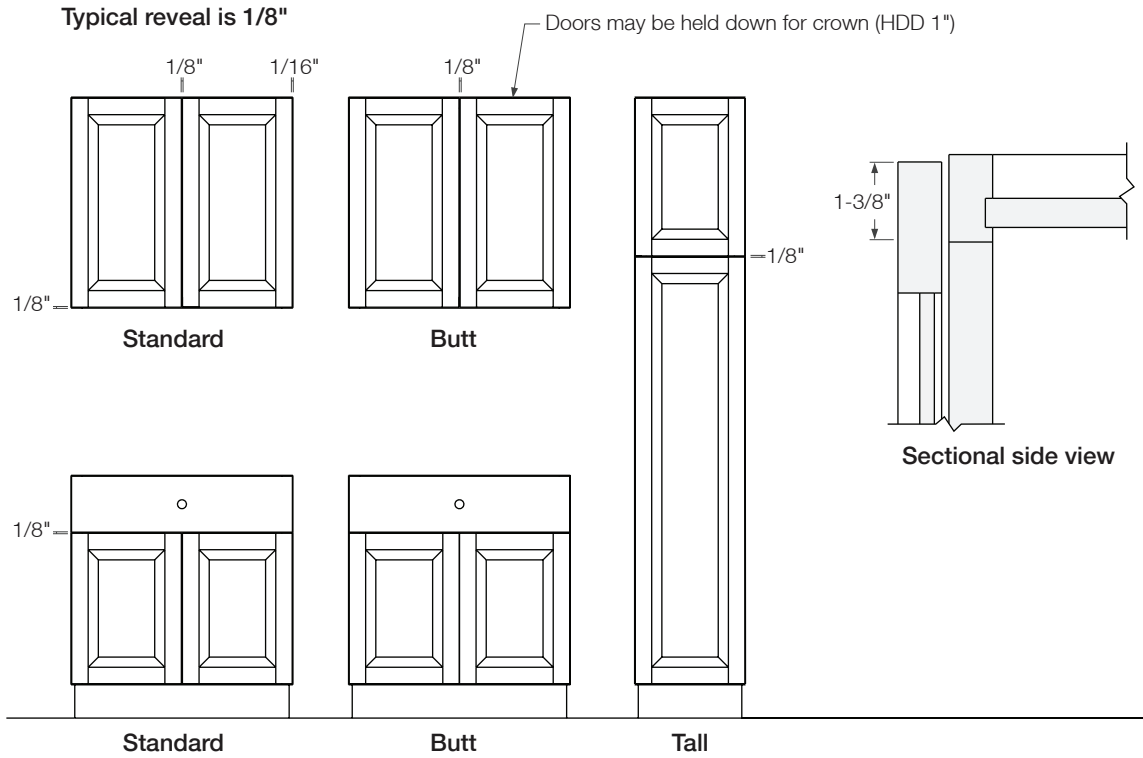
**Notes:** For Full Overlay Do's & Don'ts, see Specifications section.  
See Specification section for adjustment information.



Hinge	Finish	Swing	Soft Close	Cost/Door
FO Cup SC	Nickel	110 Deg	Yes	\$49

## Euro Full Overlay

- Cabinet stiles are notched so a frameless style hinge may be used.
- Door overlay stiles 1-7/16" and rails by 1-3/8".
- Odd overlay is standard on diagonal corner cabinets.
- Door will not bind against a wall or deeper cabinet.
- Doors over 35 7/8"H will get three hinges.



Soft close deactivation switch

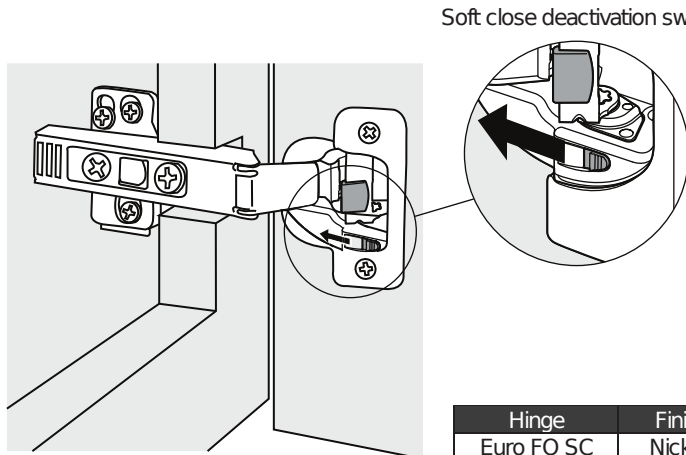
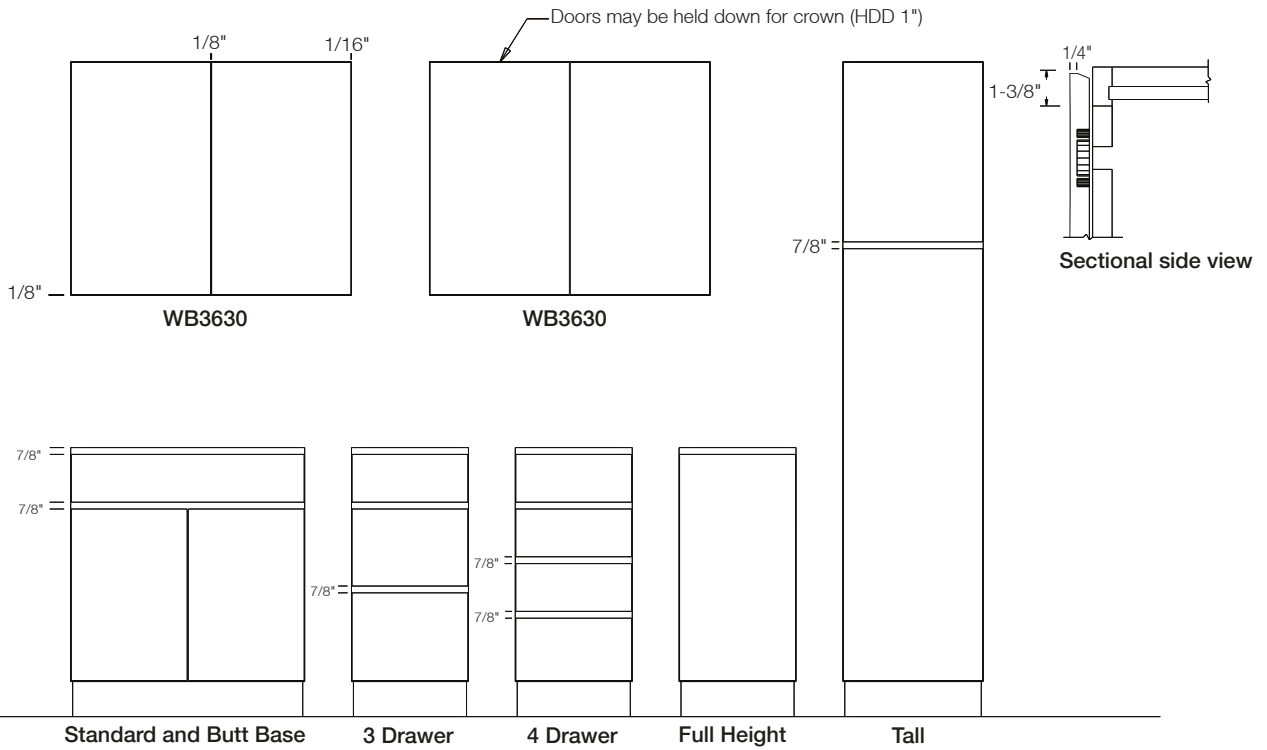
Note: See Specifications section for hinge adjustment

Hinge	Finish	Swing	Soft Close	Cost/Door
Euro FO SC	Nickel	120 Deg	Yes	\$99

Euro FO - Frame will be notched (Blum)

# ContempoEuro Full Overlay

- Cabinet stiles are notched so a frameless style hinge may be used.
- Door overlay stiles 1-7/16".
- Odd overlay is standard on diagonal corner cabinets.
- Door will not bind against a wall or deeper cabinet.
- Doors over 35 7/8"H will get three hinges.
- 7/8" hand pull reveal is standard

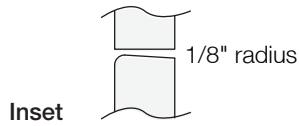
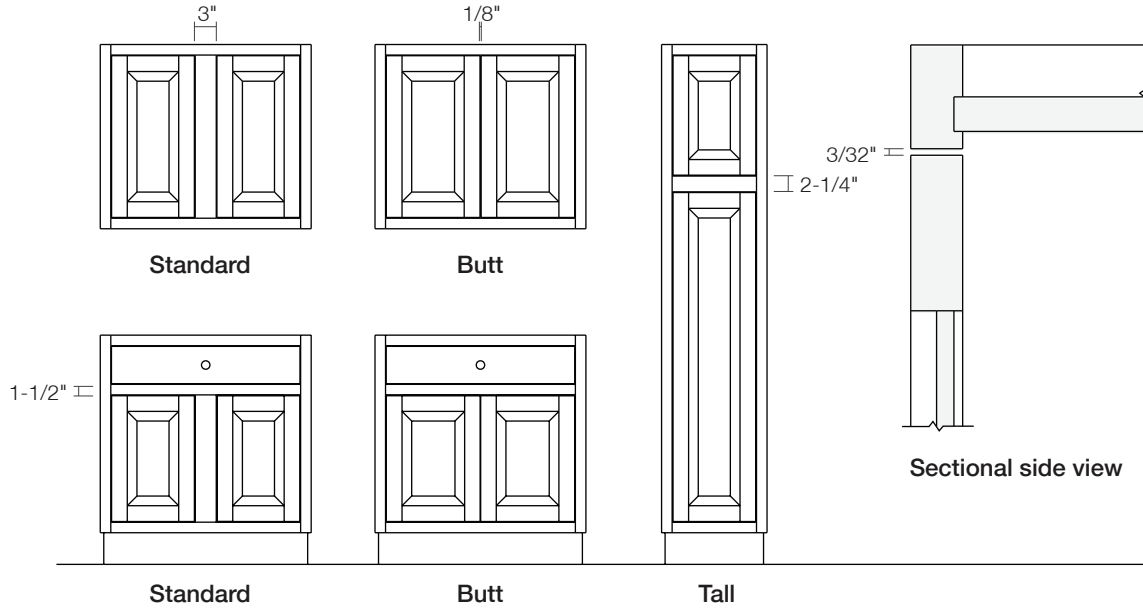


**Note: See Specifications section for hinge adjustment**

**Euro FO - Frame will be notched (Blum)**

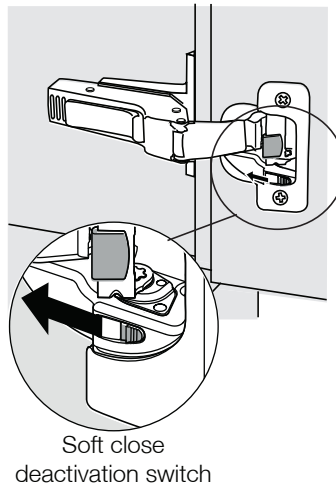
Hinge	Finish	Swing	Soft Close	Cost/Door
Euro FO SC	Nickel	120 Deg	Yes	\$99

**Full Inset** \* Doors over 35 7/8"H will get Three hinges



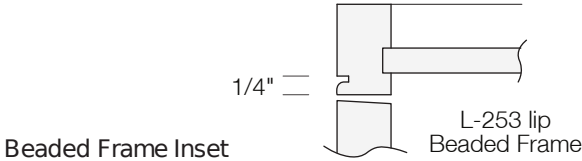
Hinge	Finish	Swing	Soft Close	Cost/Door
Full InsetCup SC	Nickel	120 Deg	Yes	\$156

**Full inset cup SC (Blum)**



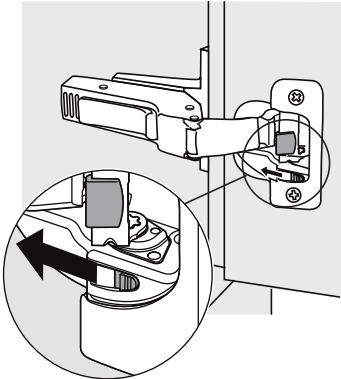
**Note:** See Specification section for hinge adjustments and Soft-close information

# Beaded Frames



Hinge	Finish	Swing	Soft Close	Cost/Door
BF Cup SC	Nickel	120 Deg	Yes	\$257

BF cup SC (Blum)

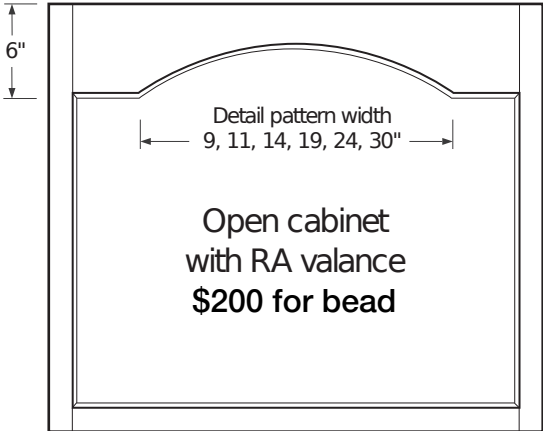
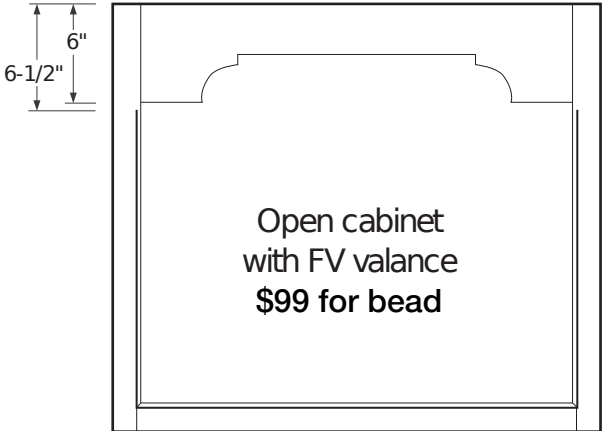


Soft close deactivation switch

Note: See Specification section for hinge adjustments and Soft-close information

## Beaded Inset Face Frame Notes

- 1) Open shelf cabinets made with a beaded frame.
- 2) Straight valance and RA valance are the only two available with a bead. Other valances are square edged - bead will start 1/2" below. (see drawings below)
- 3) Tall oven cabinets must be 3" wider than the appliance.
- 4) Frameless cabinets like the PHC SKU cannot be beaded.





## Inset Door Data Sheet

### **Tolerances**

The space between any door edge and the cabinet frame shall be adjustable between 1/16" to 1/8". The door shall be adjustable to within 1/8" of the plane of the cabinet face.

### **Installation**

Inset door cabinetry should be installed by experienced and patient installers. It will be necessary for the installer to "rack" some cabinets in order to achieve proper door and drawer fit. After racking a cabinet, it may be necessary to plane a stile so that the cabinet will fit properly to the adjacent cabinetry. The installer will also need to allow additional time for adjustment of doors and drawers. It may be necessary to recess some hinges into the stiles for proper fit. After the cabinets have "settled in" (approximately 6 months), a return visit by the same installer should be scheduled to readjust doors and drawers.

### **Door and Drawer Fit Warranty**

In order to repair door and drawer tolerance defects, the whole cabinet may have to be returned to the Candlelight factory. Candlelight Cabinetry will not be responsible for any field costs, transportation costs, or items damaged due to misuse or improper installation. Additionally, Candlelight will not be responsible for any delay in completion of a kitchen due to warranty service.

	1/2" Cup SC	3/8" Knife	FO Cup SC	Euro FO SC	Contempo Euro FO SC	Full Inset Cup SC	Beaded Inset Cup SC
<b>Heritage</b>							
Avenue	\$-28	-	\$21	\$71	-	\$128	-
Avenue Opt. 5pc Drawer	\$28	-	\$28	\$28	-	\$28	-
Boulevard	\$-28	\$-5	\$21	\$71	-	\$128	\$229
Boulevard Opt. 5pc Drawer	\$28	\$28	\$28	\$28	-	\$28	\$28
Portland	\$-28	\$-5	\$21	\$71	-	\$128	\$229
Portland Opt. 5pc Drawer	\$28	\$28	\$28	\$28	-	\$28	\$28
<b>Classic</b>							
Classic Square	\$0	\$23	\$49	\$99	-	\$156	\$257
Classic Opt. 5pc Drawer	\$28	\$28	\$28	\$28	-	\$28	\$28
Classic Arch	\$28	\$51	\$77	\$127	-	\$184	\$285
<b>Elite</b>							
Elite Square	\$0	\$23	\$49	\$99	-	\$156	\$257
Elite Opt. 5pc Drawer	\$28	\$28	\$28	\$28	-	\$28	\$28
Elite Arch	\$28	\$51	\$77	\$127	-	\$184	\$285
LaVelle	\$28	\$51	\$77	\$127	-	\$184	\$285
LaVelle Opt. 5pc Drawer	\$28	\$28	\$28	\$28	-	\$28	-
<b>Nottingham</b>							
Nottingham Square	\$0	\$23	\$49	\$99	-	\$156	\$257
Nottingham Opt. 5pc Drawer	\$28	\$28	\$28	\$28	-	\$28	\$28
Nottingham Arch	\$28	\$51	\$77	\$127	-	\$184	\$285
<b>Cambridge</b>							
Cambridge	\$0	\$23	\$49	\$99	-	\$156	\$257
Cambridge Opt. 5pc Drawer	\$28	\$28	\$28	\$28	-	\$28	\$28
<b>Estate</b>							
Estate Square	\$28	\$51	\$77	\$127	-	\$184	\$285
Estate Opt. 5pc Drawer	\$28	\$28	\$28	\$28	-	\$28	\$28
Estate Arch	\$54	\$77	\$103	\$153	-	\$210	\$311

\* indicates item is not available



	<i>1/2" Cup SC</i>	<i>3/8" Knife</i>	<i>FO Cup SC</i>	<i>Euro FO SC</i>	<i>Contempo Euro FO SC</i>	<i>Full Inset Cup SC</i>	<i>Beaded Inset Cup SC</i>
<b>Bayport</b>							
Bayport Square	\$54	-	\$103	\$153	-	-	\$257
Bayport Slab Drawer	\$28	-	\$28	\$28	-	-	\$28
Bayport Opt. 5pc Drawer	\$54	-	\$54	\$54	-	-	\$28
Bayport Arch	\$82	-	\$131	\$181	-	-	\$285
<b>Flat Panel</b>							
Amherst	\$0	\$23	\$49	\$99	-	\$156	\$257
Amherst Opt. 5pc Drawer	\$28	\$28	\$28	\$28	-	\$28	\$28
Bar Harbor	\$28	\$51	\$77	\$127	-	\$184	\$285
Bar Harbor Opt. 5pc Drawer	\$28	\$28	\$28	\$28	-	\$28	\$28
Camden	-	-	-	-	-	-	-
Camden Opt. 5pc Drawer	-	-	-	-	-	-	-
Chatham Shaker	\$0	\$23	\$49	\$99	-	\$156	\$257
Chatham Shaker Opt. 5pc Drawer	\$28	\$28	\$28	\$28	-	\$28	\$28
Chautauqua	\$82	\$105	\$131	\$181	-	\$238	\$339
Chautauqua Opt. 5pc Drawer	\$54	\$54	\$54	\$54	-	\$54	\$54
Cheasapeake	\$28	\$51	\$77	\$127	-	\$184	\$285
Cheasapeake Opt. 5pc Drawer	\$54	\$54	\$54	\$54	-	\$54	\$54
Cottage	\$54	\$77	\$103	\$153	-	-	\$257
Cottage Slab Drawer	\$28	\$28	\$28	\$28	-	-	\$28
Cottage Opt. 5pc Drawer	\$54	\$54	\$54	\$54	-	-	\$28
Frontier	\$28	\$51	\$77	\$127	-	\$184	\$285
Frontier Opt. 5pc Drawer	\$54	\$54	\$54	\$54	-	\$54	\$54
Greenwich	\$0	\$23	\$49	\$99	-	\$156	\$257
Greenwich 5pc Drawer	-	-	-	-	-	-	-
Hawthorne	\$28	\$51	\$77	\$127	-	\$184	\$285
Hawthorne Opt. 5pc Drawer	\$28	\$28	\$28	\$28	-	\$28	\$28
Madison	\$54	\$77	\$103	\$153	-	\$210	\$311
Madison Opt. 5pc Drawer	\$54	\$54	\$54	\$54	-	\$54	\$54
Manchester	\$28	\$51	\$77	\$127	-	\$184	\$285
Manchester Opt. 5pc Drawer	\$28	\$28	\$28	\$28	-	\$28	\$28
Mission	\$0	\$23	\$49	\$99	-	\$156	\$257
Mission Opt. 5pc Drawer	\$28	\$28	\$28	\$28	-	\$28	\$28
Niagara	-	-	-	-	-	-	-
Niagara 5pc Drawer	-	-	-	-	-	-	-
Oxford	\$0	\$23	\$49	\$99	-	\$156	\$257
Oxford Opt. 5pc Drawer	\$28	\$28	\$28	\$28	-	\$28	\$28
Primitive	\$54	\$77	\$103	\$153	-	\$210	\$311

\* indicates item is not available

	1/2" Cup SC	3/8" Knife	FO Cup SC	Euro FO SC	Contempo Euro FO SC	Full Inset Cup SC	Beaded Inset Cup SC
<b>Flat Panel</b> <small>continued...</small>							
Primitive Opt. 5pc Drawer	\$54	\$54	\$54	\$54	-	\$54	\$54
Riverwalk	\$54	\$77	\$103	\$153	-	\$210	\$311
Riverwalk Opt. 5pc Drawer	\$54	\$54	\$54	\$54	-	\$54	\$54
Shaker	\$0	\$23	\$49	\$99	-	\$156	\$257
Shaker Opt. 5pc Drawer	\$28	\$28	\$28	\$28	-	\$28	\$28
Socialite	\$0	\$23	\$49	\$99	-	\$156	\$257
Socialite Opt. 5pc Drawer	\$54	\$54	\$54	\$54	-	\$54	\$54
<b>Modern Elegance</b>							
Modern Elegance	-	-	\$0	\$50	-	-	-
<b>Rigid Thermo Foil (RTF)</b>							
Jefferson	\$-28	-	\$21	\$71	-	-	-
Jefferson Opt. 5pc Drawer	\$28	-	\$28	\$28	-	-	-
Lenox	\$-28	-	\$21	\$71	-	-	-
Lenox Opt. 5pc Drawer	\$28	-	\$28	\$28	-	-	-
<b>Slab</b>							
Contempo Paint	-	-	-	-	\$127	-	-
Contempo Slab Drawer	-	-	-	-	\$28	-	-
Serenity	\$28	\$51	\$77	-	-	-	-
Serenity-MDF	\$-28	-	\$21	\$71	-	\$128	-
<b>Mitered</b>							
Canterbury	\$54	-	\$103	\$153	-	-	-
Canterbury 5pc Drawer	\$54	-	\$54	\$54	-	-	-
Paragon	\$54	-	\$103	\$153	-	-	-
Paragon 5pc Drawer	\$54	-	\$54	\$54	-	-	-
Looking Glass	\$54	-	\$103	\$153	-	-	-
Looking Glass 5pc Drawer	\$54	-	\$54	\$54	-	-	-
<b>Craftsman</b>							
Essex	\$82	\$105	\$131	\$181	-	\$238	\$339
Essex 9pc Drawer	\$82	\$82	\$82	\$82	-	\$82	\$82
Light House	\$82	\$105	\$131	\$181	-	\$238	\$339
Lighthouse 9pc Drawer	\$82	\$82	\$82	\$82	-	\$82	\$82
Mericana	\$54	\$77	\$103	\$153	-	\$210	\$311
Mericana Opt. 5pc Drawer	\$54	\$54	\$54	\$54	-	\$54	\$54

<sup>^</sup> indicates item is not available

	1/2" Cup SC	3/8" Knife	FO Cup SC	Euro FO SC	Contempo Euro FO SC	Full Inset Cup SC	Beaded Inset Cup SC
<b>Craftsman</b> continued...							
Opus	\$136	\$159	\$185	\$235	-	\$292	\$393
Plymouth	\$54	\$77	\$103	\$153	-	\$210	\$311
Plymouth Hastings Drawer	\$54	\$54	\$54	\$54	-	\$54	\$54
Plymouth 9pc Drawer	\$82	\$82	\$82	\$82	-	\$82	\$82
Richmond	\$54	\$77	\$103	\$153	-	\$210	\$311
Richmond 5pc Drawer	\$54	\$54	\$54	\$54	-	\$54	\$54
<b>Veneer Doors</b>							
Showcase	-	-	\$131	\$181	-	-	-
Showcase Drawer	-	-	\$82	\$82	-	-	-
Harmony	-	-	\$77	\$127	-	-	-
Stockholm	-	-	\$103	\$153	-	-	-
<b>Metal Doors</b>							
Brighton Aluminum	\$***	-	\$***	\$***	-	-	-
Brighton Stainless	\$***	-	\$***	\$***	-	-	-

\* indicates item is not available; \$\*\*\* see door for pricing details

**FO-N/C (\$49) See Notes.**

Modern Elegance 7.37

**B- (\$28) Deduct Door**

Avenue 7.15

Boulevard 7.15

Jefferson 7.38

Lenox 7.38

Portland 7.16

Serenity-MDF 7.40

**A N/C**

Amherst 7.24

Cambridge 7.21

Chatham Shaker 7.25

Classic Square 7.17

Elite Square 7.18

Greenwich 7.29

Mission 7.31

Nottingham Square 7.20

Oxford 7.33

Shaker 7.35

Socialite 7.35

**B \$28**

Amherst Opt. 5pc Drawer 7.24

Avenue Opt. 5pc Drawer 7.15

Bar Harbor 7.24

Bar Harbor Opt. 5pc Drawer 7.24

Bayport Slab Drawer 7.23

Boulevard Opt. 5pc Drawer 7.15

Cambridge Opt. 5pc Drawer 7.21

Camden 7.25

Camden Opt. 5pc Drawer 7.25

Chatham Shaker Opt. 5pc Drawer 7.26

Cheasapeake 7.27

Classic Arch 7.17

Classic Opt. 5pc Drawer 7.17

Contempo Paint 7.40

Contempo Slab Drawer 7.40

Cottage Slab Drawer 7.27

Elite Arch 7.18

Elite Opt. 5pc Drawer 7.18

Estate Opt. 5pc Drawer 7.22

Estate Square 7.22

Frontier 7.28

Greenwich 5pc Drawer 7.29

Harmony 7.45

Hawthorne 7.29

**B \$28 continued...**

Hawthorne Opt. 5pc Drawer 7.30

Jefferson Opt. 5pc Drawer 7.38

LaVelle 7.18

LaVelle Opt. 5pc Drawer 7.19

Lenox Opt. 5pc Drawer 7.38

Manchester 7.31

Manchester Opt. 5pc Drawer 7.31

Mission Opt. 5pc Drawer 7.32

Niagara 5pc Drawer 7.32

Nottingham Arch 7.20

Nottingham Opt. 5pc Drawer 7.20

Oxford Opt. 5pc Drawer 7.33

Portland Opt. 5pc Drawer 7.16

Serenity 7.40

Shaker Opt. 5pc Drawer 7.35

**C \$54**

Bayport Square 7.23

Bayport Opt. 5pc Drawer 7.23

Canterbury 7.41

Canterbury 5pc Drawer 7.41

Chautauqua Opt. 5pc Drawer 7.26

Cheasapeake Opt. 5pc Drawer 7.27

Cottage 7.27

Cottage Opt. 5pc Drawer 7.28

Estate Arch 7.22

Frontier Opt. 5pc Drawer 7.28

Looking Glass 7.41

Looking Glass 5pc Drawer 7.41

Madison 7.30

Madison Opt. 5pc Drawer 7.30

Mericana 7.42

Mericana Opt. 5pc Drawer 7.43

Niagara 7.32

Paragon 7.41

Paragon 5pc Drawer 7.41

Plymouth 7.43

Plymouth Hastings Drawer 7.43

Primitive 7.33

Primitive Opt. 5pc Drawer 7.34

Richmond 7.44

Richmond 5pc Drawer 7.44

Riverwalk 7.34

Riverwalk Opt. 5pc Drawer 7.34

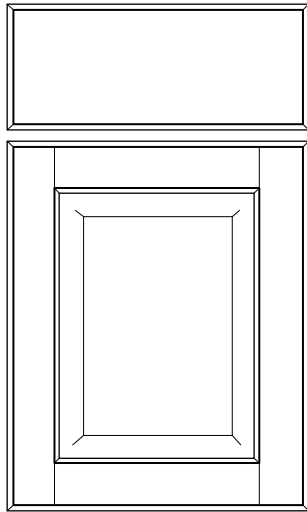
Socialite Opt. 5pc Drawer 7.36

Stockholm 7.45

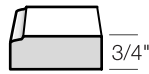
**D \$82**

Bayport Arch	7.23
Chautauqua	7.26
Essex	7.42
Essex 9pc Drawer	7.42
Light House	7.42
Lighthouse 9pc Drawer	7.42
Plymouth 9pc Drawer	7.44
Showcase	7.45
Showcase Drawer	7.45
<b>F \$136</b>	
Opus	7.43
<b>X \$1.02/Sq. inch of face frame</b>	
Brighton Aluminum	7.46
<b>XX \$1.18/Sq. inch of face frame</b>	
Brighton Stainless	7.46

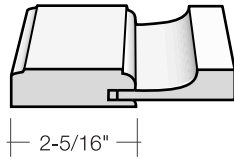
## Avenue



Drawer



Door



Price Group: B- (\$28) Deduct Door

Drawer: Avenue Slab Drawer

Drawer Price: A N/C

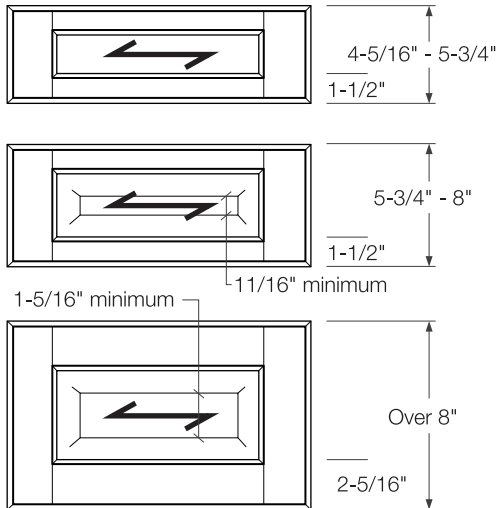
Minimum: Width: 7-1/2; Height: 7-1/2

Options:  All Mullions and Frame only are available.

Notes:

- Available only as a 5 pc MDF door. Use Paint Grade (MDF door) material pricing found on page 6.3. Available in solid paints only.
- Available in 1/2" Cup, Full Overlay and Euro Full Overlay only.
- Can be reduced to 6-7/8" W with 2" stiles.
- Standard as shown. Edge Profile, Panel Raise and Framing Bead may not be modified.
- **Edge profile is LC-2. Valances will receive a C-2 edge.**

## Avenue Opt. 5pc Drawer



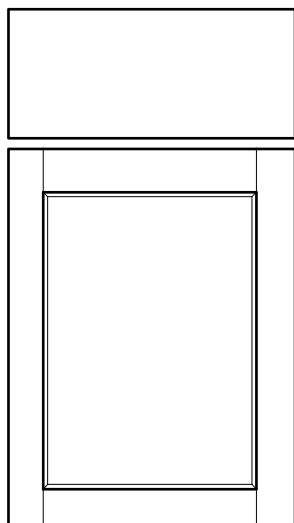
Drawer Price: B \$28

Minimum: Width: 7-1/2; Height: 4-5/16

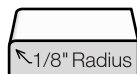
Notes:

- Available only as a 5 pc MDF drawer. Use Paint Grade (MDF door) material pricing found on page 6.3. Available in solid paints only.
- Drawers 5 3/4" H and under will receive flat center panel.
- Stiles 2-5/16", Rails 1-1/2" on drawers 8" H and under.
- Minimum height with standard raise will leave 11/16" for hardware.
- **Edge profile is LC-2. Valances will receive a C-2 edge.**

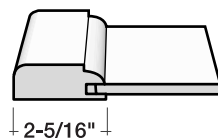
## Boulevard



Drawer



Door



Price Group: B- (\$28) Deduct Door

Drawer: Boulevard Slab Drawer

Drawer Price: A N/C

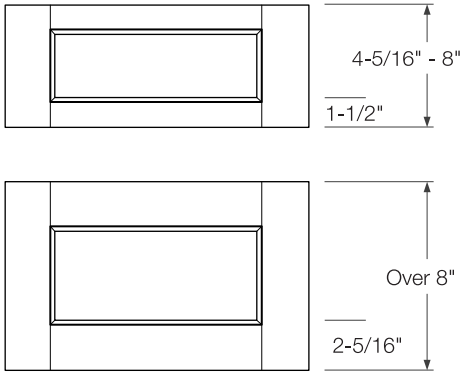
Minimum: Width: 6-7/8; Height: 7-1/2

Options:  All Mullions and Frame only are available.

Notes:

- Can be reduced to 6-7/8" W with 2" stiles.
- Stained orders may have variation in color on the 1/4" veneer center panel. Please consider the Chatham Shaker door for stained orders.
- This door is not available in rustic grade or heirloom finish. Please consider the Chatham Shaker door for these selections.
- See page 7.2 for 3/8" Partial Inset lip options. B-lip will be standard.
- Also available as a 5 pc MDF door. Use Paint Grade (MDF door) material pricing from page 6.3. Available in solid paints only.
- 5pc MDF is not available in 1/2 knife, 3/8 inset or beaded inset.
- **Edge profile is L-149. Valances will receive the same profile.**

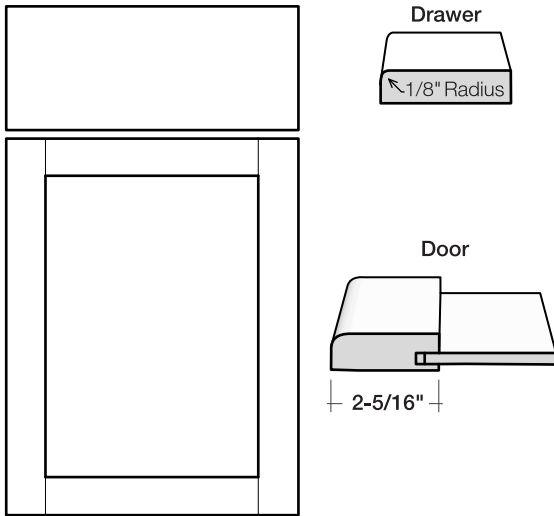
### Boulevard Opt. 5pc Drawer



Drawer Price: B \$28  
 Minimum: Width: 7-1/2"; Height: 4-5/16"

- Notes:
- Minimum height with 1-1/2" rails will leave 1-1/4" for hardware.
  - Stiles 2-5/16", Rails 1-1/2" on drawers 8" H and under.
  - Also available as a 5 pc MDF drawer. Use Paint Grade (MDF door) material pricing from page 6.3. Available in solid paints only.
  - 5pc MDF is not available in 1/2 knife, 3/8 inset or beaded inset.
  - **Edge profile is L-149. Valances will receive the same profile.**

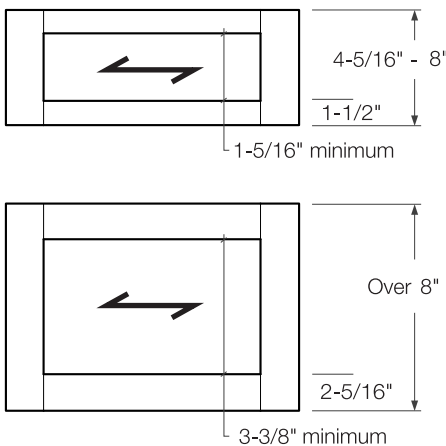
### Portland



Price Group: B- (\$28) Deduct Door  
 Drawer: Portland Slab Drawer  
 Drawer Price: A N/C  
 Minimum: Width: 6-7/8"; Height: 7-1/2"  
 Options:  All Mullions and Frame only are available.  
 Notes:

- Can be reduced to 6-7/8" W with 2" stiles.
- Stained orders could have a variation of color on the 1/4" Veneer panel. Consider Shaker-L149 door style for stained orders.
- This door is not available in rustic grade or heirloom finish. Consider the Shaker-L149 door as an alternative.
- See page 7.2 for 3/8" Partial Inset lip options. B-lip will be standard.
- See page 7.6 for Full Inset options.
- **Edge profile is L-149. Valances will receive the same profile.**

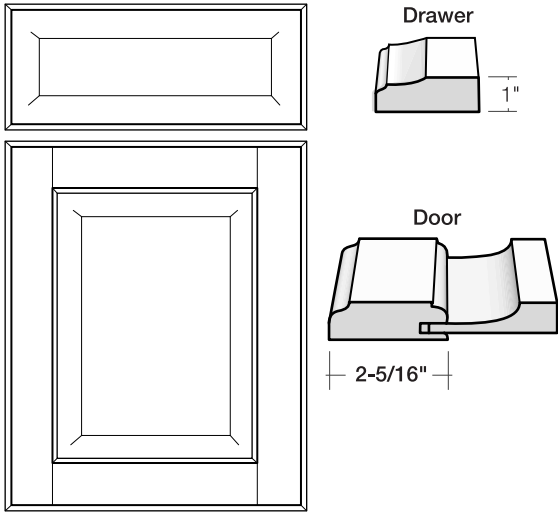
### Portland Opt. 5pc Drawer



Drawer Price: B \$28  
 Minimum: Width: 7-1/2"; Height: 4-5/16"

- Notes:
- Minimum height with 1-1/2" rails will leave 1-1/4" for hardware.
  - Stiles 2-5/16", Rails 1-1/2" on drawers 8" H and under.
  - **Edge profile is L-149. Valances will receive the same profile.**

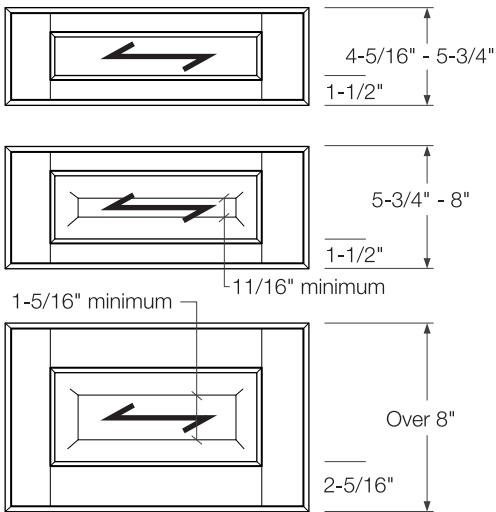
## Classic Square



Price Group: A N/C  
 Drawer: Classic 1" Drawer  
 Drawer Price: A N/C  
 Minimum: Width: 7-1/2"; Height: 7-1/2  
 Options:  All Mullions and Frame only are available.  
 Notes:

- See page 7.2 for 3/8" Partial Inset lip options. C-lip will be standard.
- See page 7.6 for Full Inset options.
- Can be reduced to 6-7/8" W with 2" stiles.
- **Edge profile is C-2. Valances will receive the same profile.**

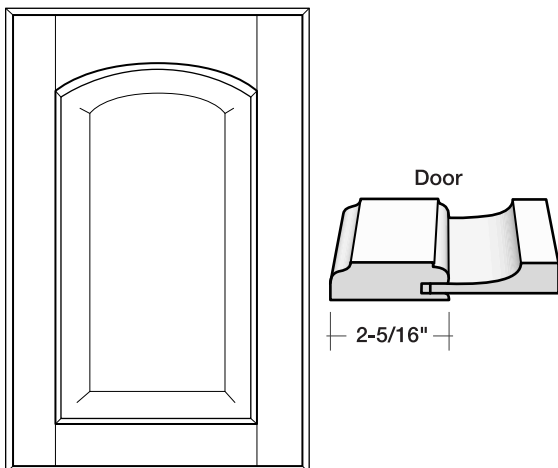
## Classic Opt. 5pc Drawer



Drawer Price: B \$28  
 Minimum: Width: 7-1/2"; Height: 4-5/16  
 Notes:

- Drawers 5-3/4" H and under will receive flat center panel.
- Stiles 2-5/16", Rails 1-1/2" on drawers 8" H and under.
- Minimum height with standard raise will leave 11/16" for hardware.
- **Edge profile is C-2. Valances will receive the same profile.**

## Classic Arch

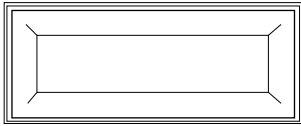


Price Group: B \$28  
 Minimum: Width: 8-1/4"; Height: 8-1/2  
 Options:  All Mullions and Frame only are available.  
 Notes:

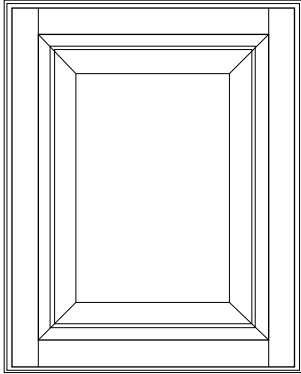
- See page 7.2 for 3/8" Partial Inset lip options. C-lip will be standard.
- See page 7.6 for Full Inset options.
- Can be reduced to 7-5/8" W with 2" stiles.
- **Edge profile is C-2. Valances will receive the same profile.**



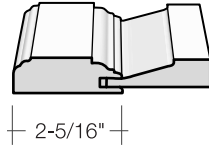
## Elite Square



Drawer



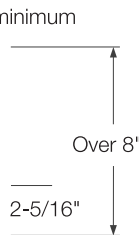
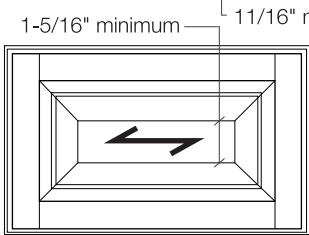
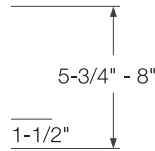
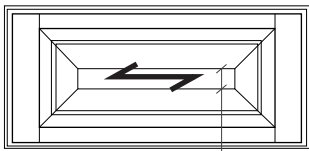
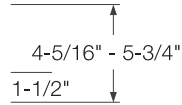
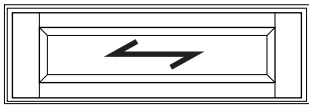
Door



Price Group: A N/C  
 Drawer: Elite 1" Drawer  
 Drawer Price: A N/C  
 Minimum: Width: 7-1/2; Height: 7-1/2  
 Options:  All Mullions and Frame only are available.  
 Notes:

- Mullion bead will be Ogee.
- See page 7.2 for 3/8" Partial Inset lip options. H-lip will be standard.
- See page 7.6 for Full Inset options.
- Can be reduced to 6-7/8" W with 2" stiles.
- **Edge profile is H-2. Valances will receive the same profile.**

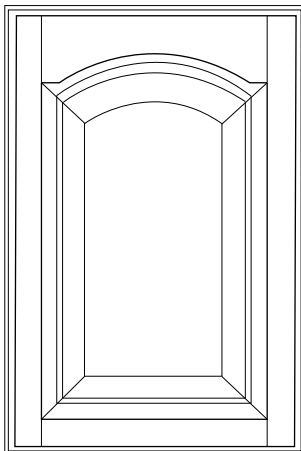
## Elite Opt. 5pc Drawer



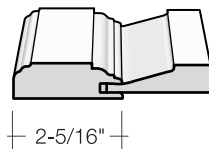
Drawer Price: B \$28  
 Minimum: Width: 7-1/2; Height: 4-5/16  
 Notes:

- Drawers 5-3/4" H and under will receive flat center panel.
- Stiles 2-5/16", Rails 1-1/2" on drawers 8" H and under.
- Minimum height with raised panel will leave 11/16" for hardware.
- **Edge profile is H-2. Valances will receive the same profile.**

## Elite Arch

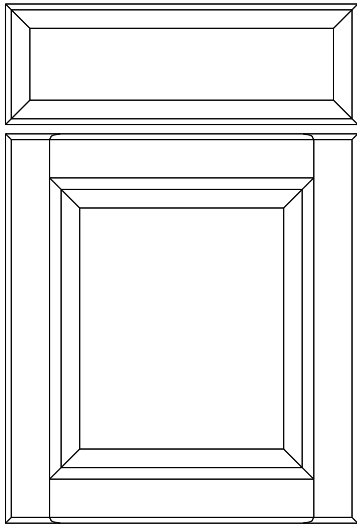


Door



Price Group: B \$28  
 Minimum: Width: 8-1/4; Height: 8-1/2  
 Options:  All Mullions and Frame only are available.  
 Notes:

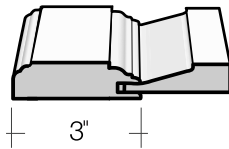
- See page 7.2 for 3/8" Partial Inset lip options. H-lip will be standard.
- See page 7.6 for Full Inset options.
- Can be reduced to 7-5/8" W with 2" stiles.
- **Edge profile is H-2. Valances will receive the same profile.**



Drawer



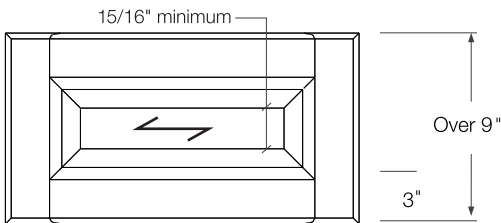
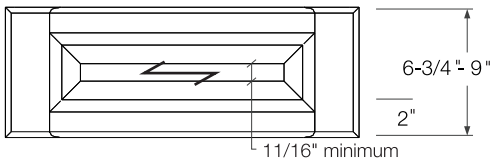
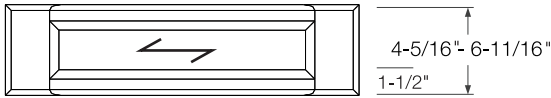
Door



Price Group: B \$28  
 Drawer: Elite 1" Drawer  
 Drawer Price: A N/C  
 Minimum: Width: 8-7/8; Height: 8-7/8  
 Options:  All Mullions and Frame only are available.  
 Notes:

- Mullion bead will be Ogee.
- See page 7.2 for 3/8" Partial Inset lip options. H-lip will be standard.
- See page 7.6 for Full Inset options.
- Can be reduced to 6-7/8" W with 2" stiles.
- **Edge profile is H-2. Valances will receive the same profile.**

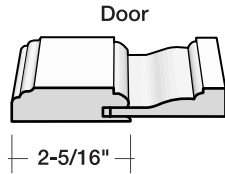
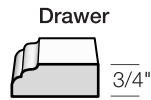
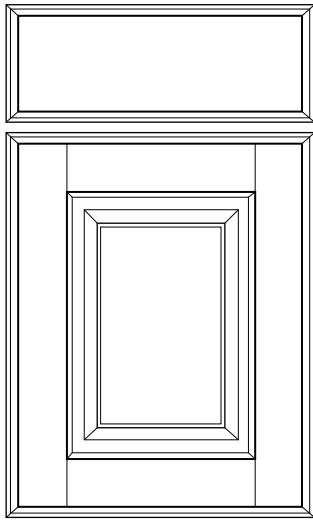
LaVelle Opt. 5pc Drawer



Drawer Price: B \$28  
 Minimum: Width: 7-1/2; Height: 4-5/16  
 Notes:

- Stiles 3", Rails 1-1/2" on drawers 6-11/16" H and under. The rails increase to 2" over 6-11/16" and are full width (3") over 9"H.
- **Edge profile is H-2. Valances will receive the same profile.**

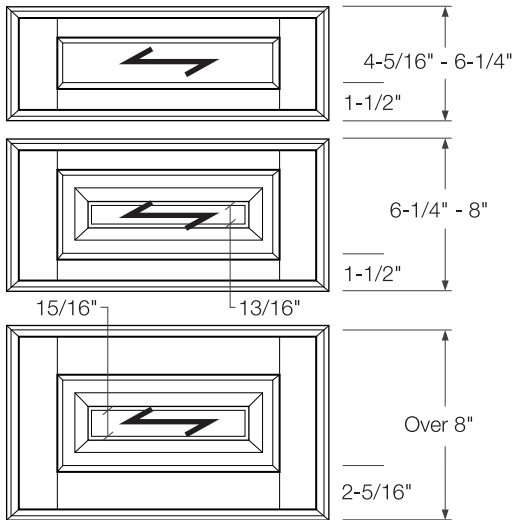
## Nottingham Square



Price Group: A N/C  
 Drawer: Nottingham Slab Drawer  
 Drawer Price: A N/C  
 Minimum: Width: 7-1/2; Height: 7-1/2  
 Options:  All Mullions and Frame only are available.  
 Notes:

- See page 7.2 for 3/8" Partial Inset lip options. H-lip will be standard.
- See page 7.6 for Full Inset options.
- Can be reduced to 6-7/8" W with 2" stiles.
- **Edge profile is H-2. Valances will receive the same profile.**

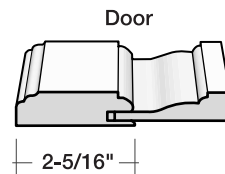
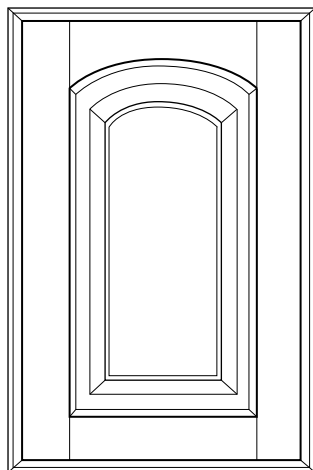
## Nottingham Opt. 5pc Drawer



Drawer Price: B \$28  
 Minimum: Width: 7-1/2; Height: 4-5/16  
 Notes:

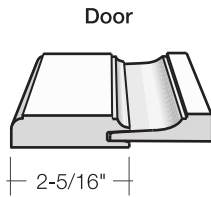
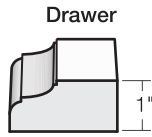
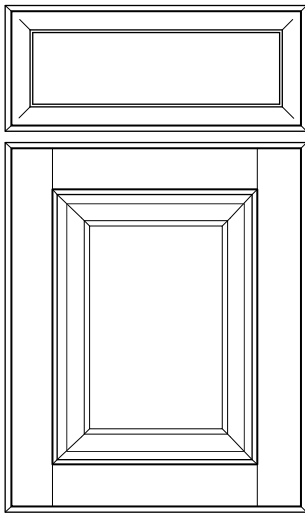
- Drawers 6-1/4" H and under will receive flat center panel.
- Stiles 2-5/16", Rails 1-1/2" on drawers 8" H and under.
- Minimum height with raised panel will leave 13/16" for hardware.
- **Edge profile is H-2. Valances will receive the same profile.**

## Nottingham Arch



Price Group: B \$28  
 Minimum: Width: 8-1/4; Height: 8-1/2  
 Options:  All Mullions and Frame only are available.  
 Notes:

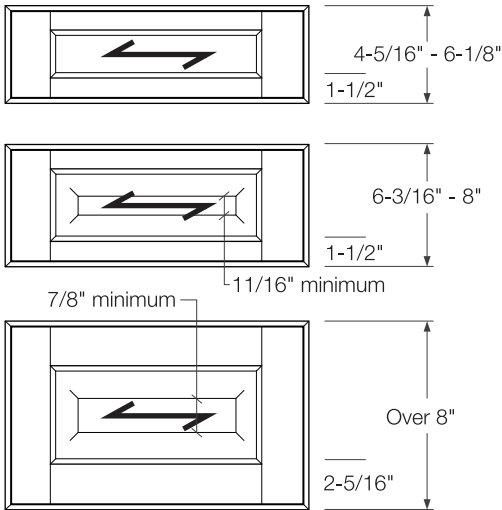
- See page 7.2 for 3/8" Partial Inset lip options. H-lip will be standard.
- See page 7.6 for Full Inset options.
- Can be reduced to 7-5/8" W with 2" stiles.
- **Edge profile is H-2. Valances will receive the same profile.**



Price Group: A N/C  
 Drawer: Cambridge 1" Drawer  
 Drawer Price: A N/C  
 Minimum: Width: 7-1/2; Height: 7-1/2  
 Options:  Frame only and MUL Available  
 Notes:

- See page 7.2 for 3/8" Partial Inset lip options. PRS-lip will be standard.
- See page 7.6 for Full Inset options.
- Can be reduced to 6-7/8" W with 2" stiles.
- **Edge profile is PRS-2. Valances will receive the same profile.**

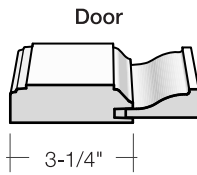
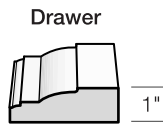
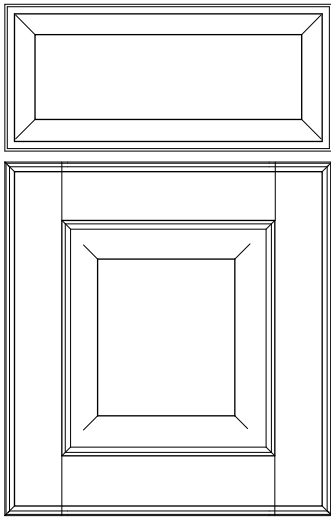
Cambridge Opt. 5pc Drawer



Drawer Price: B \$28  
 Minimum: Width: 7-1/2; Height: 4-5/16  
 Notes:

- Stiles 2-5/16", Rails 1-1/2" on drawers 8" H and under.
- Drawer fronts 6-1/8 and under will receive a flat center panel.
- **Edge profile is PRS-2. Valances will receive the same profile.**

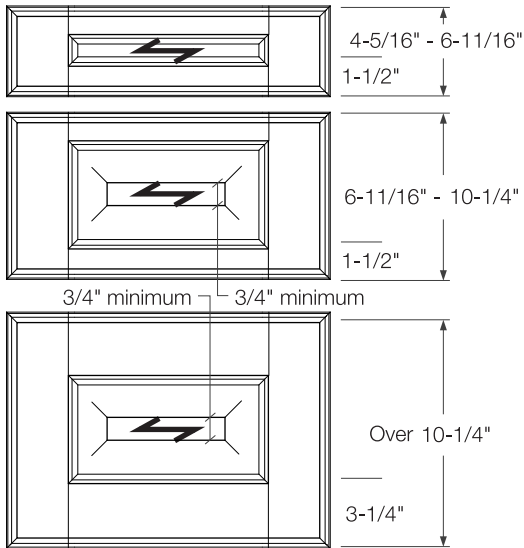
## Estate Square



Price Group: B \$28  
 Drawer: Estate 1" Drawer  
 Drawer Price: A N/C  
 Minimum: Width: 9-3/8; Height: 9-3/8  
 Options:  All Mullions and Frame only are available.  
 Notes:

- See page 7.2 for 3/8" Partial Inset lip options. H-lip will be standard.
- See page 7.6 for Full Inset options. Special consideration for smaller cabinets.
- Can be reduced to 6-7/8"W with 2" stiles.
- **Edge profile is L-803. Valances will receive the same profile.**

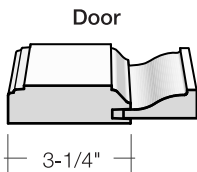
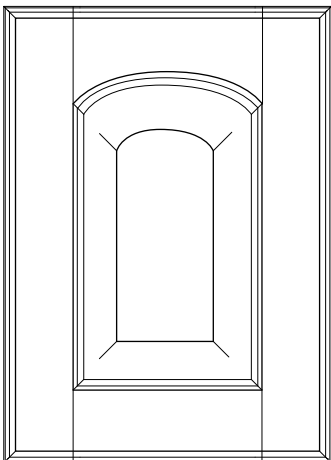
## Estate Opt. 5pc Drawer



Drawer Price: B \$28  
 Minimum: Width: 9-7/16; Height: 4-5/16  
 Notes:

- Drawers 6-11/16" H and under will receive flat center panel.
- Stiles 3-1/4", Rails 1-1/2" on drawers 10-1/4" H and under.
- Minimum height with raised panel will leave 3/4" for hardware.
- **Edge profile is L-803. Valances will receive the same profile.**

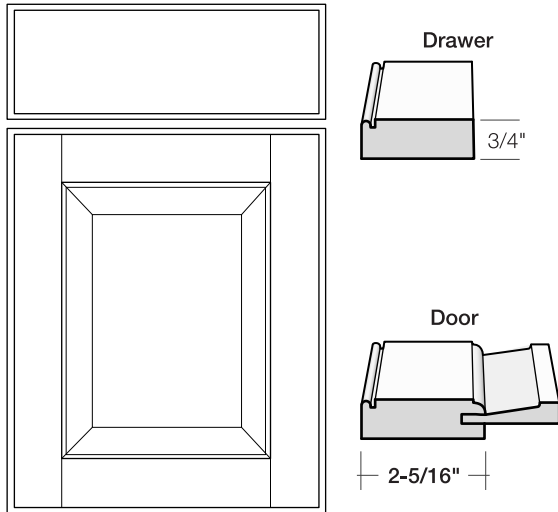
## Estate Arch



Price Group: C \$54  
 Minimum: Width: 10-1/8; Height: 9-7/16  
 Options:  All Mullions and Frame only are available.  
 Notes:

- See page 7.2 for 3/8" Partial Inset lip options. H-lip will be standard.
- See page 7.6 for Full Inset options. Special consideration for smaller cabinets.
- Can be reduced to 7-5/8"W with 2" stiles.
- **Edge profile is L-803. Valances will receive the same profile.**

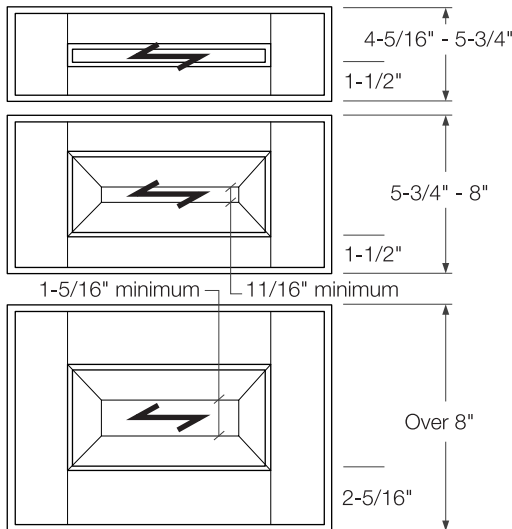
## Bayport Square



Price Group: C \$54  
 Drawer: Bayport Slab Drawer  
 Drawer Price: B \$28  
 Minimum: Width: 7-1/2; Height: 7-1/2  
 Options:  All Mullions and Frame only are available.  
 Notes:

- This door is commonly displayed as inset. Be sure to add for appropriate hinge charges. See page 7.6 for Full Inset options.
- Can be reduced to 6-7/8" W with 2" stiles.
- LC bead not available in Full inset cup.
- Edge profile is LC-Bead. Valances will receive an eased edge (1/8" radius).

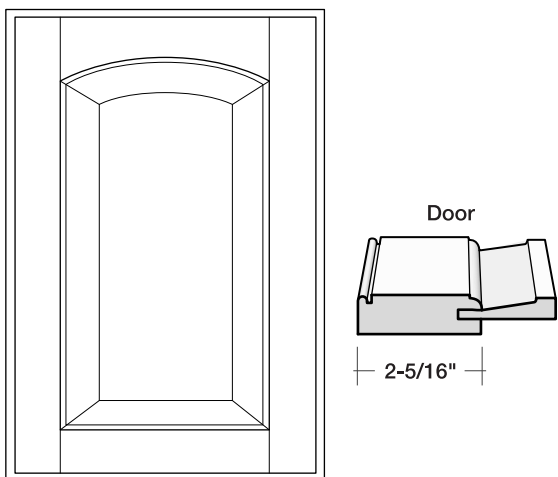
## Bayport Opt. 5pc Drawer



Drawer Price: C \$54  
 Minimum: Width: 7-1/2; Height: 5-3/4  
 Notes:

- Drawers 5-3/4" H and under will receive flat center panel.
- Stiles 2-5/16, Rails 1-1/2 on drawers 8" H and under.
- Minimum height with raised panel will leave 11/16" for hardware.
- LC bead not available in Full inset cup.
- Edge profile is LC-Bead. Valances will receive an eased edge (1/8" radius).

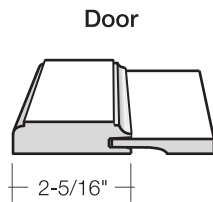
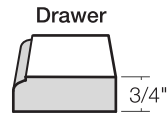
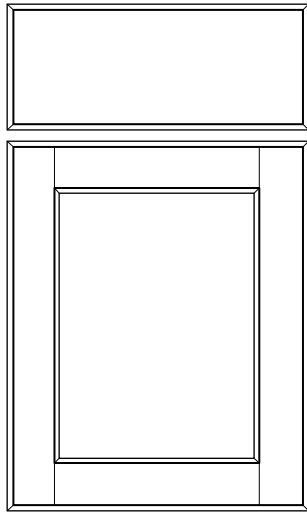
## Bayport Arch



Price Group: D \$82  
 Minimum: Width: 8-1/4; Height: 8-1/2  
 Options:  All Mullions and Frame only are available.  
 Notes:

- This door is commonly displayed as inset. Be sure to add for appropriate hinge charges. See page 7.6 for Full Inset options.
- Can be reduced to 7-5/8" W with 2" stiles.
- LC bead not available in Full inset cup.
- Edge Profile is LC-Bead. Valances will receive an eased edge (1/8" radius).

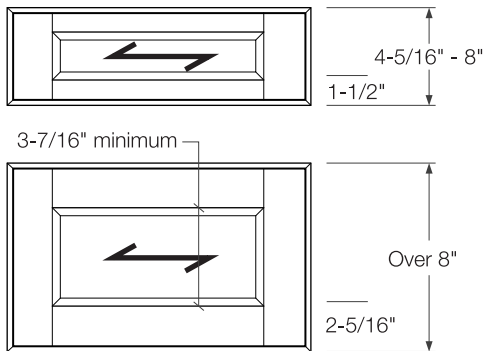
## Amherst



Price Group: A N/C  
 Drawer: Amherst Slab Drawer  
 Drawer Price: A N/C  
 Minimum: Width: 7-1/2; Height: 7-1/2  
 Options:  Frame only and MUL Available  
 Notes:

- See page 7.2 for 3/8" Partial Inset lip options. PRS-lip will be standard.
- See page 7.6 for Full Inset options.
- Can be reduced to 6-7/8" W with 2" stiles.
- **Edge profile is PRS-2. Valances will receive the same profile.**

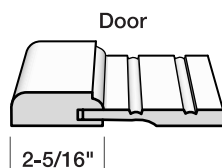
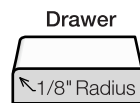
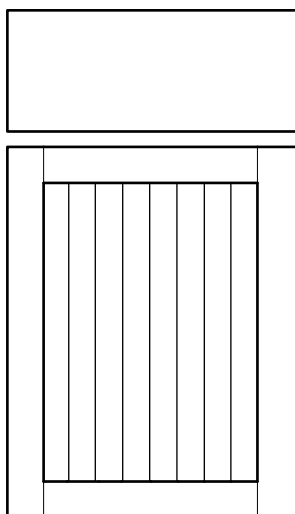
## Amherst Opt. 5pc Drawer



Drawer Price: B \$28  
 Minimum: Width: 7-1/2; Height: 4-5/16  
 Notes:

- Stiles 2-5/16", Rails 1-1/2" on drawers 8" H and under.
- **Edge profile is PRS-2. Valances will receive the same profile.**

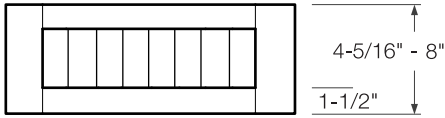
## Bar Harbor



Price Group: B \$28  
 Drawer: Bar Harbor Slab Drawer  
 Drawer Price: A N/C  
 Minimum: Width: 7-1/2; Height: 7-1/2  
 Options:  All Mullions and Frame only are available.  
 Notes:

- Can be reduced to 6-7/8" W with 2" stiles.
- Panel 1-1/2" spacing from groove center to groove center standard. Grooving begins at Center.
- See page 7.2 for 3/8" Partial Inset lip options. B-lip will be standard.
- See page 7.6 for Full Inset options.
- Use BW for best match to grooves. See page 14.17 for BW board.
- **Edge profile is L-149. Valances will receive the same profile.**

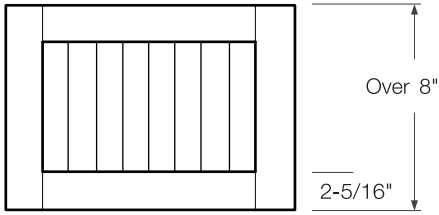
## Bar Harbor Opt. 5pc Drawer



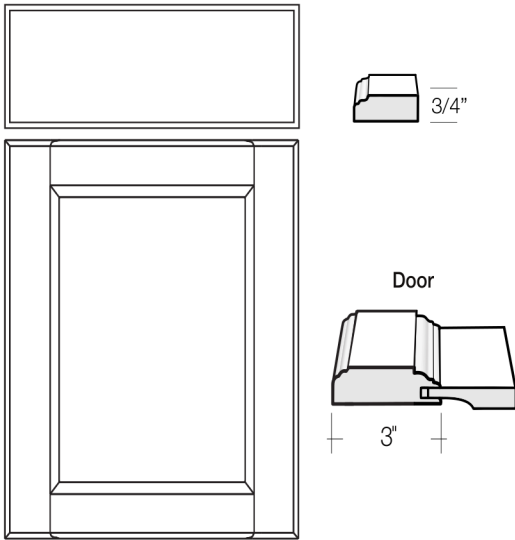
Drawer Price: B \$28  
 Minimum: Width: 7-1/2; Height: 4-5/16

Notes:

- Stiles 2-5/16", Rails 1-1/2" on drawers 8" H and under.
- **Edge profile is L-149. Valances will receive the same profile.**



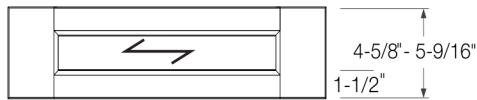
## Camden



Price Group: B \$28  
 Drawer: Camden Slab Drawer  
 Drawer Price: A N/C  
 Minimum: Width: 8-7/8; Height: 8-7/8  
 Options:  All Mullions and Frame only are available.  
 Notes:

- See page 7.6 for Full Inset options.
- See page 7.2 for 3/8" Partial Inset lip options. H-lip will be standard.
- Mullion bead will be Ogee.
- Can be reduced to 6-7/8" W with 2" stiles.

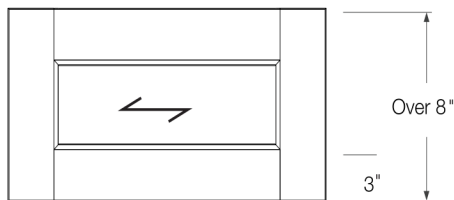
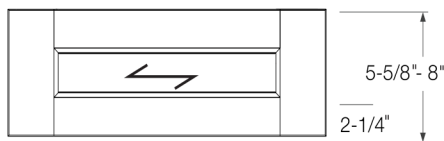
## Camden Opt. 5pc Drawer



Drawer Price: B \$28  
 Minimum: Width: 7-1/2; Height: 4-5/16

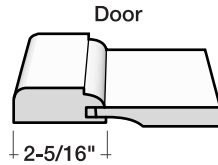
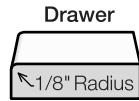
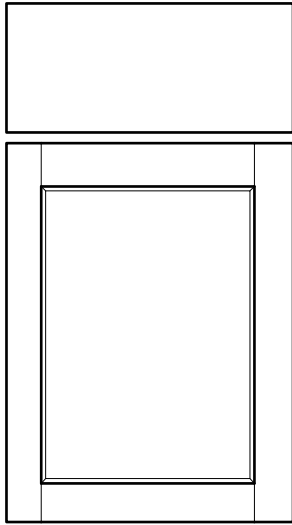
Notes:

- Stiles 3", Rails 1-1/2" on drawers 5-9/16" H and under. The rails increase to 2-1/4" over 5-9/16" and are full width (3") over 8"H.
- **Edge profile is H-2. Valances will receive the same profile.**





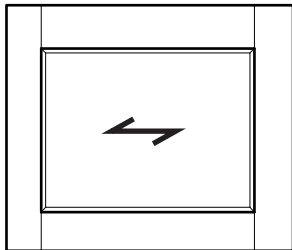
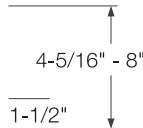
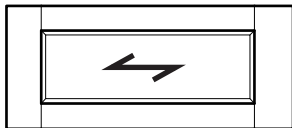
## Chatham Shaker



Price Group: A N/C  
 Drawer: Chatham Shaker Slab Drawer  
 Drawer Price: A N/C  
 Minimum: Width: 7-1/2; Height: 7-1/2  
 Options:  All Mullions and Frame only are available.  
 Notes:

- See page 7.2 for 3/8" Partial Inset lip options. B-lip will be standard.
- See page 7.6 for Full Inset options.
- Can be reduced to 6-7/8" W with 2" stiles.
- **Edge profile is L-149. Valances will receive the same profile.**

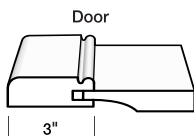
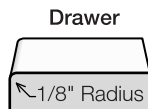
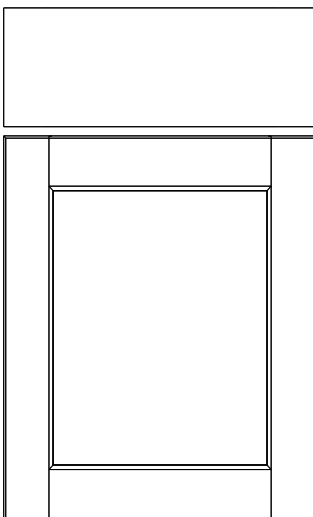
## Chatham Shaker Opt. 5pc Drawer



Drawer Price: B \$28  
 Minimum: Width: 7-1/2; Height: 4-5/16  
 Notes:

- Stiles 2-5/16", Rails 1-1/2" on drawers 8" H and under.
- **Edge profile is L-149. Valances will receive the same profile.**

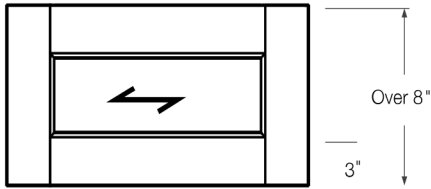
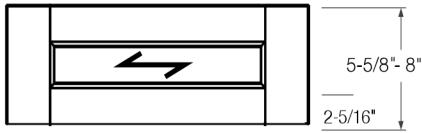
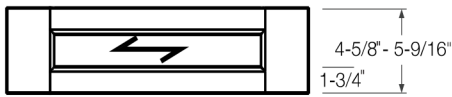
## Chautauqua



Price Group: D \$82  
 Drawer: Chautauqua Slab Drawer  
 Drawer Price: A N/C  
 Minimum: Width: 8-7/8; Height: 8-7/8  
 Options:  All Mullions and Frame only are available.  
 Notes:

- See page 7.2 for 3/8" Partial Inset lip options. B-lip will be standard.
- See page 7.6 for Full Inset options.
- **Edge profile is L-149. Valances will receive the same profile.**

## Chatauqua Opt. 5pc Drawer



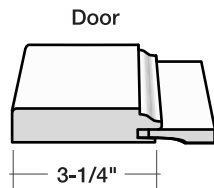
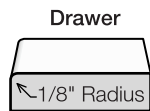
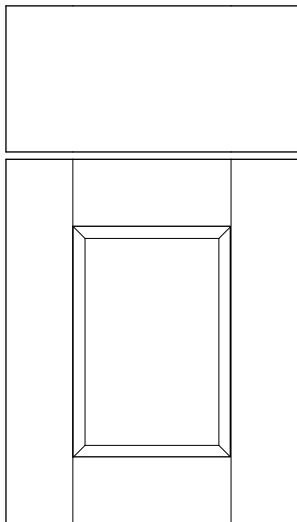
Drawer Price: C \$54

Minimum: Width: 7-1/2; Height: 4-5/16

Notes:

- Stiles 3", Rails 1-3/4" on drawers 5-9/16" H and under. The rails increase to 2-1/4" over 5-5/8" and are full width (3") over 8"H.
- **Edge profile is L-149. Valances will receive the same profile.**

## Cheasapeake



Price Group: B \$28

Drawer: Cheasapeake Slab Drawer

Drawer Price: A N/C

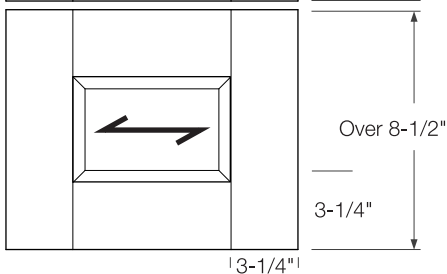
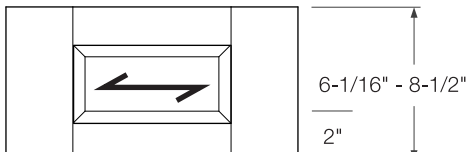
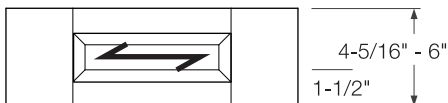
Minimum: Width: 9-3/8; Height: 9-3/8

Options:  All Mullions and Frame only are available.

Notes:

- See page 7.2 for 3/8" Partial Inset lip options. B-lip will be standard.
- See page 7.6 for Full Inset options. Special consideration for smaller cabinets.
- Can be reduced by reducing stiles and rails.
- **Edge profile is L-149. Valances will receive the same profile.**

## Cheasapeake Opt. 5pc Drawer



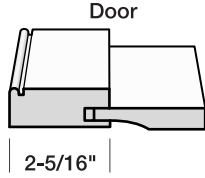
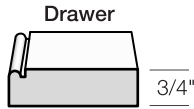
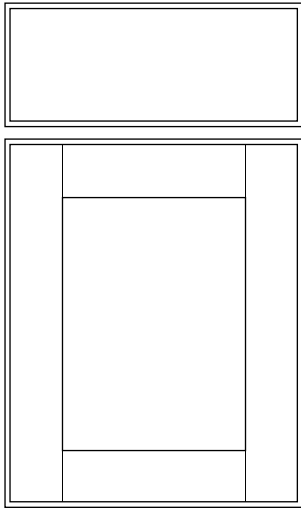
Drawer Price: C \$54

Minimum: Width: 7-1/2; Height: 4-5/16

Notes:

- Stiles 3-1/4", Rails 1-1/2" on drawers 6" H and under. The rails increase to 2" over 6" and are full width (3-1/4") over 8-1/2"H.
- **Edge profile is L-149. Valances will receive the same profile.**

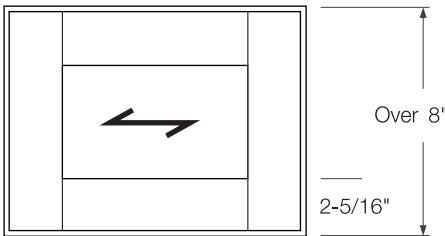
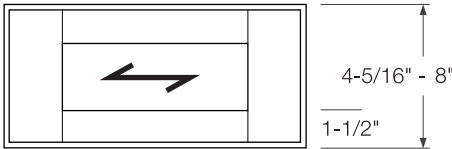
## Cottage



Price Group: C \$54  
 Drawer: Cottage Slab Drawer  
 Drawer Price: B \$28  
 Minimum: Width: 7-1/2; Height: 7-1/2  
 Options:  All Mullions and Frame only are available.  
 Notes:

- This door is commonly displayed as inset. Be sure to add for appropriate hinge charges. See page 7.6 for Full Inset options.
- Can be reduced to 6-7/8" W with 2" stiles.
- LC bead not available in Full inset cup.
- Edge profile is LC-Bead. Valances will receive an eased edge (1/8" radius).

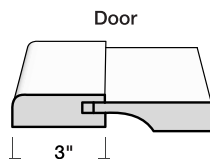
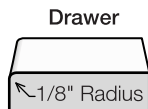
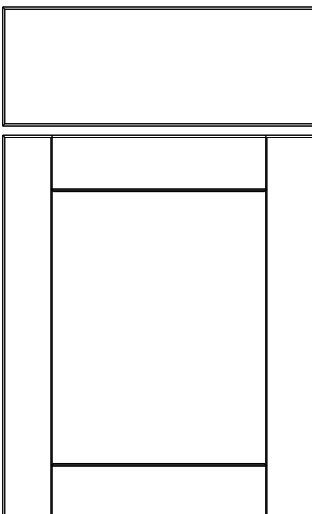
## Cottage Opt. 5pc Drawer



Drawer Price: C \$54  
 Minimum: Width: 7-1/2; Height: 4-5/16  
 Notes:

- Stiles 2-5/16", Rails 1-1/2" on drawers 8" H and under.
- Edge profile is LC-Bead. Valances will receive an eased edge (1/8" radius).

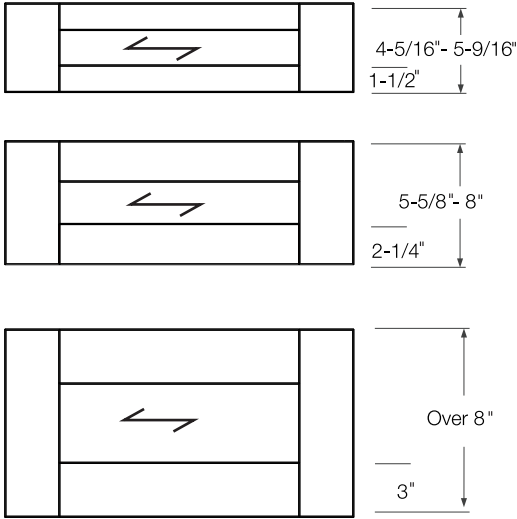
## Frontier



Price Group: B \$28  
 Drawer: Frontier Slab Drawer  
 Drawer Price: A N/C  
 Minimum: Width: 8-7/8; Height: 8-7/8  
 Options:  All Mullions and Frame only are available.  
 Notes:

- DRP with MUL doors will be Hawthorne style - the panel recess will not match.
- Hawthorne style uses a square bead for mullions and Prep for Insert.
- See page 7.2 for 3/8" Partial Inset lip options. B-lip will be standard.
- See page 7.6 for Full Inset options.
- Can be reduced to 6-7/8" W with 2" stiles.
- Edge profile is L-149. Valances will receive the same profile.

## Frontier Opt. 5pc Drawer

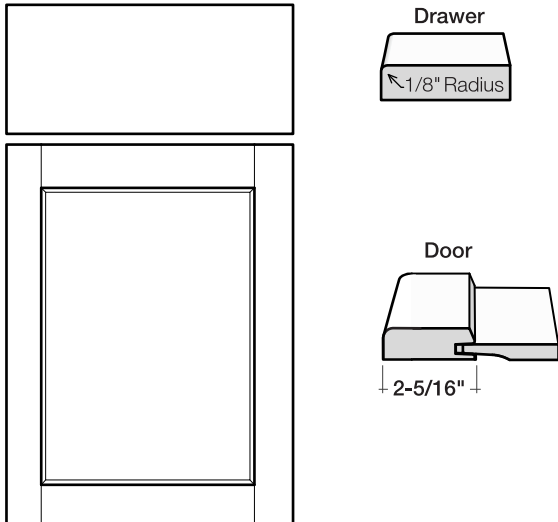


Drawer Price: C \$54  
 Minimum: Width: 7-1/2; Height: 4-5/16

**Notes:**

- Stiles 3", Rails 1-1/2" on drawers 5-9/16" H and under. The rails increase to 2-1/4" over 5-5/8" and are full width (3") over 8"H.
- **Edge profile is L-149. Valances will receive the same profile.**

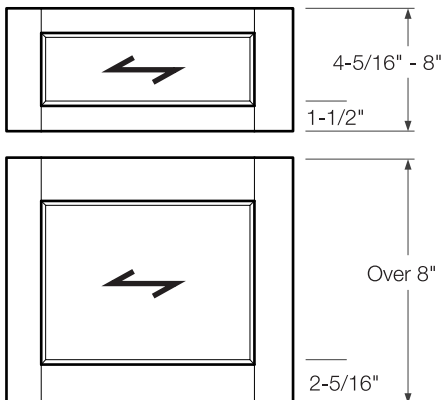
## Greenwich



Price Group: A N/C  
 Drawer: Greenwich Slab Drawer  
 Drawer Price: A N/C  
 Minimum: Width: 7-1/2; Height: 7-1/2  
 Options:  All Mullions and Frame only are available.  
**Notes:**

- See page 7.2 for 3/8" Partial Inset lip options. B-lip will be standard.
- See page 7.6 for Full Inset options. Special consideration for smaller cabinets.
- Can be reduced to 6-7/8"W with 2" stiles.
- Also available as a 5 pc MDF door. Use Paint Grade (MDF door) material pricing from page 6.3. Available in solid paints only.
- 5pc MDF is not available in 1/2 knife, 3/8 inset or beaded inset.
- **Edge profile is L-149. Valances will receive the same profile.**

## Greenwich 5pc Drawer

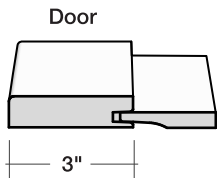
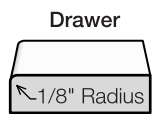
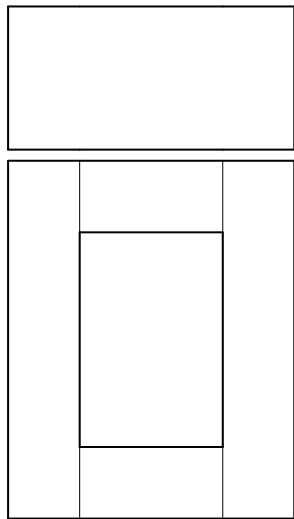


Drawer Price: B \$28  
 Minimum: Width: 7-1/2; Height: 4-5/16

**Notes:**

- Stiles 2-5/16", Rails 1-1/2" on drawers 8" H and under.
- **Edge profile is L-149. Valances will receive the same profile.**

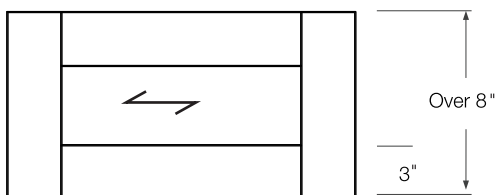
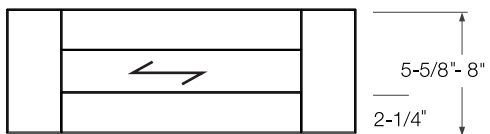
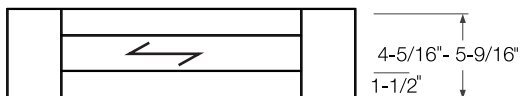
## Hawthorne



Price Group: B \$28  
 Drawer: Hawthorne Slab Drawer  
 Drawer Price: A N/C  
 Minimum: Width: 8-7/8; Height: 8-7/8  
 Options:  All Mullions and Frame only are available.  
 Notes:

- Can be reduced to 6-7/8" W with 2" stiles.
- See page 7.2 for 3/8" Partial Inset lip options. B-lip will be standard.
- See page 7.6 for Full Inset options. Special consideration for smaller cabinets.
- **Edge profile is L-149. Valances will receive the same profile.**

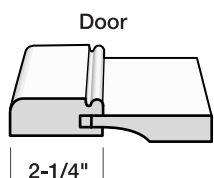
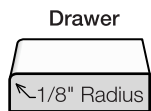
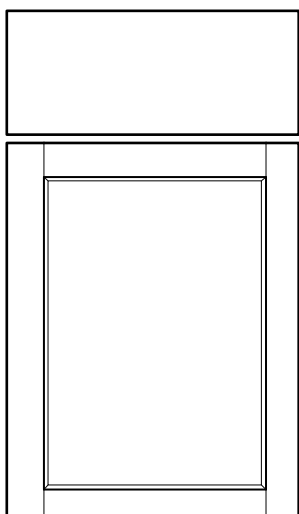
## Hawthorne Opt. 5pc Drawer



Drawer Price: B \$28  
 Minimum: Width: 7-1/2; Height: 4-5/16  
 Notes:

- Stiles 3", Rails 1-1/2" on drawers 5-9/16" H and under. The rails increase to 2-1/4" over 5-5/8" and are full width (3") over 8"H.
- **Edge profile is L-149. Valances will receive the same profile.**

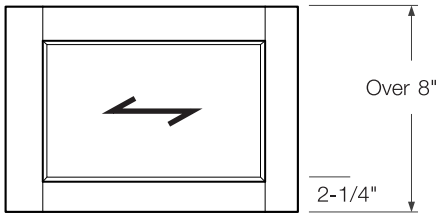
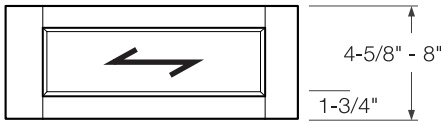
## Madison



Price Group: C \$54  
 Drawer: Madison Slab Drawer  
 Drawer Price: A N/C  
 Minimum: Width: 6-7/8; Height: 6-7/8  
 Options:  All Mullions and Frame only are available.  
 Notes:

- See page 7.2 for 3/8" Partial Inset lip options. B-lip will be standard.
- See page 7.6 for Full Inset options.
- **Edge profile is L-149. Valances will receive the same profile.**

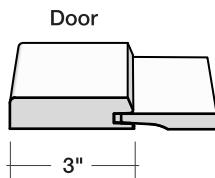
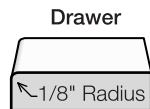
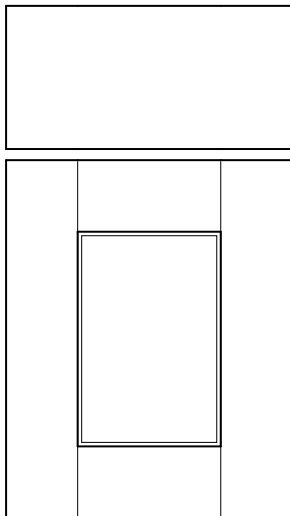
## Madison Opt. 5pc Drawer



Drawer Price: C \$54  
 Minimum: Width: 6-7/8; Height: 4-5/8

- Notes:
- Stiles 2-1/4", Rails 1-3/4" on drawers 8" H and under.
  - **Edge profile is L-149. Valances will receive the same profile.**

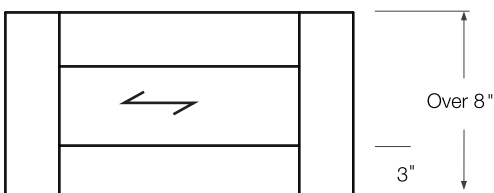
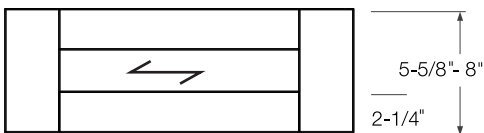
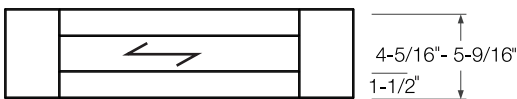
## Manchester



Price Group: B \$28  
 Drawer: Manchester Slab Drawer  
 Drawer Price: A N/C  
 Minimum: Width: 8-7/8; Height: 8-7/8  
 Options:  All Mullions and Frame only are available.  
 Notes:

- See page 7.2 for 3/8" Partial Inset lip options. B-lip will be standard.
- See page 7.6 for Full Inset options. Special consideration for smaller cabinets.
- Can be reduced to 6-7/8"W with 2" stiles.
- Also available as a 5 pc MDF door. Use Paint Grade (MDF door) material pricing from page 6.3. Available in solid paints only.
- 5pc MDF is not available in 1/2 knife, 3/8 inset or beaded inset.
- **Edge profile is L-149. Valances will receive the same profile.**

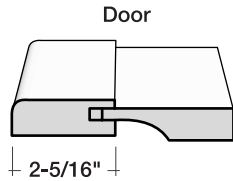
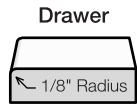
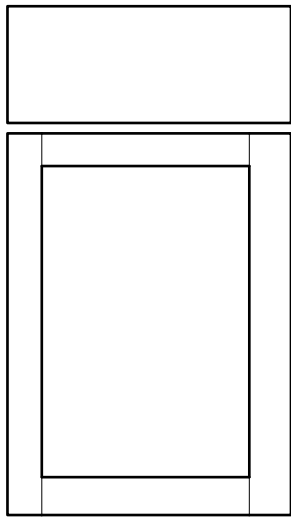
## Manchester Opt. 5pc Drawer



Drawer Price: B \$28  
 Minimum: Width: 7-1/2; Height: 4-5/16

- Notes:
- Stiles 3", the rails increase to full width (3") over 8"H.
  - Also available as a 5 pc MDF drawer. Use Paint Grade (MDF door) material pricing from page 6.3. Available in solid paints only.
  - 5pc MDF is not available in 1/2 knife, 3/8 inset or beaded inset.
  - **Edge profile is L-149. Valances will receive the same profile.**

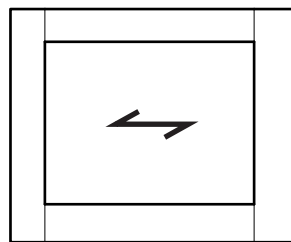
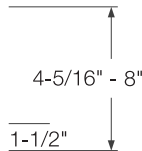
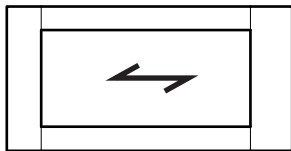
## Mission



Price Group: A N/C  
 Drawer: Mission Slab Drawer  
 Drawer Price: A N/C  
 Minimum: Width: 7-1/2; Height: 7-1/2  
 Options:  All Mullions and Frame only are available.  
 Notes:

- **DRP with MUL doors will be Shaker style - the panel recess will not match.**
- Shaker style uses a square bead for mullions and Prep for Insert.
- See page 7.2 for 3/8" Partial Inset lip options. B-lip will be standard.
- See page 7.6 for Full Inset options.
- Can be reduced to 6-7/8" W with 2" stiles.
- **Edge profile is L-149. Valances will receive the same profile.**

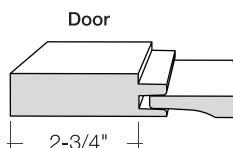
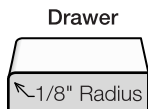
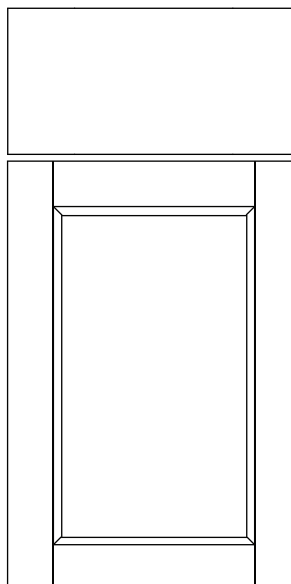
## Mission Opt. 5pc Drawer



Drawer Price: B \$28  
 Minimum: Width: 7-1/2; Height: 4-5/16  
 Notes:

- Minimum height with 1-1/2" rails will leave 1-1/4" for hardware.
- Stiles 2-5/16, Rails 1-1/2" on drawers 8" H and under.
- **Edge profile is L-149. Valances will receive the same profile.**

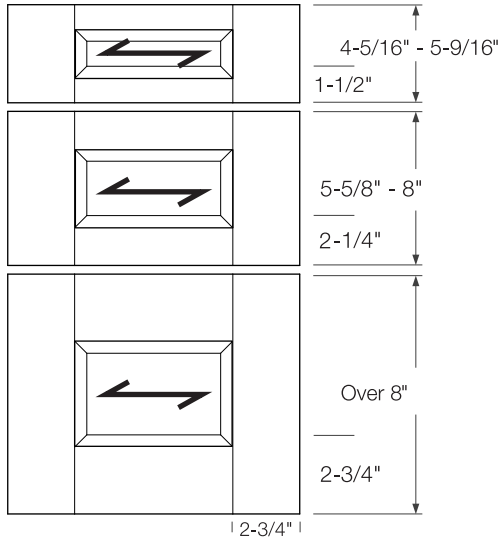
## Niagara



Price Group: C \$54  
 Drawer: Niagara Slab Drawer  
 Drawer Price: A N/C  
 Minimum: Width: 7-5/8; Height: 7-5/8  
 Options:  All Mullions and Frame only are available.  
 Notes:

- Niagara style uses a square bead for mullions.
- See page 7.2 for 3/8" Partial Inset lip options. B-lip will be standard.
- See page 7.6 for Full Inset options. Special consideration for smaller cabinets.
- Can be reduced to 6-7/8" W with 2" stiles.
- **Edge profile is L-149. Valances will receive the same profile.**

## Niagara 5pc Drawer



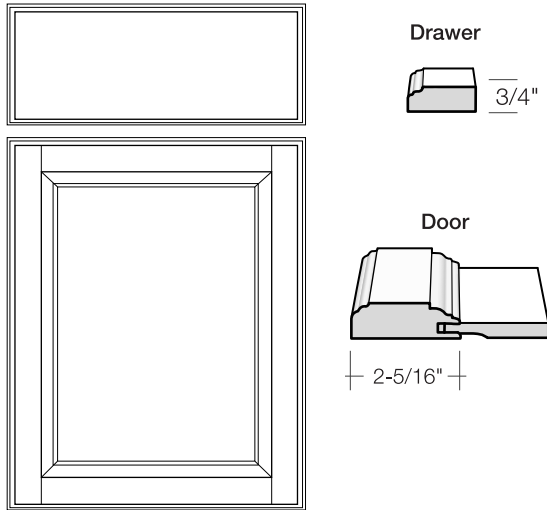
Drawer Price: B \$28

Minimum: Width: 7-1/2; Height: 4-5/16

Notes:

- Drawer fronts over 8" high will have 2-3/4" rails.
- drawer fronts 5-5/8" to 8" will have 2-1/4" rails.
- **Edge profile is L-149. Valances will receive the same profile.**

## Oxford



Price Group: A N/C

Drawer: Oxford Slab Drawer

Drawer Price: A N/C

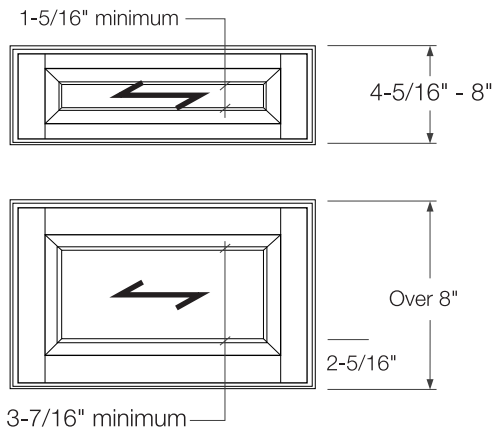
Minimum: Width: 7-1/2; Height: 7-1/2

Options:  All Mullions and Frame only are available.

Notes:

- Mullion bead will be Ogee.
- See page 7.2 for 3/8" Partial Inset lip options. H-lip will be standard.
- See page 7.6 for Full Inset options.
- Can be reduced to 6-7/8" W with 2" stiles.
- **Edge profile is H-2. Valances will receive the same profile.**

## Oxford Opt. 5pc Drawer



Drawer Price: B \$28

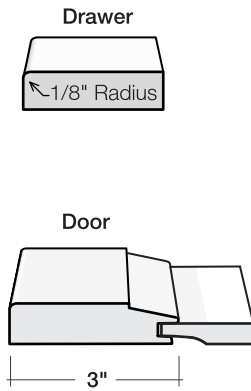
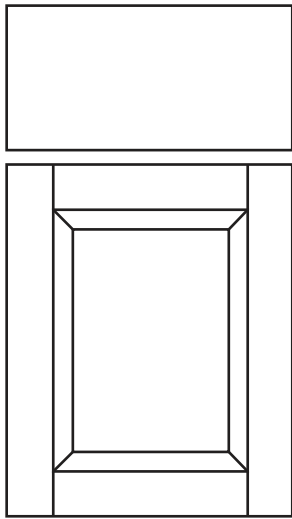
Minimum: Width: 7-1/2; Height: 4-5/16

Notes:

- Drawers over 6 to 8" high will have 2" rails.
- Stiles 2-5/16", Rails 1-1/2" on drawers 6" H and under.
- **Edge profile is H-2. Valances will receive the same profile.**



Primitive

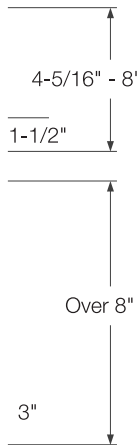
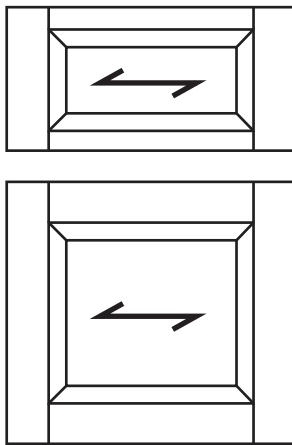


Price Group: C \$54  
 Drawer: Primitive Slab Drawer  
 Drawer Price: A N/C  
 Minimum: Width: 8-7/8; Height: 8-7/8  
 Options:  All Mullions and Frame only are available.  
 MUL-A, MUL-AC and MUL-DIA Available

Notes:

- See page 7.2 for 3/8" Partial Inset lip options. H-lip will be standard.
- See page 7.6 for Full Inset options. Special consideration for smaller cabinets.
- Can be reduced to 6-7/8"W with 2" stiles.
- **Edge profile is L-149. Valances will receive the same profile.**

Primitive Opt. 5pc Drawer

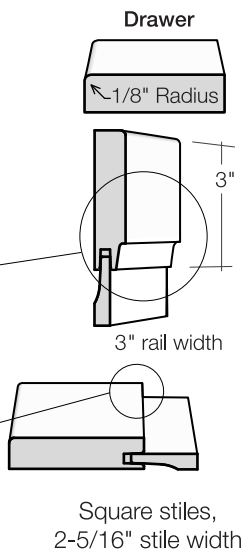
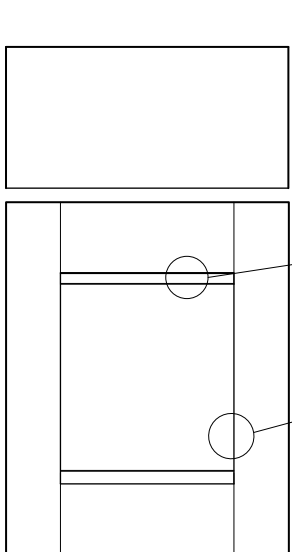


Drawer Price: C \$54  
 Minimum: Width: 7-1/2; Height: 4-5/16

Notes:

- Stiles 3", Rails 1-1/2" on drawers 6-11/16" H and under. The rails increase to 2" over 6-11/16" and are full width (3") over 9"H.
- **Edge profile is L-149. Valances will receive the same profile.**

Riverwalk

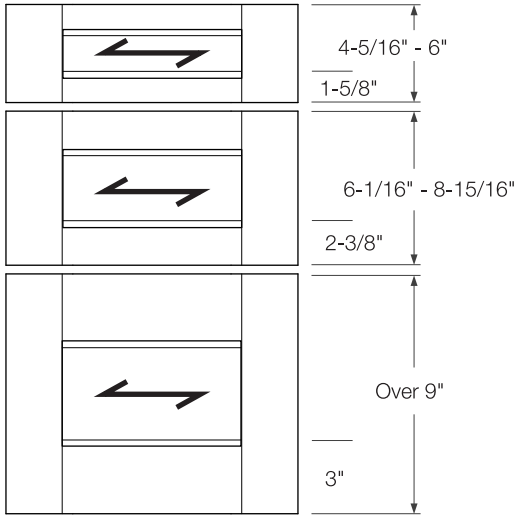


Price Group: C \$54  
 Drawer: Riverwalk Slab Drawer  
 Drawer Price: A N/C  
 Minimum: Width: 7-1/2; Height: 8-7/8  
 Options:  Frame only and MUL Available  
 MUL-A, MUL-AC and MUL-DIA Available

Notes:

- Can be reduced to 6-7/8" W with 2" stiles.
- See page 7.6 for Full Inset options.
- See page 7.2 for 3/8" Partial Inset lip options. B-lip will be standard.
- **Edge profile is L-149. Valances will receive the same profile.**

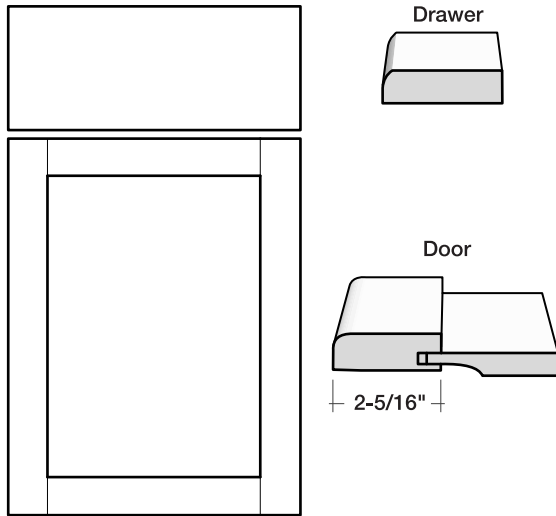
## Riverwalk Opt. 5pc Drawer



Drawer Price: C \$54  
 Minimum: Width: 7-1/2; Height: 4-5/16

Notes:  
 • Edge profile is L-149. Valances will receive the same profile.

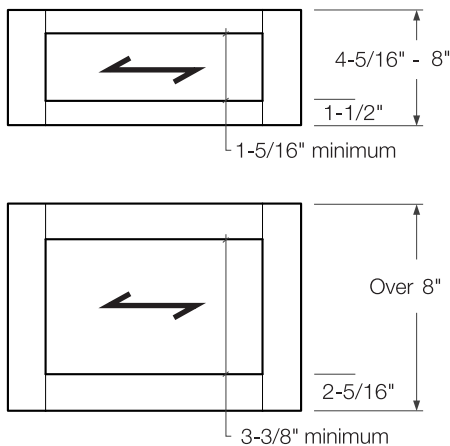
## Shaker



Price Group: A N/C  
 Drawer: Shaker Slab Drawer  
 Drawer Price: A N/C  
 Minimum: Width: 7-1/2; Height: 7-1/2  
 Options:  All Mullions and Frame only are available.  
 Notes:

- Standard with B-2 lip. Shaker-L149 also available, see page 7.48 for lip detail.
- See page 7.2 for 3/8" Partial Inset lip options. B-lip will be standard.
- See page 7.6 for Full Inset options.
- Can be reduced to 6-7/8" W with 2" stiles.
- Edge profile is B-2. Valances will receive the same profile.

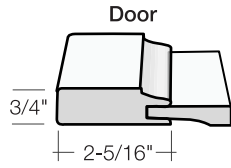
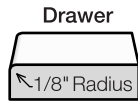
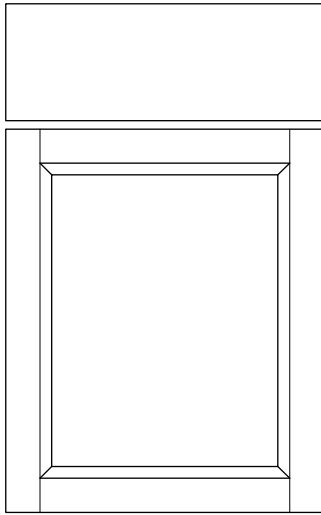
## Shaker Opt. 5pc Drawer



Drawer Price: B \$28  
 Minimum: Width: 7-1/2; Height: 4-5/16

Notes:  
 • Stiles 2-5/16", Rails 1-1/2" on drawers 8" H and under.  
 • Edge profile is B-2. Valances will receive the same profile.

Socialite

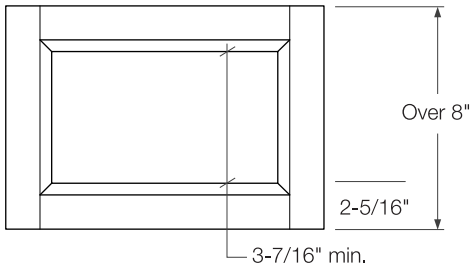
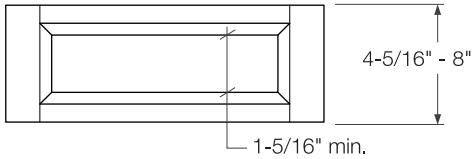


Price Group: A N/C  
 Drawer: Socialite Slab Drawer  
 Drawer Price: A N/C  
 Minimum: Width: 7-1/2; Height: 7-1/2  
 Options:  Frame only and MUL Available  
 MUL-A, MUL-AC and MUL-DIA Available

Notes:

- See page 7.6 for Full Inset options.
- Mullion bead will be Ogee.
- See page 7.2 for 3/8" Partial Inset lip options. B-lip will be standard.
- Can be reduced to 6-7/8" W with 2" stiles.
- **Edge profile is L-149. Valances will receive the same profile.**

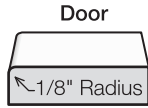
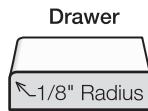
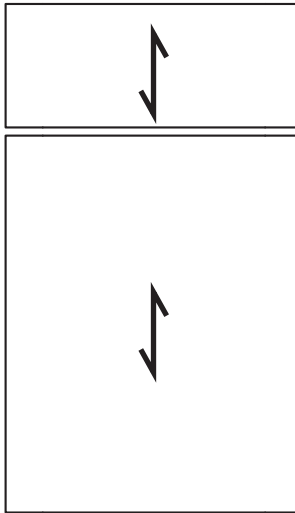
Socialite Opt. 5pc Drawer



Drawer Price: C \$54  
 Minimum: Width: 7-1/2; Height: 4-5/16

Notes:

- Stiles 2-5/16", Rails 1-1/2" on drawers 6" H and under.
- Drawers over 6 to 8" high will have 2" rails.
- **Edge profile is L-149. Valances will receive the same profile.**



Price Group: FO-N/C (\$49) See Notes.  
 Drawer: Modern Elegance Slab Drawer  
 Drawer Price: A N/C  
 Minimum: Width: 2-1/2; Height: 3  
 Options:  Frame Only is Available  
 Notes:

- Made with an MDF core wrapped with Thermofoil.
- Back routed hand pulls are not available.
- No Finish Upcharge to paint frame.
- Available in Full Overlay and Euro Full Overlay only.
- Available in 11 different foil colors. Color on the backs will vary. Face Frames and Finished Ends are painted. See the chart below for color availability and pairings.
- Gloss doors and drawer fronts cost \$86 each.
- Cleaner is available for gloss doors.
- Keep peel coat on until after installation is complete.
- Use Paint Grade (MDF door) material pricing found on page 6.3.
- Edge profile is L-149. Valances will receive the same profile.

Foil Color	Door/Drawer Price	Laminate Back	Frame and Finished End paint color
White Satin (RTF)	(\$49)	White Laminate	White Satin
White Gloss (RTF)	\$89	White Laminate	Snowflake
Oyster Bay (RTF)	(\$49)	White Laminate	Oyster Blend
Silt (RTF)	(\$49)	Silt Laminate	Silt
Gauntlet (RTF)	(\$49)	Gauntlet Laminate	Gauntlet
Umber (RTF)	(\$49)	Umber Laminate	Umber
Forge (RTF)	(\$49)	Forge Laminate	Forge
Moreno (RTF)	(\$49)	Black Laminate	Moreno
Fisherman's Wharf (RTF)	(\$49)	Umber Laminate	Umber
Kona (RTF)	(\$49)	Black Laminate	Kona Blend
Ebony Gloss (RTF)	\$89	Black Laminate	Ebony Satin Blend

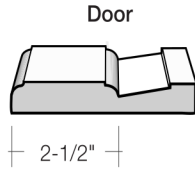
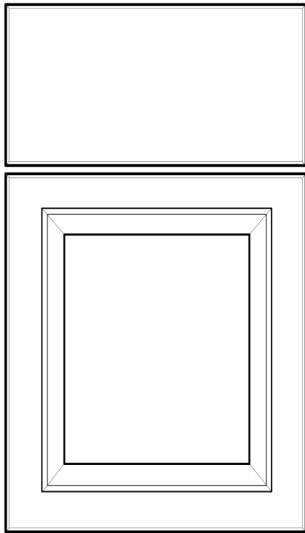
Ridgid Thermofoil, Laminate and Paint are all different materials and will therefore take on different appearances. Please see samples.

When mixing foil colors it is important to understand the various different foil, laminate, frame color textures and sheens.

### Pairings

	White Satin	White Gloss	Oyster Bay	Silt	Gauntlet	Umber	Forge	Moreno	Fisherman's Wharf	Kona	Ebony Gloss
White Satin			X	X	X	X	X				
White Gloss			X	X	X	X	X		X	X	X
Oyster Bay	X	X		X	X	X	X		X	X	X
Silt	X	X	X							X	
Gauntlet	X	X	X						X	X	
Umber	X	X	X						X	X	
Forge	X	X	X						X	X	
Moreno											X
Fisherman's Wharf		X	X		X	X	X				
Kona		X	X	X	X	X	X				
Ebony Gloss		X	X					X			

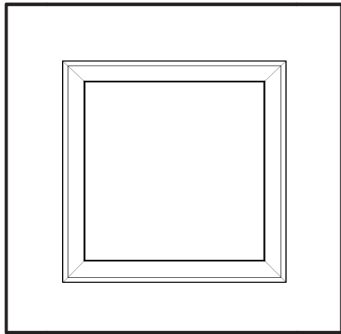
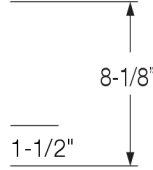
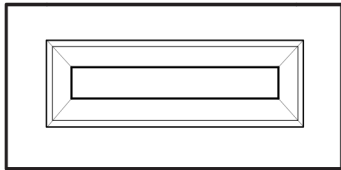
**Jefferson**



Price Group: B- (\$28) Deduct Door  
 Drawer: Jefferson Slab Drawer  
 Drawer Price: A N/C  
 Minimum: Width: 8-1/8; Height: 8-1/8  
 Options:  Frame only and MUL Available  
 Notes:

- Made with an MDF core wrapped with Thermofoil.
- Back routed hand pulls are not available.
- Available in White Satin, Silt, Gauntlet, Umber and Forge. No finish premiums are applied.
- Available in 1/2" Overlay, Full Overlay and Euro Full Overlay only.
- Use Paint Grade (MDF door) material pricing found on page 6.3.
- **Edge profile is PRS-2. Valances will receive the same profile.**

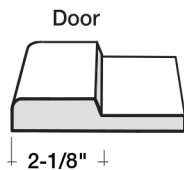
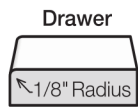
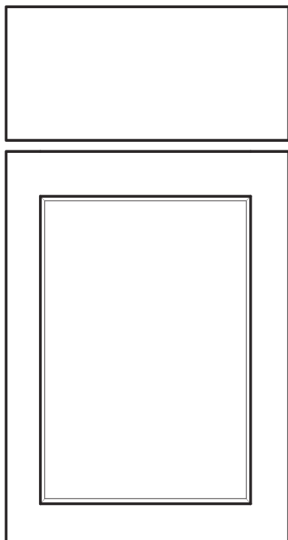
**Jefferson Opt. 5pc Drawer**



Drawer Price: B \$28  
 Minimum: Width: 8-1/8; Height: 5-7/8  
 Notes:

- Made with an MDF core wrapped with Thermofoil.
- Available in White Satin, Silt, Gauntlet, Umber and Forge. No finish premiums are applied.
- **Edge profile is PRS-2. Valances will receive the same profile.**

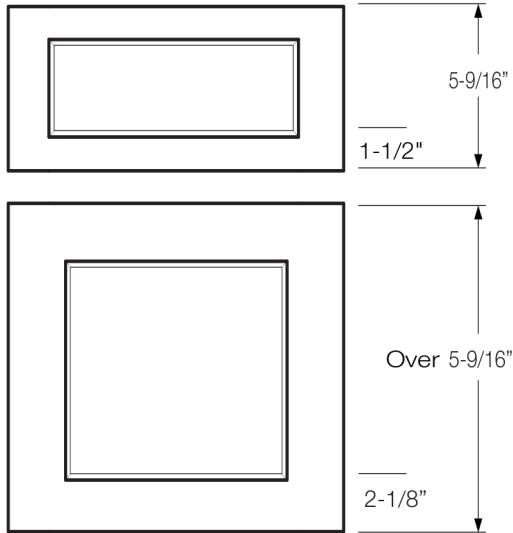
**Lenox**



Price Group: B- (\$28) Deduct Door  
 Drawer: Lenox Slab Drawer  
 Drawer Price: A N/C  
 Minimum: Width: 5-3/8; Height: 5-3/8  
 Options:  Frame only and MUL Available  
 Notes:

- Made with an MDF core wrapped with Thermofoil.
- Back routed hand pulls are not available.
- Available in White Satin, Silt, Gauntlet, Umber and Forge. No finish premiums are applied.
- Use Paint Grade (MDF door) material pricing found on page 6.3.
- Available in 1/2" Overlay, Full Overlay and Euro Full Overlay only.
- **Edge profile is L-149. Valances will receive the same profile.**

# Lenox Opt. 5pc Drawer



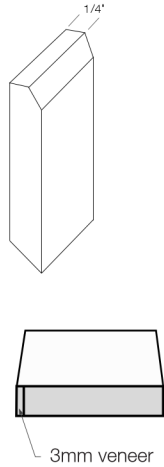
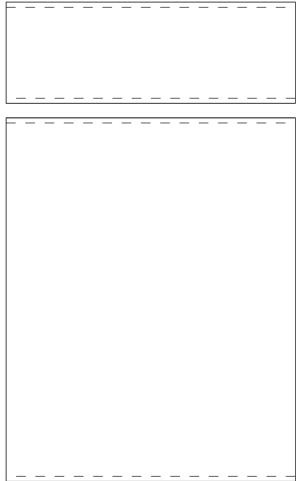
Drawer Price: B \$28

Minimum: Width: 5-3/8; Height: 4-5/16

### Notes:

- Made with an MDF core wrapped with Thermofoil.
- Available in White Satin, Silt, Gauntlet, Umber and Forge. No finish premiums are applied.
- **Edge profile is L-149. Valances will receive the same profile.**

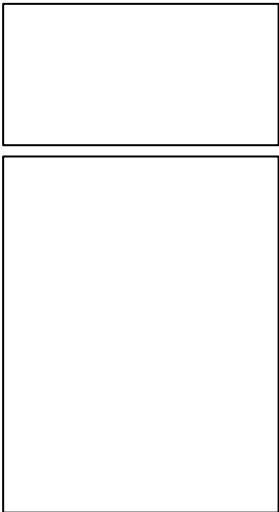
## Contempo Paint



Price Group: B \$28  
 Drawer: Contempo Slab Drawer  
 Drawer Price: B \$28  
 Minimum: Width: 4-1/2; Height: 4-1/2  
 Options:  Frame Only is Available  
 Notes:

- Available in Contempo Euro Full Overlay only. See page 7.5 for reveal information.
- Available only as an MDF door. Use Paint Grade (MDF door) material pricing found on page 6.3. Available in solid paints only.
- Top and bottom of the doors and drawer fronts are back beveled at a 22-1/2 degree angle.
- **Edge profile is L-1160. Valances will receive an L-149.**

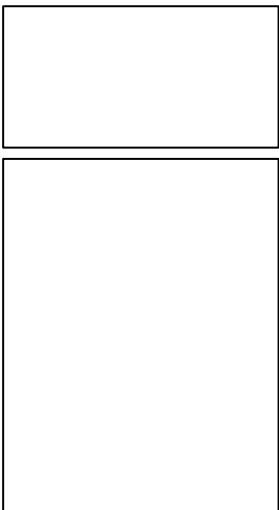
## Serenity



Price Group: B \$28  
 Drawer: Serenity Slab Drawer  
 Drawer Price: A N/C  
 Minimum: Width: 6; Height: 7-1/2  
 Notes:

- See page 7.2 for 3/8" Partial Inset lip options. B-lip will be standard.
- Solid Lumber door.
- Horizontal battens are on the back of the door.
- Mullions/Frame only; Shaker-L149 door will be substituted unless specified.
- It is important to use year round climate control with this door style. A relative humidity level of 40-50% is necessary to maintain door gaps. Butt doors are not available on cabinets over 36" wide.
- Available in 1/2" Overlay, 3/8" Knife and Full Overlay. Please see the Harmony door for Euro Full Overlay designs.
- **Edge profile is L-149. Valances will receive the same profile.**

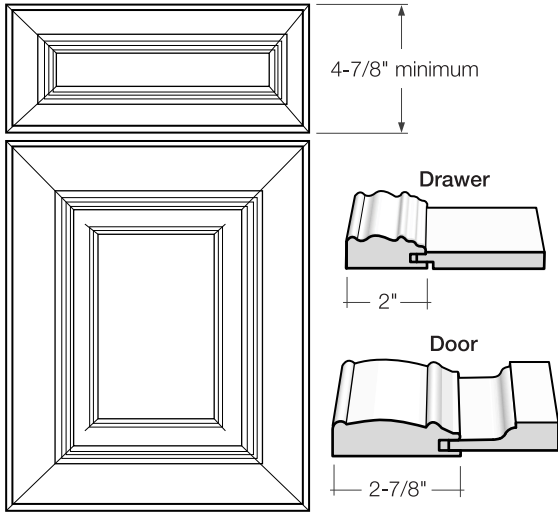
## Serenity-MDF



Price Group: B- (\$28) Deduct Door  
 Drawer: Serenity Slab Drawer  
 Drawer Price: A N/C  
 Minimum: Width: 6; Height: 7-1/2  
 Notes:

- There are no battens on the back of the door.
- Available only as an MDF door. Use Paint Grade (MDF door) material pricing found on page 6.3. Available in solid paints only.
- Mullions/Frame only; Shaker-L149 door will be substituted unless specified.
- **Edge profile is L-149. Valances will receive the same profile.**

## Canterbury

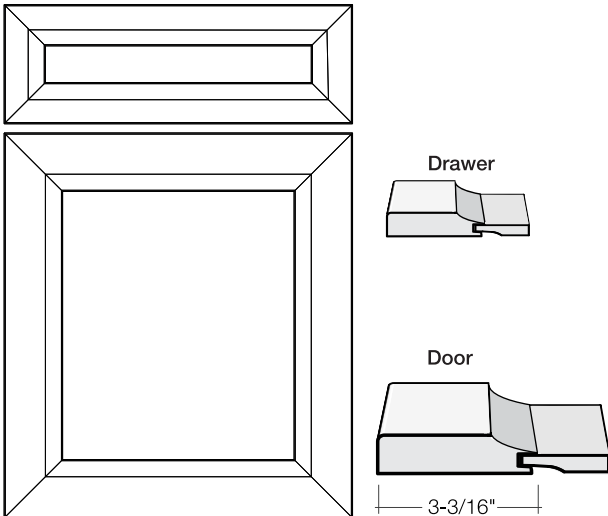


Price Group: C \$54  
 Drawer: Canterbury 5pc Drawer  
 Drawer Price: C \$54  
 Minimum: Width: 8-5/8; Height: 8-5/8  
 Options:  Frame only and MUL Available  
 MUL-A, MUL-AC and MUL-DIA Available

Notes:

- Not available in Quarter-sawn White Oak.
- Arch and QC mullions available upon quote and drawing approval.
- Available in 1/2" Overlay, Full Overlay and Euro Full Overlay only.
- Not available in painted finishes. May be available in 5pc MDF shortly.
- **Valances will receive an eased edge (1/8" radius).**

## Paragon

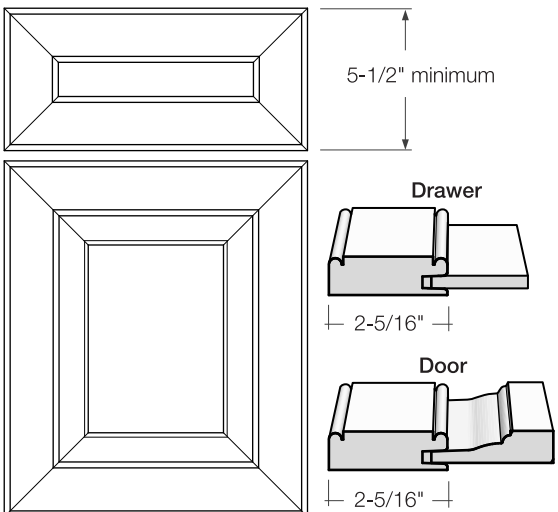


Price Group: C \$54  
 Drawer: Paragon 5pc Drawer  
 Drawer Price: C \$54  
 Minimum: Width: 9-1/8; Height: 9-1/8  
 Options:  Frame only and MUL Available  
 MUL-A, MUL-AC and MUL-DIA Available

Notes:

- Not available in Rustic Grade.
- Available in 1/2" Overlay, Full Overlay and Euro Full Overlay only.
- Not available in painted finishes. May be available in 5pc MDF shortly.
- **Edge profile is L-149. Valances will receive the same profile.**

## Looking Glass



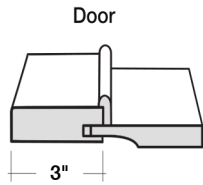
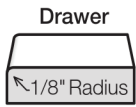
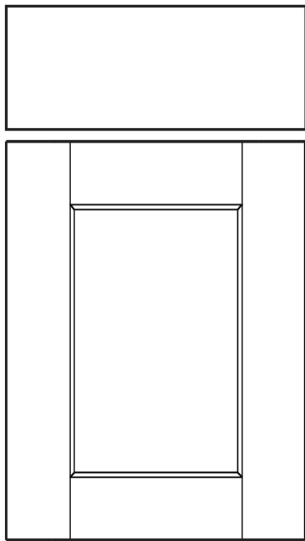
Price Group: C \$54  
 Drawer: Looking Glass 5pc Drawer  
 Drawer Price: C \$54  
 Minimum: Width: 7-1/2; Height: 7-1/2  
 Options:  Frame only and MUL Available  
 MUL-A, MUL-AC and MUL-DIA Available

Notes:

- Not available in Quarter-sawn White Oak or Rustic wood species.
- Drawer front flat panel, panel raise available with larger drawer. Please specify when ordering and add \$34.
- Not available in painted finishes. May be available in 5pc MDF shortly.
- Available in 1/2" Overlay, Full Overlay and Euro Full Overlay only.



**Essex**



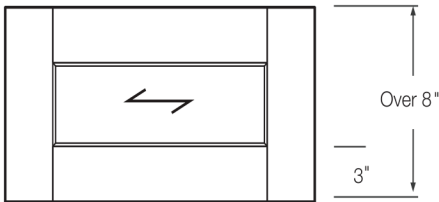
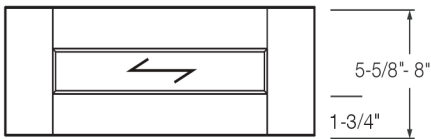
Price Group: D \$82  
 Drawer: Wayland Slab Drawer  
 Drawer Price: A N/C  
 Minimum: Width: 7; Height: 7  
 Options:  Frame only and MUL Available  
 MUL-A, MUL-AC and MUL-DIA Available



Notes:

- Edge profile is L-149. Valances will receive the same profile.
- See page 7.2 for 3/8" Partial Inset lip options. B-lip will be standard.
- See page 7.6 for Full Inset options.

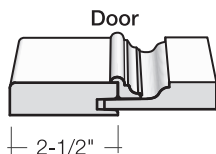
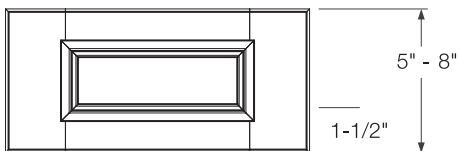
**Essex 9pc Drawer**



Drawer Price: D \$82  
 Minimum: Width: 7; Height: 4  
 Notes:

- Edge profile is L-149. Valances will receive the same profile.

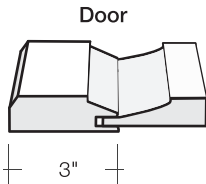
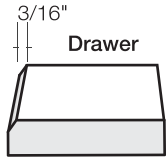
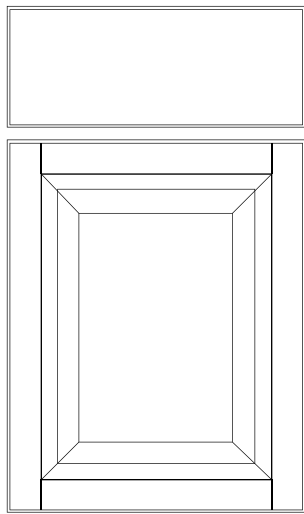
**Light House**



Price Group: D \$82  
 Drawer: Lighthouse 9pc Drawer  
 Drawer Price: D \$82  
 Minimum: Width: 7; Height: 6-3/4  
 Options:  Frame only and MUL Available  
 MUL-A, MUL-AC and MUL-DIA Available

Notes:

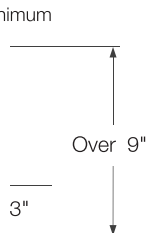
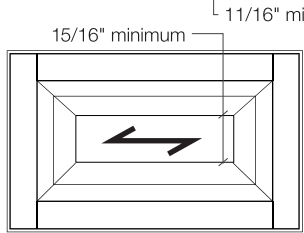
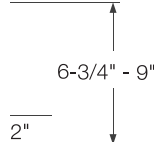
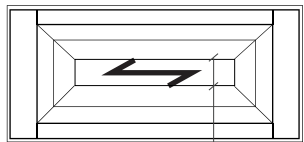
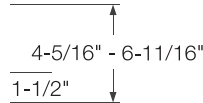
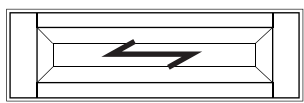
- Drawers over 8" H will receive 2.5" rails and a raised panel.
- See page 7.2 for 3/8" Partial Inset lip options. B-lip will be standard.
- See page 7.6 for Full Inset options.
- Slab drawer front is also available - specify Light House Slab Drw when ordering. The slab drawer is no charge.
- Edge profile is L-149. Valances will receive the same profile.



Price Group: C \$54  
 Drawer: Mericana Slab Drawer  
 Drawer Price: A N/C  
 Minimum: Width: 8-7/8; Height: 8-7/8  
 Options:  All Mullions and Frame only are available.  
 MUL-A, MUL-AC and MUL-DIA Available

Notes:  
 • See page 7.2 for 3/8" Partial Inset lip options. B-lip will be standard.  
 • See page 7.6 for Full Inset options. Special consideration for smaller cabinets.  
 • Can be reduced to 6-7/8"W with 2" stiles.  
 • **Edge profile is V-2. Valances will receive the same profile.**

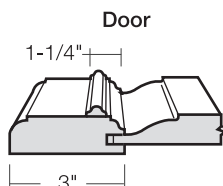
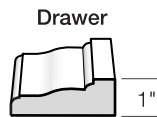
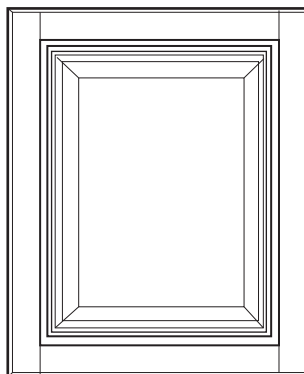
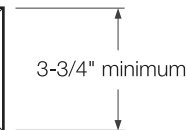
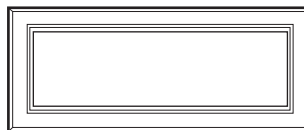
Mericana Opt. 5pc Drawer



Drawer Price: C \$54  
 Minimum: Width: 7-1/2; Height: 4-5/16

Notes:  
 • Stiles 3", Rails 1-1/2" on drawers 6-11/16" H and under. The rails increase to 2" over 6-11/16" and are full width (3") over 9"H.  
 • Drawer fronts 6-11/16 and under will have a flat center panel.  
 • **Edge profile is V-2. Valances will receive the same profile.**

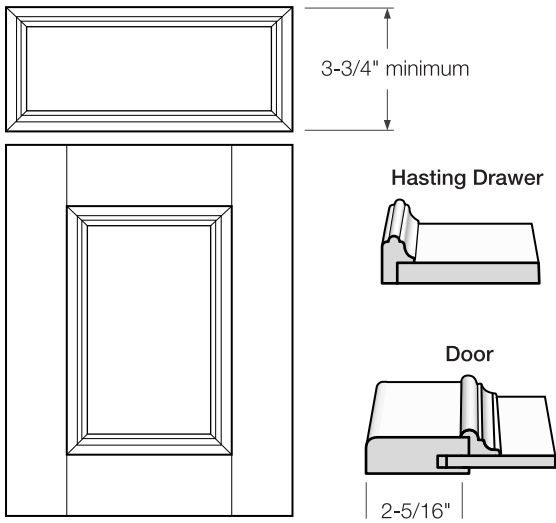
Opus



Price Group: F \$136  
 Drawer: Opus 1" Drawer  
 Drawer Price: A N/C  
 Minimum: Width: 8-7/8; Height: 8-7/8  
 Options:  Frame only and MUL Available  
 MUL-A, MUL-AC and MUL-DIA Available

Notes:  
 • See page 7.2 for 3/8" Partial Inset lip options. PRS-lip will be standard.  
 • See page 7.6 for Full Inset options.  
 • **Edge profile is PRS-2. Valances will receive the same profile.**

## Plymouth

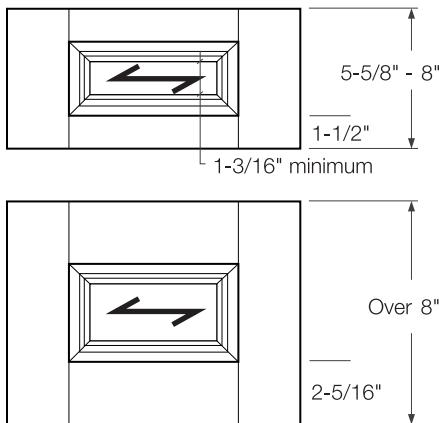


Price Group: C \$54  
 Drawer: Plymouth Hastings Drawer  
 Drawer Price: C \$54  
 Minimum: Width: 7-1/4; Height: 7-1/4  
 Options:  Frame only and MUL Available  
 MUL-A, MUL-AC and MUL-DIA Available

**Notes:**

- This door is not available in rustic grade or heirloom finish, please consider the Carriage door as an alternative.
- Slab drawer front is also available - specify Plymouth Slab Drw when ordering. The slab drawer is no charge.
- **This door is commonly displayed as inset. Be sure to add for appropriate hinge charges. See page 7.6 for Full Inset options.**
- Hasting drawer front will be used for Full Inset and Beaded Frame Inset.
- Stained orders could have a variation of color on the 1/4" Veneer panel. See Carriage door style for stained orders.
- **Edge profile is L-149. Valances will receive the same profile.**

## Plymouth 9pc Drawer

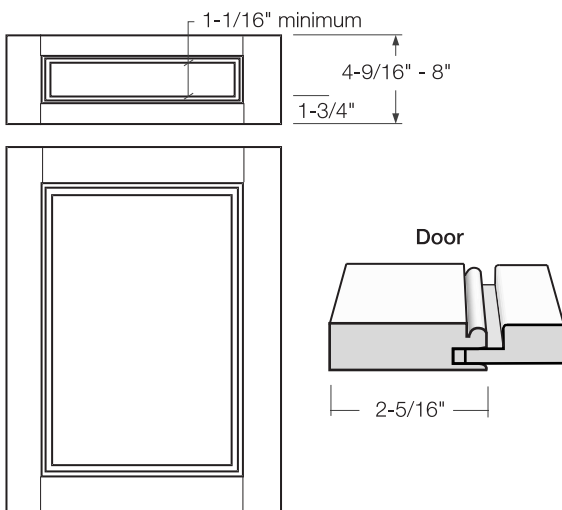


Drawer Price: D \$82  
 Minimum: Width: 7-1/4; Height: 5-5/8

**Notes:**

- 1/4" Veneered center panel.
- 9-Piece drawer will be used for 3/8" partial, 1/2", Full Overlay and Euro Full Overlay orders.
- Drawers over 8" H will receive 2-5/16" rails.
- The optional drawer front is not available in rustic grade or heirloom finish, please consider the Carriage door.
- **Edge profile is L-149. Valances will receive the same profile.**

## Richmond

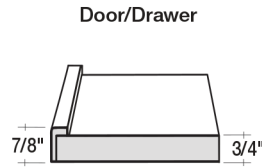
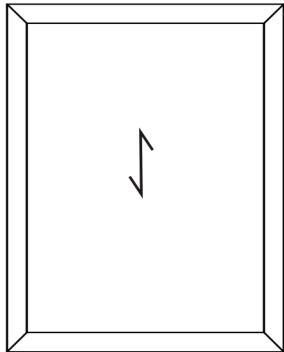
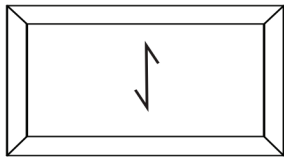


Price Group: C \$54  
 Drawer: Richmond 5pc Drawer  
 Drawer Price: C \$54  
 Minimum: Width: 7-1/2; Height: 7-1/2  
 Options:  Frame only and MUL Available  
 MUL-A, MUL-AC and MUL-DIA Available

**Notes:**

- See page 7.2 for 3/8" Partial Inset lip options. B-lip will be standard.
- See page 7.6 for Full Inset options.
- Drawers over 8" H will receive 2-5/16" rails.
- Slab drawer front is also available - specify Richmond Slab Drw when ordering. The slab drawer is no charge.
- **Edge profile is L-149. Valances will receive the same profile.**

## Showcase



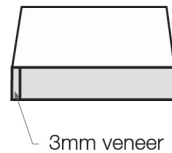
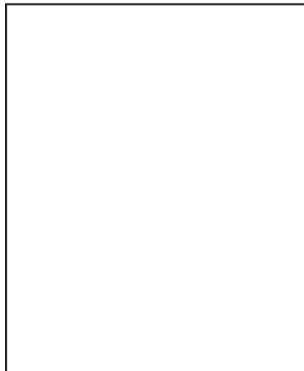
Price Group: D \$82  
 Drawer: Showcase Drawer  
 Drawer Price: D \$82  
 Minimum: Width: 6; Height: 6  
 Options:  Frame Only is Available



### Notes:

- Offered in Full Overlay and Euro Full Overlay only. Remember to add for hinge charge.
- Not available distressed or with sandoff.
- Standard Species - Quartered Cherry, Quartered Maple, Rift Cut Red Oak and Rift Cut White Oak.
- Cabinet Frames and finished ends are plain sliced and do not match the grain pattern of the doors. **A sample door is recommended.**
- See page 14.28 for Veneer Molding Options.
- **Valances will receive an eased edge (1/8" radius).**

## Harmony

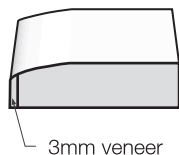
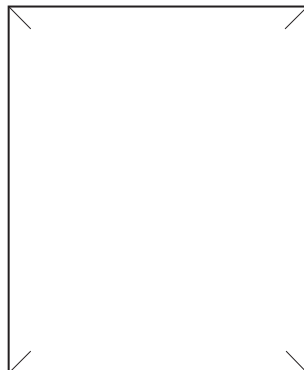
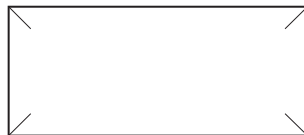


Price Group: B \$28  
 Drawer: Harmony Slab Drawer  
 Drawer Price: A N/C  
 Minimum: Width: 6; Height: 6  
 Options:  Frame only and MUL Available

### Notes:

- Offered in Full Overlay and Euro Full Overlay only. Remember to add for hinge charge.
- Not available distressed or with sandoff.
- Standard Species - Quartered Cherry, Quartered Maple, Rift Cut Red Oak and Rift Cut White Oak.
- Cabinet Frames and finished ends are plain sliced and do not match the grain pattern of the doors. **A sample door is recommended.**
- See page 14.28 for Veneer Molding Options.
- Grain direction is vertical however the grain does not match. Grain Match is available on a quote basis.
- **Valances will receive an eased edge (1/8" radius).**

## Stockholm

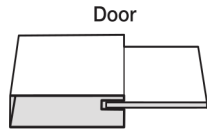
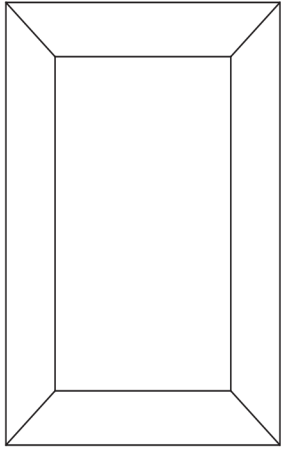


Price Group: C \$54  
 Drawer: Stockholm Slab Drawer  
 Drawer Price: A N/C  
 Minimum: Width: 6; Height: 6  
 Options:  Frame only and MUL Available

### Notes:

- Grain direction is vertical however the grain does not match.
- **Offered in Full Overlay and Euro Full Overlay only. Remember to add for hinge charge.**
- Not available distressed or with sandoff.
- Standard Species - Quartered Cherry, Quartered Maple, Rift Cut Red Oak and Rift Cut White Oak.
- Cabinet Frames and finished ends are plain sliced and do not match the grain pattern of the doors.
- See page 14.28 for Veneer Molding Options.
- **Valances will receive an eased edge (1/8" radius).**

**Brighton Aluminum**



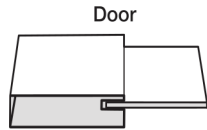
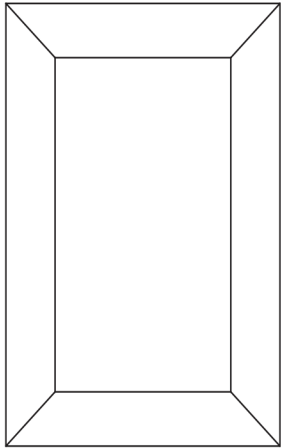
Price Group: X \$1.02/Sq. inch of face frame  
 Drawer: Not Applicable  
 Drawer Price: A N/C  
 Minimum: Width: 6; Height: 6



**Notes:**

- Price Example, W1230L: 12 x 30 = 360 sq in. 360 x \$1.18 = \$367.20
- Door frame is Natural Aluminum.
- Center is glass in either clear or frosted. Clear will be provided if not specified.

**Brighton Stainless**



Price Group: XX \$1.18/Sq. inch of face frame  
 Drawer: Not Applicable  
 Drawer Price: A N/C  
 Minimum: Width: 6; Height: 6



**Notes:**

- Door frame is Aluminum with a brushed stainless finish.
- Center is glass in either clear or frosted. Clear will be provided if not specified.
- Price Example, W1230L: 12 x 30 = 360 sq in. 360 x \$1.18 = \$424.80

# *Ordering Custom Doors*

See "Custom Door Form" in "Forms" section Pg. 4.6

## Design

In the space provided, enter the door design and drawer front design on the custom door order form.

## Design Options

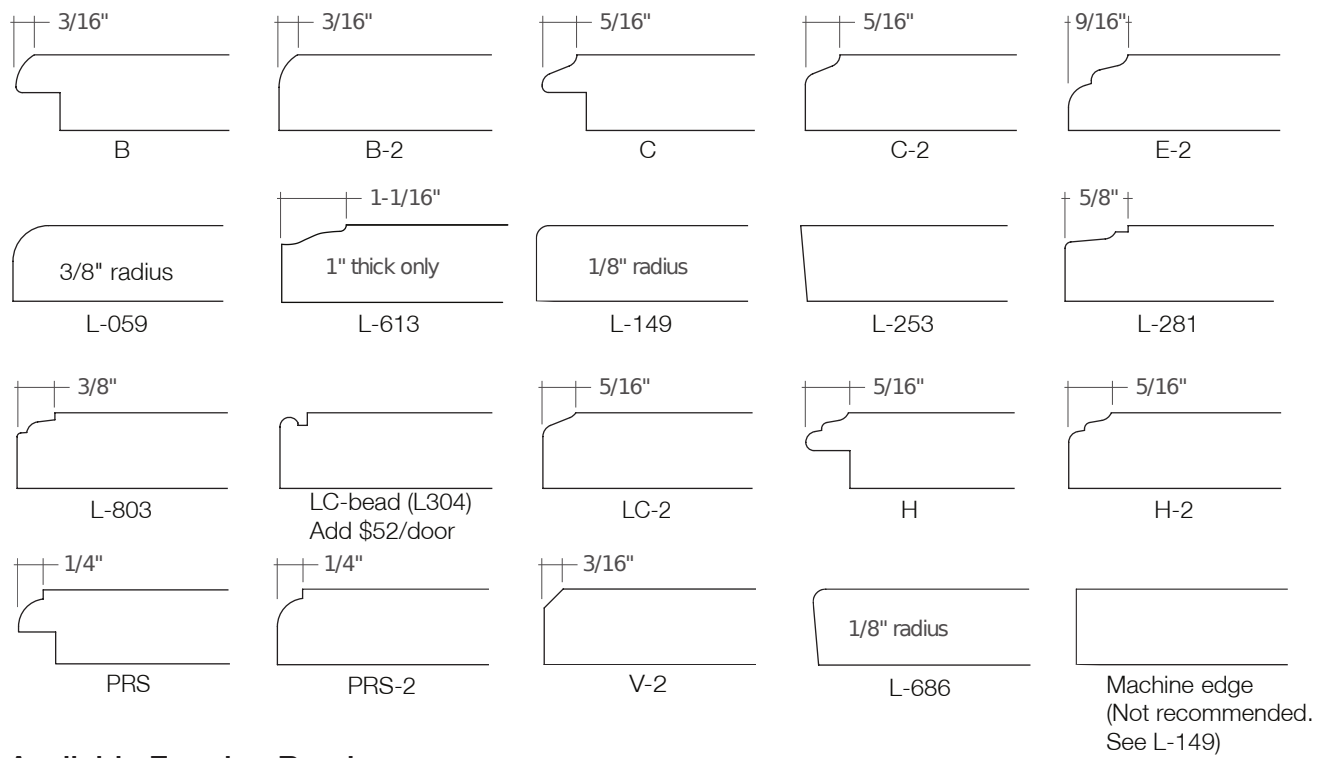
See the Design Options of the door section for available raises, edge profiles, and framing beads.

- Edge Profile - Enter the edge profile in the space provided chosen from the Design Options page. Please note that the LC-bead edge profile has an additional \$52 upcharge and may extend the lead-time.
- Panel Raise - Enter the panel raise in the space provided chosen from the Design Options page. If you want to change this to a flat panel, you may want to change it to a Reverse G-Cove.
- Framing Bead - Enter the framing bead in the space provided chosen from the Design Options page.

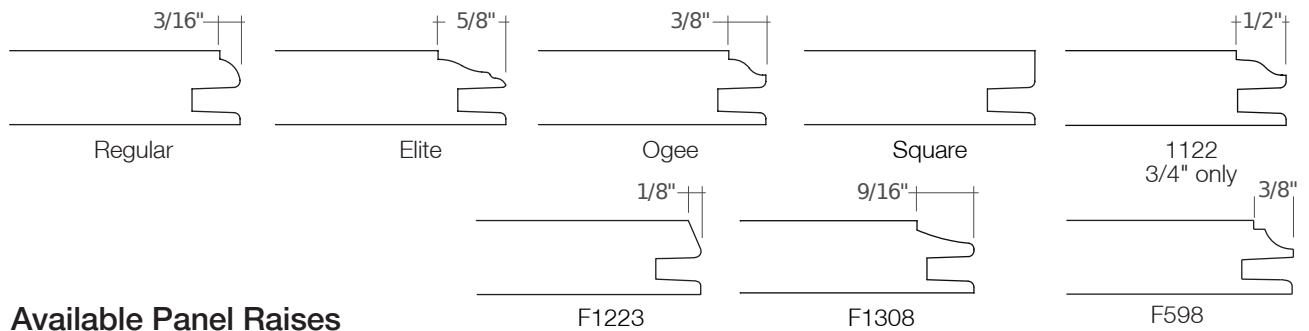
For pricing a custom door, start with the original door design and add \$27 list for changing the edge profile (with the exception of the LC-Inset, which is a \$52 upcharge), panel raise and/or framing bead. If you are changing the size of the stiles and rails, add another \$27 list.

Note: There is a 2" minimum on the stiles and rails to allow for hinging. Mortise and Tenon doors are easier to modify, as Mitered doors have many limitations. Please check availability before modifying Mitered doors.

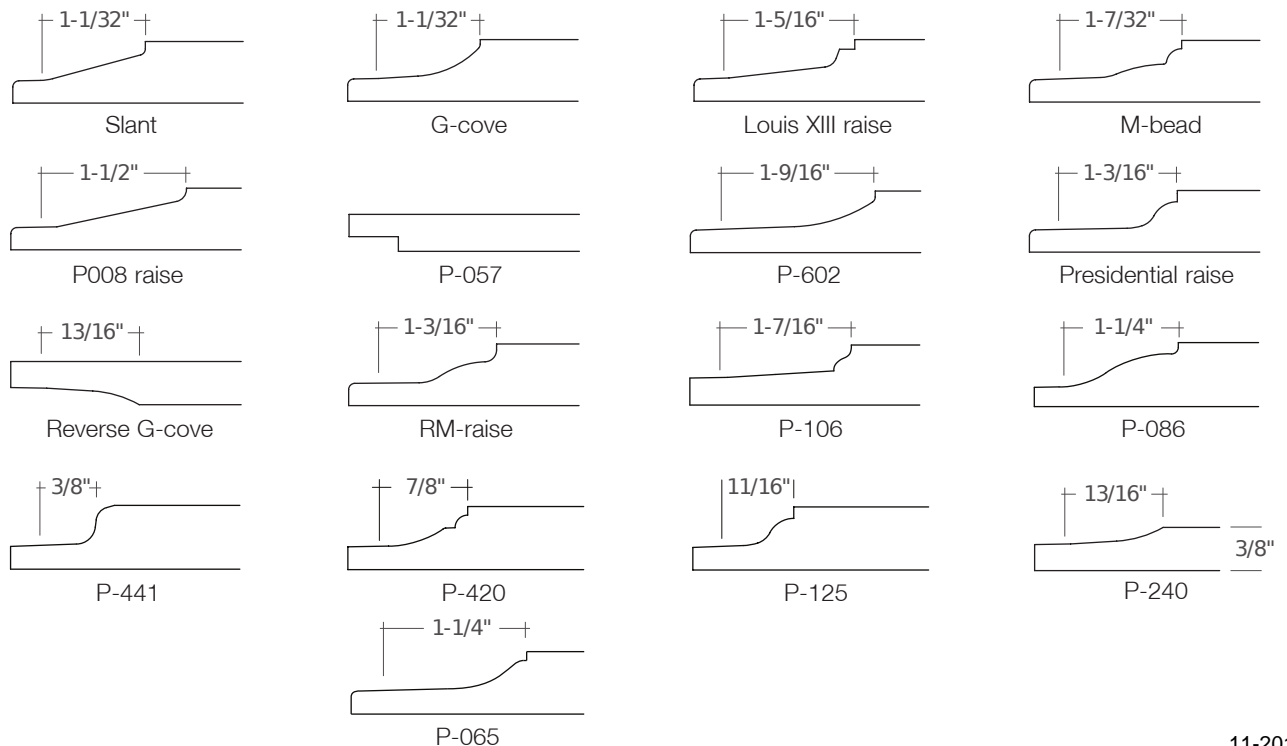
## Available Edge Profiles



## Available Framing Beads

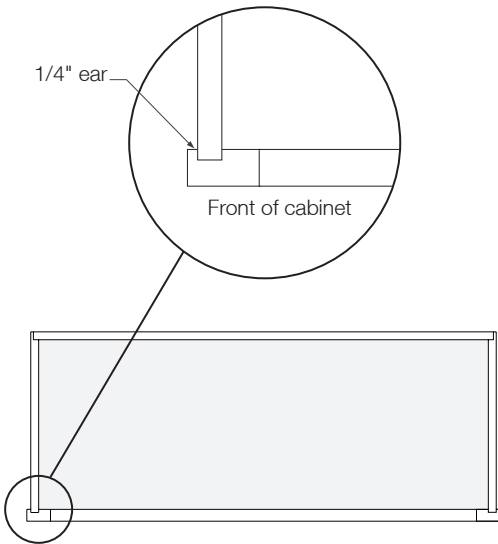
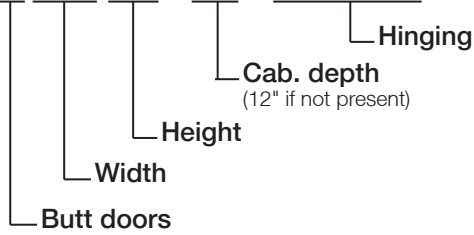


## Available Panel Raises

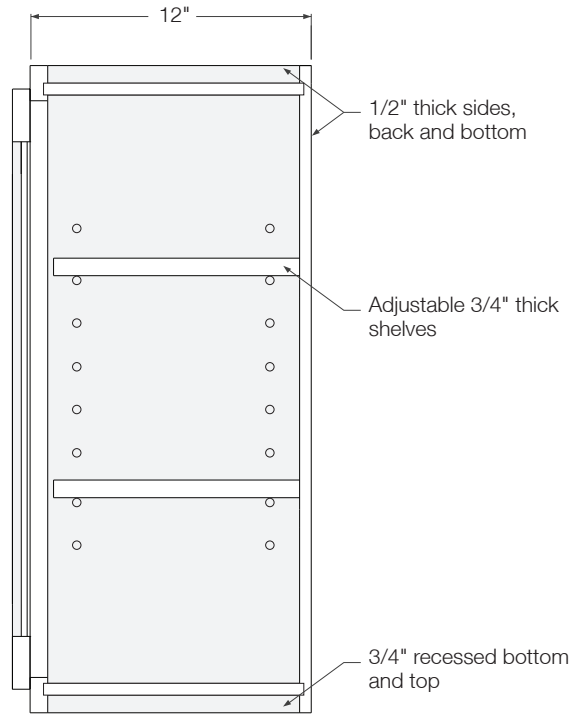


Nomenclature

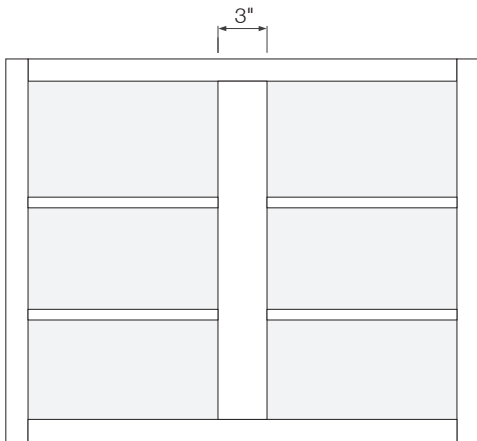
**WBXXYY.24 L or R**



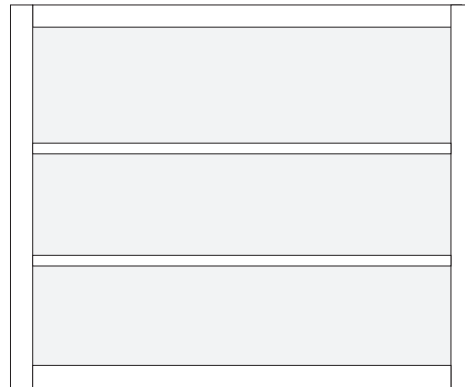
Top view of W3030



Side sectional elevation of W3030



Front of W3030 shown without doors.  
3" center stile.  
All other framing: 1-1/2"



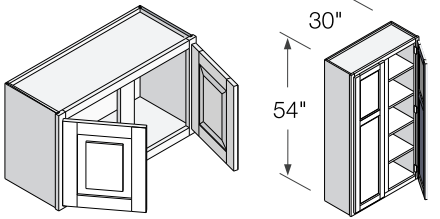
Front of WB3030 shown without doors.  
1/8" space between doors



12" Deep Wall	W	8.1	Wall Microwave w/Shelf	WMS	8.20
24" Deep Wall	W	8.4	Wall Open Shelf	WOS	8.21
Appliance Garage	AG	8.29	Wall Outside Angle 135	WOA	8.12
Appliance Garage Diagonal	AGD	8.30	Wall Pigeon Hole Cubbies	WPHC	8.17
Clipped Wall End Box	CWEB	8.26	Wall Pigeon Hole Drawers	WPHD	8.17
Designer WEP Mortise & Tenon	DWEP	8.25	Wall Pigeon Hole Organizer	WPH	8.18
Designer Wall End Panel Frame	DWEPF	8.26	Wall Pigeon Hole Vertical	WVPH	8.19
Designer Wall End Panel Skin	DWEPS	8.25	Wall Plate Rack	WPR	8.19
Drawer Unit	DU	8.29	Wall Pullout Spice Unit	WPSU	8.19
Drawer Unit Diagonal	DUD	8.30	Wall Single Drawer	WSD	8.15
Floating Shelves	FLS	8.31	Wall Spice Unit	WFSU	8.28
Peninsula Wall	PW	8.5	Wall X Wine Rack	WRX	8.20
Pigeon Hole Cubbies Unit	PHC	8.30	What Not Shelf	WNS	8.22
Pigeon Hole Organizer Unit	PH	8.30	What Not Shelf w/SQH	WNS	8.22
Stemglass Holder	SGH	8.29	Wine Shelf	WS	8.29
Tambour Unit 18-1/2	TU	8.29			
Tambour Unit Diagonal 18-1/2	TUD	8.30			
Tambour Wall	WT	8.14			
Transom Wall	TW	8.13			
Transom Wall Corner	TWC	8.11			
Transom Wall Diagonal	TWD	8.8			
Under Cabinet Dec. Bracket	UCDB	8.31			
Under Cabinet Shelf	UCS	8.29			
Wall + Wall End Diagonal 12	W	8.23			
Wall Angle 135	WAZ	8.12			
Wall Angle End	WAE	8.22			
Wall Angled Filler	WAF	8.28			
Wall Appliance Garage	WAG	8.14			
Wall Appliance Garage Diagonal	WAGD	8.9			
Wall Corner	WC	8.10			
Wall Corner Filler	WCF	8.28			
Wall Corner Post Loose	LWCP	8.30			
Wall Corner Post w/ Return	WCP	8.31			
Wall Diagonal	WD	8.7			
Wall Diagonal w/Drawer Unit	WDUD	8.10			
Wall Diagonal w/Lazy Susan	WD w/LS	8.8			
Wall Diagonal w/Single Drawer	WDSD	8.9			
Wall Diagonal w/Tambour	WTD	8.8			
Wall Drawer Unit	WDU	8.16			
Wall Easy Reach	WER	8.7			
Wall End Box	WEB	8.24			
Wall End Corner	WEC	8.23			
Wall End Diagonal	WED	8.22			
Wall End Panel	WEP	8.24			
Wall End Panel 3/4"	WWEP	8.24			
Wall Filler Decor' Overlay		8.27			
Wall Filler Overlay	WFO	8.27			
Wall Fillers	WF	8.27			
Wall Microwave	WMC	8.20			

12" Deep Wall

W



W3018 shown

W3054 shown

- WB designates that the doors will have butted doors. No B i.e., W3630 will have a 3" wide middle stile.
- Cabinets under 21" H will not include a shelf.
- Cabinets 21" and 24" H will have single shelf.
- Cabinets 27, 30, 33 and 36" H will have two shelves.
- Cabinets 39, 42 and 48" H will have three shelves.
- Cabinets 54" and 60" H will have 4 shelves.
- Mortise and Tenon door styles over 48" High will have double raised panels ( DRP) split 1/3 top and 2/3 bottom.

12" High	W0912L	W0912R	\$347
	W1212L	W1212R	\$363
	W1512L	W1512R	\$394
	W1812L	W1812R	\$416
	W2112L	W2112R	\$448
	W2412L	W2412R	\$482
		WB2412	\$609
		WB2712	\$611
	W3012	WB3012	\$625
	W3312	WB3312	\$640
	W3612	WB3612	\$659
	W3912	WB3912	\$691
	W4212	WB4212	\$720
	W4512	WB4512	\$747
W4812	WB4812	\$777	
14" High	W3014	WB3014	\$638
	W3314	WB3314	\$677
	W3614	WB3614	\$693
	W3914	WB3914	\$717

Wall Cabinets » Standard » 15" High continued...

15" High	W0915L	W0915R	\$357
	W1215L	W1215R	\$375
	W1515L	W1515R	\$405
	W1815L	W1815R	\$425
	W2115L	W2115R	\$461
	W2415L	W2415R	\$494
		WB2415	\$624
		WB2715	\$632
	W3015	WB3015	\$638
	W3315	WB3315	\$677
	W3615	WB3615	\$693
	W3915	WB3915	\$717
17" High	W4215	WB4215	\$743
	W4515	WB4515	\$774
	W4815	WB4815	\$802
	W3017	WB3017	\$700
17" High	W3317	WB3317	\$736
	W3617	WB3617	\$769
	W3917	WB3917	\$822
18" High	W0918L	W0918R	\$416
	W1218L	W1218R	\$437
	W1518L	W1518R	\$474
	W1818L	W1818R	\$497
	W2118L	W2118R	\$540
	W2418L	W2418R	\$579
		WB2418	\$655
		WB2718	\$677
	W3018	WB3018	\$700
	W3318	WB3318	\$736
	W3618	WB3618	\$769
	W3918	WB3918	\$822
	W4218	WB4218	\$844
	W4518	WB4518	\$864
W4818	WB4818	\$887	
20" High	W3020	WB3020	\$817
	W3320	WB3320	\$848
	W3620	WB3620	\$944
	W3920	WB3920	\$993

**? Did You Know?**  
 Last year, 64% of all orders placed were Paint Grade.

**? Did You Know?**  
 Retractable Doors (Pocket Doors) when added to a cabinet will yield a space 8-1/2" less in width than the overall width of the cabinet. ( 3" framing + 2" hardware space each side + 3/4 partitions each side = 8-1/2")

21" High	W0921L	W0921R	\$461
	W1221L	W1221R	\$484
	W1521L	W1521R	\$525
	W1821L	W1821R	\$553
	W2121L	W2121R	\$598
	W2421L	W2421R	\$642
		WB2421	\$725
		WB2721	\$741
	W3021	WB3021	\$844
	W3321	WB3321	\$891
	W3621	WB3621	\$908
	W3921	WB3921	\$934
	W4221		\$992
	W4521		\$1,003
W4821		\$1,043	
23" High	W3023	WB3023	\$844
	W3323	WB3323	\$891
	W3623	WB3623	\$908
	W3923	WB3923	\$934
24" High	W0924L	W0924R	\$461
	W1224L	W1224R	\$484
	W1524L	W1524R	\$525
	W1824L	W1824R	\$553
	W2124L	W2124R	\$598
	W2424L	W2424R	\$642
		WB2424	\$725
		WB2724	\$741
	W3024	WB3024	\$844
	W3324	WB3324	\$891
	W3624	WB3624	\$908
	W3924	WB3924	\$934
	W4224		\$992
	W4524		\$1,003
W4824		\$1,043	
26" High	W3026	WB3026	\$900
	W3326	WB3326	\$947
	W3626	WB3626	\$984
	W3926	WB3926	\$1,031

27" High	W0927L	W0927R	\$517
	W1227L	W1227R	\$539
	W1527L	W1527R	\$581
	W1827L	W1827R	\$619
	W2127L	W2127R	\$661
	W2427L	W2427R	\$732
		WB2427	\$858
		WB2727	\$881
	W3027	WB3027	\$900
	W3327	WB3327	\$947
	W3627	WB3627	\$984
	W3927	WB3927	\$1,031
	W4227		\$1,076
	W4527		\$1,126
W4827		\$1,167	
30" High	W0930L <sup>1</sup>	W0930R <sup>1</sup>	\$517
	W1230L	W1230R	\$539
	W1530L	W1530R	\$581
	W1830L	W1830R	\$619
	W2130L	W2130R	\$661
	W2430L	W2430R	\$732
		WB2430	\$858
		WB2730	\$881
	W3030	WB3030	\$900
	W3330	WB3330	\$947
	W3630	WB3630	\$984
	W3930	WB3930	\$1,031
	W4230		\$1,076
	W4530		\$1,126
W4830		\$1,167	
33" High	W0933L <sup>1</sup>	W0933R	\$666
	W1233L	W1233R	\$678
	W1533L	W1533R	\$725
	W1833L	W1833R	\$776
	W2133L	W2133R	\$831
	W2433L	W2433R	\$904
		WB2433	\$1,065
		WB2733	\$1,090
	W3033	WB3033	\$1,124
	W3333	WB3333	\$1,124
	W3633	WB3633	\$1,187
	W3933	WB3933	\$1,327
	W4233		\$1,348
	W4533		\$1,403
W4833		\$1,442	

**? Did You Know?**  
 Last Year, 67% of incoming orders were full overlay.

<sup>1</sup> Square doors only

Wall Cabinets » Standard » 36" High continued...

36" High	W0936L <sup>1</sup>	W0936R <sup>1</sup>	\$666
	W1236L	W1236R	\$678
	W1536L	W1536R	\$725
	W1836L	W1836R	\$776
	W2136L	W2136R	\$831
	W2436L	W2436R	\$904
		WB2436	\$1,065
		WB2736	\$1,090
	W3036	WB3036	\$1,124
	W3336	WB3336	\$1,163
	W3636	WB3636	\$1,187
	W3936	WB3936	\$1,327
	W4236		\$1,348
	W4536		\$1,403
W4836		\$1,442	
39" High	W0939L <sup>1</sup>	W0939R	\$701
	W1239L	W1239R	\$712
	W1539L	W1539R	\$775
	W1839L	W1839R	\$816
	W2139L	W2139R	\$870
	W2439L	W2439R	\$947
		WB2439	\$1,117
		WB2739	\$1,146
	W3039	WB3039	\$1,177
	W3339	WB3339	\$1,246
	W3639	WB3639	\$1,295
	W3939	WB3939	\$1,412
	W4239		\$1,557
	W4539		\$1,691
W4839		\$1,855	
42" High	W0942L <sup>1</sup>	W0942R <sup>1</sup>	\$701
	W1242L	W1242R	\$712
	W1542L	W1542R	\$775
	W1842L	W1842R	\$816
	W2142L	W2142R	\$870
	W2442L	W2442R	\$947
		WB2442	\$1,117
		WB2742	\$1,146
	W3042	WB3042	\$1,177
	W3342	WB3342	\$1,246
	W3642	WB3642	\$1,295
	W3942	WB3942	\$1,412
	W4242		\$1,557
	W4542		\$1,691
W4842		\$1,855	

Wall Cabinets » Standard » 48" High continued...

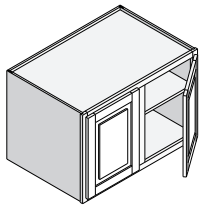
48" High	W0948L <sup>1</sup>	W0948R <sup>1</sup>	\$787
	W1248L	W1248R	\$799
	W1548L	W1548R	\$860
	W1848L	W1848R	\$903
	W2148L	W2148R	\$957
	W2448L	W2448R	\$1,034
		WB2448	\$1,289
		WB2748	\$1,317
	W3048	WB3048	\$1,291
	W3348	WB3348	\$1,417
	W3648	WB3648	\$1,484
	W3948	WB3948	\$1,584
	W4248		\$1,729
	W4548		\$1,862
W4848		\$2,025	
51" High	W0951L	W0951R	\$918
	W1251L	W1251R	\$933
	W1551L	W1551R	\$975
	W1851L	W1851R	\$1,037
	W2151L	W2151R	\$1,092
	W2451L	W2451R	\$1,169
		WB2451	\$1,417
		WB2751	\$1,478
	W3051	WB3051	\$1,546
	W3351	WB3351	\$1,685
	W3651	WB3651	\$1,743
	W3951	WB3951	\$1,843
	W4251		\$1,991
	W4551		\$2,126
W4851		\$2,291	
54" High	W0954L <sup>1</sup>	W0954R <sup>1</sup>	\$1,051
	W1254L	W1254R	\$1,065
	W1554L	W1554R	\$1,091
	W1854L	W1854R	\$1,170
	W2154L	W2154R	\$1,225
	W2454L	W2454R	\$1,304
		WB2454	\$1,543
		WB2754	\$1,673
	W3054	WB3054	\$1,801
	W3354	WB3354	\$1,931
	W3654	WB3654	\$2,002
	W3954	WB3954	\$2,102
	W4254		\$2,252
	W4554		\$2,389
W4854		\$2,556	

<sup>1</sup> Square doors only

60" High	W0960L <sup>1</sup>	W0960R <sup>1</sup>	\$1,228
	W1260L	W1260R	\$1,242
	W1560L	W1560R	\$1,268
	W1860L	W1860R	\$1,348
	W2160L	W2160R	\$1,403
	W2460L	W2460R	\$1,480
		WB2460	\$1,893
		WB2760	\$2,023
	W3060	WB3060	\$2,155
	W3360	WB3360	\$2,285
	W3660	WB3660	\$2,356
	W3960	WB3960	\$2,454
	W4260		\$2,603
	W4560		\$2,742
	W4860		\$2,909

24" Deep Wall

W



W3018.24 shown

- 24" deep walls include a full depth shelf starting at 21" high.

12" High	W3012.24	WB3012.24	\$760
	W3312.24	WB3312.24	\$782
	W3412.24	WB3412.24	\$825
	W3612.24	WB3612.24	\$825
	W3712.24	WB3712.24	\$861
	W3912.24	WB3912.24	\$861
	W4212.24	WB4212.24	\$893
	W4512.24	WB4512.24	\$923
W4812.24	WB4812.24	\$954	
14" High	W3014.24	WB3014.24	\$795
	W3314.24	WB3314.24	\$846
	W3414.24	WB3414.24	\$864
	W3614.24	WB3614.24	\$864
	W3714.24	WB3714.24	\$897
	W3914.24	WB3914.24	\$897



Did You Know?

The Euro FO option uses a frameless hinge on a notched face frame.

15" High	W3015.24	WB3015.24	\$795
	W3315.24	WB3315.24	\$846
	W3415.24	WB3415.24	\$864
	W3615.24	WB3615.24	\$864
	W3715.24	WB3715.24	\$897
	W3915.24	WB3915.24	\$897
	W4215.24	WB4215.24	\$922
	W4515.24	WB4515.24	\$953
W4815.24	WB4815.24	\$984	
17" High	W3017.24	WB3017.24	\$876
	W3317.24	WB3317.24	\$916
	W3417.24	WB3417.24	\$959
	W3617.24	WB3617.24	\$959
	W3717.24	WB3717.24	\$1,026
	W3917.24	WB3917.24	\$1,026
18" High	W3018.24	WB3018.24	\$876
	W3318.24	WB3318.24	\$916
	W3418.24	WB3418.24	\$959
	W3618.24	WB3618.24	\$959
	W3718.24	WB3718.24	\$1,026
	W3918.24	WB3918.24	\$1,026
	W4218.24	WB4218.24	\$1,053
	W4518.24	WB4518.24	\$1,081
W4818.24	WB4818.24	\$1,107	
20" High	W3020.24	WB3020.24	\$1,026
	W3320.24	WB3320.24	\$1,055
	W3420.24	WB3420.24	\$1,154
	W3620.24	WB3620.24	\$1,154
	W3720.24	WB3720.24	\$1,202
	W3920.24	WB3920.24	\$1,202
21" High	W3021.24	WB3021.24	\$1,026
	W3321.24	WB3321.24	\$1,055
	W3421.24	WB3421.24	\$1,156
	W3621.24	WB3621.24	\$1,156
	W3721.24	WB3721.24	\$1,202
	W3921.24	WB3921.24	\$1,202
	W4221.24		\$1,250
W4521.24		\$1,298	
W4821.24		\$1,344	
23" High	W3023.24	WB3023.24	\$1,026
	W3323.24	WB3323.24	\$1,055
	W3423.24	WB3423.24	\$1,156
	W3623.24	WB3623.24	\$1,156
	W3723.24	WB3723.24	\$1,202
	W3923.24	WB3923.24	\$1,202

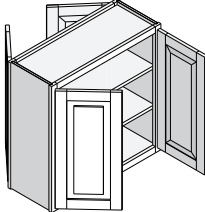
<sup>1</sup> Square doors only

Wall Cabinets » Standard » 24" High continued...

24" High	W3024.24	WB3024.24	\$1,026
	W3324.24	WB3324.24	\$1,055
	W3424.24	WB3424.24	\$1,156
	W3624.24	WB3624.24	\$1,156
	W3724.24	WB3724.24	\$1,202
	W3924.24	WB3924.24	\$1,202
	W4224.24		\$1,250
	W4524.24		\$1,298
W4824.24		\$1,344	
26" High	W3026.24	WB3026.24	\$1,026
	W3326.24	WB3326.24	\$1,055
	W3426.24	WB3426.24	\$1,156
	W3626.24	WB3626.24	\$1,156
	W3726.24	WB3726.24	\$1,667
	W3926.24	WB3926.24	\$1,202
	W4226.24		\$1,250
27" High	W3027.24	WB3027.24	\$1,026
	W3327.24	WB3327.24	\$1,055
	W3427.24	WB3427.24	\$1,156
	W3627.24	WB3627.24	\$1,156
	W3727.24	WB3727.24	\$1,202
	W3927.24	WB3927.24	\$1,202
	W4227.24		\$1,250
	W4527.24		\$1,298
W4827.24		\$1,344	
30" High	W3030.24	WB3030.24	\$1,038
	W3330.24	WB3330.24	\$1,131
	W3430.24	WB3430.24	\$1,233
	W3630.24	WB3630.24	\$1,233
	W3730.24	WB3730.24	\$1,279
	W3930.24	WB3930.24	\$1,279
	W4230.24		\$1,328
	W4530.24		\$1,376
	W4830.24		\$1,423
36" High	W3036.24	WB3036.24	\$1,123
	W3336.24	WB3336.24	\$1,218
	W3436.24	WB3436.24	\$1,320
	W3636.24	WB3636.24	\$1,320
	W3736.24	WB3736.24	\$1,366
	W3936.24	WB3936.24	\$1,366
	W4236.24		\$1,414
	W4536.24		\$1,461
	W4836.24		\$1,510

**? Did You Know?**

3/8 Inset knife hinges are available in Antique Brass or Nickel finish.

Peninsula Wall			PW
		<ul style="list-style-type: none"> <li>Peninsula cabinets with a single door on each frame will have both doors hinged on the same side of the cabinet when looking down on the cabinet.</li> <li>Please include drawing for items outside these standards.</li> </ul>	
<i>PWB3030 shown</i>			
12" High	PW0912L	PW0912R	\$760
	PW1212L	PW1212R	\$778
	PW1512L	PW1512R	\$840
	PW1812L	PW1812R	\$887
	PW2112L	PW2112R	\$962
	PW2412L	PW2412R	\$1,034
		PWB2412	\$1,064
		PWB2712	\$1,100
		PWB3012	\$1,133
		PWB3312	\$1,180
	PWB3612	\$1,193	
	PWB3912	\$1,495	
15" High	PW0915L	PW0915R	\$782
	PW1215L	PW1215R	\$802
	PW1515L	PW1515R	\$863
	PW1815L	PW1815R	\$911
	PW2115L	PW2115R	\$986
	PW2415L	PW2415R	\$1,055
		PWB2415	\$1,087
		PWB2715	\$1,124
		PWB3015	\$1,158
	PWB3315	\$1,197	
	PWB3615	\$1,215	
	PWB3915	\$1,517	
18" High	PW0918L	PW0918R	\$806
	PW1218L	PW1218R	\$824
	PW1518L	PW1518R	\$889
	PW1818L	PW1818R	\$933
	PW2118L	PW2118R	\$1,012
	PW2418L	PW2418R	\$1,080
		PWB2418	\$1,108
		PWB2718	\$1,146
		PWB3018	\$1,179
		PWB3318	\$1,218
		PWB3618	\$1,238
	PWB3918	\$1,539	

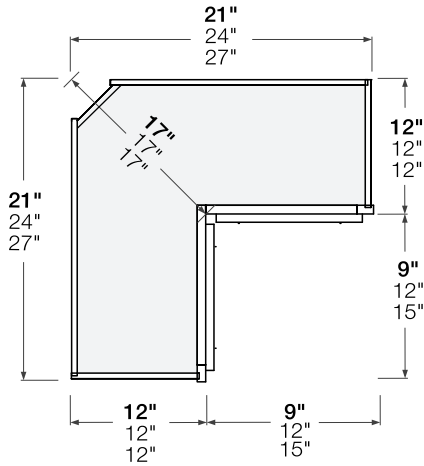
21" High	PW0921L	PW0921R	\$825
	PW1221L	PW1221R	\$851
	PW1521L	PW1521R	\$913
	PW1821L	PW1821R	\$958
	PW2121L	PW2121R	\$1,035
	PW2421L	PW2421R	\$1,105
		PWB2421	\$1,162
		PWB2721	\$1,238
		PWB3021	\$1,348
		PWB3321	\$1,420
	PWB3621	\$1,457	
	PWB3921	\$1,567	
24" High	PW0924L	PW0924R	\$825
	PW1224L	PW1224R	\$851
	PW1524L	PW1524R	\$913
	PW1824L	PW1824R	\$958
	PW2124L	PW2124R	\$1,035
	PW2424L	PW2424R	\$1,105
		PWB2424	\$1,162
		PWB2724	\$1,238
		PWB3024	\$1,348
		PWB3324	\$1,420
	PWB3624	\$1,457	
	PWB3924	\$1,567	
27" High	PW0927L	PW0927R	\$963
	PW1227L	PW1227R	\$982
	PW1527L	PW1527R	\$1,057
	PW1827L	PW1827R	\$1,114
	PW2127L	PW2127R	\$1,180
	PW2427L	PW2427R	\$1,290
		PWB2427	\$1,498
		PWB2727	\$1,533
		PWB3027	\$1,565
		PWB3327	\$1,638
	PWB3627	\$1,694	
	PWB3927	\$1,740	
30" High	PW0930L <sup>1</sup>	PW0930R <sup>1</sup>	\$963
	PW1230L	PW1230R	\$982
	PW1530L	PW1530R	\$1,057
	PW1830L	PW1830R	\$1,114
	PW2130L	PW2130R	\$1,180
	PW2430L	PW2430R	\$1,290
		PWB2430	\$1,498
		PWB2730	\$1,498
		PWB3030	\$1,565
		PWB3330	\$1,638
	PWB3630	\$1,694	
	PWB3930	\$1,740	

33" High	PW0933L <sup>1</sup>	PW0933R <sup>1</sup>	\$1,094
	PW1233L	PW1233R	\$1,106
	PW1533L	PW1533R	\$1,214
	PW1833L	PW1833R	\$1,280
	PW2133L	PW2133R	\$1,342
	PW2433L	PW2433R	\$1,503
		PWB2433	\$1,772
		PWB2733	\$1,832
		PWB3033	\$1,867
		PWB3333	\$1,977
	PWB3633	\$2,039	
	PWB3933	\$2,179	
36" High	PW0936L <sup>1</sup>	PW0936R <sup>1</sup>	\$1,094
	PW1236L	PW1236R	\$1,106
	PW1536L	PW1536R	\$1,214
	PW1836L	PW1836R	\$1,280
	PW2136L	PW2136R	\$1,342
	PW2436L	PW2436R	\$1,503
		PWB2436	\$1,772
		PWB2736	\$1,832
		PWB3036	\$1,867
		PWB3336	\$1,977
	PWB3636	\$2,039	
	PWB3936	\$2,179	
39" High	PW0939L <sup>1</sup>	PW0939R <sup>1</sup>	\$1,123
	PW1239L	PW1239R	\$1,131
	PW1539L	PW1539R	\$1,238
	PW1839L	PW1839R	\$1,304
	PW2139L	PW2139R	\$1,398
	PW2439L	PW2439R	\$1,409
		PWB2439	\$1,801
		PWB2739	\$1,854
		PWB3039	\$1,904
		PWB3339	\$1,958
	PWB3639	\$2,075	
	PWB3939	\$2,193	
42" High	PW0942L <sup>1</sup>	PW0942R <sup>1</sup>	\$1,123
	PW1242L	PW1242R	\$1,131
	PW1542L	PW1542R	\$1,238
	PW1842L	PW1842R	\$1,304
	PW2142L	PW2142R	\$1,398
	PW2442L	PW2442R	\$1,409
		PWB2442	\$1,801
		PWB2742	\$1,854
		PWB3042	\$1,904
		PWB3342	\$1,958
	PWB3642	\$2,075	
	PWB3942	\$2,193	

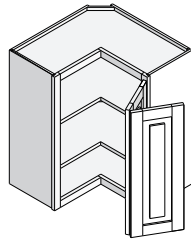
<sup>1</sup> Square doors only

Wall Easy Reach

WER



Sizes shown: 21" WER  
24" WER  
27" WER



- Asymmetrical cabinets available. Please specify leg to be increased/decreased. Increase width up to 36" for \$233. When sum of door widths exceeds 24", overlap doors will be used.
- Overlap doors are available on all wall easy reach cabinets for no additional upcharge. Specify which door opens first. These doors do not have soft close.
- Mortise and Tenon door styles over 48" High will have double raised panels (DRP) split 1/3 top and 2/3 bottom.
- Cabinets 48" H will have three shelves. Cabinets 54" and 60" H will have 4 shelves.
- Overlap doors will not have the soft close function
- Frame on End not available on hinged side

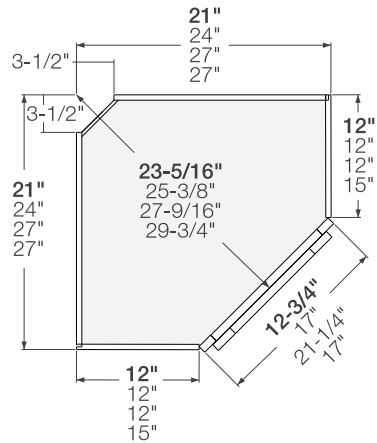
30" High	WER2130L	WER2130R	\$1,253
	WER2430L	WER2430R	\$1,301
	WER2730L	WER2730R	\$1,441
33" High	WER2133L	WER2133R	\$1,662
	WER2433L	WER2433R	\$1,704
	WER2733L	WER2733R	\$1,721
36" High	WER2136L	WER2136R	\$1,662
	WER2436L	WER2436R	\$1,704
	WER2736L	WER2736R	\$1,721
39" High	WER2139L	WER2139R	\$1,726
	WER2439L	WER2439R	\$1,762
	WER2739L	WER2739R	\$1,823
42" High	WER2142L	WER2142R	\$1,726
	WER2442L	WER2442R	\$1,762
	WER2742L	WER2742R	\$1,823

Wall Cabinets » Corner » 48" H continued...

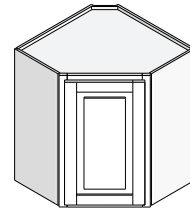
48" H	WER2148L	WER2148R	\$1,898
	WER2448L	WER2448R	\$1,933
	WER2748L	WER2748R	\$1,994
51" H	WER2451L	WER2451R	\$2,141
	WER2751L	WER2751R	\$2,288
54" H	WER2454L	WER2454R	\$2,347
	WER2754L	WER2754R	\$2,583
60" H	WER2460L	WER2460R	\$2,683
	WER2760L	WER2760R	\$2,848

Wall Diagonal

WD



Sizes shown: 21" WD  
24" WD  
27" WD  
27" WD + 15" sides



- Remember to add \$52 per wall finished end.
- Mortise and Tenon door styles over 48" High will have double raised panels (DRP) split 1/3 top and 2/3 bottom.
- Cabinets 48" H will have three shelves. Cabinets 54" and 60" H will have 4 shelves.

30" High	WD2130L <sup>3 2</sup>	WD2130R <sup>3 2</sup>	\$831
	WD2430L <sup>2</sup>	WD2430R <sup>2</sup>	\$864
	WD2730.12L <sup>2</sup>	WD2730.12R <sup>2</sup>	\$1,414
	WD2730.15L <sup>2</sup>	WD2730.15R <sup>2</sup>	\$1,441
33" High	WD2133L <sup>3 2</sup>	WD2133R <sup>3 2</sup>	\$1,107
	WD2433L <sup>2</sup>	WD2433R <sup>2</sup>	\$1,161
	WD2733.12L <sup>2</sup>	WD2733.12R <sup>2</sup>	\$1,579
	WD2733.15L <sup>2</sup>	WD2733.15R <sup>2</sup>	\$1,615
36" High	WD2136L <sup>3 2</sup>	WD2136R <sup>3 2</sup>	\$1,107
	WD2436L <sup>2</sup>	WD2436R <sup>2</sup>	\$1,161
	WD2736.12L <sup>2</sup>	WD2736.12R <sup>2</sup>	\$1,579
	WD2736.15L <sup>2</sup>	WD2736.15R <sup>2</sup>	\$1,615



Wall Cabinets » Corner » 39" High continued...

39" High	WD2139L <sup>3 2</sup>	WD2139R <sup>3 2</sup>	\$1,122
	WD2439L <sup>2</sup>	WD2439R <sup>2</sup>	\$1,181
	WD2739.12L <sup>2</sup>	WD2739.12R <sup>2</sup>	\$1,702
	WD2739.15L <sup>2</sup>	WD2739.15R <sup>2</sup>	\$1,721
42" High	WD2142L <sup>3 2</sup>	WD2142R <sup>3 2</sup>	\$1,122
	WD2442L <sup>2</sup>	WD2442R <sup>2</sup>	\$1,181
	WD2742.12L <sup>2</sup>	WD2742.12R <sup>2</sup>	\$1,702
	WD2742.15L <sup>2</sup>	WD2742.15R <sup>2</sup>	\$1,721
48" High	WD2148L <sup>3 2</sup>	WD2148R <sup>3 2</sup>	\$1,295
	WD2448L <sup>2</sup>	WD2448R <sup>2</sup>	\$1,354
	WD2748.12L <sup>2</sup>	WD2748.12R <sup>2</sup>	\$1,873
	WD2748.15L <sup>2</sup>	WD2748.15R <sup>2</sup>	\$1,893
51" High	WD2151L <sup>2 3</sup>	WD2151R <sup>2 3</sup>	\$1,549
	WD2451L <sup>2</sup>	WD2451R <sup>2</sup>	\$1,609
	WD2751.12L <sup>2</sup>	WD2751.12R <sup>2</sup>	\$2,135
	WD2751.15L <sup>2</sup>	WD2751.15R <sup>2</sup>	\$2,157
54" High	WD2154L <sup>3 2</sup>	WD2154R <sup>2 3</sup>	\$1,804
	WD2454L <sup>2</sup>	WD2454R <sup>2</sup>	\$1,866
	WD2754.12L <sup>2</sup>	WD2754.12R <sup>2</sup>	\$2,397
	WD2754.15L <sup>2</sup>	WD2754.15R <sup>2</sup>	\$2,421
60" High	WD2160L <sup>3 2</sup>	WD2160R <sup>3 2</sup>	\$2,139
	WD2460L <sup>2</sup>	WD2460R <sup>2</sup>	\$2,201
	WD2760.12L <sup>2</sup>	WD2760.12R <sup>2</sup>	\$2,733
	WD2760.15L <sup>2</sup>	WD2760.15R <sup>2</sup>	\$2,756

Wall Cabinets » Corner » 48" High continued...

48" High	TWD2148L <sup>2</sup>	TWD2148R <sup>2</sup>	\$2,311
	TWD2448L <sup>2</sup>	TWD2448R <sup>2</sup>	\$2,343
	TWD2748.12L <sup>2</sup>	TWD2748.12R <sup>2</sup>	\$2,892
	TWD2748.15L <sup>2</sup>	TWD2748.15R <sup>2</sup>	\$3,181
51" High	TWD2151L <sup>2</sup>	TWD2151R <sup>2</sup>	\$2,311
	TWD2451L <sup>2</sup>	TWD2451R <sup>2</sup>	\$2,343
	TWD2751.12L <sup>2</sup>	TWD2751.12R <sup>2</sup>	\$2,892
	TWD2751.15L <sup>2</sup>	TWD2751.15R <sup>2</sup>	\$3,181
54" High	TWD2154L <sup>2</sup>	TWD2154R <sup>2</sup>	\$2,311
	TWD2454L <sup>2</sup>	TWD2454R <sup>2</sup>	\$2,343
	TWD2754.12L <sup>2</sup>	TWD2754.12R <sup>2</sup>	\$2,892
	TWD2754.15L <sup>2</sup>	TWD2754.15R <sup>2</sup>	\$3,181
60" High	TWD2160L <sup>2</sup>	TWD2160R <sup>2</sup>	\$2,375
	TWD2460L <sup>2</sup>	TWD2460R <sup>2</sup>	\$2,449
	TWD2760.12L <sup>2</sup>	TWD2760.12R <sup>2</sup>	\$3,170
	TWD2760.15L <sup>2</sup>	TWD2760.15R <sup>2</sup>	\$3,244

Transom Wall Diagonal TWD

9"  
 12"  
 15"  
 18"  
 42"  
 48"  
 54", 51"  
 60"  
 27 3/4"  
 30 3/4"  
 33 3/4"  
 36 3/4"

- Remember to add \$52 per wall finished end.

42" High	TWD2142L <sup>2</sup>	TWD2142R <sup>2</sup>	\$1,564
	TWD2442L <sup>2</sup>	TWD2442R <sup>2</sup>	\$1,597
	TWD2742.12L <sup>2</sup>	TWD2742.12R <sup>2</sup>	\$2,147
	TWD2742.15L <sup>2</sup>	TWD2742.15R <sup>2</sup>	\$2,361

Wall Diagonal w/Lazy Susan WD w/LS

- 30" H cabinet will receive 2 spinners.
- 33-42" H will receive 3 spinners.
- Spinner is 20" in diameter mounted on the floor and adjustable shelf.

*WD2430R-w/LS shown*

WD w/LS	WD2430L-W/LS <sup>2</sup>	WD2430R-W/LS <sup>2</sup>	\$1,281
	WD2433L-W/LS <sup>2</sup>	WD2433R-W/LS <sup>2</sup>	\$1,608
	WD2436L-W/LS <sup>2</sup>	WD2436R-W/LS <sup>2</sup>	\$1,608
	WD2439L-W/LS <sup>2</sup>	WD2439R-W/LS <sup>2</sup>	\$1,761
	WD2442L-W/LS <sup>2</sup>	WD2442R-W/LS <sup>2</sup>	\$1,761

Wall Diagonal w/Tambour WTD

4-1/2"  
15"

*WTD2448R shown*

- Clearance with the tambour open is 13-3/8" H.
- Designed to set on counter. Finished ends included with cabinet. Order acknowledgment will show as broken down charge but when added to case cost will be equal to cost listed in the book.
- Cabinet height/Upper Cabinet: 48/30, 54/36 and 60/42

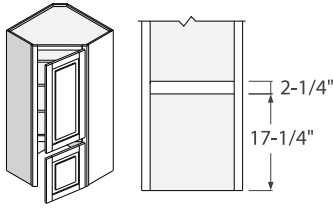
48" High	WTD2448L <sup>2</sup>	WTD2448R <sup>2</sup>	\$1,652
	WTD2748.12L <sup>2</sup>	WTD2748.12R <sup>2</sup>	\$1,852
	WTD2748.15L <sup>2</sup>	WTD2748.15R <sup>2</sup>	\$1,900

<sup>3</sup> Lazy Susan not available; <sup>2</sup> Odd overlay (1/2") both sides standard with full overlay and Euro orders

Wall Cabinets » Corner » 51" High continued...

51" High	WTD2451L <sup>2</sup>	WTD2451R <sup>2</sup>	\$1,949
	WTD2751.12L <sup>2</sup>	WTD2751.12R <sup>2</sup>	\$2,148
	WTD2751.15L <sup>2</sup>	WTD2751.15R <sup>2</sup>	\$2,196
54" High	WTD2454L <sup>2</sup>	WTD2454R <sup>2</sup>	\$1,949
	WTD2754.12L <sup>2</sup>	WTD2754.12R <sup>2</sup>	\$2,148
	WTD2754.15L <sup>2</sup>	WTD2754.15R <sup>2</sup>	\$2,196
57" High	WTD2457L <sup>2</sup>	WTD2457R <sup>2</sup>	\$1,968
	WTD2757.12L <sup>2</sup>	WTD2757.12R <sup>2</sup>	\$2,170
	WTD2757.15L <sup>2</sup>	WTD2757.15R <sup>2</sup>	\$2,216
60" High	WTD2460L <sup>2</sup>	WTD2460R <sup>2</sup>	\$1,968
	WTD2760.12L <sup>2</sup>	WTD2760.12R <sup>2</sup>	\$2,170
	WTD2760.15L <sup>2</sup>	WTD2760.15R <sup>2</sup>	\$2,216

Wall Appliance Garage Diagonal **WAGD**

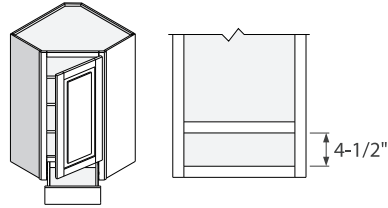


WAGD2448R shown

- Designed to set on counter. Finished ends included with cabinet. Order acknowledgment will show as broken down charge but when added to case cost will be equal to cost listed in the book.
- Cabinet height/Upper Cabinet: 48/30, 54/36 and 60/42

48" High	WAGD2448L <sup>2</sup>	WAGD2448R <sup>2</sup>	\$1,731
	WAGD2748.12L <sup>2</sup>	WAGD2748.12R <sup>2</sup>	\$1,939
	WAGD2748.15L <sup>2</sup>	WAGD2748.15R <sup>2</sup>	\$1,992
51" High	WAGD2451L <sup>2</sup>	WAGD2451R <sup>2</sup>	\$2,048
	WAGD2751.12L <sup>2</sup>	WAGD2751.12R <sup>2</sup>	\$2,256
	WAGD2751.15L <sup>2</sup>	WAGD2751.15R <sup>2</sup>	\$2,304
54" High	WAGD2454L <sup>2</sup>	WAGD2454R <sup>2</sup>	\$2,048
	WAGD2754.12L <sup>2</sup>	WAGD2754.12R <sup>2</sup>	\$2,256
	WAGD2754.15L <sup>2</sup>	WAGD2754.15R <sup>2</sup>	\$2,304
57" High	WAGD2457L <sup>2</sup>	WAGD2457R <sup>2</sup>	\$2,067
	WAGD2757.12L <sup>2</sup>	WAGD2757.12R <sup>2</sup>	\$2,271
	WAGD2757.15L <sup>2</sup>	WAGD2757.15R <sup>2</sup>	\$2,323
60" High	WAGD2460L <sup>2</sup>	WAGD2460R <sup>2</sup>	\$2,067
	WAGD2760.12L <sup>2</sup>	WAGD2760.12R <sup>2</sup>	\$2,271
	WAGD2760.15L <sup>2</sup>	WAGD2760.15R <sup>2</sup>	\$2,323

Wall Diagonal w/Single Drawer **WSD**



WSD2442R shown

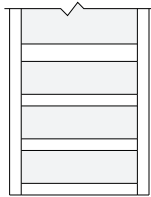
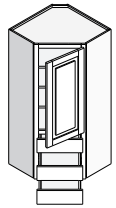
- 4-1/2" H drawer opening.
- Drawer box will be 15" deep and have soft-close drawer tracks.
- Full Overlay consideration for elevation. Please specify if doors are to line up.

30" High	WSD2430L <sup>2</sup>	WSD2430R <sup>2</sup>	\$1,291
	WSD2730.12L <sup>2</sup>	WSD2730.12R <sup>2</sup>	\$1,785
	WSD2730.15L <sup>2</sup>	WSD2730.15R <sup>2</sup>	\$1,991
33" High	WSD2433L <sup>2</sup>	WSD2433R <sup>2</sup>	\$1,291
	WSD2733.12L <sup>2</sup>	WSD2733.12R <sup>2</sup>	\$1,785
	WSD2733.15L <sup>2</sup>	WSD2733.15R <sup>2</sup>	\$1,991
36" High	WSD2436L <sup>2</sup>	WSD2436R <sup>2</sup>	\$1,291
	WSD2736.12L <sup>2</sup>	WSD2736.12R <sup>2</sup>	\$1,785
	WSD2736.15L <sup>2</sup>	WSD2736.15R <sup>2</sup>	\$1,991
39" High	WSD2439L <sup>2</sup>	WSD2439R <sup>2</sup>	\$1,581
	WSD2739.12L <sup>2</sup>	WSD2739.12R <sup>2</sup>	\$1,891
	WSD2739.15L <sup>2</sup>	WSD2739.15R <sup>2</sup>	\$2,056
42" High	WSD2442L <sup>2</sup>	WSD2442R <sup>2</sup>	\$1,581
	WSD2742.12L <sup>2</sup>	WSD2742.12R <sup>2</sup>	\$1,891
	WSD2742.15L <sup>2</sup>	WSD2742.15R <sup>2</sup>	\$2,056
48" High	WSD2448L <sup>2</sup>	WSD2448R <sup>2</sup>	\$1,600
	WSD2748.12L <sup>2</sup>	WSD2748.12R <sup>2</sup>	\$2,111
	WSD2748.15L <sup>2</sup>	WSD2748.15R <sup>2</sup>	\$2,150
51" High	WSD2451L <sup>2</sup>	WSD2451R <sup>2</sup>	\$1,672
	WSD2751.12L <sup>2</sup>	WSD2751.12R <sup>2</sup>	\$2,166
	WSD2751.15L <sup>2</sup>	WSD2751.15R <sup>2</sup>	\$2,219
54" High	WSD2454L <sup>2</sup>	WSD2454R <sup>2</sup>	\$1,741
	WSD2754.12L <sup>2</sup>	WSD2754.12R <sup>2</sup>	\$2,221
	WSD2754.15L <sup>2</sup>	WSD2754.15R <sup>2</sup>	\$2,288
60" High	WSD2460L <sup>2</sup>	WSD2460R <sup>2</sup>	\$1,881
	WSD2760.12L <sup>2</sup>	WSD2760.12R <sup>2</sup>	\$2,343
	WSD2760.15L <sup>2</sup>	WSD2760.15R <sup>2</sup>	\$2,427

**? Did You Know?**

Your acknowledgement is posted on the extranet in PDF format. Go to <http://extranet.candlelightcab.net> and click on the orders tab.

**Wall Diagonal w/Drawer Unit** **WDUD**

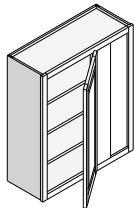


**WDUD2448R shown**

- Designed to set on counter. Finished ends included with cabinet. Order acknowledgment will show as broken down charge but when added to case cost will be equal to cost listed in the book.
- Cabinet height/Upper Cabinet: 48/30, 54/36 and 60/42

<b>WDUD</b>	WDUD2448L <sup>2</sup>	WDUD2448R <sup>2</sup>	\$2,108
	WDUD2451L <sup>2</sup>	WDUD2451R <sup>2</sup>	\$2,171
	WDUD2454L <sup>2</sup>	WDUD2454R <sup>2</sup>	\$2,232
	WDUD2457L <sup>2</sup>	WDUD2457R <sup>2</sup>	\$2,296
	WDUD2460L <sup>2</sup>	WDUD2460R <sup>2</sup>	\$2,301

**Wall Corner** **WC**



**WC3036R shown**

- Door will be hinged on same side as blind corner, i.e., left blind corner will have a left hinged door.
- Blind corner cabinets should be pulled for door clearance. Maximum pull 4-1/2.
- Cabinet is actual width stated.
- A filler or extended stile should be used on the cabinet running into the blind corner side.
- Add 25% for solid blind. i.e., WC3036R-w/Solid\_Blind.

<b>18" High</b>	WC2418L	WC2418R	\$574
	WC2718L	WC2718R	\$617
	WC3018L	WC3018R	\$669
	WC3318L	WC3318R	\$733
	WC3618L	WC3618R	\$759
	WCB3918L	WCB3918R	\$825
	WCB4218L	WCB4218R	\$944
	WCB4518L	WCB4518R	\$979
	WCB4818L	WCB4818R	\$1,015

Wall Cabinets » Corner » 21" High continued...

<b>21" High</b>	WC2421L	WC2421R	\$574
	WC2721L	WC2721R	\$617
	WC3021L	WC3021R	\$669
	WC3321L	WC3321R	\$733
	WC3621L	WC3621R	\$759
	WCB3921L	WCB3921R	\$825
	WCB4221L	WCB4221R	\$944
	WCB4521L	WCB4521R	\$979
WCB4821L	WCB4821R	\$1,015	
<b>24" High</b>	WC2424L	WC2424R	\$574
	WC2724L	WC2724R	\$617
	WC3024L	WC3024R	\$669
	WC3324L	WC3324R	\$733
	WC3624L	WC3624R	\$759
	WCB3924L	WCB3924R	\$825
	WCB4224L	WCB4224R	\$944
WCB4524L	WCB4524R	\$979	
WCB4824L	WCB4824R	\$1,015	
<b>27" High</b>	WC2427L	WC2427R	\$674
	WC2727L	WC2727R	\$700
	WC3027L	WC3027R	\$735
	WC3327L	WC3327R	\$793
	WC3627L	WC3627R	\$824
	WCB3927L	WCB3927R	\$944
	WCB4227L	WCB4227R	\$1,008
WCB4527L	WCB4527R	\$1,052	
WCB4827L	WCB4827R	\$1,130	
<b>30" High</b>	WC2430L	WC2430R	\$674
	WC2730L	WC2730R	\$700
	WC3030L	WC3030R	\$735
	WC3330L	WC3330R	\$793
	WC3630L	WC3630R	\$824
	WCB3930L	WCB3930R	\$944
	WCB4230L	WCB4230R	\$1,008
WCB4530L	WCB4530R	\$1,052	
WCB4830L	WCB4830R	\$1,130	
<b>33" High</b>	WC2433L	WC2433R	\$861
	WC2733L	WC2733R	\$901
	WC3033L	WC3033R	\$964
	WC3333L	WC3333R	\$1,038
	WC3633L	WC3633R	\$1,098
	WCB3933L	WCB3933R	\$1,233
	WCB4233L	WCB4233R	\$1,304
WCB4533L	WCB4533R	\$1,373	
WCB4833L	WCB4833R	\$1,443	

**? Did You Know?**

You can now enter orders on-line. Go to <http://extranet.candlelightcab.net> and click on the Easy Price tab.

<sup>2</sup> Odd overlay (1/2") both sides standard with full overlay and Euro orders

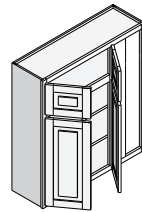
Wall Cabinets » Corner » 36" High continued...

36" High	WC2436L	WC2436R	\$861
	WC2736L	WC2736R	\$901
	WC3036L	WC3036R	\$964
	WC3336L	WC3336R	\$1,038
	WC3636L	WC3636R	\$1,098
	WCB3936L	WCB3936R	\$1,233
	WCB4236L	WCB4236R	\$1,304
	WCB4536L	WCB4536R	\$1,373
	WCB4836L	WCB4836R	\$1,443
39" High	WC2439L	WC2439R	\$881
	WC2739L	WC2739R	\$916
	WC3039L	WC3039R	\$982
	WC3339L	WC3339R	\$1,054
	WC3639L	WC3639R	\$1,121
	WCB3939L	WCB3939R	\$1,260
	WCB4239L	WCB4239R	\$1,329
	WCB4539L	WCB4539R	\$1,398
	WCB4839L	WCB4839R	\$1,469
42" High	WC2442L	WC2442R	\$881
	WC2742L	WC2742R	\$916
	WC3042L	WC3042R	\$982
	WC3342L	WC3342R	\$1,054
	WC3642L	WC3642R	\$1,121
	WCB3942L	WCB3942R	\$1,260
	WCB4242L	WCB4242R	\$1,329
	WCB4542L	WCB4542R	\$1,398
	WCB4842L	WCB4842R	\$1,469
48" High	WC2448L	WC2448R	\$1,062
	WC2748L	WC2748R	\$1,098
	WC3048L	WC3048R	\$1,163
	WC3348L	WC3348R	\$1,235
	WC3648L	WC3648R	\$1,303
	WCB3948L	WCB3948R	\$1,441
	WCB4248L	WCB4248R	\$1,511
	WCB4548L	WCB4548R	\$1,580
	WCB4848L	WCB4848R	\$1,650
51" High	WC2451L	WC2451R	\$1,122
	WC2751L	WC2751R	\$1,098
	WC3051L	WC3051R	\$1,163
	WC3351L	WC3351R	\$1,235
	WC3651L	WC3651R	\$1,303
	WCB3951L	WCB3951R	\$1,441
	WCB4251L	WCB4251R	\$1,511
	WCB4551L	WCB4551R	\$1,580
	WCB4851L	WCB4851R	\$1,650

Wall Cabinets » Corner » 54" High continued...

54" High	WC2454L	WC2454R	\$1,702
	WC2754L	WC2754R	\$1,734
	WC3054L	WC3054R	\$1,803
	WC3354L	WC3354R	\$1,875
	WC3654L	WC3654R	\$1,943
	WCB3954L	WCB3954R	\$2,080
	WCB4254L	WCB4254R	\$2,151
	WCB4554L	WCB4554R	\$2,220
	WCB4854L	WCB4854R	\$2,289
60" High	WC2460L	WC2460R	\$1,702
	WC2760L	WC2760R	\$1,738
	WC3060L	WC3060R	\$1,803
	WC3360L	WC3360R	\$1,875
	WC3660L	WC3660R	\$1,943
	WCB3960L	WCB3960R	\$2,080
	WCB4260L	WCB4260R	\$2,151
	WCB4560L	WCB4560R	\$2,220
	WCB4860L	WCB4860R	\$2,289

Transom Wall Corner TWC



TWCB3942R shown

- Door will be hinged on same side as blind corner, i.e., left blind corner will have a left hinged door.
- Blind corner cabinets should be pulled for door clearance. Maximum pull 4-1/2.
- Cabinet is actual width stated.
- A filler or extended stile should be used on the cabinet running into the blind corner side.
- Add 25% for solid blind. i.e., TWCB3942R-w/Solid\_Blind.

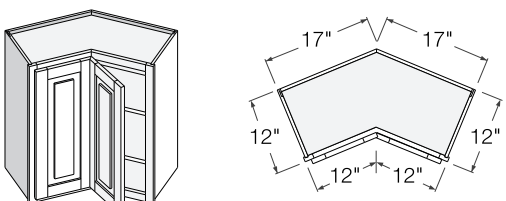
42" High	TWC2442L	TWC2442R	\$1,248
	TWC2742L	TWC2742R	\$1,320
	TWC3042L	TWC3042R	\$1,403
	TWC3342L	TWC3342R	\$1,526
	TWC3642L	TWC3642R	\$1,584
	TWCB3942L	TWCB3942R	\$1,768
	TWCB4242L	TWCB4242R	\$1,953
	TWCB4542L	TWCB4542R	\$2,030
	TWCB4842L	TWCB4842R	\$2,150

48" High	TWC2448L	TWC2448R	\$1,672
	TWC2748L	TWC2748R	\$1,672
	TWC3048L	TWC3048R	\$1,794
	TWC3348L	TWC3348R	\$1,947
	TWC3648L	TWC3648R	\$2,043
	TWCB3948L	TWCB3948R	\$2,147
	TWCB4248L	TWCB4248R	\$2,246
	TWCB4548L	TWCB4548R	\$2,307
	TWCB4848L	TWCB4848R	\$2,348
51" High	TWC2451L	TWC2451R	\$1,689
	TWC2751L	TWC2751R	\$1,721
	TWC3051L	TWC3051R	\$1,845
	TWC3351L	TWC3351R	\$1,998
	TWC3651L	TWC3651R	\$2,092
	TWCB3951L	TWCB3951R	\$2,195
	TWCB4251L	TWCB4251R	\$2,298
	TWCB4551L	TWCB4551R	\$2,358
	TWCB4851L	TWCB4851R	\$2,400
54" High	TWC2454L	TWC2454R	\$1,689
	TWC2754L	TWC2754R	\$1,721
	TWC3054L	TWC3054R	\$1,845
	TWC3354L	TWC3354R	\$1,998
	TWC3654L	TWC3654R	\$2,092
	TWCB3954L	TWCB3954R	\$2,195
	TWCB4254L	TWCB4254R	\$2,298
	TWCB4554L	TWCB4554R	\$2,358
	TWCB4854L	TWCB4854R	\$2,400
60" High	TWC2460L	TWC2460R	\$1,854
	TWC2760L	TWC2760R	\$1,947
	TWC3060L	TWC3060R	\$2,075
	TWC3360L	TWC3360R	\$2,231
	TWC3660L	TWC3660R	\$2,330
	TWCB3960L	TWCB3960R	\$2,434
	TWCB4260L	TWCB4260R	\$2,541
	TWCB4560L	TWCB4560R	\$2,602
	TWCB4860L	TWCB4860R	\$2,645

**? Did You Know?**

Your acknowledgement is posted on the extranet in PDF format. Go to <http://extranet.candlelightcab.net> and click on the orders tab.

### Wall Angle 135 WAZ

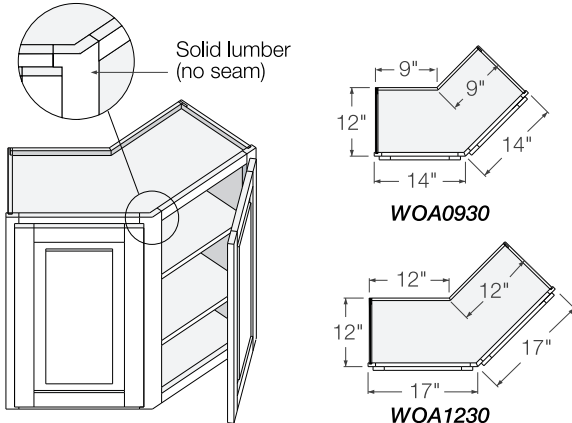


**WAZ30L shown**

- Designed for 135 degree inside corner.
- Cabinet has 12" deep sides.
- Specify hinging L or R when ordering.

WAZ30L	WAZ30R	\$1,048
WAZ33L	WAZ33R	\$1,249
WAZ36L	WAZ36R	\$1,249
WAZ39L	WAZ39R	\$1,369
WAZ42L	WAZ42R	\$1,369

### Wall Outside Angle 135 WOA



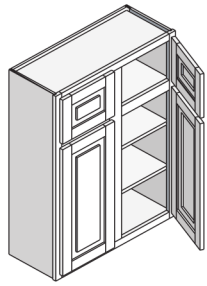
**WOA1230 shown**

- Designed for 135 degree outside corner.
- Cabinet has 12" deep sides.
- Hinged L, R unless specified otherwise.

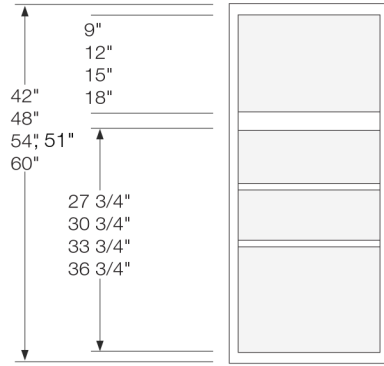
WOA0930	\$1,035
WOA1230	\$1,159
WOA0933	\$1,238
WOA1233	\$1,304
WOA0936	\$1,238
WOA1236	\$1,304
WOA0939	\$1,298
WOA1239	\$1,444
WOA0942	\$1,298
WOA1242	\$1,444

Transom Wall

TW



TW3342 shown



42" High	TW0942L	TW0942R	\$863
	TW1242L	TW1242R	\$903
	TW1542L	TW1542R	\$973
	TW1842L	TW1842R	\$1,035
	TW2142L	TW2142R	\$1,113
	TW2442L	TW2442R	\$1,334
		TWB2442	\$1,467
		TWB2742	\$1,512
	TW3042	TWB3042	\$1,508
	TW3342	TWB3342	\$1,574
	TW3642	TWB3642	\$1,645
	TW3942	TWB3942	\$1,721
	TW4242	TWB4242	\$1,795
	TW4542	TWB4542	\$1,846
TW4842	TWB4842	\$1,945	
48" High	TW0948L	TW0948R	\$1,149
	TW1248L	TW1248R	\$1,180
	TW1548L	TW1548R	\$1,267
	TW1848L	TW1848R	\$1,344
	TW2148L	TW2148R	\$1,449
	TW2448L	TW2448R	\$1,568
		TWB2448	\$1,901
		TWB2748	\$1,930
	TW3048	TWB3048	\$1,974
	TW3348	TWB3348	\$2,064
	TW3648	TWB3648	\$2,111
	TW3948	TWB3948	\$2,289
	TW4248	TWB4248	\$2,348
	TW4548	TWB4548	\$2,438
TW4848	TWB4848	\$2,515	

Wall Cabinets » Specialty » 51" High continued...

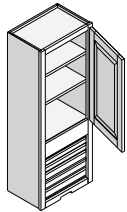
51" High	TW0951L	TW0951R	\$1,180
	TW1251L	TW1251R	\$1,215
	TW1551L	TW1551R	\$1,305
	TW1851L	TW1851R	\$1,385
	TW2151L	TW2151R	\$1,492
	TW2451L	TW2451R	\$1,615
		TWB2451	\$1,915
		TWB2751	\$1,954
	TW3051	TWB3051	\$2,010
	TW3351	TWB3351	\$2,097
	TW3651	TWB3651	\$2,153
	TW3951	TWB3951	\$2,348
	TW4251	TWB4251	\$2,490
	TW4551	TWB4551	\$2,514
TW4851	TWB4851	\$2,564	
54" High	TW0954L	TW0954R	\$1,213
	TW1254L	TW1254R	\$1,250
	TW1554L	TW1554R	\$1,341
	TW1854L	TW1854R	\$1,424
	TW2154L	TW2154R	\$1,536
	TW2454L	TW2454R	\$1,660
		TWB2454	\$1,929
		TWB2754	\$1,978
	TW3054	TWB3054	\$2,045
	TW3354	TWB3354	\$2,128
	TW3654	TWB3654	\$2,193
	TW3954	TWB3954	\$2,408
	TW4254	TWB4254	\$2,459
	TW4554	TWB4554	\$2,541
TW4854	TWB4854	\$2,610	
60" High	TW0960L	TW0960R	\$1,389
	TW1260L	TW1260R	\$1,462
	TW1560L	TW1560R	\$1,528
	TW1860L	TW1860R	\$1,613
	TW2160L	TW2160R	\$1,728
	TW2460L	TW2460R	\$1,856
		TWB2460	\$2,130
		TWB2760	\$2,182
	TW3060	TWB3060	\$2,252
	TW3360	TWB3360	\$2,337
	TW3660	TWB3660	\$2,404
	TW3960	TWB3960	\$2,625
	TW4260	TWB4260	\$2,678
	TW4560	TWB4560	\$2,761
TW4860	TWB4860	\$2,834	

**? Did You Know?**

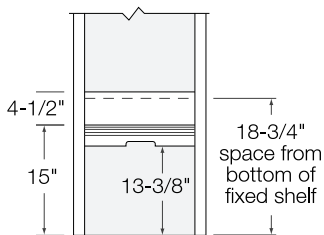
The Euro FO option uses a frameless hinge on a notched face frame.

Tambour Wall

WT



WT1848R shown



- Clearance with the tambour open is 13-3/8" H.
- Designed to set on counter. Finished ends included with cabinet. Order acknowledgment will show as broken down charge but when added to case cost will be equal to cost listed in the book.
- Cabinet height/Upper Cabinet: 48/30, 54/36 and 60/42

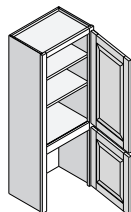
48" High	WT1848L	WT1848R	\$1,489
	WT2148L	WT2148R	\$1,558
	WT2448L	WT2448R	\$1,649
		WTB2448	\$1,783
		WTB2748	\$1,819
	WT3048	WTB3048	\$1,889
	WT3348	WTB3348	\$1,953
	WT3648	WTB3648	\$2,027
51" High	WT1851L	WT1851R	\$1,676
	WT2151L	WT2151R	\$1,756
	WT2451L	WT2451R	\$1,852
		WTB2451	\$2,019
		WTB2751	\$2,065
	WT3051	WTB3051	\$2,149
	WT3351	WTB3351	\$2,219
WT3651	WTB3651	\$2,270	
54" High	WT1854L	WT1854R	\$1,676
	WT2154L	WT2154R	\$1,756
	WT2454L	WT2454R	\$1,852
		WTB2454	\$2,019
		WTB2754	\$2,065
	WT3054	WTB3054	\$2,149
	WT3354	WTB3354	\$2,219
WT3654	WTB3654	\$2,270	
57" High	WT1857L	WT1857R	\$1,692
	WT2157L	WT2157R	\$1,870
	WT2457L	WT2457R	\$1,870
		WTB2457	\$2,040
		WTB2757	\$2,088
	WT3057	WTB3057	\$2,170
	WT3357	WTB3357	\$2,276
WT3657	WTB3657	\$2,339	

Wall Cabinets » Specialty » 60" High continued...

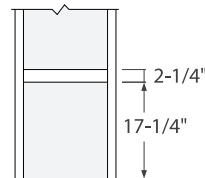
60" High	WT1860L	WT1860R	\$1,692
	WT2160L	WT2160R	\$1,774
	WT2460L	WT2460R	\$1,870
		WTB2460	\$2,040
		WTB2760	\$2,088
	WT3060	WTB3060	\$2,170
	WT3360	WTB3360	\$2,276
	WT3660	WTB3660	\$2,339

Wall Appliance Garage

WAG



WAG1848R shown



- Designed to set on counter. Finished ends included with cabinet. Order acknowledgment will show as broken down charge but when added to case cost will be equal to cost listed in the book.
- Cabinet height/Upper Cabinet: 48/30, 54/36 and 60/42
- Aventos Lift-Up Options for Bottom Door-See Page 5.7

48" High	WAG1848L	WAG1848R	\$1,561
	WAG2148L	WAG2148R	\$1,631
	WAG2448L	WAG2448R	\$1,726
		WAGB2448	\$1,866
		WAGB2748	\$1,904
		WAGB3048	\$1,977
		WAGB3348	\$2,124
51" High		WAGB3648	\$2,124
	WAG1851L	WAG1851R	\$1,760
	WAG2151L	WAG2151R	\$1,844
	WAG2451L	WAG2451R	\$1,946
		WAGB2451	\$2,118
		WAGB2751	\$2,169
		WAGB3051	\$2,256
54" High		WAGB3351	\$2,329
		WAGB3651	\$2,383
	WAG1854L	WAG1854R	\$1,760
	WAG2154L	WAG2154R	\$1,844
	WAG2454L	WAG2454R	\$1,946
		WAGB2454	\$2,118
		WAGB2754	\$2,169
	WAGB3054	\$2,256	
	WAGB3354	\$2,329	
	WAGB3654	\$2,383	

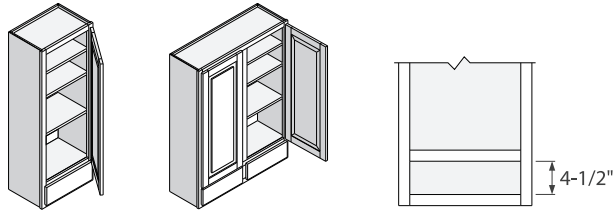
Wall Cabinets » Specialty » 57" High continued...

57" High	WAG1857L	WAG1857R	\$1,778
	WAG2157L	WAG2157R	\$1,860
	WAG2457L	WAG2457R	\$1,962
		WAGB2457	\$2,143
		WAGB2757	\$2,193
		WAGB3057	\$2,279
		WAGB3357	\$2,358
		WAGB3657	\$2,456
60" High	WAG1860L	WAG1860R	\$1,778
	WAG2160L	WAG2160R	\$1,860
	WAG2460L	WAG2460R	\$1,962
		WAGB2460	\$2,143
		WAGB2760	\$2,193
		WAGB3060	\$2,279
		WAGB3360	\$2,358
		WAGB3660	\$2,456

Wall Cabinets » Specialty » 33" High continued...

33" High	WSD1533L	WSD1533R	\$1,057
	WSD1833L	WSD1833R	\$1,108
	WSD2133L	WSD2133R	\$1,166
	WSD2433L	WSD2433R	\$1,242
		WSDB2433	\$1,409
		WSDB2733	\$1,429
	WSD3033.02	WSDB3033.02	\$1,466
	WSD3333.02	WSDB3333.02	\$1,509
WSD3633.02	WSDB3633.02	\$1,535	
36" High	WSD1536L	WSD1536R	\$1,057
	WSD1836L	WSD1836R	\$1,108
	WSD2136L	WSD2136R	\$1,166
	WSD2436L	WSD2436R	\$1,242
		WSDB2436	\$1,409
		WSDB2736	\$1,429
	WSD3036.02	WSDB3036.02	\$1,466
	WSD3336.02	WSDB3336.02	\$1,509
WSD3636.02	WSDB3636.02	\$1,535	
42" High	WSD1542L	WSD1542R	\$1,085
	WSD1842L	WSD1842R	\$1,126
	WSD2142L	WSD2142R	\$1,183
	WSD2442L	WSD2442R	\$1,259
		WSDB2442	\$1,425
		WSDB2742	\$1,457
	WSD3042.02	WSDB3042.02	\$1,488
	WSD3342.02	WSDB3342.02	\$1,554
WSD3642.02	WSDB3642.02	\$1,604	
48" High	WSD1548L	WSD1548R	\$1,222
	WSD1848L	WSD1848R	\$1,265
	WSD2148L	WSD2148R	\$1,324
	WSD2448L	WSD2448R	\$1,400
		WSDB2448	\$1,567
		WSDB2748	\$1,597
	WSD3048.02	WSDB3048.02	\$1,628
	WSD3348.02	WSDB3348.02	\$1,695
WSD3648.02	WSDB3648.02	\$1,746	
51" High	WSD1251L	WSD1251R	\$1,293
	WSD1551L	WSD1551R	\$1,293
	WSD1851L	WSD1851R	\$1,334
	WSD2151L	WSD2151R	\$1,389
	WSD2451L	WSD2451R	\$1,467
		WSDB2451	\$1,638
		WSDB2751	\$1,665
	WSD3051.02	WSDB3051.02	\$1,697
WSD3351.02	WSDB3351.02	\$1,764	
WSD3651.02	WSDB3651.02	\$1,814	

Wall Single Drawer **WSD**



**WSD1848R**      **WSD3648.02**

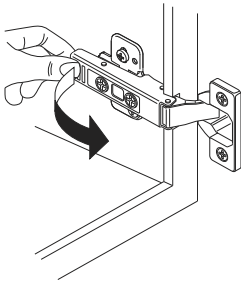
- 4-1/2" H drawer opening. Drawer fronts on inset orders will typically have flat center panels or be slabs.
- Cabinets 27" wide and less will have a single drawer.
- Cabinets 30" wide and greater will have two drawers side by side. This is to avoid racking of the drawer when opening.
- Drawer box will be 10-1/4" deep and have soft-close drawer tracks.
- Full Overlay consideration for elevation. Please specify if doors are to line up.

30" High	WSD1530L	WSD1530R	\$1,057
	WSD1830L	WSD1830R	\$1,108
	WSD2130L	WSD2130R	\$1,166
	WSD2430L	WSD2430R	\$1,242
		WSDB2430	\$1,409
		WSDB2730	\$1,429
	WSD3030.02	WSDB3030.02	\$1,466
	WSD3330.02	WSDB3330.02	\$1,509
WSD3630.02	WSDB3630.02	\$1,535	

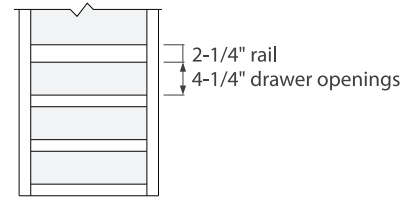
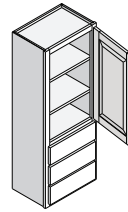


54" High	WSD1554L	WSD1554R	\$1,293
	WSD1854L	WSD1854R	\$1,334
	WSD2154L	WSD2154R	\$1,389
	WSD2454L	WSD2454R	\$1,467
		WSDB2454	\$1,638
		WSDB2754	\$1,665
	WSD3054.02	WSDB3054.02	\$1,697
	WSD3354.02	WSDB3354.02	\$1,764
	WSD3654.02	WSDB3654.02	\$1,814
57" High	WSD1557L	WSD1557R	\$1,329
	WSD1857L	WSD1857R	\$1,370
	WSD2157L	WSD2157R	\$1,424
	WSD2457L	WSD2457R	\$1,500
		WSDB2457	\$1,674
		WSDB2757	\$1,701
	WSD3057.02	WSDB3057.02	\$1,733
	WSD3357.02	WSDB3357.02	\$1,800
	WSD3657.02	WSDB3657.02	\$1,849
60" High	WSD1560L	WSD1560R	\$1,329
	WSD1860L	WSD1860R	\$1,370
	WSD2160L	WSD2160R	\$1,424
	WSD2460L	WSD2460R	\$1,500
		WSDB2460	\$1,674
		WSDB2760	\$1,701
	WSD3060.02	WSDB3060.02	\$1,733
	WSD3360.02	WSDB3360.02	\$1,800
	WSD3660.02	WSDB3660.02	\$1,849

**? Did You Know?**



Our Full Inset Cup, BF Cup and Euro FO hinges can be unclipped from the mounting plate without tools.



WDU1848R shown

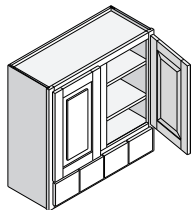
- Designed to set on counter. Finished ends included with cabinet. Order acknowledgment will show as broken down charge but when added to case cost will be equal to cost listed in the book.
- Cabinet height/Upper Cabinet: 48/30, 54/36 and 60/42
- Cabinets 27" wide and less will have 3 drawers.
- Cabinets 30" wide and greater will have 3 drawers side by side for a total of 6 drawers. This is to avoid racking of the drawer when opening.

48" H	WDU1548L	WDU1548R	\$2,194
	WDU1848L	WDU1848R	\$2,258
	WDU2148L	WDU2148R	\$2,433
	WDU2448L	WDU2448R	\$2,498
		WDUB2448	\$2,736
		WDUB2748	\$2,803
	WDU3048.06	WDUB3048.06	\$4,502
	WDU3348.06	WDUB3348.06	\$4,568
	WDU3648.06	WDUB3648.06	\$4,625
51" H	WDU1551L	WDU1551R	\$2,361
	WDU1851L	WDU1851R	\$2,440
	WDU2151L	WDU2151R	\$2,615
	WDU2451L	WDU2451R	\$2,681
		WDUB2451	\$2,919
		WDUB2751	\$2,982
	WDU3051.06	WDUB3051.06	\$4,836
	WDU3351.06	WDUB3351.06	\$4,902
	WDU3651.06	WDUB3651.06	\$4,969
54" H	WDU1554L	WDU1554R	\$2,361
	WDU1854L	WDU1854R	\$2,440
	WDU2154L	WDU2154R	\$2,615
	WDU2454L	WDU2454R	\$2,681
		WDUB2454	\$2,919
		WDUB2754	\$2,982
	WDU3054.06	WDUB3054.06	\$4,836
	WDU3354.06	WDUB3354.06	\$4,902
	WDU3654.06	WDUB3654.06	\$4,969

Wall Cabinets » Specialty » 57" H continued...

57" H	WDU1557L	WDU1557R	\$2,384
	WDU1857L	WDU1857R	\$2,567
	WDU2157L	WDU2157R	\$2,638
	WDU2457L	WDU2457R	\$2,704
		WDUB2457	\$2,939
		WDUB2757	\$3,008
	WDU3057.06	WDUB3057.06	\$4,889
	WDU3357.06	WDUB3357.06	\$4,955
	WDU3657.06	WDUB3657.06	\$5,019
	60" H	WDU1560L	WDU1560R
WDU1860L		WDU1860R	\$2,567
WDU2160L		WDU2160R	\$2,638
WDU2460L		WDU2460R	\$2,704
		WDUB2460	\$2,939
		WDUB2760	\$3,008
WDU3060.06		WDUB3060.06	\$4,889
WDU3360.06		WDUB3360.06	\$4,955
WDU3660.06		WDUB3660.06	\$5,019

Wall Pigeon Hole Drawers **WPHD**



Width	# Drawers
24	3
27/30/33	4
36/39	5

WPHD3030 shown

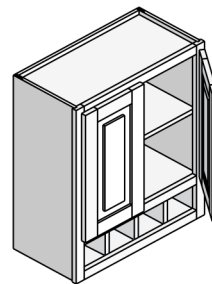
- Heights shown are overall cabinet heights.
- Drawers do not have tracks.
- Full Overlay consideration for elevation. Please specify if doors are to line up.
- There are mid stiles between the drawers so the openings are beaded on beaded inset orders.

30" High	WPHD2430L	WPHD2430R	\$1,665
		WPHDB2430	\$1,724
		WPHDB2730	\$1,788
	WPHD3030	WPHDB3030	\$1,891
	WPHD3330	WPHDB3330	\$2,007
	WPHD3630	WPHDB3630	\$2,027
	WPHD3930	WPHDB3930	\$2,050
36" High	WPHD2436L	WPHD2436R	\$1,672
		WPHDB2436	\$1,729
		WPHDB2736	\$1,928
	WPHD3036	WPHDB3036	\$1,947
	WPHD3336	WPHDB3336	\$2,065
	WPHD3636	WPHDB3636	\$2,104
	WPHD3936	WPHDB3936	\$2,149

Wall Cabinets » Specialty » 42" High continued...

42" High	WPHD2442L	WPHD2442R	\$1,871
		WPHDB2442	\$1,931
		WPHDB2742	\$2,171
	WPHD3042	WPHDB3042	\$2,200
	WPHD3342	WPHDB3342	\$2,314
	WPHD3642	WPHDB3642	\$2,341
	WPHD3942	WPHDB3942	\$2,450
48" High	WPHD2448L	WPHD2448R	\$1,890
		WPHDB2448	\$1,947
		WPHDB2748	\$2,193
	WPHD3048	WPHDB3048	\$2,224
	WPHD3348	WPHDB3348	\$2,362
	WPHD3648	WPHDB3648	\$2,412
	WPHD3948	WPHDB3948	\$2,526

Wall Pigeon Hole Cubbies **WPHC**



WPHC3030 shown

W	# Cubbies	Size (4-1/2"H)
24	4	4-11/16"W
27	4	5-7/16"W
30	5	4-3/4"W
33	5	5-3/8"W
36	6	4-7/8"W
39	6	5-3/8"W

- Heights shown are overall cabinet heights.

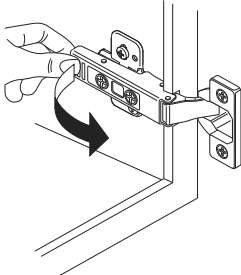
30" High	WPHC2430L	WPHC2430R	\$1,338
		WPHCB2430	\$1,398
		WPHCB2730	\$1,449
	WPHC3030	WPHCB3030	\$1,551
	WPHC3330	WPHCB3330	\$1,668
	WPHC3630	WPHCB3630	\$1,688
	WPHC3930	WPHCB3930	\$1,713
33" High	WPHC2433L	WPHC2433R	\$1,402
		WPHCB2433	\$1,529
		WPHCB2733	\$1,588
	WPHC3033	WPHCB3033	\$1,606
	WPHC3333	WPHCB3333	\$1,725
	WPHC3633	WPHCB3633	\$1,764
	WPHC3933	WPHCB3933	\$1,809

**Design Notes**

Actual opening size on tambour unit is 13-3/8"

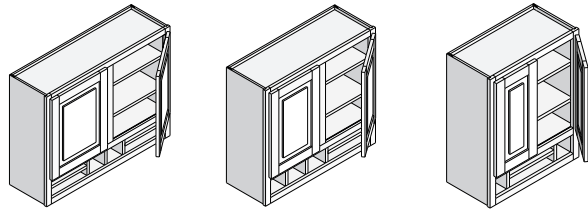
36" High	WPHC2436L	WPHC2436R	\$1,402
		WPHCB2436	\$1,529
		WPHCB2736	\$1,588
	WPHC3036	WPHCB3036	\$1,606
	WPHC3336	WPHCB3336	\$1,725
	WPHC3636	WPHCB3636	\$1,764
	WPHC3936	WPHCB3936	\$1,809
39" High	WPHC2439L	WPHC2439R	\$1,601
		WPHCB2439	\$1,768
		WPHCB2739	\$1,831
	WPHC3039	WPHCB3039	\$1,862
	WPHC3339	WPHCB3339	\$1,961
	WPHC3639	WPHCB3639	\$1,977
	WPHC3939	WPHCB3939	\$2,146
42" High	WPHC2442L	WPHC2442R	\$1,601
		WPHCB2442	\$1,768
		WPHCB2742	\$1,831
	WPHC3042	WPHCB3042	\$1,862
	WPHC3342	WPHCB3342	\$1,961
	WPHC3642	WPHCB3642	\$1,977
	WPHC3942	WPHCB3942	\$2,146
45" High	WPHC2445L	WPHC2445R	\$1,619
		WPHCB2445	\$1,788
		WPHCB2745	\$1,855
	WPHC3045	WPHCB3045	\$1,887
	WPHC3345	WPHCB3345	\$2,023
	WPHC3645	WPHCB3645	\$2,072
	WPHC3945	WPHCB3945	\$2,188
48" High	WPHC2448L	WPHC2448R	\$1,619
		WPHCB2448	\$1,788
		WPHCB2748	\$1,855
	WPHC3048	WPHCB3048	\$1,887
	WPHC3348	WPHCB3348	\$2,023
	WPHC3648	WPHCB3648	\$2,072
	WPHC3948	WPHCB3948	\$2,188

**? Did You Know?**



Our Full Inset Cup, BF Cup and Euro FO hinges can be unclipped from the mounting plate without tools.

Wall Pigeon Hole Organizer **WPH**



36/39" w      30/33" w      24/27" w

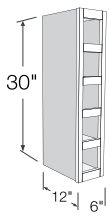
- Mail slots are 12" wide.
- Heights shown are overall cabinet heights.

30" High	WPH2430L	WPH2430R	\$1,338
		WPHB2430	\$1,398
		WPHB2730	\$1,449
	WPH3030	WPHB3030	\$1,551
	WPH3330	WPHB3330	\$1,668
	WPH3630	WPHB3630	\$1,688
	WPH3930	WPHB3930	\$1,713
33" High	WPH2433L	WPH2433R	\$1,338
		WPHB2433	\$1,398
		WPHB2733	\$1,449
	WPH3033	WPHB3033	\$1,551
	WPH3333	WPHB3333	\$1,668
	WPH3633	WPHB3633	\$1,688
	WPH3933	WPHB3933	\$1,713
36" High	WPH2436L	WPH2436R	\$1,402
		WPHB2436	\$1,529
		WPHB2736	\$1,588
	WPH3036	WPHB3036	\$1,606
	WPH3336	WPHB3336	\$1,725
	WPH3636	WPHB3636	\$1,764
	WPH3936	WPHB3936	\$1,809
39" High	WPH2439L	WPH2439R	\$1,402
		WPHB2439	\$1,529
		WPHB2739	\$1,588
	WPH3039	WPHB3039	\$1,606
	WPH3339	WPHB3339	\$1,725
	WPH3639	WPHB3639	\$1,764
	WPH3939	WPHB3939	\$1,809
42" high	WPH2442L	WPH2442R	\$1,601
		WPHB2442	\$1,768
		WPHB2742	\$1,831
	WPH3042	WPHB3042	\$1,862
	WPH3342	WPHB3342	\$1,961
	WPH3642	WPHB3642	\$1,977
	WPH3942	WPHB3942	\$2,146

Wall Cabinets » Specialty » 45" High continued...

45" High	WPH2445L	WPH2445R	\$1,601
		WPHB2445	\$1,619
		WPHB2745	\$1,831
	WPH3045	WPHB3045	\$1,862
	WPH3345	WPHB3345	\$1,961
	WPH3645	WPHB3645	\$1,977
	WPH3945	WPHB3945	\$2,146
48" High	WPH2448L	WPH2448R	\$1,619
		WPHB2448	\$1,788
		WPHB2748	\$1,855
	WPH3048	WPHB3048	\$1,887
	WPH3348	WPHB3348	\$2,023
	WPH3648	WPHB3648	\$2,072
	WPH3948	WPHB3948	\$2,188

Wall Pigeon Hole Vertical **WVPH**



**WVPH0630**  
shown

Opening heights:

SKU	# Open	Open Height
WVPH0630	5	4-5/16
WVPH0633	5	4-7/8
WVPH0639	6	4-3/8
WVPH0639	6	4-7/8
WVPH0642	7	4-3/8

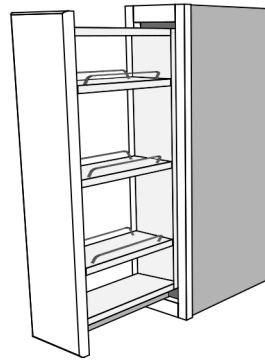
- Stiles are 7/8" wide.
- Remember to add for finished ends. Unfinished Ends will have exposed holes from screws that support dividers.

WVPH	WVPH0630	\$735
	WVPH0633	\$770
	WVPH0636	\$770
	WVPH0639	\$804
	WVPH0642	\$804

**Design Notes**

Actual opening size on tambour unit is 13-3/8"

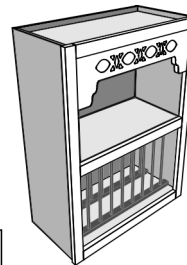
Wall Pullout Spice Unit **WPSU**



- Stiles are 7/8" wide on 6" wide cabinets and change to 1-1/2" stiles when the cabinet is more than 7-1/4" wide.
- May be accessed from either side.
- Shelves are adjustable.
- Maximum width is 9"
- The case may increase in depth, however, the pullout remains 10-3/8" D.
- Unit may not be cut down in depth.

WPSU	WPSU0630	\$1,055
	WPSU0930	\$1,055
	WPSU0633	\$1,222
	WPSU0933	\$1,222
	WPSU0636	\$1,222
	WPSU0936	\$1,222
	WPSU0639	\$1,237
	WPSU0939	\$1,237
	WPSU0642	\$1,237
	WPSU0942	\$1,237

Wall Plate Rack **WPR**



- Standard with EC Style Valance, you must specify if another type is desired.
- Wall Plate Racks come standard with finished interior.
- 12" opening standard on Plate Rack section.
- Butt Doors in Top Section - Add \$126 - Specify WPRB

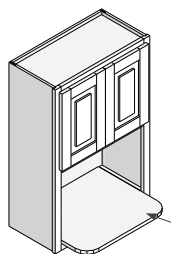
Cab. Width	# of Plates
24	8
27	10
30	12
33	12
36	14

30" High	WPR2430	\$2,053
	WPR2730	\$2,090
	WPR3030	\$2,127
	WPR3330	\$2,154
	WPR3630	\$2,215
33" High	WPR2433	\$2,417
	WPR2733	\$2,488
	WPR3033	\$2,488
	WPR3333	\$2,577
	WPR3633	\$2,577

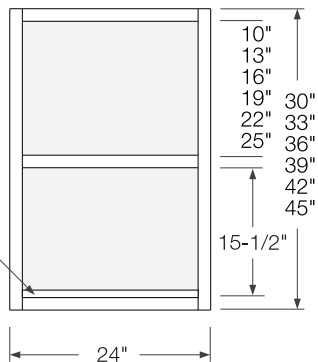
36" High	WPR2436	\$2,438
	WPR2736	\$2,488
	WPR3036	\$2,488
	WPR3336	\$2,577
	WPR3636	\$2,577
39" High	WPR2439	\$2,470
	WPR2739	\$2,682
	WPR3039	\$2,682
	WPR3339	\$2,773
	WPR3639	\$2,773
42" High	WPR2442	\$2,470
	WPR2742	\$2,682
	WPR3042	\$2,682
	WPR3342	\$2,773
	WPR3642	\$2,773

45" High	WMSB2445.12	\$1,265
	WMSB2745.12	\$1,305
	WMS3045.12	WMSB3045.12

**Wall Microwave w/Shelf WMS**



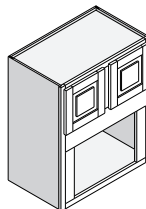
**NOTE**  
3/4" shelf.  
Remember to deduct from opening for appliance height



- Cabinet includes a trimmable 18" deep shelf.
- This shelf will reduce the height of the opening size by 3/4".
- All 12" deep microwave cabinets are standard with finished interior.

30" High	WMSB2430.12	\$963
	WMSB2730.12	\$1,003
	WMS3030.12	WMSB3030.12
33" High	WMSB2433.12	\$1,038
	WMSB2733.12	\$1,077
	WMS3033.12	WMSB3033.12
36" High	WMSB2436.12	\$1,038
	WMSB2736.12	\$1,077
	WMS3036.12	WMSB3036.12
39" High	WMSB2439.12	\$1,113
	WMSB2739.12	\$1,151
	WMS3039.12	WMSB3039.12
42" High	WMSB2442.12	\$1,113
	WMSB2742.12	\$1,151
	WMS3042.12	WMSB3042.12

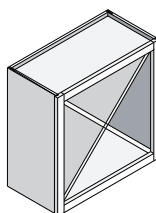
**Wall Microwave WMC**



- Maximum cutout is 1-1/2" less than cabinet width. Standard with 6" wide middle rail and 3" fillers left and right of the opening for a 15" H trimmable opening (Max 19-1/2" H field trim).
- 18" and 21" deep microwaves are not standard with finished interior.
- 36" H has 12" H top opening.
- 39" H has 15" H top opening.
- 42" H has 18" H top opening.
- 45" H has 21" H top opening.
- WMC\_Cutout Add: 20%
- FI\_WMC\_Cutout Add: 30%, Specify all dimensions and trim kit reveals required.

36" High	WMCB2736.18	\$1,106	
	WMCB2736.21	\$1,143	
	WMC3036.18	WMCB3036.18	\$1,201
39" High	WMCB2739.18	\$1,130	
	WMCB2739.21	\$1,186	
	WMC3039.18	WMCB3039.18	\$1,287
42" High	WMCB2742.18	\$1,167	
	WMCB2742.21	\$1,222	
	WMC3042.18	WMCB3042.18	\$1,348
45" High	WMCB2745.18	\$1,270	
	WMCB2745.21	\$1,328	
	WMC3045.18	WMCB3045.18	\$1,382
	WMC3045.21	WMCB3045.21	\$1,406

**Wall X Wine Rack WRX**

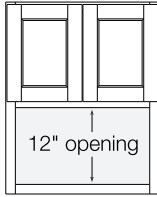
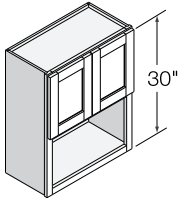


- Opening needs to remain square if the overall size is modified.
- Includes finished interior, 12" deep.

WRX	WRX1818	\$859
	WRX2121	\$929
	WRX2424	\$999
	WRX2727	\$1,142
	WRX3030	\$1,290

Wall Open Shelf

WOS




WOSB2430 shown

- 12" H opening at bottom is fixed.
- Cabinet includes finished interior.
- Add wine rack lattice to the bottom for an additional \$242 list.

30" High	WOS0930L	WOS0930R	\$698
	WOS1230L	WOS1230R	\$729
	WOS1530L	WOS1530R	\$783
	WOS1830L	WOS1830R	\$834
	WOS2130L	WOS2130R	\$894
	WOS2430L	WOS2430R	\$987
		WOSB2430	\$1,159
		WOSB2730	\$1,187
		WOSB3030	\$1,216
		WOSB3330	\$1,279
		WOSB3630	\$1,329
		WOSB3930	\$1,389
		WOSB4230	\$1,454
33" High	WOS0933L	WOS0933R	\$929
	WOS1233L	WOS1233R	\$942
	WOS1533L	WOS1533R	\$1,007
	WOS1833L	WOS1833R	\$1,077
	WOS2133L	WOS2133R	\$1,156
	WOS2433L	WOS2433R	\$1,256
		WOSB2433	\$1,333
		WOSB2733	\$1,420
		WOSB3033	\$1,563
		WOSB3333	\$1,618
		WOSB3633	\$1,654
		WOSB3933	\$1,844
		WOSB4233	\$1,877
	WOSB4533	\$1,950	
	WOSB4833	\$2,006	

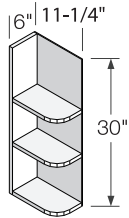
Wall Cabinets » Specialty » 36" High continued...

36" High	WOS0936L	WOS0936R	\$946
	WOS1236L	WOS1236R	\$963
	WOS1536L	WOS1536R	\$1,045
	WOS1836L	WOS1836R	\$1,101
	WOS2136L	WOS2136R	\$1,177
	WOS2436L	WOS2436R	\$1,280
		WOSB2436	\$1,333
		WOSB2736	\$1,420
		WOSB3036	\$1,563
		WOSB3336	\$1,618
		WOSB3636	\$1,654
		WOSB3936	\$1,844
		WOSB4236	\$1,877
39" High	WOS1239L	WOS1239R	\$963
	WOS1539L	WOS1539R	\$1,045
	WOS1839L	WOS1839R	\$1,101
	WOS2139L	WOS2139R	\$1,177
	WOS2439L	WOS2439R	\$1,280
		WOSB2439	\$1,370
		WOSB2739	\$1,479
		WOSB3039	\$1,575
		WOSB3339	\$1,681
		WOSB3639	\$1,747
		WOSB3939	\$1,904
		WOSB4239	\$2,102
		WOSB4539	\$2,281
42" High	WOS0942L	WOS0942R	\$946
	WOS1242L	WOS1242R	\$963
	WOS1542L	WOS1542R	\$1,045
	WOS1842L	WOS1842R	\$1,101
	WOS2142L	WOS2142R	\$1,177
	WOS2442L	WOS2442R	\$1,280
		WOSB2442	\$1,370
		WOSB2742	\$1,479
		WOSB3042	\$1,575
		WOSB3342	\$1,681
		WOSB3642	\$1,747
		WOSB3942	\$1,904
		WOSB4242	\$2,102
	WOSB4542	\$2,281	
	WOSB4842	\$2,517	

 **Design Notes**

Actual opening size on tambour unit is 13-3/8"

**What Not Shelf WNS**



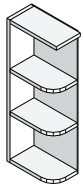
30"	3 openings	9-1/4" h
33"	3 openings	10-1/4"
36"	3 openings	11-1/4"
39"	4 openings	9"
42"	4 openings	9-3/4"

**WNS0630L shown**

- 11-1/4" D to be tucked behind the ear of a wall cabinet.
- Side landing into cabinets has a 3/16" panel and tucks behind cabinet ear.
- 3/4" frameless construction.

WNS	WNS0630L	WNS0630R	\$328
	WNS0633L	WNS0633R	\$328
	WNS0636L	WNS0636R	\$418
	WNS0639L	WNS0639R	\$426
	WNS0642L	WNS0642R	\$426

**What Not Shelf w/SQH WNS**



30"	3 openings	9" h
33"	3 openings	10"
36"	3 openings	11"
39"	4 openings	8-13/16"
42"	4 openings	9-9/16"

**WNS0630L-W/SQH shown**

- 11-1/4" D to be tucked behind the ear of a wall cabinet.
- Side landing into cabinets has a 3/16" panel and tucks behind cabinet ear.
- 3/4" frameless construction.
- Square header used to land crown.
- Please specify if you require a square bottom shelf.

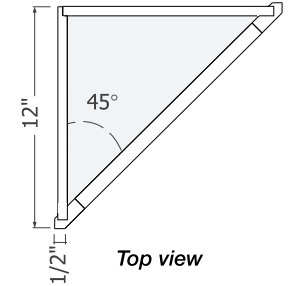
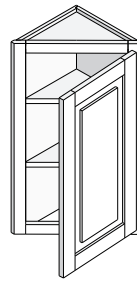
WNS	WNS0630L-W/SQH	WNS0630R-W/SQH	\$404
	WNS0633L-W/SQH	WNS0633R-W/SQH	\$410
	WNS0636L-W/SQH	WNS0636R-W/SQH	\$496
	WNS0639L-W/SQH	WNS0639R-W/SQH	\$507
	WNS0642L-W/SQH	WNS0642R-W/SQH	\$507



**Did You Know?**

You can now enter orders on-line. Go to <http://extranet.candlelightcab.net> and click on the Easy Price tab.

**Wall End Diagonal WED**

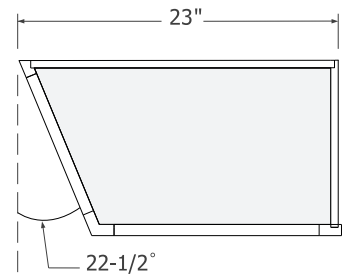
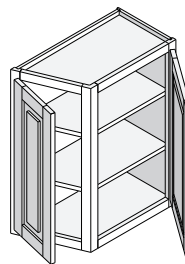


**WED1230R shown**

- 45 degrees.
- Flush Finished ends are not available.
- FI-Wainscote is not available.

Wall End Diagonal	WED1230L	WED1230R	\$833
	WED1233L	WED1233R	\$840
	WED1236L	WED1236R	\$849
	WED1239L	WED1239R	\$855
	WED1242L	WED1242R	\$860

**Wall Angle End WAE**



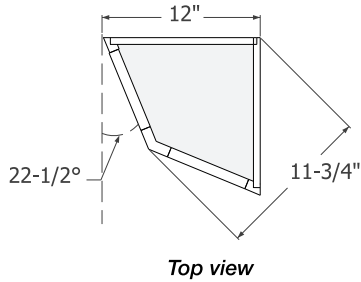
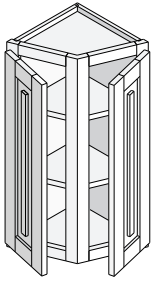
**WAE2330L shown**

- FI-Wainscote is not available.

WAE	WAE2330L	WAE2330R	\$1,443
	WAE2333L	WAE2333R	\$1,486
	WAE2336L	WAE2336R	\$1,486
	WAE2339L	WAE2339R	\$1,510
	WAE2342L	WAE2342R	\$1,510

Wall End Corner

WEC



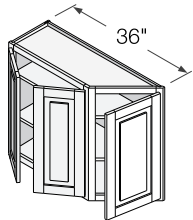
WEC1230L shown

- This cabinet has the same angles as BAE24.
- Flush Finished ends are not available.
- FI-Wainscote is not available.

WEC	WEC1230L	WEC1230R	\$976
	WEC1233L	WEC1233R	\$976
	WEC1236L	WEC1236R	\$976
	WEC1239L	WEC1239R	\$1,005
	WEC1242L	WEC1242R	\$1,005

Wall + Wall End Diagonal 12

W



WB3630WED12 R

- L or R designates the location of the angled frame.
- FI-Wainscote is not available.
- Door on angled frame will be hinged on side against wall.
- Door on standard wall cabinet section will be hinged opposite.
- 36" to 48" cabinets will have butt doors on the standard wall cabinet section.

30" High	W2430WED12L	W2430WED12R	\$1,128
	W2730WED12L	W2730WED12R	\$1,170
	W3030WED12L	W3030WED12R	\$1,209
	W3330WED12L	W3330WED12R	\$1,252
	WB3630WED12L	WB3630WED12R	\$1,448
	WB3930WED12L	WB3930WED12R	\$1,470
	WB4230WED12L	WB4230WED12R	\$1,490
	WB4530WED12L	WB4530WED12R	\$1,538
	WB4830WED12L	WB4830WED12R	\$1,573
33" High	W2433WED12L	W2433WED12R	\$1,545
	W2733WED12L	W2733WED12R	\$1,594
	W3033WED12L	W3033WED12R	\$1,646
	W3333WED12L	W3333WED12R	\$1,703
	WB3633WED12L	WB3633WED12R	\$1,945
	WB3933WED12L	WB3933WED12R	\$1,969
	WB4233WED12L	WB4233WED12R	\$2,005
	WB4533WED12L	WB4533WED12R	\$2,046
	WB4833WED12L	WB4833WED12R	\$2,072

Wall Cabinets » End of the Run » 36" High continued...


36" High	W2436WED12L	W2436WED12R	\$1,545
	W2736WED12L	W2736WED12R	\$1,594
	W3036WED12L	W3036WED12R	\$1,646
	W3336WED12L	W3336WED12R	\$1,703
	WB3636WED12L	WB3636WED12R	\$1,945
	WB3936WED12L	WB3936WED12R	\$1,969
	WB4236WED12L	WB4236WED12R	\$2,005
	WB4536WED12L	WB4536WED12R	\$2,046
	WB4836WED12L	WB4836WED12R	\$2,072
39" High	W2439WED12L	W2439WED12R	\$1,572
	W2739WED12L	W2739WED12R	\$1,634
	W3039WED12L	W3039WED12R	\$1,676
	W3339WED12L	W3339WED12R	\$1,733
	WB3639WED12L	WB3639WED12R	\$1,977
	WB3939WED12L	WB3939WED12R	\$2,006
	WB4239WED12L	WB4239WED12R	\$2,039
	WB4539WED12L	WB4539WED12R	\$2,106
	WB4839WED12L	WB4839WED12R	\$2,155
42" High	W2442WED12L	W2442WED12R	\$1,572
	W2742WED12L	W2742WED12R	\$1,634
	W3042WED12L	W3042WED12R	\$1,676
	W3342WED12L	W3342WED12R	\$1,733
	WB3642WED12L	WB3642WED12R	\$1,977
	WB3942WED12L	WB3942WED12R	\$2,006
	WB4242WED12L	WB4242WED12R	\$2,039
	WB4542WED12L	WB4542WED12R	\$2,106
	WB4842WED12L	WB4842WED12R	\$2,155

? Did You Know?

You can now enter orders on-line. Go to <http://extranet.candlelightcab.net> and click on the Easy Price tab.



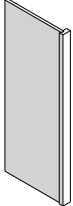
**Wall End Panel 3/4"** **WWEP**



- Panels include finished end both.
- Panel is 12" deep.

<b>WWEP75</b>	WWEP7530	\$113
	WWEP7533	\$117
	WWEP7536	\$127
	WWEP7539	\$133
	WWEP7542	\$138

**Wall End Panel** **WEP**



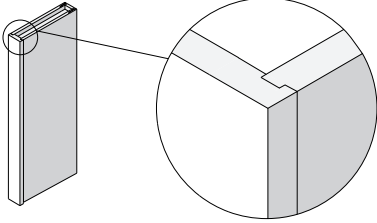
- Panel is 12" deep.
- L or R designates panel on Left or Right side (Finished), must add for flush end.
- Make WEP finished both sides, add additional finished end charge.
- When adding fluting (i.e., w/FL please specify style A or B) add \$119 charge. 3" wide only.

<b>WEP</b>	WEP1530L	WEP1530R	\$116
	WEP0330L	WEP0330R	\$124
	WEP1533L	WEP1533R	\$130
	WEP0333L	WEP0333R	\$147
	WEP1536L	WEP1536R	\$130
	WEP0336L	WEP0336R	\$147
	WEP1539L	WEP1539R	\$142
	WEP0339L	WEP0339R	\$173
	WEP0342L	WEP0342R	\$173
	WEP1542L	WEP1542R	\$142

**? Did You Know?**

Your acknowledgement is posted on the extranet in PDF format. Go to <http://extranet.candlelightcab.net> and click on the orders tab.

**Wall End Box** **WEB**



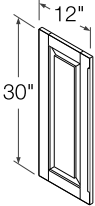
- Box is 12" deep.
- Can be ordered with frame on end mod or integrated designer panel.
- Includes flush finished end both. Cost of box can be reduced if flush end not needed please specify when ordering.
- When adding fluting (i.e., w/FL please specify style A or B) add \$119 charge.

WEB0330	\$663
WEB0630	\$746
WEB0333	\$714
WEB0633	\$746
WEB0336	\$714
WEB0636	\$746
WEB0339	\$714
WEB0639	\$746
WEB0342	\$714
WEB0642	\$746

**? Did You Know?**

You can now enter orders on-line. Go to <http://extranet.candlelightcab.net> and click on the Easy Price tab.

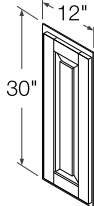
**Designer WEP Mortise & Tenon DWEP**



- Mortise and Tenon 3/4" will have square edges. Please specify side to have profile added.
- Add 50% to increase up to 24" over all in width.
- DWEP's over 48" high will be a double panel door.

DWEP1212	\$111
DWEP1214	\$127
DWEP1215	\$137
DWEP1217	\$155
DWEP1218	\$165
DWEP1220	\$181
DWEP1221	\$193
DWEP1223	\$210
DWEP1224	\$219
DWEP1226	\$237
DWEP1227	\$247
DWEP1230	\$274
DWEP1233	\$302
DWEP1236	\$329
DWEP1239	\$329
DWEP1242	\$384
DWEP1248	\$391
DWEP1251	\$407
DWEP1254	\$422
DWEP1260	\$438

**Designer Wall End Panel Skin DWEPS**



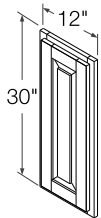
- The 3/16" skin will flush out the side of the cabinet that it is being added to. The door will be positioned on it in relation to which side it will be going on.
- Typically used with mitered style doors.
- DWEPS's over 48" high will be a double panel door.

DWEPS1212	\$189
DWEPS1214	\$208
DWEPS1215	\$215
DWEPS1217	\$233
DWEPS1218	\$250
DWEPS1220	\$268
DWEPS1221	\$277
DWEPS1223	\$296
DWEPS1224	\$321
DWEPS1226	\$338
DWEPS1227	\$349
DWEPS1230	\$391
DWEPS1233	\$418
DWEPS1236	\$445
DWEPS1239	\$504
DWEPS1242	\$531
DWEPS1248	\$536
DWEPS1251	\$557
DWEPS1254	\$580
DWEPS1260	\$595

**? Did You Know?**

Your acknowledgement is posted on the extranet in PDF format. Go to <http://extranet.candlelightcab.net> and click on the orders tab.

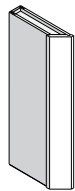
**Designer Wall End Panel Frame DWEPF**



- Door will mounted on a frame. We recommend frame on end modification for the best look.
- DWEPF's over 48" high will be a double panel door.

DWEPF	DWEPF1212	\$262
	DWEPF1214	\$280
	DWEPF1215	\$287
	DWEPF1217	\$307
	DWEPF1218	\$336
	DWEPF1220	\$356
	DWEPF1221	\$364
	DWEPF1223	\$381
	DWEPF1224	\$421
	DWEPF1226	\$441
	DWEPF1227	\$448
	DWEPF1230	\$492
	DWEPF1233	\$519
	DWEPF1236	\$529
	DWEPF1239	\$536
	DWEPF1242	\$544
	DWEPF1248	\$598
	DWEPF1251	\$650
	DWEPF1254	\$702
DWEPF1260	\$753	

**Clipped Wall End Box CWEB**



*CWEB0330L shown*

- When adding fluting (i.e., w/FL please specify style A or B) add \$119 charge.
- Unit is 3-1/2" wide for 3" and 6-1/2" wide for 6".
- Includes finished end on 9" deep side 3" clip.
- Includes finished end on 6" deep side 6" clip.

CWEB	CWEB0330L	CWEB0330R	\$499
	CWEB0630L	CWEB0630R	\$557
	CWEB0333L	CWEB0333R	\$566
	CWEB0633L	CWEB0633R	\$625
	CWEB0336L	CWEB0336R	\$566
	CWEB0636L	CWEB0636R	\$625
	CWEB0339L	CWEB0339R	\$635
	CWEB0639L	CWEB0639R	\$712
	CWEB0342L	CWEB0342R	\$635
	CWEB0642L	CWEB0642R	\$712

Wall Fillers **WF**



- When adding fluting (i.e., w/FL, please specify style A or B) add \$119 charge.
- Fillers are made of 3/4" solid stock.

3" W	WF0330	\$56
	WF0333	\$61
	WF0336	\$67
	WF0339	\$73
	WF0342	\$79
	WF0348	\$91
	WF0351	\$96
	WF0354	\$101
6" W	WF0360	\$114
	WF0630	\$99
	WF0633	\$111
	WF0636	\$120
	WF0639	\$129
	WF0642	\$141
	WF0648	\$160
	WF0651	\$151
	WF0654	\$180
	WF0660	\$201

Wall Filler Overlay **WFO**



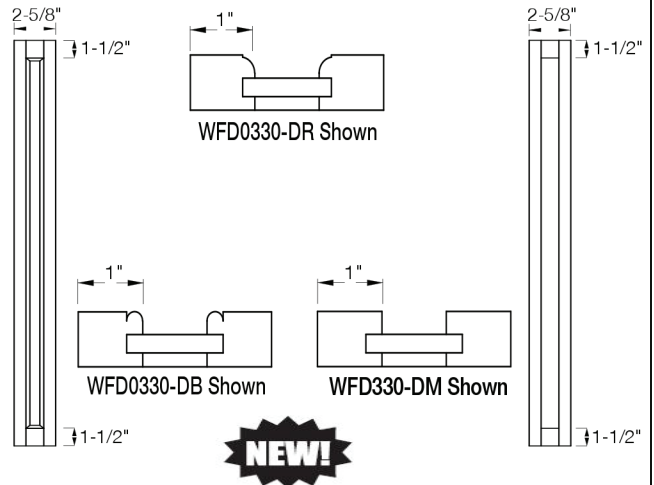
- Wall filler overlays will be a 3/4" slab drawer head with a matching edge profile.
- When adding fluting i.e., w/FL please specify style A or B and add \$119 charge.
- Intended and sized for full overlay orders.

3" W	WFO0330	\$92
	WFO0333	\$119
	WFO0336	\$119
	WFO0339	\$123
	WFO0342	\$123
	WFO0348	\$156
	WFO0351	\$167
	WFO0354	\$176
	WFO0360	\$195

Wall Cabinets » Fillers » 6" W continued...

6" W	WFO0630	\$120
	WFO0633	\$147
	WFO0636	\$147
	WFO0639	\$149
	WFO0642	\$149
	WFO0648	\$197
	WFO0651	\$209
	WFO0654	\$220
WFO0660	\$246	

Wall Filler Decor' Overlay



- Intended and sized for full overlay orders. So if ordered for a 30" high wall cabinet the SKU will be 29-1/4".
- Please see profiles in above image, these are the only profiles available.

DR	WFD0330-DR	\$120
	WFD0333-DR	\$155
	WFD0336-DR	\$155
	WFD0339-DR	\$160
	WFD0342-DR	\$160
	WFD0348-DR	\$203
	WFD0351-DR	\$216
	WFD0354-DR	\$229
DB	WFD0360-DR	\$253
	WFD0330-DB	\$120
	WFD0333-DB	\$155
	WFD0336-DB	\$155
	WFD0339-DB	\$160
	WFD0342-DB	\$160
	WFD0348-DB	\$203
	WFD0351-DB	\$216
	WFD0354-DB	\$229
	WFD0360-DB	\$253

DM	WFD0330-DM	\$120
	WFD0333-DM	\$155
	WFD0336-DM	\$155
	WFD0339-DM	\$160
	WFD0342-DM	\$160
	WFD0348-DM	\$203
	WFD0351-DM	\$216
	WFD0354-DM	\$229
	WFD0360-DM	\$253

**Wall Corner Filler WCF**



- Fillers are made of 3/4" solid stock.

WCF33	WCF3330	\$118
	WCF3333	\$147
	WCF3336	\$147
	WCF3339	\$179
	WCF3342	\$179
	WCF3348	\$197
	WCF3351	\$209
	WCF3354	\$220
	WCF3360	\$246

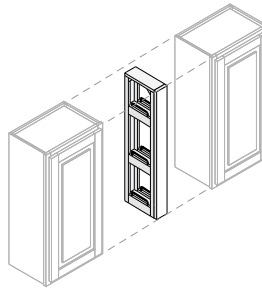
**Wall Angled Filler WAF**



- When adding fluting (i.e., w/FL please specify style A or B) add \$119 charge.

WAF	WAF0330L	WAF0330R	\$170
	WAF0333L	WAF0333R	\$174
	WAF0336L	WAF0336R	\$174
	WAF0339L	WAF0339R	\$178
	WAF0342L	WAF0342R	\$178
	WAF0348L	WAF0348R	\$231
	WAF0351L	WAF0351R	\$246
	WAF0354L	WAF0354R	\$261
	WAF0360L	WAF0360R	\$290

**Wall Spice Unit WFSU**



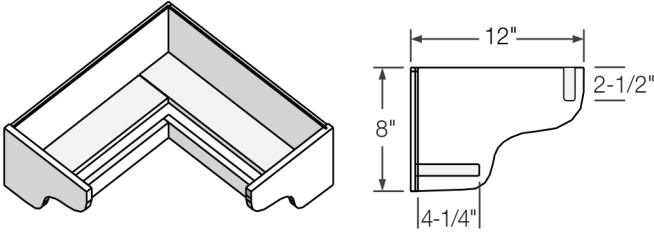
- Includes a 2-7/8" wide filler on the 3" unit.
- Includes a 5-7/8" wide filler on the 6" unit. May be 5 pc depending on door style.
- Please add for fluting or order separate overlay filler, or other onlay item. Unit with filler will be installed as 12" depth.
- Spice unit remains 30" H on all units, only filler height changes. Units require build-out from adjacent cabinet side.

WFSU	WFSU0330	\$556
	WFSU0630	\$694
	WFSU0336	\$569
	WFSU0636	\$714
	WFSU0339	\$578
	WFSU0639	\$719
	WFSU0342	\$589
	WFSU0642	\$732

**? Did You Know?**

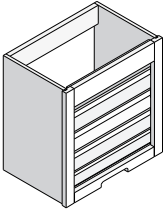
Your acknowledgement is posted on the extranet in PDF format. Go to <http://extranet.candlelightcab.net> and click on the orders tab.

### Under Cabinet Shelf UCS



UCS12	\$299
UCS15	\$312
UCS18	\$326
UCS21	\$338
UCS24	\$354
UCS27	\$366
UCS30	\$380
UCS33	\$392
UCS36	\$406

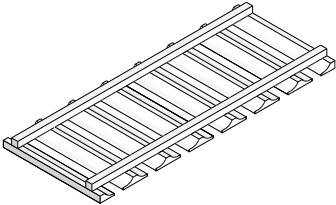
### Tambour Unit 18-1/2 TU



- Designed to set on counter, no bottom. Finished ends included with cabinet. Order acknowledgment will show as broken down charge but when added to case cost will be equal to cost listed in the book.
- Backer is 3" H.
- This unit is trimmable up to 2" in height.

TU18	\$561
TU21	\$585
TU24	\$608
TU27	\$623
TU30	\$676
TU33	\$731
TU36	\$814

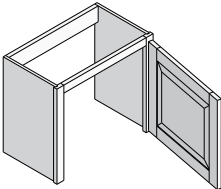
### Stemglass Holder SGH



- Not Available in Walnut Oak will be substituted in its place
- Width/Slots- 18/4, 24/5, 30/6, 36/8.
- Sized to fit interior of cabinet if using on the exterior please specify for sizing purposes

SGH18	\$162
SGH24	\$172
SGH30	\$180
SGH36	\$217

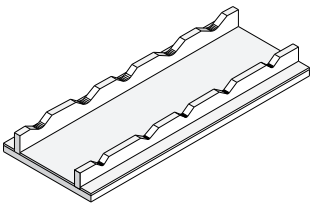
### Appliance Garage AG



- Designed to set on counter, no bottom. Finished ends included with cabinet. Order acknowledgment will show as broken down charge but when added to case cost will be equal to cost listed in the book.
- Backer is 3" H.
- Unit is 18" H and not trimmable.

AG18L	AG18R	\$653
AG21L	AG21R	\$682
AG24L	AG24R	\$705
	AGB27	\$728
	AGB30	\$805
	AGB33	\$830
	AGB36	\$854

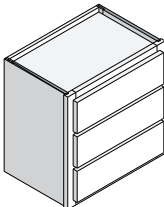
### Wine Shelf WS



- Width/Slots- 24/4, 30/5, 36/6.
- Please specify if WS needs to be sized for interior of cabinet. If not these will come 24,30,36 inches wide O.A. and they are all 12 inches deep O.A. These are made for exterior of cabinet use.

WS24	\$335
WS30	\$347
WS36	\$367

### Drawer Unit DU



- Designed to set on counter, no bottom. Finished ends included with cabinet. Order acknowledgment will show as broken down charge but when added to case cost will be equal to cost listed in the book.
- Includes 10" D Drawer Boxes with Soft-close.
- Unit is 18" H and not trimmable.

DU15	\$1,197
DU18	\$1,225

### Pigeon Hole Cubbies Unit PHC

- 3/4" frameless construction.
- Pigeon holes are equal width per unit.
- Includes finished ends.

PHC	PHC24	\$674
	PHC27	\$705
	PHC30	\$705
	PHC33	\$779
	PHC36	\$779
	PHC39	\$779

### Pigeon Hole Organizer Unit PH

- Mail slots are 12" wide.
- 3/4" frameless construction.
- Pigeon holes are equal width per unit.
- Includes finished ends.

PH	PH24	\$674
	PH27	\$705
	PH30	\$705
	PH33	\$779
	PH36	\$779
	PH39	\$779

### Drawer Unit Diagonal DUD

- Will have a 17" wide face frame.
- Includes finished ends.
- Unit is 18" H and not trimmable.

DUD24	\$1,480
-------	---------

### Tambour Unit Diagonal 18-1/2" TUD

- Designed to set on counter, no bottom. Finished ends included with cabinet. Order acknowledgment will show as broken down charge but when added to case cost will be equal to cost listed in the book.
- This unit is trimmable up to 2" in height.

TUD	TUD21	\$471
	TUD24	\$473
	TUD27	\$621
	TUD27.15	\$652

### Appliance Garage Diagonal AGD

- Designed to set on counter, no bottom. Finished ends included with cabinet. Order acknowledgment will show as broken down charge but when added to case cost will be equal to cost listed in the book.
- Unit is 18" H and not trimmable.

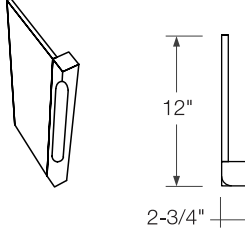
AGD	AGD24L	AGD24R	\$547
	AGD27.15L	AGD27.15R	\$652

### Wall Corner Post Loose LWCP

- OR and AC style available. Specify when ordering.
- Available in Hard Maple (paint), Cherry, Walnut and Red Oak. Available in Alder as a substitute for Red Birch.
- 2-3/4" wide, 36" high same price as 42".
- Non-standard heights must be custom quoted.

LWCP	LWCP0330	\$633
	LWCP0336	\$827
	LWCP0342	\$827

### Wall Corner Post w/ Return WCP

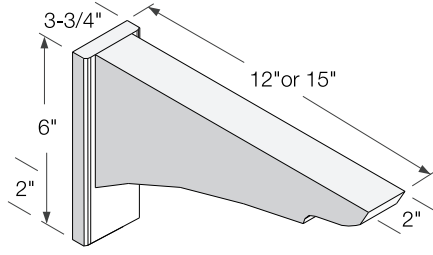


*WCP0334L shown*

- OR and AC style available. Specify when ordering.
- Available in Hard Maple (paint), Cherry, Walnut and Red Oak. Available in Alder as a substitute for Red Birch.
- Standard finished 1 side - N/C (1/4" ear).
- Three other finished end options are available; Flush Finish (add \$335); Frame On End -not active (add \$577) and Integrated Designer Panel (add \$811).
- Non-standard heights must be custom quoted.

WCP	WCP0330L	WCP0330R	\$695
	WCP0336L	WCP0336R	\$890
	WCP0342L	WCP0342R	\$890

### Under Cabinet Dec. Bracket UCDB



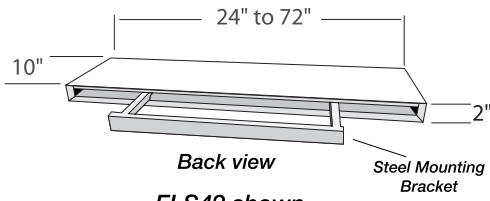
- As a standard this bracket will come with the H-2 lip along both sides. C-2, PRS-2, B-2 and L-149 lips are also available when specified.

	UCDB12	\$212
	UCDB15	\$232

**? Did You Know?**

Your acknowledgement is posted on the extranet in PDF format. Go to <http://extranet.candlelightcab.net> and click on the orders tab.

### Floating Shelves FLS

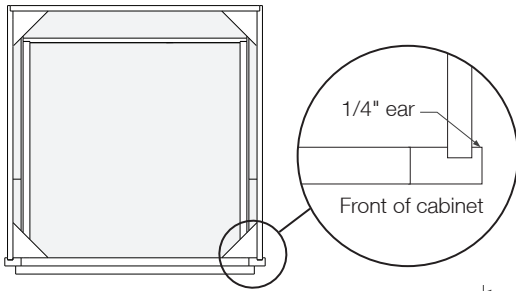


*FLS42 shown*

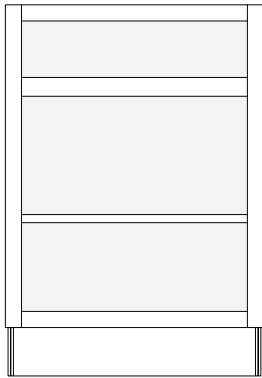
- Available in 1/16" increments from 24 to 72" wide. Height and depth is fixed.
- Available in standard finishes, Veneer and Modern Elegance Foil colors.
- Shelves up to 48" will include a 20" steel mounting bracket. Shelves 48" to 72" will include a 40" steel mounting bracket.
- Max load weight for included steel mounting bracket is 10 lbs per lineal foot.
- We recommend securing the steel mounting bracket to the wall and then securing the shelf to the bracket.
- Not available in Red Birch, Alder can be substituted but may not be a perfect match.

	to 36	FLS36		\$590
		RTF-FLS36		\$683
		RTF-FLS36-GLOSS		\$831
	to 48	FLS48		\$786
		RTF-FLS48		\$912
		RTF-FLS48-GLOSS		\$1,110
	to 60	FLS60		\$982
		RTF-FLS60		\$1,141
		RTF-FLS60-GLOSS		\$1,386
	to 72	FLS72		\$1,179
		RTF-FLS72		\$1,369
		RTF-FLS72-GLOSS		\$1,664

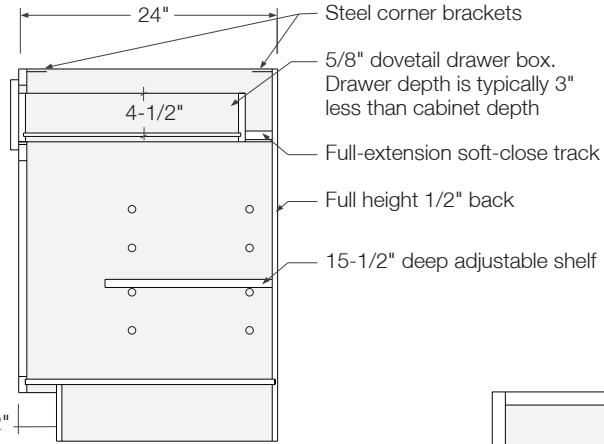
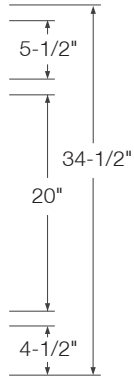




Top view of B24

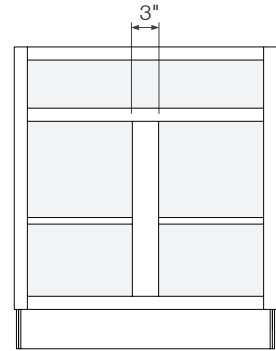


Front view of B24



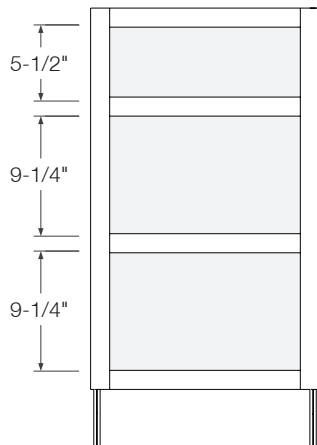
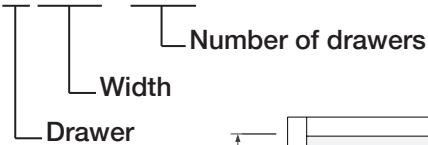
Side sectional elevation of B24

**BBXX L or R**

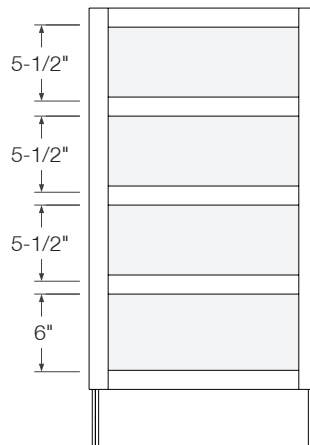


Front view of B30

**BDXX.OY**



Front view of BD18.03



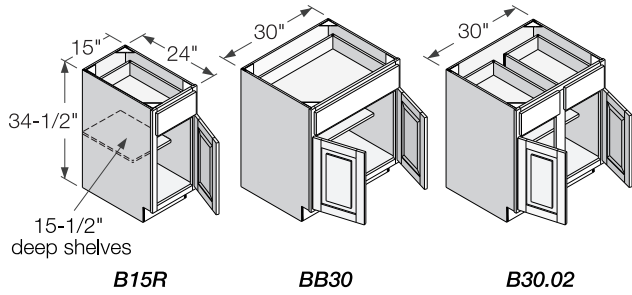
Front view of BD18.04

• Note: Toe area is unfinished. Order MTK (matching toe kick)

Asymmetrical Easy Reach	BERA	9.10	Base Full Height	BFH	9.1
Bar Full Height	BARFH	9.2	Base Gourmet Pantry	BGP	9.13
Base 1 Deep and 2 shallow	BD2S	9.7	Base Ironing Board	BIB	9.13
Base 1/2 Table Leg End	TLBHS	9.18	Base Lazy Susan	LS	9.11
Base 1/4 Table Leg End	TLBQS	9.18	Base Lazy Susan Diagonal	LSD	9.11
Base 2 Deep Drawers	B2DD	9.7	Base Lazy Susan End Panel	LS-EP	9.12
Base 2 Deep Drawers Rollout Top	B2DDRT	9.8	Base Microwave Cabinet	BMC	9.6
Base 2 Deep Utensil Canister	B2DUC	9.14	Base Mixer Cabinet	BMX	9.13
Base 2 Deep and 2 Shallow	B2D2S	9.7	Base Open Basket Cabinet	BOBC	9.15
Base 2 Drawer Top	B2DT	9.7	Base Organizer Rollout	BOR	9.16
Base 3 Drawer	BD_03	9.7	Base Outside Angle 135	BOA	9.12
Base 3 Drawer Reverse	BDR	9.8	Base Oven Cabinet	BOC	9.6
Base 4 Drawer	BD_04	9.8	Base Pantry Roll-out	BPR	9.14
Base 6 Shallow	B6SD	9.8	Base Peninsula Blind Corner	PBC	9.11
Base Accessory Convenience	BAC	9.8	Base Pigeon Hole	BPH	9.15
Base Angle 135	BAZ	9.12	Base Pigeon Hole Drawer	BPHD	9.15
Base Angle End 24"	BAE	9.17	Base Pullout Spice Unit	BPSU	9.15
Base Angle Triple Face	BAT	9.17	Base Recycle Bin	BRB	9.13
Base Angled Filler	BAF	9.22	Base Suzy Q Lazy Susan	LSQ	9.12
Base Buffet	BUF	9.13	Base Top Deep Drawer	BTD	9.8
Base Cabinet Window Seat	BCW	9.15	Base Waste Basket	BW	9.14
Base Corner	BC	9.10	Base Wine Cellar	BWC	9.15
Base Corner FH	BCFH	9.11	Base X Wine Rack	BWRX	9.15
Base Corner Filler	BCF	9.22	Base and Diagonal End 12"	B_DE12	9.18
Base Corner Post Loose	LBCP	9.25	Base and Diagonal End Frame 12"	B_DEF12	9.17
Base Corner Post w/Return	BCP	9.25	Classic Knee Bracket	CKB	9.23
Base Corner w/LS	BC_w/LS	9.10	Clipped Base End Box	CBEB	9.19
Base Corner w/SOU	BC_w/SOU	9.11	Column 6"	COL	9.23
Base Cottage Island	BCI	9.16	Deep Range Base	DRB	9.6
Base Decorative Bin	BIN	9.15	Designer BEP Mortise & Tenon	DBEP	9.20
Base Diagonal End	BDEB	9.17	Designer Base End Panel Frame	DBEPF	9.21
Base Diagonal End 12-1/2"	BDE	9.18	Designer Base End Panel Skin	DBEPS	9.20
Base Diagonal End Frame 12-1/2"	BDEF	9.18	Diagonal Sink Base	DSB	9.5
Base Door and Drawer	B	9.1	Dishwasher Drawer 24	FP	9.6
Base Easy Reach	BER	9.9	Dishwasher Drawer 27 Top	FPT	9.6
Base Easy Reach Dia Drawer	BERDD	9.12	Dishwasher Front Designer Panel	DWF	9.25
Base Easy Reach Diagonal	BERD	9.10	FB Bracket	BRK-FB	9.23
Base Easy Reach Space Corner	BERSC	9.12	Farmer Sink Base	FSB	9.4
Base Easy Reach W/ Top Drawer	BERTD	9.9	Four Sided Post	FSP	9.24
Base End Box	BEB	9.19	Island Cap	IC	9.26
Base End Panel	BEP	9.19	Island Cap Pilaster	ICPP	9.26
Base End Panel 3/4"	BEP	9.19	Island Cap Pilaster X		9.26
Base End Shelves	BQS/BHS	9.17	Island Cap Table Leg	ICTL	9.26
Base FH Utensil Canister	BFHUC	9.14	Knee Brackets	KB	9.23
Base FH Waste Basket	BWFH	9.14	Mini Knee Bracket	MKB	9.23
Base Filler Decor' Overlay		9.22	Pen Base Corner Post w/Return	PBCP	9.25
Base Filler Overlay	BFO	9.22	Peninsula Base	PB	9.2
Base Filler Spice Unit	BFSU	9.22	Peninsula Base End Box	PBEB	9.19
Base Fillers	BF	9.22	Recessed Diagonal Sink Base	RDSB	9.5

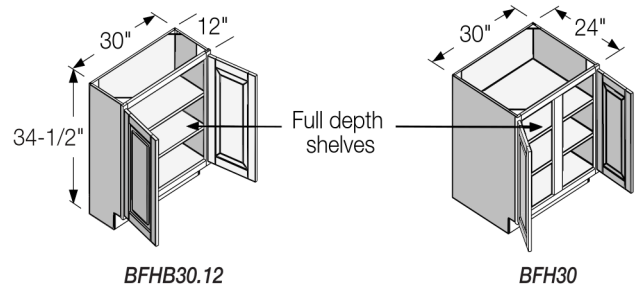
Simple Bracket	SBKT	9.23
Sink Base	SB	9.4
Sink Base Angled	SBA	9.5
Sink Base Reverse	SBR	9.4
Sink Front	SF	9.5
Sink Front Diagonal	SFD	9.6
Snack Bar End Post	SEP	9.25
Thick Knee Bracket	TKB	9.23
Thick Knee Bracket Colonial	TKBC	9.23

**Base Door and Drawer B**



FHD	B06L <sup>5</sup>	B06R <sup>5</sup>	\$667
	B09L <sup>6</sup>	B09R <sup>6</sup>	\$788
Door and Drawer	B12L	B12R	\$880
	B15L	B15R	\$906
	B18L	B18R	\$955
	B21L	B21R	\$995
	B24L	B24R	\$1,037
		BB24	\$1,238
		BB27	\$1,287
	B30	BB30	\$1,317
	B33	BB33	\$1,342
	B36	BB36	\$1,366
2 Drawer	B30.02	BB30.02	\$1,457
	B33.02	BB33.02	\$1,495
	B36.02	BB36.02	\$1,532
	B39.02	BB39.02	\$1,555
	B42.02		\$1,609
	B45.02		\$1,649
	B48.02		\$1,698

**Base Full Height BFH**



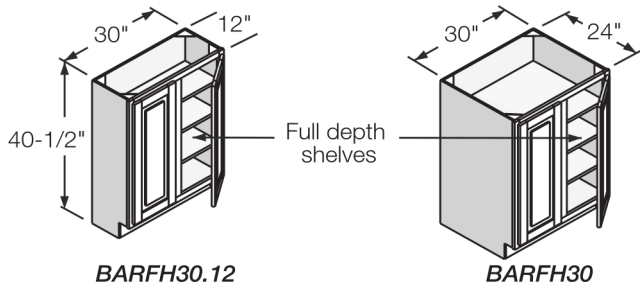
12" Deep	BFH09.12L	BFH09.12R	\$670
	BFH12.12L	BFH12.12R	\$739
	BFH15.12L	BFH15.12R	\$770
	BFH18.12L	BFH18.12R	\$816
	BFH21.12L	BFH21.12R	\$855
	BFH24.12L	BFH24.12R	\$898
		BFHB24.12	\$1,101
		BFHB27.12	\$1,145
	BFH30.12	BFHB30.12	\$1,177
	BFH33.12	BFHB33.12	\$1,207
	BFH36.12	BFHB36.12	\$1,287
	BFH39.12	BFHB39.12	\$1,309
	BFH42.12		\$1,362
	BFH45.12		\$1,402
	BFH48.12		\$1,447
24" Deep	BFH09L	BFH09R	\$670
	BFH12L	BFH12R	\$739
	BFH15L	BFH15R	\$770
	BFH18L	BFH18R	\$816
	BFH21L	BFH21R	\$855
	BFH24L	BFH24R	\$898
		BFHB24	\$1,101
		BFHB27	\$1,145
	BFH30	BFHB30	\$1,177
	BFH33	BFHB33	\$1,207
	BFH36	BFHB36	\$1,287
	BFH39	BFHB39	\$1,309
BFH42		\$1,362	
BFH45		\$1,402	
BFH48		\$1,447	

**Design Notes**

Rollout trays have 5/8" sides and backs. The width of the rollout is different for inset and overlay hinges. Inset hinges deduct 1-1/4" from each hinge side. Overlay hinges deduct 5/8" from each hinge side. From an unhinged side deduct 3/16". For example: Inset B24L, the rollout is 24 - 3 - 1-1/4 - 3/16 = 19-9/16". Inset BB24, the rollout is 24 - 3 - 2\*1-1/4 = 18-1/2".

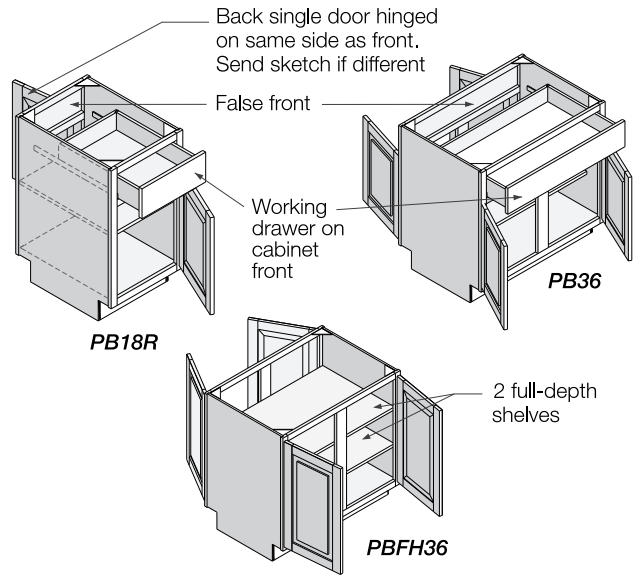
<sup>5</sup> Complimentary 5pc door or slab will be used, Not available with Drawer; <sup>6</sup> Full Height Door with Tray Divider inside.

**Bar Full Height BARFH**



12" Deep	BARFH12.12L	BARFH12.12R	\$852
	BARFH15.12L	BARFH15.12R	\$887
	BARFH18.12L	BARFH18.12R	\$940
	BARFH21.12L	BARFH21.12R	\$987
	BARFH24.12L	BARFH24.12R	\$1,035
		BARFHB24.12	\$1,273
		BARFHB27.12	\$1,323
	BARFH30.12	BARFHB30.12	\$1,360
	BARFH33.12	BARFHB33.12	\$1,389
	BARFH36.12	BARFHB36.12	\$1,486
	BARFH39.12	BARFHB39.12	\$1,514
	BARFH42.12		\$1,568
	BARFH45.12		\$1,618
BARFH48.12		\$1,668	
24" Deep	BARFH12.24L	BARFH12.24R	\$852
	BARFH15.24L	BARFH15.24R	\$887
	BARFH18.24L	BARFH18.24R	\$940
	BARFH21.24L	BARFH21.24R	\$987
	BARFH24.24L	BARFH24.24R	\$1,035
		BARFHB24.24	\$1,273
		BARFHB27.24	\$1,323
	BARFH30.24	BARFHB30.24	\$1,360
	BARFH33.24	BARFHB33.24	\$1,389
	BARFH36.24	BARFHB36.24	\$1,486
	BARFH39.24	BARFHB39.24	\$1,514
	BARFH42.24		\$1,568
	BARFH45.24		\$1,618
BARFH48.24		\$1,668	

**Peninsula Base PB**



- Peninsula cabinets with a single door on each frame will have both doors hinged on the same side of the cabinet when looking down on the cabinet.
- Please include drawing for items outside these standards.
- Peninsula bases over 36" wide will have 2 drawers on 1 side.
- Peninsula base full height includes 2 full-depth shelves.

Peninsula Base	PB15L	PB15R	\$1,389
	PB18L	PB18R	\$1,469
	PB21L	PB21R	\$1,535
	PB24L	PB24R	\$1,601
		PBB24	\$1,931
		PBB27	\$2,003
	PB30	PBB30	\$2,005
	PB33	PBB33	\$2,097
	PB36	PBB36	\$2,230
	PB39.02		\$2,347
	PB42.02		\$2,468
	PB45.02		\$2,504
	PB48.02		\$2,540

**? Did You Know?**

The Euro FO hinge includes our soft close feature.

**? Did You Know?**

You can now enter orders on-line. Go to <http://extranet.candlelightcab.net> and click on the Easy Price tab.

Peninsula Base Full Height	PBFH15L	PBFH15R	\$1,219
	PBFH18L	PBFH18R	\$1,296
	PBFH21L	PBFH21R	\$1,363
	PBFH24L	PBFH24R	\$1,427
		PBFHB24	\$1,761
		PBFHB27	\$1,830
	PBFH30	PBFHB30	\$1,882
	PBFH33	PBFHB33	\$1,923
	PBFH36	PBFHB36	\$2,054
	PBFH39		\$2,159
	PBFH42		\$2,265
	PBFH45		\$2,301
	PBFH48		\$2,337

**? Did You Know?**

Last year, 64% of all orders placed were Paint Grade.

### Sink Base SB

SB30 shown

- 39" - 48" have two false fronts.
- Add \$126 for Flip down utility tray (w/UT).

SB18L	SB18R	\$745
SB21L	SB21R	\$785
SB24L	SB24R	\$839
	SBB24	\$986
	SBB27	\$1,010
SB30	SBB30	\$1,042
SB33	SBB33	\$1,076
SB36	SBB36	\$1,150
SB39	SBB39	\$1,176
SB42	SBB42	\$1,206
SB45	SBB45	\$1,250
SB48	SBB48	\$1,293

### Sink Base Reverse SBR

- CAUTION: Concealed inset hinges may interfere with sink.
- 39" - 48" have two functional drawers.
- Drawer box has a 3" recessed back.

SBR18L	SBR18R	\$955
SBR21L	SBR21R	\$995
SBR24L	SBR24R	\$1,037
	SBBR24	\$1,238
	SBBR27	\$1,287
SBR30	SBBR30	\$1,317
SBR33	SBBR33	\$1,342
SBR36	SBBR36	\$1,366
SBR39.02	SBBR39.02	\$1,555
SBR42.02	SBBR42.02	\$1,608
SBR45.02	SBBR45.02	\$1,649
SBR48.02	SBBR48.02	\$1,698

### Farmer Sink Base FSB

FSBB33 shown

- See Worksheet: **Farmer Sink Base Worksheet (page 4.17)**
- **Sink should not rest on the face frame but rather on the shelf behind the face frame.**
- Sink base w/opening to accept apron type sink, in lieu of false front in upper section.
- For most cases a solid apron is recommended to trim in the field as dimensions vary on most models to what is specified.
- Standard farmer sink base will have a 6" space above a 6" wide mid-rail for field trim and maximum clearance.
- Sink specifications are required to place oven shelf and check rail width.

FSB18L	FSB18R	\$1,035
FSB21L	FSB21R	\$1,072
FSB24L	FSB24R	\$1,125
	FSBB24	\$1,271
	FSBB27	\$1,298
FSB30	FSBB30	\$1,328
FSB33	FSBB33	\$1,366
FSB36	FSBB36	\$1,438
FSB39	FSBB39	\$1,461
FSB42	FSBB42	\$1,492
FSB45	FSBB45	\$1,535
FSB48	FSBB48	\$1,581

**? Did You Know?**

You can now enter orders on-line. Go to <http://extranet.candlelightcab.net> and click on the Easy Price tab.

### Diagonal Sink Base DSB

DSB36                      DSB42

Sizes shown: DSB36  
DSB42

- Add \$126 for Flip down utility tray (w/UT).

DSB	DSB36L	DSB36R	\$1,283
	DSB39L	DSB39R	\$1,307
		DSBB42	\$1,331

### Recessed Diagonal Sink Base RDSB

RDSB36                      RDSB39                      RDSB42

Fixed shelf  
(Fixed shelf in corner is standard)

Sizes shown: RDSB36  
RDSB39  
RDSB42

- Recess ~4-7/8"
- Add \$126 for Flip down utility tray (w/UT).

RDSB	RDSB36L	RDSB36R	\$1,733
	RDSB39L	RDSB39R	\$1,961
		RDSBB42	\$2,120

### Sink Base Angled SBA

SBA36 shown

- Standard with 3" clipped corners.
- Add \$200 to increase depth to 27".
- Cabinet model number represents overall dimension.
- When adding fluting (i.e., w/FL please specify style A or B) add \$234 charge.
- If not increasing depth, install cabinet 3" away from the back wall.
- Add \$126 for Flip down utility tray (w/UT).

SBA		SBAB30	\$1,604
		SBAB33	\$1,665
		SBA36	\$1,722
		SBA39	\$1,741
		SBA42	\$1,768
		SBA45	\$1,828
		SBA48	\$1,858
		SBAB48	\$1,858

### Sink Front SF

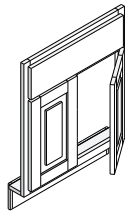
SFB24 shown

- Not trimmable.
- Add \$126 for Flip down utility tray (w/UT).
- Includes 48" x 48" x 1/2" duralux panel for floor material.

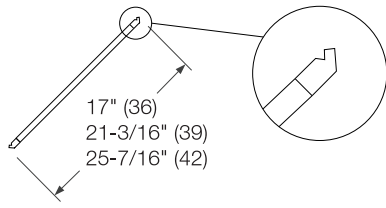
SF	SF24L	SF24R	\$653
		SFB24	\$773
		SFB27	\$787
	SF30	SFB30	\$815
	SF33	SFB33	\$841
	SF36	SFB36	\$864
	SF39	SFB39	\$897
	SF42	SFB42	\$944
	SF45	SFB45	\$979
	SF48	SFB48	\$1,011



**Sink Front Diagonal SFD**



SFDB42 shown

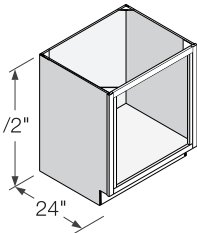


Plan view

- Not trimmable.
- Add \$126 for Flip down utility tray (w/UT).
- Includes 48" x 48" x 1/2" duralux panel for floor material.

SFD	SFD36L	SFD36R	\$649
	SFD39L	SFD39R	\$736
		SFDB42	\$953

**Base Oven Cabinet BOC**



34-1/2"

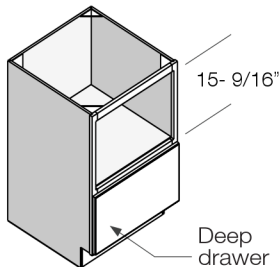
24"

BOC30 shown

- Price includes custom cutout. Please send cutout dimensions with order.
- Maximum width of opening is 1-1/2" less than width of cabinet. Without frame on end or integrated designer panel.

BOC	BOC27	\$805
	BOC30	\$826
	BOC33	\$846
	BOC36	\$900

**Base Microwave Cabinet BMC**

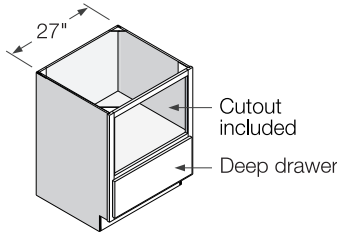


BMC24 shown

- Standard opening is to fit SHARP Microwave Drawer. A 24 and 27" cabinet will have an opening for MODEL SMD2470AS; 22-1/8" Wide. A 30" Cabinet has an opening for SMD3070AS; 28-7/16"W.
- Other openings are available add \$305 (Requires manufacturer's trim kit). Add \$515 for cutout and Finished Interior.
- Maximum width of opening is 1-1/2" less than width of cabinet. Without frame on end or integrated designer panel.

BMC	BMC24	\$1,372
	BMC27	\$1,402
	BMC30	\$1,427

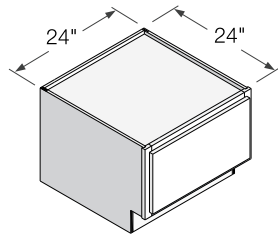
**Dishwasher Drawer 27 Top FPT**



- Cutout dimensions required. Price includes custom cutout.
- Maximum width of opening is 1-1/2" less than width of cabinet. Without frame on end or integrated designer panel.

FPT27	\$1,287
-------	---------

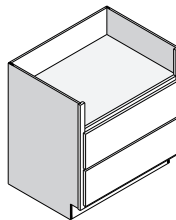
**Dishwasher Drawer 24 FP**



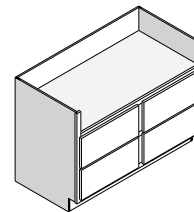
- Appliance dimensions are required.

FP24	\$810
------	-------

**Deep Range Base DRB**



DRB33

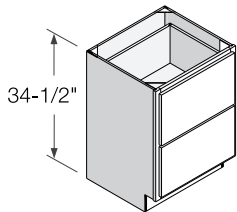


DRB51.04

- See Worksheet: **Deep Range Base Worksheet** (page 4.16)
- Cabinet can be reduced in height to allow for maximum width to be used.
- Cutout dimensions required, Price includes custom cutout.

DRB30.02	\$1,817
DRB33.02	\$1,903
DRB36.02	\$1,949
DRB39.02	\$2,330
DRB39.04	\$2,814
DRB51.04	\$2,904

**Base 2 Deep Drawers B2DD**

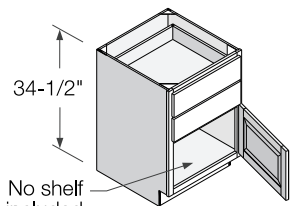


- Will receive (2) 10-1/2" deep drawer boxes.

*B2DD24 shown*

B2DD	B2DD18	\$1,256
	B2DD21	\$1,362
	B2DD24	\$1,462
	B2DD27	\$1,709
	B2DD30	\$1,823
	B2DD33	\$1,915
	B2DD36	\$1,963

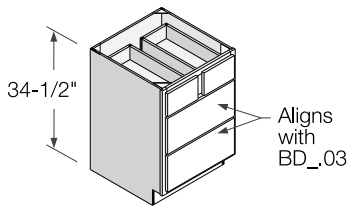
**Base 2 Drawer Top B2DT**



*B2DT24R shown*

B2DT	B2DT12L	B2DT12R	\$1,204
	B2DT15L	B2DT15R	\$1,204
	B2DT18L	B2DT18R	\$1,271
	B2DT21L	B2DT21R	\$1,314
	B2DT24L	B2DT24R	\$1,373
		B2DTB24	\$1,502
		B2DTB27	\$1,603
	B2DT30	B2DTB30	\$1,705
	B2DT33	B2DTB33	\$1,791
	B2DT36	B2DTB36	\$1,838

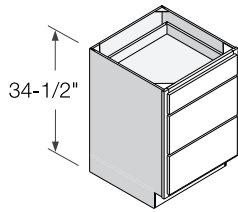
**Base 2 Deep and 2 Shallow B2D2S**



*B2D2S24 shown*

B2D2S	B2D2S24	\$1,595
	B2D2S27	\$1,826
	B2D2S30	\$1,930
	B2D2S33	\$2,014
	B2D2S36	\$2,064

**Base 3 Drawer BD\_.03**

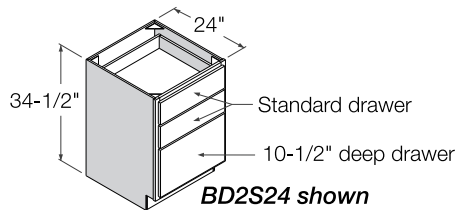


*BD24.03 shown*

- Cabinets 39" to 45" will come with Blum 150 Tracks and Lateral Stabilizer to carry the extra weight and prevent binding.
- Small drawer top and two large below.
- For 18"D order VKBDxx.03.18.
- For 21"D specify VKBDxx.03.

3 Drawer	BD12.03	\$1,318
	BD15.03	\$1,318
	BD18.03	\$1,382
	BD21.03	\$1,423
	BD24.03	\$1,486
	BD27.03	\$1,713
	BD30.03	\$1,817
	BD33.03	\$1,903
	BD36.03	\$1,949
	Wide	BD39.03
BD42.03		\$2,450
BD45.03		\$2,508

**Base 1 Deep and 2 shallow BD2S**



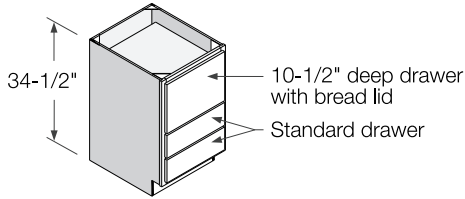
*BD2S24 shown*

BD2S	BD2S12	\$1,279
	BD2S15	\$1,279
	BD2S18	\$1,341
	BD2S21	\$1,382
	BD2S24	\$1,443
	BD2S27	\$1,662
	BD2S30	\$1,766
	BD2S33	\$1,847
	BD2S36	\$1,892

**? Did You Know?**

Since 2003, Candlelight Cabinetry's signature drawer box has featured a sturdier 3/8" thick plywood bottom.

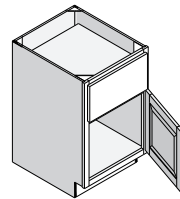
**Base 3 Drawer Reverse BDR**



BDR21.03 shown

DBR	BDR15.03	\$1,603
	BDR18.03	\$1,677
	BDR21.03	\$1,758
	BDR24.03	\$1,857

**Base Top Deep Drawer BTD**

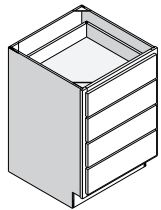


- Includes bread lid in drawer.
- Top opening is 9-1/4" H.

BTD21R shown

BTD	BTD15L	BTD15R	\$1,045
	BTD18L	BTD18R	\$1,099
	BTD21L	BTD21R	\$1,158
		BTDB24	\$1,419

**Base 4 Drawer BD\_04**

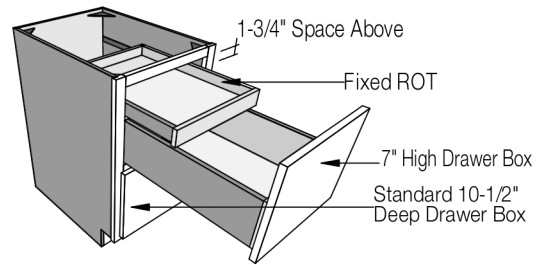


BD24.04 shown

- Due to height restrictions for some door styles 5 Pc. drawer fronts may not be available. Check availability
- 4 equal size drawer boxes.
- Bottom drawer front is slightly larger.
- For 18"D specify VKBDxx.04.18.
- For 21"D specify VKBDxx.04.

4 Drawer	BD12.04	\$1,425
	BD15.04	\$1,425
	BD18.04	\$1,496
	BD21.04	\$1,536
	BD24.04	\$1,595
	BD27.04	\$1,826
	BD30.04	\$1,930
	BD33.04	\$2,014
	BD36.04	\$2,064

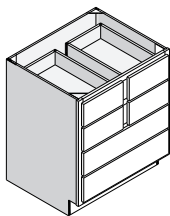
**Base 2 Deep Drawers Rollout Top B2DDRT**



B2DDRT18 Shown

B2DDRT	B2DDRT18	\$1,436
	B2DDRT21	\$1,568
	B2DDRT24	\$1,602
	B2DDRT27	\$1,841
	B2DDRT30	\$1,950
	B2DDRT33	\$2,040
	B2DDRT36	\$2,089

**Base 6 Shallow B6SD**

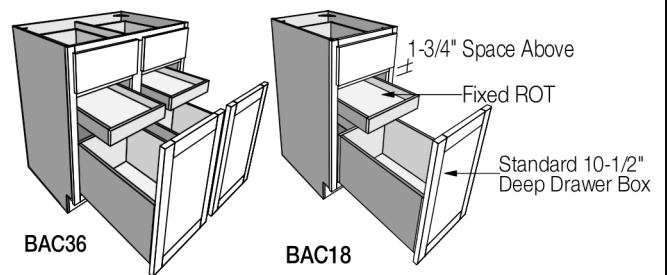


B6SD30 shown

- Same drawer height configuration as 4 drawer base.

6 Shallow	B6SD24	\$1,818
	B6SD27	\$2,047
	B6SD30	\$2,153
	B6SD33	\$2,237
	B6SD36	\$2,406

**Base Accessory Convenience BAC**



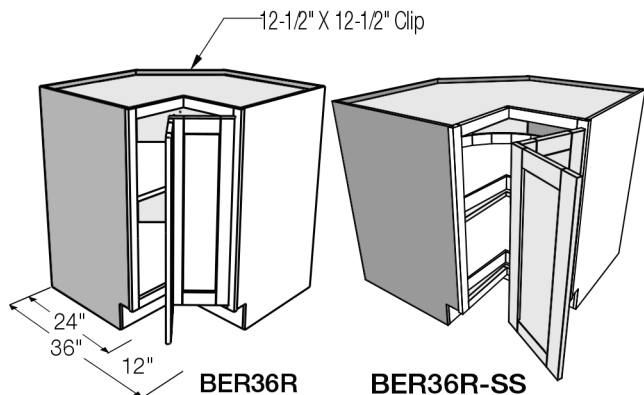
BAC36

BAC18

2 Drw	BAC18	\$1,413
	BAC21	\$1,452
	BAC24	\$1,496
4 Drw	BAC36	\$2,428
	BAC42	\$2,505
	BAC48	\$2,597

Base Easy Reach

BER



- FOE and IDP modifications do not work in Full Overlay and Euro Full Overlay. Please add a DBEPS to the order.
- Frame on End not available on hinged side.
- Asymmetrical cabinets available as standard - See BERA.
- Super Susan spinners are all wood (36 - 32"Dia; 33 - 28"Dia). One spinner is mounted to the cabinet floor, the other is mounted to adjustable shelf (no pole).
- All BER's are hinged L or R with one door hinged to cabinet frame.
- Overlap doors are available on all BER cabinets. Specify which door opens first - N/C.
- See Modifications section: Enviro Baskets (BER-EVB)
- See Modifications section for Lazy Susan Drawer System (BER-LSDS).
- Ship toe loose recommended to allow cabinet to be brought into the home.

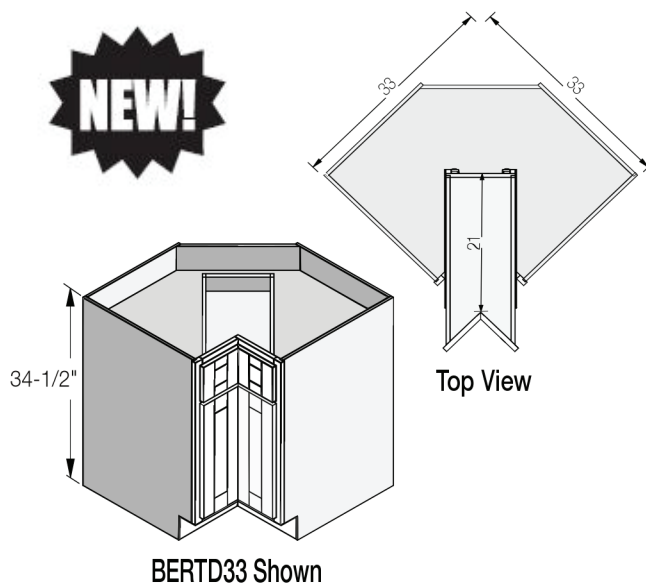
BER33L	BER33R	\$1,571
BER36L	BER36R	\$1,571
BER33L-SS	BER33R-SS	\$2,062
BER36L-SS	BER36R-SS	\$2,062

**? Did You Know?**

Your acknowledgement is posted on the extranet in PDF format. Go to <http://extranet.candlelightcab.net> and click on the orders tab.

Base Easy Reach W/ Top Drawer

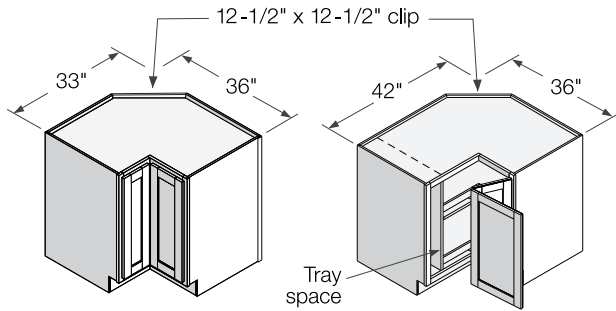
BERTD



- FOE and IDP modifications do not work in Full Overlay and Euro Full Overlay. Please add a DBEPS to the order.
- Frame on End not available on hinged side.
- Super Susan spinners are all wood (36 - 32"Dia; 33 - 28"Dia). One spinner is mounted to the cabinet floor, the other is mounted to adjustable shelf (no pole).
- All BER's are hinged L or R with one door hinged to cabinet frame.
- Overlap doors are available on all BER cabinets. Specify which door opens first - N/C.
- Ship toe loose recommended to allow cabinet to be brought into the home.
- Please note: This cabinet does have 2 drawer fronts that get combined to make the 1 90° drawer front.

BERTD33L	BERTD33R	\$2,014
BERTD36L	BERTD36R	\$2,014
BERTD33L-SS	BERTD33R-SS	\$2,505
BERTD36L-SS	BERTD36R-SS	\$2,505

**Asymmetrical Easy Reach BERA**



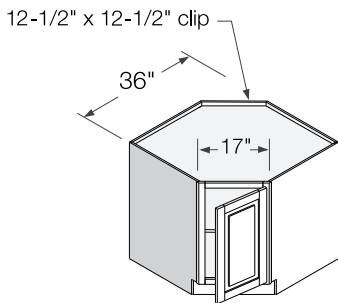
*BERA3336L shown*

*BERA4236R-SS shown*

- FOE modification does not work in Full Overlay and Euro Full Overlay. Please add a DBEPS to the order.
- Ship toe loose recommended to allow cabinet to be brought into the home.
- 42" units w/ super susan features space for trays.
- Frame on End not available on hinged side.
- Overlap doors are available on all BERA cabinets. Specify which door opens first - N/C.

BERA	BERA3336L	BERA3336R	\$1,699
	BERA3633L	BERA3633R	\$1,699
	BERA3639L	BERA3639R	\$1,869
	BERA3936L	BERA3936R	\$1,869
	BERA3336L-SS	BERA3336R-SS	\$2,190
	BERA3633L-SS	BERA3633R-SS	\$2,190
	BERA3639L-SS	BERA3639R-SS	\$2,267
	BERA3936L-SS	BERA3936R-SS	\$2,267
TRAY	BERA4236L-SS	BERA4236R-SS	\$2,318
	BERA3642L-SS	BERA3642R-SS	\$2,318

**Base Easy Reach Diagonal BERD**

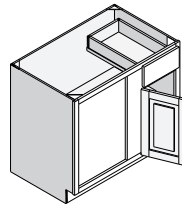


*BERD36R shown*

- Odd Overlay is included for Full Overlay and Euro Full Overlay.
- Ship toe loose recommended to allow cabinet to be brought into the home.
- Handle placement may effect the function of adjacent drawers. Special consideration may be required.
- For SKU's with super susans you will receive two 32" spinner.

BERD36L	BERD36R	\$1,571
BERD36L-SS	BERD36R-SS	\$2,062

**Base Corner BC**

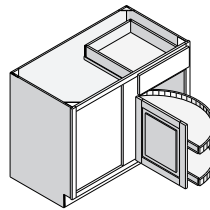


*BC39L shown*

- **See Specification: Base BC Considerations** (page 3.19)
- Door will be hinged on same side as blind corner, i.e., left blind corner will have a left hinged door.
- Blind corner cabinets should be pulled for door clearance. Maximum pull 4-1/2.
- Cabinet is actual width stated.
- A filler or extended stile should be used on the cabinet running into the blind corner side.
- Blind corner cabinets include 1/8" fibrex to cover hole.
- Add 25% for solid blind. i.e., BC39L-w/Solid\_Blind.
- See Modifications section for Cloud Unit.

Blind Corner	BC36L	BC36R	\$1,085
	BC39L	BC39R	\$1,133
	BC42L	BC42R	\$1,162
	BC45L	BC45R	\$1,215
	BC48L	BC48R	\$1,251

**Base Corner w/LS BC\_w/LS**



*BC45L-w/LS shown*

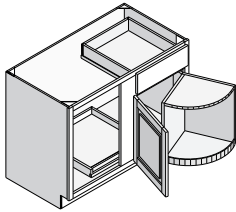
- **See Specification: Base BC Considerations** (page 3.19)
- Blind corner cabinet with wood Lazy Susan installed.

w/LS	BC45L-w/LS	BC45R-w/LS	\$2,094
	BC48L-w/LS	BC48R-w/LS	\$2,176

**? Did You Know?**

You can now enter orders on-line. Go to <http://extranet.candlelightcab.net> and click on the Easy Price tab.

**Base Corner w/SOU** **BC\_w/SOU**

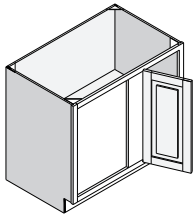


*B45L-w/SOU shown*

- **See Specification: Base BC Considerations** (page 3.19)
- Door will be hinged on same side as blind corner, i.e., left blind corner will have a left hinged door.
- Blind corner cabinets should be pulled for door clearance. Maximum pull 4-1/2.
- Cabinet is actual width stated.
- A filler or extended stile should be used on the cabinet running into the blind corner side.
- Blind corner cabinets include 1/8" fibrex to cover hole.
- Add 25% for solid blind. i.e., BC45L-w/SOU-w/Solid\_Blind.
- Includes swing out unit and roll out tray.

w/SOU	BC45Lw/SOU	BC45Rw/SOU	\$1,762
	BC48Lw/SOU	BC48Rw/SOU	\$1,817

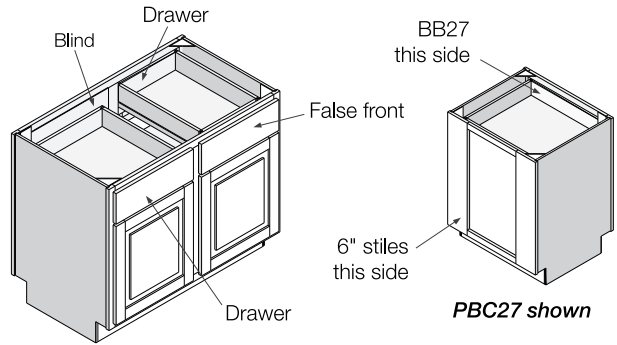
**Base Corner FH** **BCFH**



- **See Specification: Base BC Considerations** (page 3.19)
- Door will be hinged on same side as blind corner, i.e., left blind corner will have a left hinged door.
- Blind corner cabinets should be pulled for door clearance. Maximum pull 4-1/2.
- Cabinet is actual width stated.
- A filler or extended stile should be used on the cabinet running into the blind corner side.
- Blind corner cabinets include 1/8" fibrex to cover hole.
- Add 25% for solid blind. i.e., BCFH39L-w/Solid\_Blind.
- See Modifications section for LeMans Unit.

BCFH	BCFH36L	BCFH36R	\$1,005
	BCFH39L	BCFH39R	\$1,065
	BCFH42L	BCFH42R	\$1,085
	BCFH45L	BCFH45R	\$1,137
	BCFH48L	BCFH48R	\$1,189

**Base Peninsula Blind Corner** **PBC**

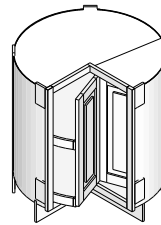


*PBC42R shown*

- **See Specification: Base BC Considerations** (page 3.19)
- This style peninsula cabinet will come with a blind corner cabinet on one side and a standard base cabinet on the peninsula side.
- Always specify blind side when looking at cabinet from the side shown.
- Blind corner cabinets include 1/8" fibrex to cover hole.
- Add 25% for solid blind. i.e., PBC39L-w/Solid\_Blind.

PBC	PBC27		\$1,526
	PBC36L	PBC36R	\$1,766
	PBC39L	PBC39R	\$1,830
	PBC42L	PBC42R	\$1,901
	PBC45L	PBC45R	\$1,962
	PBC48L	PBC48R	\$2,018

**Base Lazy Susan** **LS**

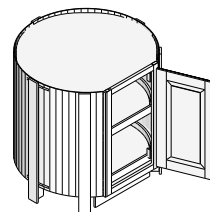


*LS36 shown*

- All Lazy Susans include all wood spinners on pole. The wood spinners are 28" diameter.
- All Lazy Susans have door mounted to spinner units, i.e., doors revolve inside cabinet with the shelves (Inset).
- Side support must be removed on site before installing an end panel (LS-EP).

LS	LS36	\$1,460
----	------	---------

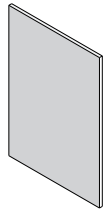
**Base Lazy Susan Diagonal** **LSD**



- All Lazy Susans include 31" diameter wood spinners on pole.
- Side support must be removed on site before installing an end panel (LS-EP).

LSD36L	LSD36R	\$1,404
--------	--------	---------

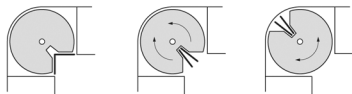
**Base Lazy Susan End Panel LS-EP**



- LS-EPV Unfinished
- LS-EPW Finished

LS-EP	LS-EPV(L)	LS-EPV(R)	\$53
	LS-EPW(L)	LS-EPW(R)	\$227

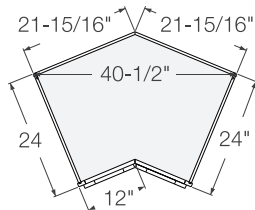
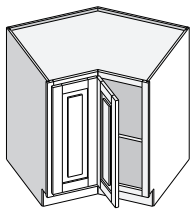
**Base Suzy Q Lazy Susan LSQ**



- Full Overlay orders will receive a door the same height as a base full height even though it will inset into the cabinet.

LSQ36	\$3,630
-------	---------

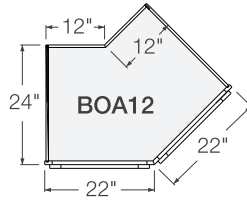
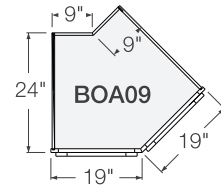
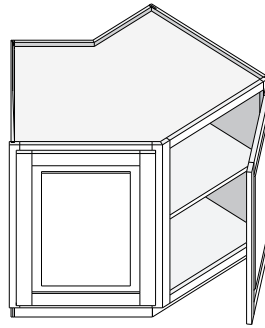
**Base Angle 135 BAZ**



- Super Susan spinners are all wood.
- One spinner is mounted to cabinet floor, other spinner is mounted to adjustable shelf.
- All BAZ's are hinged L or R with one door hinged to cabinet frame.
- Overlap doors are available on all BAZ cabinets. Specify which door opens first - N/C.

BAZ	BAZ36L	BAZ36R	\$1,733
	BAZ36L-SS	BAZ36R-SS	\$2,223

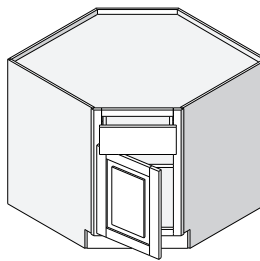
**Base Outside Angle 135 BOA**



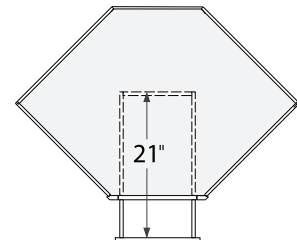
- Designed for 135 deg. outside corner hinged L, R unless specified otherwise.

BOA	BOA09	\$1,585
	BOA12	\$1,733

**Base Easy Reach Dia Drawer BERDD**



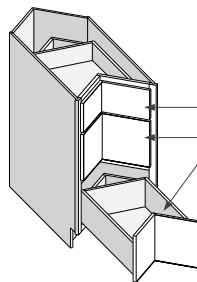
BERDD36 shown



Top view

BERDD36L	BERDD36R	\$2,008
----------	----------	---------

**Base Easy Reach Space Corner BERSC**



- 4-1/2" high drawer
- 7" high drawer

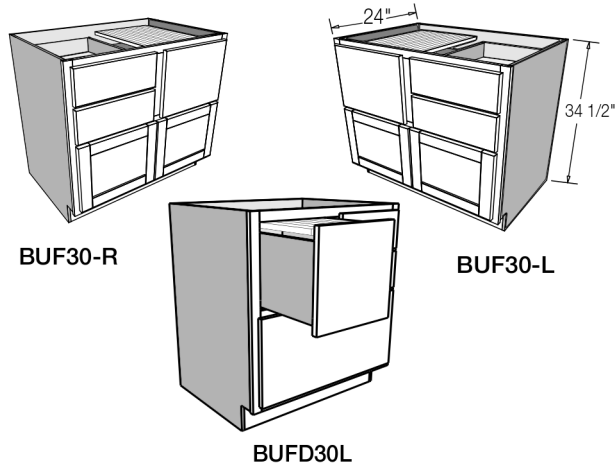
**Note: Similar to BD\_03. Same drawer configuration**

BERSC36 shown

- Not available on mitered doors, 3/8" inset or full inset
- Standard with Odd Overlay
- Please note: This cabinet does have 6 drawer fronts that get combined to make the 3 90° drawer fronts.

BERSC36	\$2,820
---------	---------

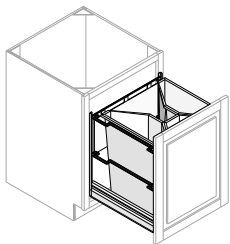
**Base Buffet** **BUF**



- Specify Left or Right for which side you would like the cutting board. Left side shown in drawing.
- Includes hidden cutting board, bread lid and cutlery divider.
- There is no knob on the cutting board. There is a finger groove on the bottom.

<b>BUF</b>	BUF30-L	BUF30-R	\$1,948
	BUFB30-L	BUFB30-R	\$1,948
	BUF33-L	BUF33-R	\$2,029
	BUFB33-L	BUFB33-R	\$2,029
	BUF36-L	BUF36-R	\$2,065
	BUFB36-L	BUFB36-R	\$2,065
<b>BUFD</b>	BUFD30-L	BUFD30-R	\$2,042
	BUFD33-L	BUFD33-R	\$2,120
	BUFD36-L	BUFD36-R	\$2,155

**Base Recycle Bin** **BRB**



- This will be a BFH24 (Full Height) w/Recycle bin unit.
- Cabinet cannot be reduced in depth.

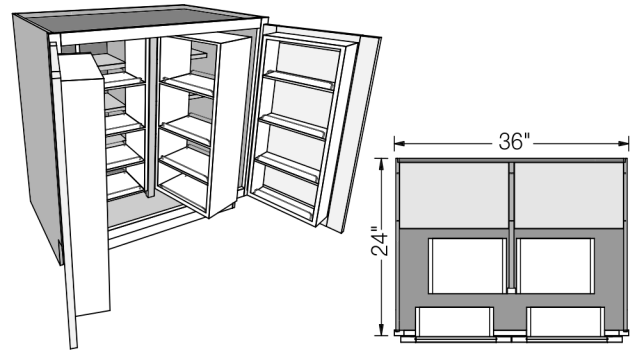
*BRB24 shown*

<b>BRB24</b>	<b>\$1,891</b>
--------------	----------------

**Design Notes**

To reduce BWD18 to 17" Stiles can be reduced to 1".

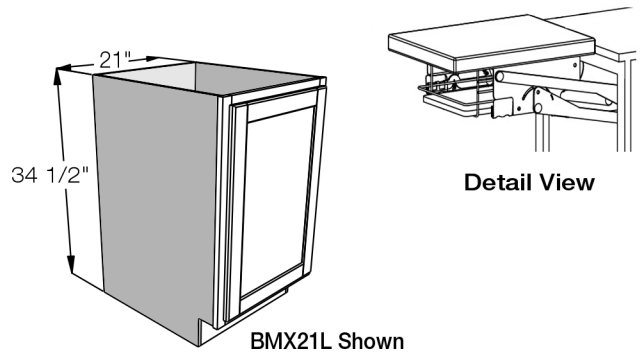
**Base Gourmet Pantry** **BGP**



- Design consideration: Doors must open more than 90 degrees.

<b>BGP36</b>	<b>\$1,977</b>
--------------	----------------

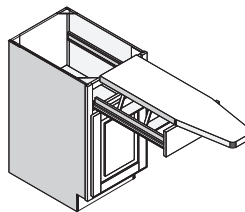
**Base Mixer Cabinet** **BMX**



- Inside clearance height 17".
- Mixer shelf flips out from inside of cabinet.
- 60-lb. weight limit on mixer shelf.
- Mixer accessory basket is mounted below the mixer shelf.
- Cabinet cannot be reduced in depth.

<b>BMX</b>	BMX18L	BMX18R	\$1,496
	BMX21L	BMX21R	\$1,563
	BMX24L	BMX24R	\$1,581
		BMXB24	\$1,857

**Base Ironing Board** **BIB**



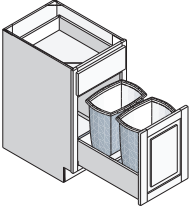
- Ironing board extends out 40".
- Drawer front pulls out and flips under ironing board hardware.
- Cabinet cannot be reduced in depth.

*BIB18 shown*

<b>BIB18L</b>	<b>BIB18R</b>	<b>\$1,681</b>
---------------	---------------	----------------



### Base Waste Basket BW

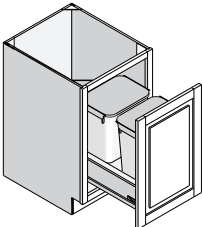


*BWD18 shown*

- All cabinets have full-extension softclose slides.
- All baskets 35 quart.
- All wastebasket cabinets include a fixed horizontal to separate top drawer from wastebaskets.
- Single Baskets can be reduced to 18" deep and are available 15 to 18" wide.
- Double Baskets cannot be reduced in depth at all. They are not available in width below 18".
- Add \$971 for Servo Drive (w/SVD).

	BW15 (Single)	\$1,483
	BWD18	\$1,783
	BWD21	\$1,836
	BWD24	\$1,916

### Base FH Waste Basket BWFH

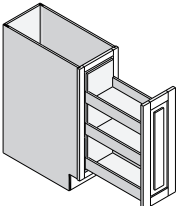


*BWFHD21 shown*

- All baskets 50 quart. The 15" cabinet has one basket, the 21" has two.
- Unit used: Rev-a-shelf 4WCBM series - full-extension with soft-close.
- Cabinet cannot be reduced in depth.
- Servo drive is NOT available.

	BWFH15	\$1,632
	BWFHD18	\$1,883
	BWFHD21	\$1,966

### Base Pantry Roll-out BPR

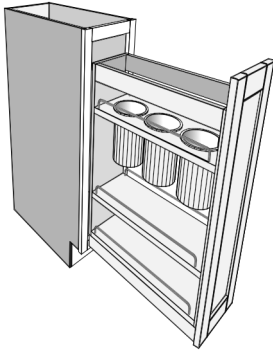


*BPR12 shown*

- Door is attached to pullout pantry unit.
- Middle shelf adjustable.

	BPR09	\$1,230
	BPR12	\$1,275
	BPR15	\$1,335

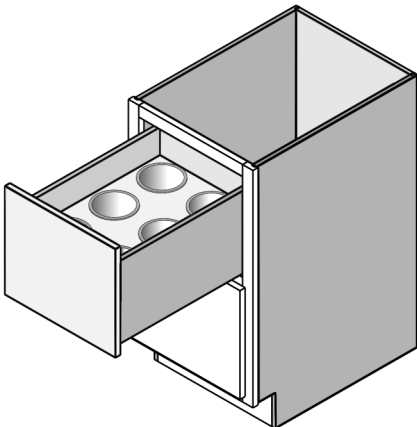
### Base FH Utensil Canister BFHUC



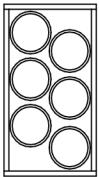
- Cabinet cannot be reduced in height, width or depth.
- Soft close pullout features stainless canisters to organize utensils.

	BFHUC09	\$1,645
	BFHUC12	\$1,775

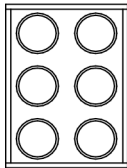
### Base 2 Deep Utensil Canister B2DUC



**B2DUC18 Shown**



B2DUC15 Configuration



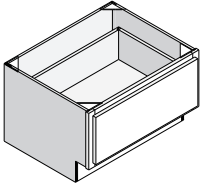
B2DUC18 Configuration

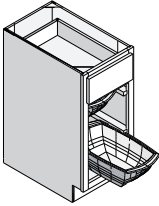
- Designed for eating utensils such as forks, spoons and knives. The largest utensil that can fit in this opening would be 11-1/4".
- Cabinet cannot be reduced in height, width or depth.
- Will receive (2) 10-1/2" deep drawer boxes.
- Top drawer box has 6 stainless Bain Marie pots to store utensils.

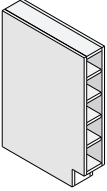
	B2DUC15	\$1,674
	B2DUC18	\$1,779

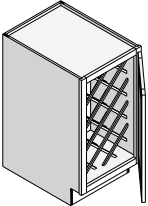
### Design Notes

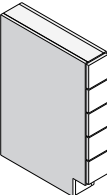
To reduce BWD18 to 17" Stiles can be reduced to 1".

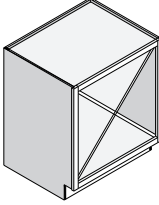
Base Cabinet Window Seat		BCW
 <ul style="list-style-type: none"> <li>• 21" deep x 16-1/2" high.</li> </ul> <p><i>BCWS27 shown</i></p>		
Window Seat	BCWS24	\$810
	BCWS27	\$830
	BCWS30	\$855
	BCWS33	\$873
	BCWS36	\$893

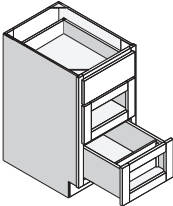
Base Open Basket Cabinet		BOBC
 <ul style="list-style-type: none"> <li>• Includes finished interior and (2) pullout wicker baskets.</li> <li>• Cabinet cannot be reduced in depth or width.</li> </ul>		
BOBC	BOBC15	\$1,240
	BOBC18	\$1,284

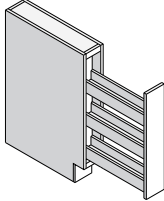
Base Pigeon Hole		BPH
 <ul style="list-style-type: none"> <li>• Unit will have 5 openings. Left and Right Stiles on face frame are 7/8" wide. Mid-Stiles are 1 3/8"</li> <li>• Remember to add for finished ends.</li> </ul> <p><i>BPH06 shown</i></p>		
BPH	BPH06	\$1,297
	BPH09	\$1,449

Base Wine Cellar		BWC	
 <ul style="list-style-type: none"> <li>• Door is prepped for glass. Customer must supply safety glass or plexiglass for door.</li> <li>• Includes finished interior.</li> <li>• Add \$107 for Polished Brass cylinder lock (N/A on Full Overlay).</li> </ul> <p><i>BWC18R shown</i></p>			
BWC	BWC18L	BWC18R	\$1,577
	BWC21L	BWC21R	\$1,659
	BWC24L	BWC24R	\$1,842

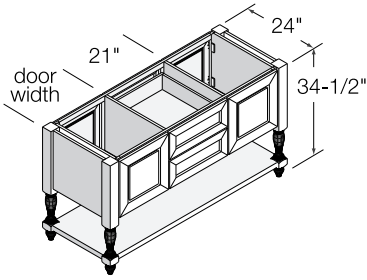
Base Pigeon Hole Drawer		BPHD
 <ul style="list-style-type: none"> <li>• Stiles on face frame are 7/8" wide.</li> <li>• Drawers do not have tracks.</li> <li>• On Beaded Inset orders the openings are not beaded.</li> <li>• When using the Base Table Leg (BTL) mod, the front will be a slab with square edges top and bottom. The front and leg will be 34-1/8"H.</li> </ul> <p><i>BPHD06 shown</i></p>		
BPHD	BPHD06	\$1,466
	BPHD09	\$1,615

Base X Wine Rack		BWRX
 <ul style="list-style-type: none"> <li>• Includes finished interior, 24" deep.</li> <li>• False back at 16" deep.</li> <li>• Opening needs to remain square if the overall size is modified.</li> </ul>		
BWRX30		\$2,947

Base Decorative Bin		BIN
 <ul style="list-style-type: none"> <li>• Full overlay orders will receive Odd Overlay both sides for proper fitment of drawer boxes to drawer fronts.</li> <li>• Solid top drawer.</li> <li>• 2 deep drawers are frame-only w/plexiglass insert and wood divider.</li> </ul> <p><i>BIN18 shown</i></p>		
BIN	BIN15	\$1,166
	BIN18	\$1,232
	BIN21	\$1,275
	BIN24	\$1,334

Base Pullout Spice Unit		BPSU
 <ul style="list-style-type: none"> <li>• 6" W x 34-1/2" H x 24" D overall.</li> <li>• Stiles are 7/8" wide on 6" wide cabinets and change to 1-1/2" stiles when the cabinet is more than 7-14" wide.</li> <li>• Accessible from both sides with Blumotion tracks. Middle shelf is adjustable.</li> <li>• To Attach 1/2 Leg remember to add for STK. The door will be a slab 34-1/8"H with machine lip top and bottom.</li> <li>• Pullout unit is the same as in the BPR cabinet. Made by Candlelight.</li> </ul> <p><i>BPSU06 shown</i></p>		
BPSU06		\$1,064

**Base Cottage Island** **BCI**

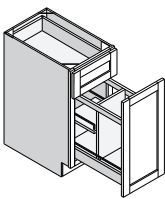


W	# of doors	door width
57	4	15
63	4	18
69	4	21

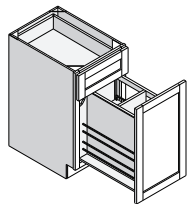
- The back has 2 false drawer fronts and operating doors.
- Both ends are finished.

BCI57	\$4,885
BCI63	\$5,254
BCI69	\$5,768

**Base Organizer Rollout** **BOR**



*BOR15 shown*

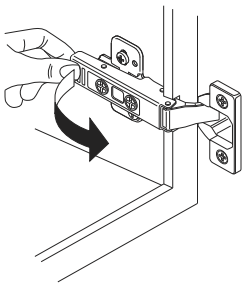


*BOR18L shown*

- 18" wide version has tray storage added to the 15" wide pullout.
- Pullout unit comes with a partition and adjustable shelf so it may be re-configured.

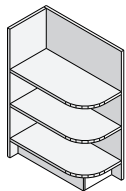
BOR15	\$1,737
BOR18L      BOR18R	\$2,156

**? Did You Know?**

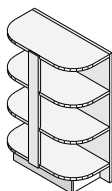


Our Full Inset Cup, BF Cup and Euro FO hinges can be unclipped from the mounting plate without tools.

**Base End Shelves BQS/BHS**



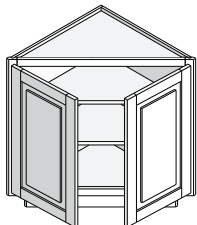
*BQS2412L shown*



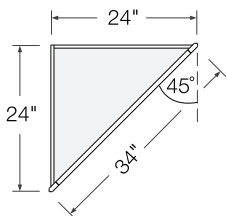
*BHS2412 shown*

BHS2412	\$588
BQS2412L      BQS2412R	\$548

**Base Diagonal End BDEB**



*BDEB24R shown*

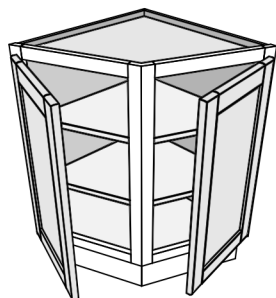


*Top view*

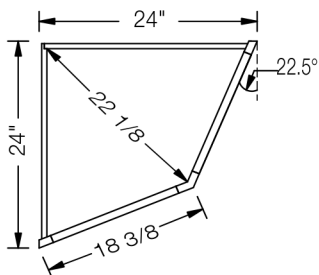
- Butt Doors are Standard. The L o R designates the orientation on the plan.
- Flush Finished ends are not available.
- FI-Wainscote is not available.

BDEB24L      BDEB24R	\$1,309
----------------------	---------

**Base Angle End 24" BAE**



*BAE24R Shown*

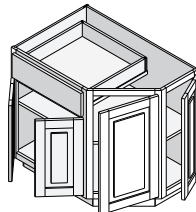


*Top View*

- Doors will be hinged L, R unless specified different on order.
- Flush Finished ends are not available.
- FI-Wainscote is not available.

BAE24L      BAE24R	\$1,389
--------------------	---------

**Base and Diagonal End Frame 12" B\_DEF12**

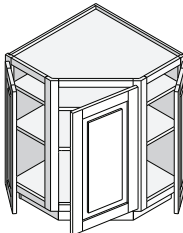


*BB36DEF12R shown*

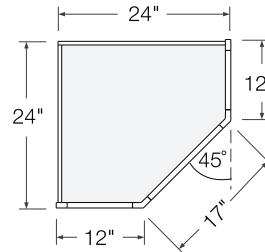
- L or R designates the location of the angled frame.
- Door on angled frame will be hinged on 12" deep side.
- Both doors on angle frame will be hinged from this orientation.
- 36" to 48" cabinets will have butt doors on drawer side.
- Includes one full depth shelf.
- Nomenclature example: BB48DEF12R = BB36 + BDEF12R, OA 48" wide cabinet.

B_DEF12	B24BDEF12L	B24BDEF12R	\$1,968
	B27BDEF12L	B27BDEF12R	\$1,997
	B30BDEF12L	B30BDEF12R	\$2,045
	B33BDEF12L	B33BDEF12R	\$2,083
	BB36BDEF12L	BB36BDEF12R	\$2,327
	BB39BDEF12L	BB39BDEF12R	\$2,375
	BB42BDEF12L	BB42BDEF12R	\$2,406
	BB45BDEF12L	BB45BDEF12R	\$2,432
	BB48BDEF12L	BB48BDEF12R	\$2,454

**Base Angle Triple Face BAT**



*BAT24R shown*

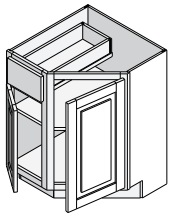


*Top view*

- Hinging is the same on all doors, for example, on a BAT24L all doors are hinged Left.
- Please specify other hinging from left to right, for example, in the picture above, BAT24R hinged L,R,R.

BAT24L      BAT24R	\$1,965
--------------------	---------

**Base and Diagonal End 12" B\_DE12**

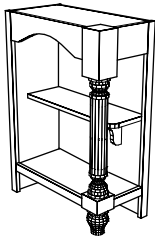


B24DE12R shown

- Full Overlay and Euro full overlay to receive Odd overlay left and right.
- L or R designates the location of the angled frame.
- Door on angled frame will be hinged on 12" deep side.
- Door on 24" deep section will be hinged opposite.
- 36" and 48" cabinets will have butt doors on 24" deep side.
- Includes one full depth shelf.
- Nomenclature example: BB48DER = BB36 BDE12R, OA 48" wide cabinet.
- Frame on end modification is not available on the 12" end. Please consider the B\_DEF12 cabinet.

B_DE12	B24DE12L	B24DE12R	\$1,968
	B27DE12L	B27DE12R	\$1,997
	B30DE12L	B30DE12R	\$2,045
	B33DE12L	B33DE12R	\$2,083
	BB36DE12L	BB36DE12R	\$2,327
	BB39DE12L	BB39DE12R	\$2,375
	BB42DE12L	BB42DE12R	\$2,406
	BB45DE12L	BB45DE12R	\$2,432
	BB48DE12L	BB48DE12R	\$2,454

**Base 1/4 Table Leg End TLBQS**



TLBQS2412L shown

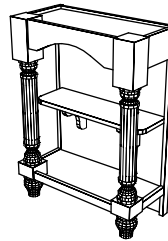
- See Worksheet: **1-4TableLegWorksheet** (page 4.18)

TLBQS2412L	TLBQS2412R	\$2,828
------------	------------	---------

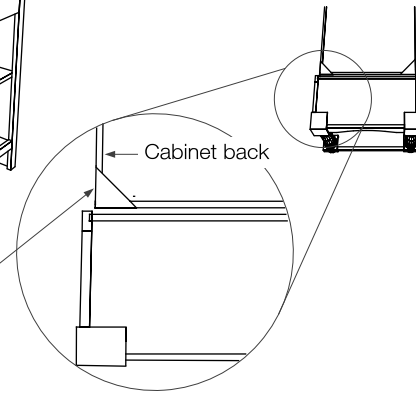
**? Did You Know?**

You can now enter orders on-line. Go to <http://extranet.candlelightcab.net> and click on the Easy Price tab.

**Base 1/2 Table Leg End TLBHS**



Build out cabinet back to bring flush with adjoining TLBHS2512

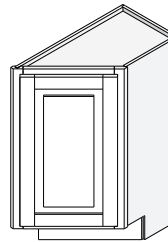


TLBHS2512 shown

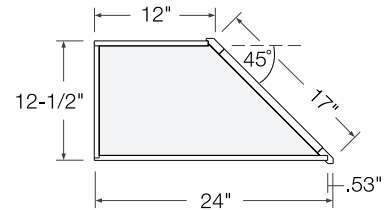
- See Worksheet: **1-2TableLegWorksheet** (page 4.19)

TLBHS2512	\$4,009
-----------	---------

**Base Diagonal End 12-1/2" BDE**



BDE12.5R shown

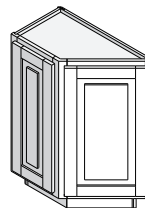


Top view

- Includes finished end on 12" deep side.
- Door will be hinged on 12" deep side.
- Cabinet is 12-1/2" wide.
- Frame on end modification is not available on the 12" end. Please consider the BDEF12.5 cabinet.

BDE12.5L	\$1,170
BDE12.5R	\$1,170

**Base Diagonal End Frame 12-1/2" BDEF**

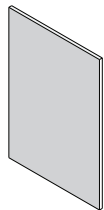


BDEF12.5L shown

- L or R designates location of 12" deep side. Both doors will be hinged from this orientation.

BDEF12.5L	\$1,467
BDEF12.5R	\$1,467

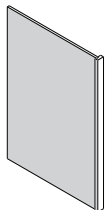
**Base End Panel 3/4" BEP**



- Standard with straight toe kick. Please specify for toe notch Add: \$59 list.
- Panels include finished end both.

BEP7534	\$255
---------	-------

**Base End Panel BEP**



BEP1534L shown

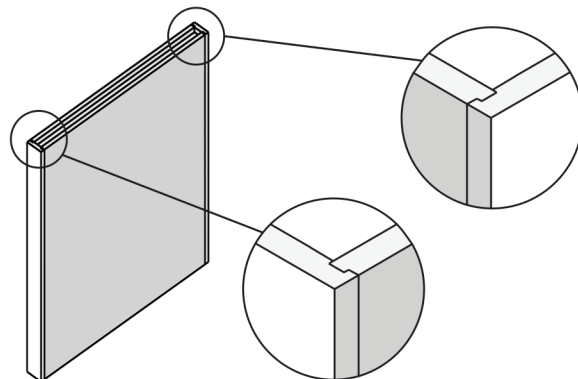
- When adding fluting (i.e., w/FL please specify style A or B) add \$119 charge. 3" wide only.
- Can be ordered with frame on end mod or integrated designer panel.
- Standard with straight toe kick. Please specify for toe notch Add: \$59 list.
- To make BEP finished both sides, add additional finished end charge.

34-1/2	BEP1534L	BEP1534R	\$251
	BEP0334L	BEP0334R	\$251
	BEP0634L	BEP0634R	\$306
40-1/2	BEP1540L	BEP1540R	\$301
	BEP0340L	BEP0340R	\$301
	BEP0640L	BEP0640R	\$373

Base Cabinets » End Panels » 40-1/2 continued...

40-1/2	BEB1540	<b>NEW!</b>	\$797
	BEB0340		\$824
	BEB0640		\$894

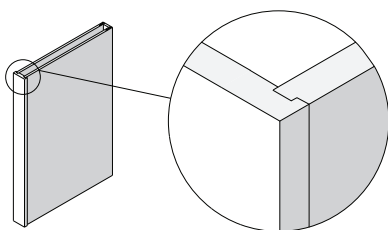
**Peninsula Base End Box PBEB**



- Comes with 2 solid stiles front and back for a island application.
- Comes standard at 36" Deep please specify if needed other wise.
- Can be ordered with frame on end mod or integrated designer panel.
- Includes flush finished end both. Cost of box can be reduced if flush end not needed please specify when ordering.
- Standard with straight toe kick. Please specify for toe notch
- When adding fluting (i.e., w/FL please specify style A or B) add \$119 charge per stile.

34-1/2	PBEB1534	<b>NEW!</b>	\$763
	PBEB0334		\$805
	PBEB0634		\$859
40-1/2	PBEB1540		\$855
	PBEB0340		\$894
	PBEB0640		\$964

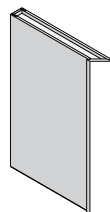
**Base End Box BEB**



- Can be ordered with frame on end mod or integrated designer panel.
- Includes flush finished end both. Cost of box can be reduced if flush end not needed please specify when ordering.
- Standard with straight toe kick. Please specify for toe notch.
- When adding fluting (i.e., w/FL please specify style A or B) add \$119 charge.

34-1/2	BEB1534	<b>NEW!</b>	\$731
	BEB0334		\$751
	BEB0634		\$805

**Clipped Base End Box CBEB**



CBEB03L shown

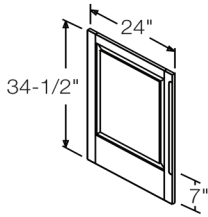
- When adding fluting (i.e., w/FL please specify style A or B) add \$119 charge.
- Unit is 3-1/2" wide for 3" and 6-1/2" wide for 6".
- Includes finished end on 21" deep side 3" clip.
- Includes finished end on 18" deep side 6" clip.
- Standard with straight toe kick. Please specify for toe notch.

CBEB0334L	CBEB0334R	\$471
CBEB0634L	CBEB0634R	\$532

Base Cabinets » End Panels » continued...

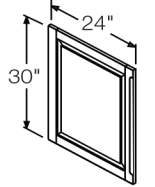
CBEB0340L	CBEB0340R	\$588
CBEB0640L	CBEB0640R	\$667

**Designer BEP Mortise & Tenon DBEP**

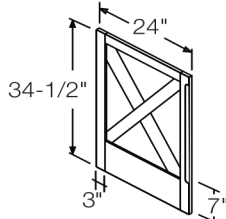


DBEP2434-PER

Width	Panels
DBEP24 (12-25")	1
DBEP36 (25-37")	2
DBEP48 (37-49")	2
DBEP60 (49-61")	3
DBEP72 (61-73")	3
DBEP84 (73-85")	4
DBEP96 (85-97")	4



DBEP2430-PER



DBEPX2434-PER



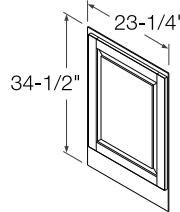
- Mortise and Tenon 3/4" will have machine lip. Please specify side to have profile, i.e., DBEP2434-PEL will be for a right side of the cabinet, PEB will be for an island application and PEN will receive no profile.
- Designer panels greater than 96" W will have to be quoted.

No Toe	DBEP1230	\$284
	DBEP2430	\$566
	DBEP3630	\$848
	DBEP4830	\$1,129
	DBEP6030	\$1,414
	DBEP7230	\$1,696
	DBEP8430	\$1,978
	DBEP9630	\$2,260
	DBEP1236	\$367
	DBEP2436	\$735
	DBEP3636	\$1,102
	DBEP4836	\$1,469
	DBEP6036	\$1,837
	DBEP7236	\$2,205
	DBEP8436	\$2,573
	DBEP9636	\$2,941

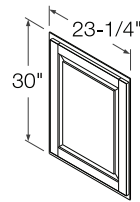
Base Cabinets » End Panels » 7" Bottom Rail continued...

7" Bottom Rail	DBEP1234	\$320
	DBEP2434	\$581
	DBEP3634	\$875
	DBEP4834	\$1,164
	DBEP6034	\$1,456
	DBEP7234	\$1,746
	DBEP8434	\$2,040
	DBEP9634	\$2,330
	DBEP1240	\$416
	DBEP2440	\$756
DBEPX	DBEP3640	\$1,134
	DBEP4840	\$1,511
	DBEP6040	\$1,893
	DBEP7240	\$2,313
	DBEP8440	\$2,651
	DBEP9640	\$3,026
	DBEPX2434	\$611
	DBEPX3634	\$935
	DBEPX4834	\$1,224
	DBEPX6034	\$1,546
DBEPX7234	\$1,836	
DBEPX8434	\$2,160	
DBEPX9634	\$2,450	

**Designer Base End Panel Skin DBEPS**



DBEPS2434-SDR



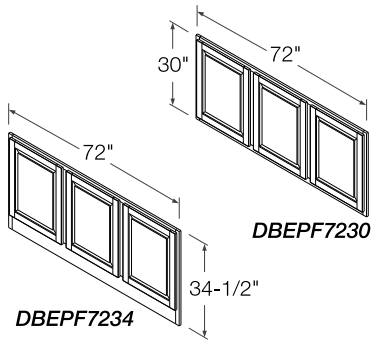
DBEPS2430-SDR

- Doors on a skin are limited to 48" W. Door on a skin will achieve the same look as a frame on end.
- Please specify what side of the cabinet this will be placed on (i.e., DBEPS2434-SDL (Shift Door Left) is for Right Side of Cabinet, SDR (Shift Door Right) for Left Side of Cabinet and CD (Center Door) for Island applications).
- Typically used with mitered style doors.
- Add: 30% to increase to bar height (40-1/2" H)

No Toe	DBEPS1230	\$284
	DBEPS2430	\$566
	DBEPS3630	\$968
	DBEPS4830	\$1,281

STK	DBEPS1234	\$320
	DBEPS2434	\$581
	DBEPS3634	\$994
	DBEPS4834	\$1,315

**Designer Base End Panel Frame DBEPF**



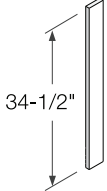
Width	Panels
DBEPF24 (12-25")	1
DBEPF36 (25-37")	2
DBEPF48 (37-49")	2
DBEPF60 (49-61")	3
DBEPF72 (61-73")	3
DBEPF84 (73-85")	4
DBEPF96 (85-97")	4

- Designer panels greater than 96" W will have to be quoted.
- Add: 30% to increase to bar height (40-1/2" H)
- Subtract: 30% for Whirlpool height panels (Below 24"). Please specify when ordering if a door should be made functioning for maintenance access.

No Toe	DBEPF1230 No Toe	\$508
	DBEPF2430 No Toe	\$804
	DBEPF3630 No Toe	\$1,131
	DBEPF4830 No Toe	\$1,447
	DBEPF6030 No Toe	\$1,760
	DBEPF7230 No Toe	\$2,072
	DBEPF8430 No Toe	\$2,387
	DBEPF9630 No Toe	\$2,699
6" Bottom Rail	DBEPF1234	\$543
	DBEPF2434	\$821
	DBEPF3634	\$1,160
	DBEPF4834	\$1,480
	DBEPF6034	\$1,802
	DBEPF7234	\$2,126
	DBEPF8434	\$2,445
	DBEPF9634	\$2,770



### Base Fillers BF



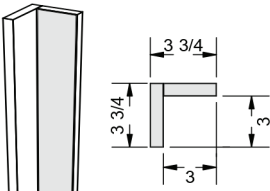
34-1/2"

*BF0334 shown*

- When adding fluting (i.e., w/FL please specify style A or B) add \$119 charge.

BF	BF0334	\$70
	BF0634	\$99
	BF0340	\$82
	BF0640	\$114

### Base Corner Filler BCF



3 3/4"


3"

*BCF33 Shown*

- Standard with STK (Straight Toe Kick) please specify if toe kick is needed

BCF	BCF3334	\$118
	BCF3340	\$144

### Base Filler Overlay BFO




*BFO03 shown*

- Base filler overlays will be a 3/4" slab drawer head with a matching edge profile.
- When adding fluting (i.e., w/FL please specify style A or B) add \$119 charge.
- Intended and sized for full overlay orders.

BFO	BFO0330	\$92
	BFO0340	\$123
	BFO0630	\$119
	BFO0640	\$147

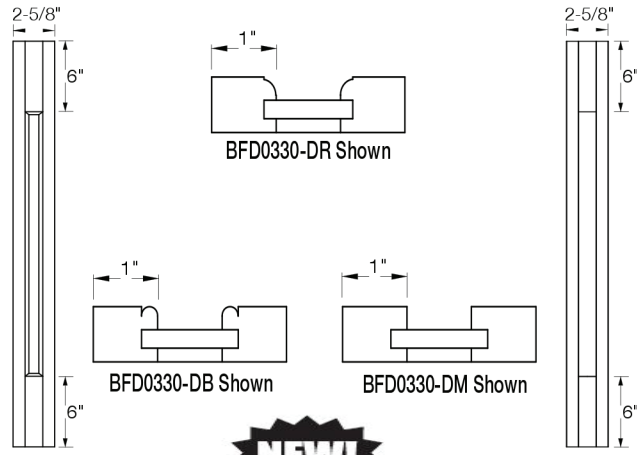
### Base Angled Filler BAF



- When adding fluting (i.e., w/FL please specify style A or B) add \$119 charge.
- Standard with STK (Straight Toe Kick) Please specify if toe kick is needed.

	BAF03L		BAF03R	\$120
--	--------	--	--------	-------

### Base Filler Decor' Overlay



2-5/8"

6"

1"

*BFD0330-DR Shown*

1"

1"

*BFD0330-DB Shown*

*BFD0330-DM Shown*

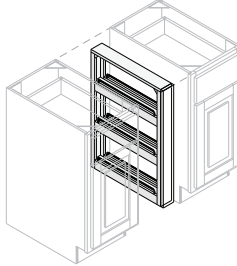
6"

**NEW!**

- Intended and sized for full overlay orders. So if ordered for a 30" high wall cabinet the SKU will be 29-1/4".
- Please see profiles in above image, these are the only profiles available.

	BFD0330-DB	\$124
	BFD0330-DM	\$124
	BFD0330-DR	\$124

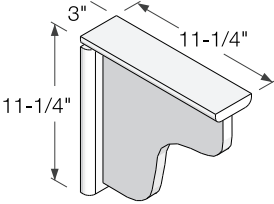
### Base Filler Spice Unit BFSU



- STK required when adding post or spindle option that will go all the way to the floor.
- Remember to order straight toe kick when adjacent cabinets have STK.
- Unit with filler will be installed at 24" depth and will require buildout from adjacent cabinet side.
- Please add for overlay filler or onlay if necessary.
- When adding fluting (i.e., w/FL please specify style A or B) add \$119 charge.
- Includes a 5-7/8" wide filler on the 6" unit.
- Includes a 2-7/8" wide filler on the 3" unit.

BFSU	BFSU03	\$662
	BFSU06	\$770

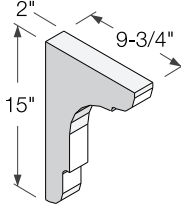
**Knee Brackets** **KB**



*KB11 shown*

<b>KB-11</b>	<b>\$241</b>
--------------	--------------

**Classic Knee Bracket** **CKB**

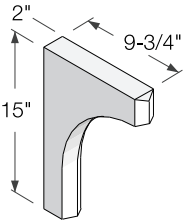


- As a standard this bracket will come with the H-2 lip along both sides. C-2, PRS-2, B-2 and L-149 lips are also available when specified.

*CKB1015 shown*

<b>CKB1015</b>	<b>\$266</b>
----------------	--------------

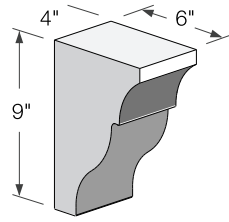
**Thick Knee Bracket** **TKB**



*TKB1015 shown*

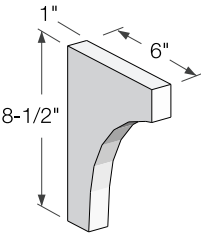
<b>TKB1015</b>	<b>\$266</b>
----------------	--------------

**Thick Knee Bracket Colonial** **TKBC**



<b>TKBC97</b>	<b>\$326</b>
---------------	--------------

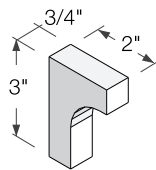
**Simple Bracket** **SBKT**



- This bracket is standard with MS and MSQ series hood to support shelf.

<b>SBKT</b>	<b>\$127</b>
-------------	--------------

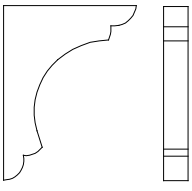
**Mini Knee Bracket** **MKB**



*MKB0203 shown*

<b>MKB0203</b>	<b>\$41</b>
----------------	-------------

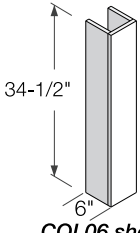
**FB Bracket** **BRK-FB**



Item	W	D	H
2	1-3/4	7-3/4	10
3	1-3/4	9-1/2	12-1/2
4	1-3/4	11	14-3/8

<b>BRK-FB2</b>	<b>\$263</b>
<b>BRK-FB3</b>	<b>\$326</b>
<b>BRK-FB4</b>	<b>\$383</b>

**Column 6"** **COL**

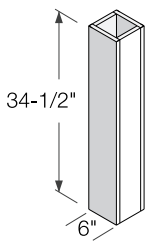


*COL06 shown*

- When adding fluting (i.e., w/FL please specify style A or B) add \$119 charge.
- Coved edge option available, add \$69 per edge.
- 6" wide x 6" deep x 34-1/2" high OA. Solid stock all sides.

<b>COL-6</b>	<b>\$200</b>
--------------	--------------

Four Sided Post FSP



- Add \$119 for fluting type A or B.

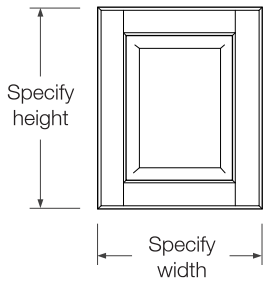
*FSP0634 shown*

3 x 3	FSP0334	\$527
	FSP0360	\$662
	FSP0396	\$922
6 x 6	FSP0634	\$659
	FSP0660	\$821
	FSP0696	\$1,156

**?** *Did You Know?*

Drawer boxes are 3" smaller in depth than the cabinet.

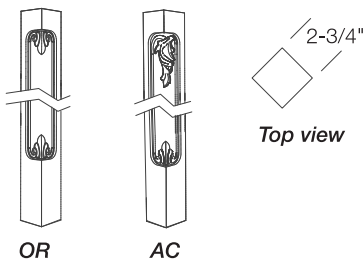
**Dishwasher Front Designer Panel DWF**



- Inset orders will have a door fixed in a frame.
- FHD - Full Height Door will work with most models.

DWF/CMP	DWFD-FHD	\$510
	DWFDw/drw	\$507
	DWFD	\$473
	DWFD-FHDI	\$558
	DWFDw/DRWI	\$564
	CMPT-FHD	\$473

**Base Corner Post Loose LBPC**



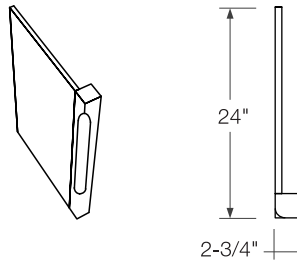
- OR and AC style available. Specify when ordering.
- Available in Hard Maple (paint), Cherry, Walnut and Red Oak. Available in Alder as a substitute for Red Birch.

LBCP0334	\$667
----------	-------

**? Did You Know?**

Your acknowledgement is posted on the extranet in PDF format. Go to <http://extranet.candlelightcab.net> and click on the orders tab.

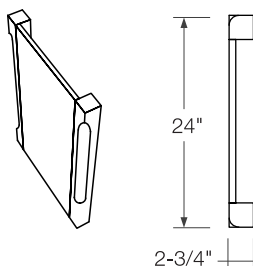
**Base Corner Post w/Return BCP**



- OR and AC style available. Specify when ordering.
- Available in Hard Maple (paint), Cherry, Walnut and Red Oak. Available in Alder as a substitute for Red Birch.
- Standard finished 1 side - N/C (1/4" ear).
- Three other finished end options are available; Flush Finish (add \$335); Frame On End -not active (add \$650) and Integrated Designer Panel (add \$937).
- Non-standard heights must be custom quoted.

BCP0330L	BCP0330R	\$846
BCP0334L	BCP0334R	\$846

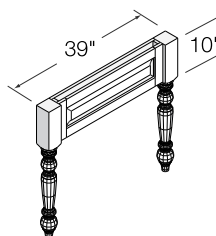
**Pen Base Corner Post w/Return PBCP**



- OR and AC style available. Specify when ordering.
- Available in Hard Maple (paint), Cherry, Walnut and Red Oak. Available in Alder as a substitute for Red Birch.
- Standard finished 1 side, N/C (1/4" ear).
- Three other finished end options are available; Flush Finish (add \$335); Frame On End -not active (add \$650) and Integrated Designer Panel (add \$937).
- Non-standard heights must be custom quoted.
- Can be increased to 24-3/4" deep at no charge.

PBCP0334	\$1,510
PBCP0334.25	\$1,510

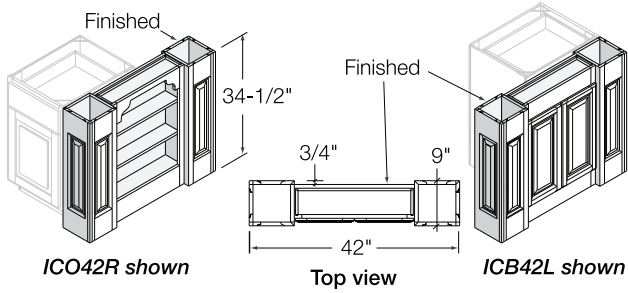
**Snack Bar End Post SEP**



- Available with CFP, EC, EEF, GRF, GRP and GRR legs.
- Inset and Mitered orders will have a frame on end instead of a integrated end panel. Must specify FOE with orders other than Inset or Mitered.

SEP3934	\$2,736
---------	---------

**Island Cap IC**



ICO42R shown

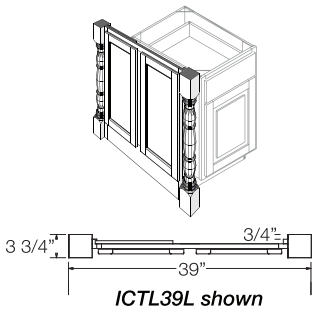
ICB42L shown

Top view

- The width of the back panel should be designed to be 1-1/2" wider than the island cabinets.
- Straight toe kick is standard.
- ICO - specify the top valance.
- ICB interior is finished and ready for PFI or MULL doors.
- Wide top rails are included to mount outlets.
- All sides are finished.

ICB42L	ICB42R	\$3,959
ICO42L	ICO42R	\$6,533

**Island Cap Table Leg ICTL**

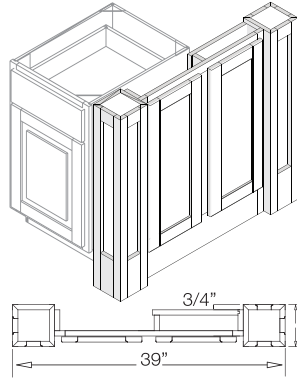


ICTL39L shown

- The width of the back panel should be designed to be 1-1/2" wider than the island cabinets.
- All sides are finished.
- Doors are fixed and the Table legs are included in the price.
- The choice of Table Legs includes, MTP, MCP, GRP, GRF, GRR and ECDS.
- See Individual Table Leg drawings for visual aid. If Table legs are required to be trimmed for ICTL application, Legs will be trimmed from the Top.
- When Ordering with a profiled leg a finished end is required for cabinet behind this SKU. You will be able to see between the frame and post.

ICTL	ICTL39L	\$2,571
	ICTL39R	\$2,571

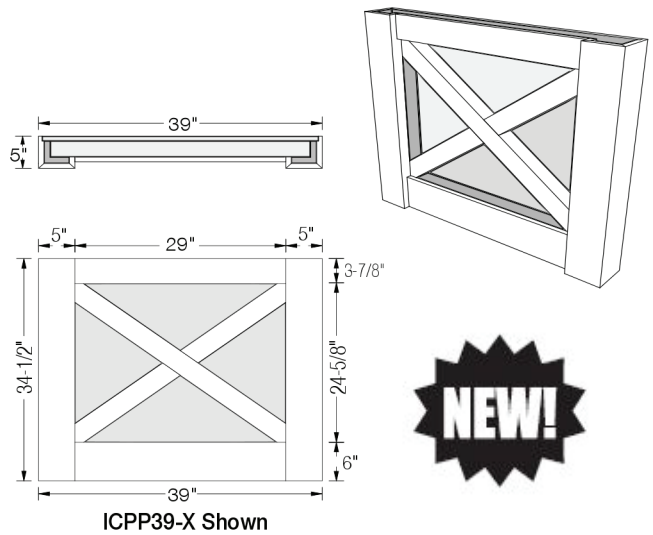
**Island Cap Pilaster ICPP**



- The width of the back panel should be designed to be 1-1/2" wider than the island cabinets.
- All sides are finished.
- Doors are fixed.

ICPP39L	ICPP39R	\$3,646
---------	---------	---------

**Island Cap Pilaster X**



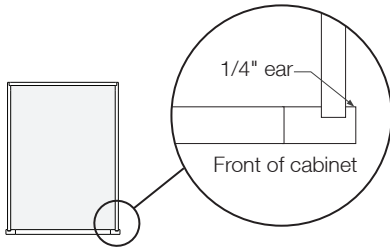
ICPP39-X Shown

- Straight toe kick is standard.
- Wide top rails are included.
- All sides are finished except the back. for a finished back add 3/16" panel to order

ICPP25-X	\$2,488
ICPP39-X	\$3,881
ICPP48-X	\$4,777

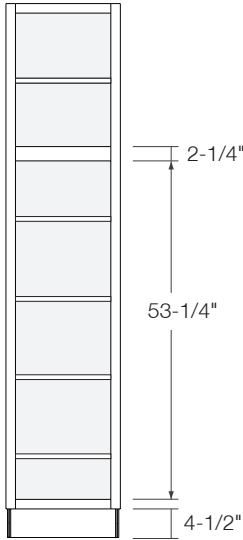
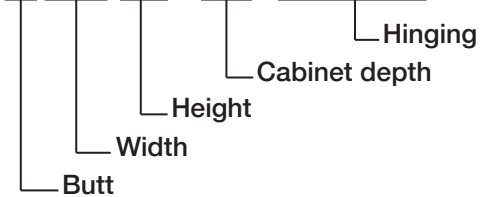
**? Did You Know?**

Drawer boxes are 3" smaller in depth than the cabinet.

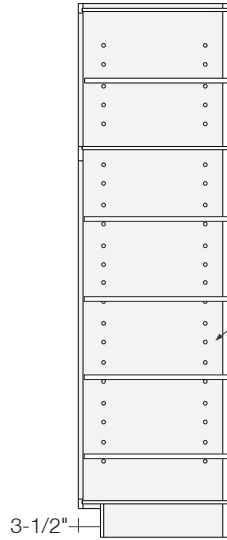


Top view of U1884.24

**UBXXYY.24 L or R**

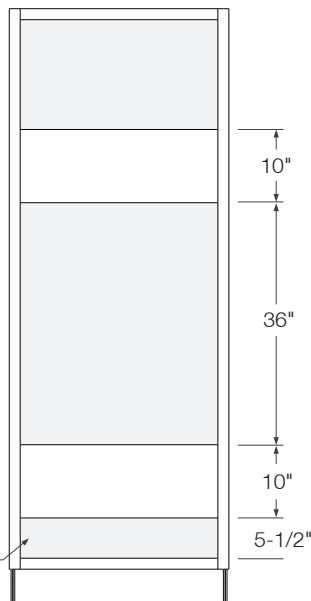
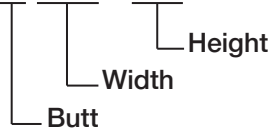


Front view of U1884.24

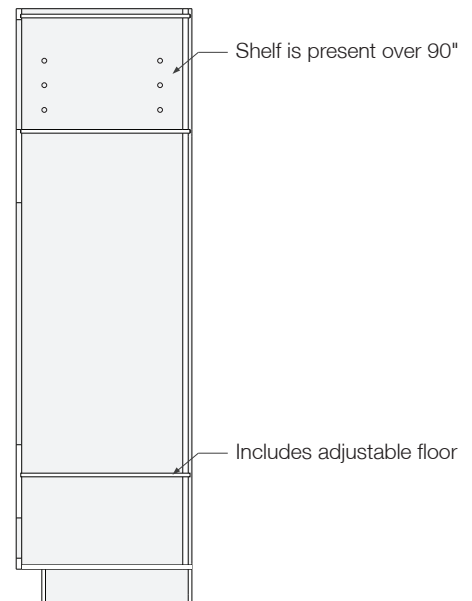


Side sectional elevation of U1884.24

**OCDBXX.YY**



Front view of OCDB30.84



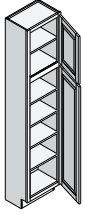
Side sectional elevation of OCDB30.84

- Note: Toe area is unfinished. Order MTK (matching toe kick)
- Ship Toe Loose available. See in Accessories & Modifications section. Add \$52

12" Deep Utility	U	10.1
24" Deep Utility	U	10.2
Clipped Tall End Box	CTEB	10.14
Decorative Pediment	DP	10.17
Decorative Pediment Finial	DPF	10.17
Designer TEP Mortise & Tenon	DTEP	10.12
Designer TEP w/ 3/4" Panel	DTEPP	10.13
Designer Tall End Panel Frame	DTEPF	10.13
Designer Tall End Panel Skin	DTEPS	10.13
Elevated Dishwasher Cabinet	EDC	10.8
Gourmet Pantries	GP	10.4
Gourmet Shelf Pantries	GSP	10.4
Locker Cabinet	LC	10.8
Oven Cabinet Double	OCD	10.7
Oven Cabinet Single	OCS	10.6
Pantry Drawer Cabinets	PD	10.4
Refrigerator Cabinets	RC	10.8
Refrigerator Designer Panels	RFDP	10.9
SubZero Refridgerator Panels	RFDP	10.9
Tall Angled End Cabinet	TAE	10.10
Tall Corner Post Loose	LTCP	10.17
Tall Corner Post w/ Return	TCP	10.17
Tall End Box	TEB	10.14
Tall End Panel 3/4"	TEP	10.11
Tall End Panel w/ Stile	TEP	10.11
Tall Filler Overlay	TFO	10.16
Tall Fillers	TF	10.16
Tall Open Shelf Units	TOSU	10.10
Tall Open Shelf Units w/SQH	TOSU	10.10
Tall Pullout Pantry Unit	TPU	10.5

12" Deep Utility

U



- Cabinet includes shelves (4 shelves) in lower opening. Broom partition is available. Please specify when ordering.
- Mortise and Tenon upper door styles over 48" High will have double raised panels (DRP) split 1/3 top and 2/3 bottom.
- To order non-standard Utility cabinets to line up with the height of your wall cabinets or base cabinets please add the frame modification charge.
- Finished ends on cabinets over 96" are near flush finished. Please remember to add \$478 per side.
- Cabinets over 96" high require an extra 1 week lead time.

84" High	U1284.12L	U1284.12R	\$1,656
	U1584.12L	U1584.12R	\$1,656
	U1884.12L	U1884.12R	\$1,656
	U2184.12L	U2184.12R	\$1,861
	U2484.12L	U2484.12R	\$1,861
		UB2484.12	\$2,177
		UB2784.12	\$2,619
		UB3084.12	\$2,619
		UB3384.12	\$2,753
		UB3684.12	\$2,753
87" High	U1287.12L	U1287.12R	\$2,018
	U1587.12L	U1587.12R	\$2,018
	U1887.12L	U1887.12R	\$2,018
	U2187.12L	U2187.12R	\$2,294
	U2487.12L	U2487.12R	\$2,294
		UB2487.12	\$2,652
		UB2787.12	\$3,217
		UB3087.12	\$3,217
		UB3387.12	\$3,371
		UB3687.12	\$3,371
90" High	U1290.12L	U1290.12R	\$2,018
	U1590.12L	U1590.12R	\$2,018
	U1890.12L	U1890.12R	\$2,018
	U2190.12L	U2190.12R	\$2,294
	U2490.12L	U2490.12R	\$2,294
		UB2490.12	\$2,652
		UB2790.12	\$3,217
		UB3090.12	\$3,217
		UB3390.12	\$3,371
		UB3690.12	\$3,371

Tall Cabinets » Utility Cabinets » 93" High continued...

93" High	U1293.12L	U1293.12R	\$2,027
	U1593.12L	U1593.12R	\$2,027
	U1893.12L	U1893.12R	\$2,027
	U2193.12L	U2193.12R	\$2,304
	U2493.12L	U2493.12R	\$2,304
		UB2493.12	\$2,664
		UB2793.12	\$3,232
		UB3093.12	\$3,232
		UB3393.12	\$3,393
		UB3693.12	\$3,393
96" High	U1296.12L	U1296.12R	\$2,027
	U1596.12L	U1596.12R	\$2,027
	U1896.12L	U1896.12R	\$2,027
	U2196.12L	U2196.12R	\$2,304
	U2496.12L	U2496.12R	\$2,304
		UB2496.12	\$2,664
		UB2796.12	\$3,232
		UB3096.12	\$3,232
		UB3396.12	\$3,393
		UB3696.12	\$3,393
102" High	U12102.12L	U12102.12R	\$2,523
	U15102.12L	U15102.12R	\$2,523
	U18102.12L	U18102.12R	\$2,523
	U21102.12L	U21102.12R	\$2,868
	U24102.12L	U24102.12R	\$2,868
		UB24102.12	\$3,319
		UB27102.12	\$4,025
		UB30102.12	\$4,025
		UB33102.12	\$4,227
		UB36102.12	\$4,227
105" High	U12105.12L	U12105.12R	\$2,586
	U15105.12L	U15105.12R	\$2,586
	U18105.12L	U18105.12R	\$2,586
	U21105.12L	U21105.12R	\$2,956
	U24105.12L	U24105.12R	\$2,956
		UB24105.12	\$3,457
		UB27105.12	\$4,170
		UB30105.12	\$4,170
		UB33105.12	\$4,381
		UB36105.12	\$4,381



Did You Know?

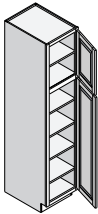
You can now enter orders on-line. Go to <http://extranet.candlelightcab.net> and click on the Easy Price tab.



108" High	U12108.12L	U12108.12R	\$2,679
	U15108.12L	U15108.12R	\$2,679
	U18108.12L	U18108.12R	\$2,679
	U21108.12L	U21108.12R	\$3,023
	U24108.12L	U24108.12R	\$3,023
		UB24108.12	\$3,602
		UB27108.12	\$4,310
		UB30108.12	\$4,310
		UB33108.12	\$4,511
	UB36108.12	\$4,511	
114" High	U12114.12L	U12114.12R	\$2,833
	U15114.12L	U15114.12R	\$2,833
	U18114.12L	U18114.12R	\$2,833
	U21114.12L	U21114.12R	\$3,178
	U24114.12L	U24114.12R	\$3,178
		UB24114.12	\$3,887
		UB27114.12	\$4,593
		UB30114.12	\$4,593
		UB33114.12	\$4,796
	UB36114.12	\$4,796	

87" High	U1287.24L	U1287.24R	\$2,338
	U1587.24L	U1587.24R	\$2,338
	U1887.24L	U1887.24R	\$2,338
	U2187.24L	U2187.24R	\$2,591
	U2487.24L	U2487.24R	\$2,591
		UB2487.24	\$2,951
		UB2787.24	\$3,575
		UB3087.24	\$3,575
		UB3387.24	\$3,799
	UB3687.24	\$3,799	
90" High	U1290.24L	U1290.24R	\$2,338
	U1590.24L	U1590.24R	\$2,338
	U1890.24L	U1890.24R	\$2,338
	U2190.24L	U2190.24R	\$2,591
	U2490.24L	U2490.24R	\$2,591
		UB2490.24	\$2,951
		UB2790.24	\$3,575
		UB3090.24	\$3,575
		UB3390.24	\$3,799
	UB3690.24	\$3,799	
93" High	U1293.24L	U1293.24R	\$2,407
	U1593.24L	U1593.24R	\$2,407
	U1893.24L	U1893.24R	\$2,407
	U2193.24L	U2193.24R	\$2,602
	U2493.24L	U2493.24R	\$2,602
		UB2493.24	\$2,999
		UB2793.24	\$3,595
		UB3093.24	\$3,595
		UB3393.24	\$3,813
	UB3693.24	\$3,813	
96" High	U1296.24L	U1296.24R	\$2,407
	U1596.24L	U1596.24R	\$2,407
	U1896.24L	U1896.24R	\$2,407
	U2196.24L	U2196.24R	\$2,602
	U2496.24L	U2496.24R	\$2,602
		UB2496.24	\$2,999
		UB2796.24	\$3,595
		UB3096.24	\$3,595
		UB3396.24	\$3,813
	UB3696.24	\$3,813	

24" Deep Utility



- Cabinet includes shelves (4 shelves) in lower opening. Rollouts (4 or 5) or broom partition is available. Please specify when ordering.
- To order non-standard Utility cabinets to line up with the height of your wall cabinets or base cabinets please add the frame modification charge.
- Mortise and Tenon upper door styles over 48" High will have double raised panels (DRP) split 1/3 top and 2/3 bottom.
- Finished ends on cabinets over 96" are near flush finished. Please remember to add \$478 per side.
- Cabinets over 96" high require an extra 1 week lead time.

84" High	U1284.24L	U1284.24R	\$1,929
	U1584.24L	U1584.24R	\$1,929
	U1884.24L	U1884.24R	\$1,929
	U2184.24L	U2184.24R	\$2,101
	U2484.24L	U2484.24R	\$2,101
		UB2484.24	\$2,387
		UB2784.24	\$2,956
		UB3084.24	\$2,956
		UB3384.24	\$3,106
	UB3684.24	\$3,106	

**Warning!**

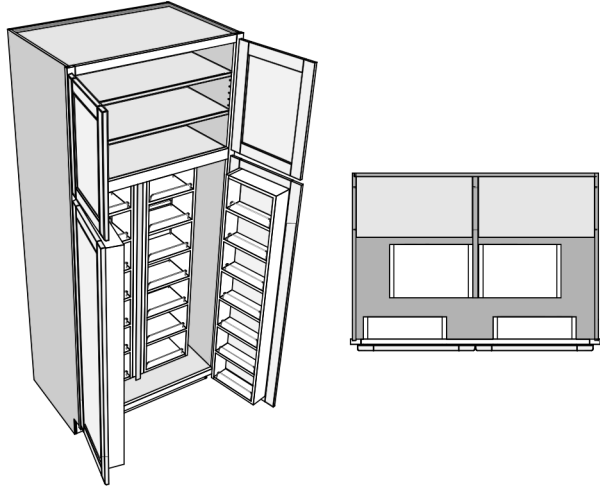
Cabinets over 96" with finished ends require Flush Finished Ends. Remember to add the premium.

102" High	U12102.24L	U12102.24R	\$2,996
	U15102.24L	U15102.24R	\$2,996
	U18102.24L	U18102.24R	\$2,996
	U21102.24L	U21102.24R	\$3,242
	U24102.24L	U24102.24R	\$3,242
		UB24102.24	\$3,734
		UB27102.24	\$4,474
		UB30102.24	\$4,474
		UB33102.24	\$4,749
		UB36102.24	\$4,749
105" High	U12105.24L	U12105.24R	\$3,074
	U15105.24L	U15105.24R	\$3,074
	U18105.24L	U18105.24R	\$3,074
	U21105.24L	U21105.24R	\$3,319
	U24105.24L	U24105.24R	\$3,319
		UB24105.24	\$3,876
		UB27105.24	\$4,616
		UB30105.24	\$4,616
		UB33105.24	\$4,891
		UB36105.24	\$4,891
108" High	U12108.24L	U12108.24R	\$3,152
	U15108.24L	U15108.24R	\$3,152
	U18108.24L	U18108.24R	\$3,152
	U21108.24L	U21108.24R	\$3,396
	U24108.24L	U24108.24R	\$3,396
		UB24108.24	\$4,019
		UB27108.24	\$4,759
		UB30108.24	\$4,759
		UB33108.24	\$5,032
		UB36108.24	\$5,032
114" High	U12114.24L	U12114.24R	\$3,306
	U15114.24L	U15114.24R	\$3,306
	U18114.24L	U18114.24R	\$3,306
	U21114.24L	U21114.24R	\$3,552
	U24114.24L	U24114.24R	\$3,552
		UB24114.24	\$4,305
		UB27114.24	\$5,045
		UB30114.24	\$5,045
		UB33114.24	\$5,318
		UB36114.24	\$5,318

**? Did You Know?**

Our rollouts include the "Blumotion" soft close feature on all cabinets 12" deep or greater.

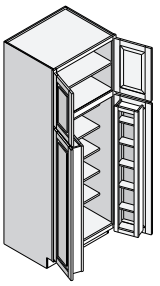
### Gourmet Pantries GP



- Gourmet pantries are standard with butted doors.
- Use a 3" filler against a wall.
- Includes 2 interior swing-out units.
- Shelf units located on each door.

GP	GP3684.24	\$4,922
	GP3687.24	\$5,599
	GP3690.24	\$5,599
	GP3693.24	\$5,613
	GP3696.24	\$5,613

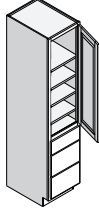
### Gourmet Shelf Pantries GSP



- Gourmet pantries are standard with butted doors.
- Shelves on interior of cabinet.
- Shelf units located on each door.
- 36" units will have center partition.

84" H	GSP1884.24L	GSP1884.24R	\$2,303
		GSPB3684.24	\$3,872
87" H	GSP1887.24L	GSP1887.24R	\$2,702
		GSPB3687.24	\$4,549
90" H	GSP1890.24L	GSP1890.24R	\$2,702
		GSPB3690.24	\$4,549
93" H	GSP1893.24L	GSP1893.24R	\$2,769
		GSPB3693.24	\$4,562
96" H	GSP1896.24L	GSP1896.24R	\$2,769
		GSPB3696.24	\$4,562

### Pantry Drawer Cabinets PD

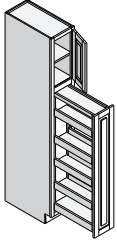


- Bottom drawers will match standard 3 drawer base.
- To have a 4 drawer base please add \$443 modification charge to your cabinet.
- Cabinet includes 4 shelves in upper opening. Rollouts are available. Please specify when ordering. Example PD1884.24L w/ 4 Rollouts.

84" H	PD1884.24L	PD1884.24R	\$2,663
	PD2184.24L	PD2184.24R	\$2,841
		PDB2484.24	\$3,349
		PDB2784.24	\$3,529
		PDB3084.24	\$3,710
		PDB3384.24	\$3,890
	PDB3684.24	\$4,071	
87" H	PD1887.24L	PD1887.24R	\$3,324
	PD2187.24L	PD2187.24R	\$3,503
		PDB2487.24	\$3,637
		PDB2787.24	\$3,815
		PDB3087.24	\$3,996
		PDB3387.24	\$4,173
	PDB3687.24	\$4,357	
90" H	PD1890.24L	PD1890.24R	\$3,324
	PD2190.24L	PD2190.24R	\$3,503
		PDB2490.24	\$3,637
		PDB2790.24	\$3,815
		PDB3090.24	\$3,996
		PDB3390.24	\$4,173
	PDB3690.24	\$4,357	
93" H	PD1893.24L	PD1893.24R	\$3,503
	PD2193.24L	PD2193.24R	\$3,685
		PDB2493.24	\$3,938
		PDB2793.24	\$4,118
		PDB3093.24	\$4,297
		PDB3393.24	\$4,478
	PDB3693.24	\$4,659	
96" H	PD1896.24L	PD1896.24R	\$3,503
	PD2196.24L	PD2196.24R	\$3,685
		PDB2496.24	\$3,938
		PDB2796.24	\$4,118
		PDB3096.24	\$4,297
		PDB3396.24	\$4,478
	PDB3696.24	\$4,659	

Tall Pullout Pantry Unit

TPU

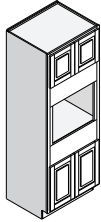


- Openings line up with standard utility cabinet openings.
- Pullout features Heavy Duty soft close under mount tracks.
- Specify hinging L or R of top door when ordering.
- Finished ends on cabinets over 96" are near flush finished. Please remember to add \$478 per side.
- Cabinets over 96" high require an extra 1 week lead time.

84" High	TPU0984.24L	TPU0984.24R	\$3,762
	TPU1284.24L	TPU1284.24R	\$3,887
	TPU1584.24L	TPU1584.24R	\$4,011
	TPU1884.24L	TPU1884.24R	\$4,134
87" High	TPU0987.24L	TPU0987.24R	\$4,257
	TPU1287.24L	TPU1287.24R	\$4,383
	TPU1587.24L	TPU1587.24R	\$4,511
	TPU1887.24L	TPU1887.24R	\$4,528
90" High	TPU0990.24L	TPU0990.24R	\$4,257
	TPU1290.24L	TPU1290.24R	\$4,383
	TPU1590.24L	TPU1590.24R	\$4,511
	TPU1890.24L	TPU1890.24R	\$4,528
93" High	TPU0993.24L	TPU0993.24R	\$4,324
	TPU1293.24L	TPU1293.24R	\$4,451
	TPU1593.24L	TPU1593.24R	\$4,577
	TPU1893.24L	TPU1893.24R	\$4,705
96" High	TPU0996.24L	TPU0996.24R	\$4,324
	TPU1296.24L	TPU1296.24R	\$4,451
	TPU1596.24L	TPU1596.24R	\$4,577
	TPU1896.24L	TPU1896.24R	\$4,705
102" High	TPU09102.24L	TPU09102.24R	\$5,570
	TPU12102.24L	TPU12102.24R	\$5,853
	TPU15102.24L	TPU15102.24R	\$5,912
	TPU18102.24L	TPU18102.24R	\$6,133
105" High	TPU09105.24L	TPU09105.24R	\$5,647
	TPU12105.24L	TPU12105.24R	\$5,930
	TPU15105.24L	TPU15105.24R	\$5,930
	TPU18105.24L	TPU18105.24R	\$6,493
108" High	TPU09108.24L	TPU09108.24R	\$5,724
	TPU12108.24L	TPU12108.24R	\$6,006
	TPU15108.24L	TPU15108.24R	\$6,006
	TPU18108.24L	TPU18108.24R	\$6,568
114" High	TPU09114.24L	TPU09114.24R	\$5,877
	TPU12114.24L	TPU12114.24R	\$6,159
	TPU15114.24L	TPU15114.24R	\$6,159
	TPU18114.24L	TPU18114.24R	\$6,721

# Oven Cabinet Single

OCS



- See Worksheet: **Oven Cabinet Worksheet** (page 4.11)
- Cabinets over 96" high require an extra 1 week lead time.
- 93" and 87" are available at the same price as the 96" and 90" heights.
- 1-Custom cutout add \$331.
- 2-Custom cutouts add \$663.
- 3 Drawers at bottom add 20%.
- OCS31 is 31-1/2" wide. This will allow for a 28-1/2" wide opening without fillers or notches.
- Maximum width of opening is 1-1/2" less than width of cabinet. Without frame on end or integrated designer panel.
- Finished ends on cabinets over 96" are near flush finished. Please remember to add \$478 per side.

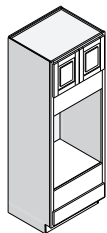
84"		OCSB24.84	\$2,154
		OCSB27.84	\$2,154
	OCS30.84	OCSB30.84	\$2,483
	OCS31.84	OCSB31.84	\$2,483
	OCS33.84	OCSB33.84	\$2,483
84" 3DRW		OCSB24.84-w/3DRW	\$2,585
		OCSB27.84-w/3DRW	\$2,585
	OCS30.84-w/3DRW	OCSB30.84-w/3DRW	\$2,981
	OCS31.84-w/3DRW	OCSB31.84-w/3DRW	\$2,981
	OCS33.84-w/3DRW	OCSB33.84-w/3DRW	\$2,981
87"		OCSB24.87	\$2,495
		OCSB27.87	\$2,495
	OCS30.87	OCSB30.87	\$2,816
	OCS31.87	OCSB31.87	\$2,816
	OCS33.87	OCSB33.87	\$2,816
87" 3DRW		OCSB24.87-w/3DRW	\$2,993
		OCSB27.87-w/3DRW	\$2,993
	OCS30.87-w/3DRW	OCSB30.87-w/3DRW	\$3,378
	OCS31.87-w/3DRW	OCSB31.87-w/3DRW	\$3,378
	OCS33.87-w/3DRW	OCSB33.87-w/3DRW	\$3,378
90"		OCSB24.90	\$2,495
		OCSB27.90	\$2,495
	OCS30.90	OCSB30.90	\$2,816
	OCS31.90	OCSB31.90	\$2,816
	OCS33.90	OCSB33.90	\$2,816
90" 3DRW		OCSB24.90-w/3DRW	\$2,993
		OCSB27.90-w/3DRW	\$2,993
	OCS30.90-w/3DRW	OCSB30.90-w/3DRW	\$3,378
	OCS31.90-w/3DRW	OCSB31.90-w/3DRW	\$3,378
	OCS33.90-w/3DRW	OCSB33.90-w/3DRW	\$3,378

Tall Cabinets » Appliance Cabinets » 93" continued...

93"		OCSB24.93	\$2,563
		OCSB27.93	\$2,563
	OCS30.93	OCSB30.93	\$2,936
	OCS31.93	OCSB31.93	\$2,936
	OCS33.93	OCSB33.93	\$2,936
93" 3DRW		OCSB24.93-w/3DRW	\$3,075
		OCSB27.93-w/3DRW	\$3,075
	OCS30.93-w/3DRW	OCSB30.93-w/3DRW	\$3,523
	OCS31.93-w/3DRW	OCSB31.93-w/3DRW	\$3,523
	OCS33.93-w/3DRW	OCSB33.93-w/3DRW	\$3,523
96"		OCSB24.96	\$2,563
		OCSB27.96	\$2,563
	OCS30.96	OCSB30.96	\$2,936
	OCS31.96	OCSB31.96	\$2,936
	OCS33.96	OCSB33.96	\$2,936
96" 3DRW		OCSB24.96-w/3DRW	\$3,075
		OCSB27.96-w/3DRW	\$3,075
	OCS30.96-w/3DRW	OCSB30.96-w/3DRW	\$3,523
	OCS31.96-w/3DRW	OCSB31.96-w/3DRW	\$3,523
	OCS33.96-w/3DRW	OCSB33.96-w/3DRW	\$3,523
102"		OCSB24.102	\$3,480
		OCSB27.102	\$3,480
		OCSB30.102	\$3,989
		OCSB31.102	\$3,989
		OCSB33.102	\$3,989
102" 3DRW		OCSB24.102-W/3DRW	\$4,175
		OCSB27.102-W/3DRW	\$4,175
		OCSB30.102-W/3DRW	\$4,787
		OCSB31.102-W/3DRW	\$4,787
		OCSB33.102-W/3DRW	\$4,787
105"		OCSB24.105	\$3,623
		OCSB27.105	\$3,623
		OCSB30.105	\$4,131
		OCSB31.105	\$4,131
		OCSB33.105	\$4,131
105" 3DRW		OCSB24.105-W/3DRW	\$4,346
		OCSB27.105-W/3DRW	\$4,346
		OCSB30.105-W/3DRW	\$4,957
		OCSB31.105-W/3DRW	\$4,957
		OCSB33.105-W/3DRW	\$4,957
108"		OCSB24.108	\$3,764
		OCSB27.108	\$3,764
		OCSB30.108	\$4,272
		OCSB31.108	\$4,272
		OCSB33.108	\$4,272

108" 3DRW	OCSB24.108-W/3DRW	\$4,517
	OCSB27.108-W/3DRW	\$4,517
	OCSB30.108-W/3DRW	\$5,125
	OCSB31.108-W/3DRW	\$5,125
	OCSB33.108-W/3DRW	\$5,125
114"	OCSB24.114	\$4,050
	OCSB27.114	\$4,050
	OCSB30.114	\$4,556
	OCSB31.114	\$4,556
	OCSB33.114	\$4,556
114" 3DRW	OCSB24.114-W/3DRW	\$4,858
	OCSB27.114-W/3DRW	\$4,858
	OCSB30.114-W/3DRW	\$5,469
	OCSB31.114-W/3DRW	\$5,469
	OCSB33.114-W/3DRW	\$5,469

Oven Cabinet Double **OCD**



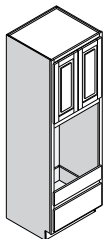
- See Worksheet: **Oven Cabinet Worksheet** (page 4.11)
- 1-Custom cutout add \$331.
- 2-Custom cutouts add \$663.
- Optional Deep Drawer w/8-1/4" opening (w/DD) add \$174.
- w/ Deep Drawer option, cabinet will have a standard 32-3/4" H opening, this is trimmable up to a 48" H opening.
- Maximum width of opening is 1-1/2" less than width of cabinet. Without frame on end or integrated designer panel.
- 93" and 87" are available at the same price as the 96" and 90" heights.
- OCS31 is 31-1/2" wide. This will allow for a 28-1/2" wide opening without fillers or notches.
- Finished ends on cabinets over 96" are near flush finished. Please remember to add \$478 per side.
- Cabinets over 96" high require an extra 1 week lead time.

84"	OCDB24.84	\$2,115	
	OCDB27.84	\$2,115	
	OCD30.84	OCDB30.84	\$2,480
	OCD31.84	OCDB31.84	\$2,480
	OCD33.84	OCDB33.84	\$2,480
84" w/DD	OCDB24.84-w/DD	\$2,296	
	OCDB27.84-w/DD	\$2,296	
	OCD30.84-w/DD	OCDB30.84-w/DD	\$2,660
	OCD31.84-w/DD	OCDB31.84-w/DD	\$2,660
	OCD33.84-w/DD	OCDB33.84-w/DD	\$2,660

87"	OCDB24.87	\$2,458	
	OCDB27.87	\$2,458	
	OCD30.87	OCDB30.87	\$2,888
	OCD31.87	OCDB31.87	\$2,888
	OCD33.87	OCDB33.87	\$2,888
87" w/DD	OCDB24.87-w/DD	\$2,637	
	OCDB27.87-w/DD	\$2,637	
	OCD30.87-w/DD	OCDB30.87-w/DD	\$2,637
	OCD31.87-w/DD	OCDB31.87-w/DD	\$2,816
	OCD33.87-w/DD	OCDB33.87-w/DD	\$3,069
90"	OCDB24.90	\$2,458	
	OCDB27.90	\$2,458	
	OCD30.90	OCDB30.90	\$2,888
	OCD31.90	OCDB31.90	\$2,888
	OCD33.90	OCDB33.90	\$2,888
90" w/DD	OCDB24.90-w/DD	\$2,637	
	OCDB27.90-w/DD	\$2,637	
	OCD30.90-w/DD	OCDB30.90-w/DD	\$3,069
	OCD31.90-w/DD	OCDB31.90-w/DD	\$3,069
	OCD33.90-w/DD	OCDB33.90-w/DD	\$3,069
93"	OCDB24.93	\$2,660	
	OCDB27.93	\$2,660	
	OCD30.93	OCDB30.93	\$3,074
	OCD31.93	OCDB31.93	\$3,074
	OCD33.93	OCDB33.93	\$3,074
93" w/DD	OCDB24.93-w/DD	\$2,660	
	OCDB27.93-w/DD	\$2,660	
	OCD30.93-w/DD	OCDB30.93-w/DD	\$3,255
	OCD31.93-w/DD	OCDB31.93-w/DD	\$3,255
	OCD33.93-w/DD	OCDB33.93-w/DD	\$3,255
96"	OCDB24.96	\$2,660	
	OCDB27.96	\$2,660	
	OCD30.96	OCDB30.96	\$3,074
	OCD31.96	OCDB31.96	\$3,074
	OCD33.96	OCDB33.96	\$3,074
96" w/DD	OCDB24.96-w/DD	\$2,839	
	OCDB27.96-w/DD	\$2,839	
	OCD30.96-w/DD	OCDB30.96-w/DD	\$3,255
	OCD31.96-w/DD	OCDB31.96-w/DD	\$3,255
	OCD33.96-w/DD	OCDB33.96-w/DD	\$3,255
102"	OCDB24.102	\$3,480	
	OCDB27.102	\$3,480	
	OCDB30.102	\$3,989	
	OCDB31.102	\$3,989	
	OCDB33.102	\$3,989	

102" w/DD	OCDB24.102-W/DD	\$3,654
	OCDB27.102-W/DD	\$3,654
	OCDB30.102-W/DD	\$4,163
	OCDB31.102-W/DD	\$4,163
	OCDB33.102-W/DD	\$4,163
105"	OCDB24.105	\$3,623
	OCDB27.105	\$3,623
	OCDB30.105	\$4,131
	OCDB31.105	\$4,131
	OCDB33.105	\$4,131
105" w/DD	OCDB24.105-W/DD	\$3,818
	OCDB27.105-W/DD	\$3,818
	OCDB30.105-W/DD	\$4,328
	OCDB31.105-W/DD	\$4,328
	OCDB33.105-W/DD	\$4,328
108"	OCDB24.108	\$3,960
	OCDB27.108	\$3,960
	OCDB30.108	\$4,470
	OCDB31.108	\$4,470
	OCDB33.108	\$4,470
108" w/DD	OCDB24.108-W/DD	\$4,134
	OCDB27.108-W/DD	\$4,134
	OCDB30.108-W/DD	\$4,644
	OCDB31.108-W/DD	\$4,644
	OCDB33.108-W/DD	\$4,644
114"	OCDB24.114	\$4,245
	OCDB27.114	\$4,245
	OCDB30.114	\$4,755
	OCDB31.114	\$4,755
	OCDB33.114	\$4,755
114" w/DD	OCDB24.114-W/DD	\$4,418
	OCDB27.114-W/DD	\$4,418
	OCDB30.114-W/DD	\$4,929
	OCDB31.114-W/DD	\$4,929
	OCDB33.114-W/DD	\$4,929

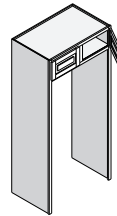
**Elevated Dishwasher Cabinet EDC**



- See Worksheet: **Oven Cabinet Worksheet** (page 4.11)
- 34-1/2" H opening for dishwasher.
- 93" and 87" are available at the same price as the 96" and 90" heights.

EDC	EDCB2784	\$2,376
	EDCB2790	\$2,694
	EDCB2796	\$2,727

**Refrigerator Cabinets RC**

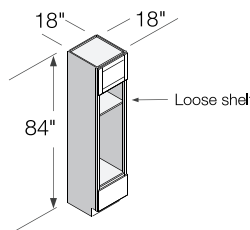


RC3984 shown

- All heights will have 69" bottom opening.
- Width of opening is 3" less than cabinet width.
- Custom opening add 10%.
- Add for finished ends.
- 93" and 87" are available at the same price as the 96" and 90" heights.
- Finished ends on cabinets over 96" are near flush finished. Please remember to add \$478 per side.
- Cabinets over 96" high require an extra 1 week lead time.
- Doors are held up 13/16" for fridge hinge clearance.

84"	RC3384	RCB3384	\$1,598
	RC3684	RCB3684	\$1,626
	RC3984	RCB3984	\$1,692
87"	RC3387	RCB3387	\$1,723
	RC3687	RCB3687	\$1,758
	RC3987	RCB3987	\$1,788
90"	RC3390	RCB3390	\$1,723
	RC3690	RCB3690	\$1,758
	RC3990	RCB3990	\$1,788
93"	RC3393	RCB3393	\$1,846
	RC3693	RCB3693	\$1,892
	RC3993	RCB3993	\$1,924
96"	RC3396	RCB3396	\$1,846
	RC3696	RCB3696	\$1,892
	RC3996	RCB3996	\$1,924
102"		RCB33102	\$2,507
		RCB36102	\$2,570
		RCB39102	\$2,615
105"		RCB33105	\$2,650
		RCB36105	\$2,712
		RCB39105	\$2,757
108"		RCB33108	\$2,791
		RCB36108	\$2,855
		RCB39108	\$2,900
114"		RCB33114	\$3,076
		RCB36114	\$3,139
		RCB39114	\$3,185

**Locker Cabinet LC**

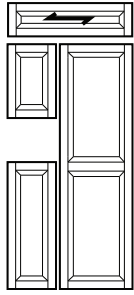


LC1884.18L shown

- Shelf ships loose with shelf pins to be positioned where desired. No shelf holes will be drilled.
- Interior is finished.
- Coat hooks are not included.

	LC1884.18L	LC1884.18R	\$1,636
	LC2184.18L	LC2184.18R	\$1,722

Refrigerator Designer Panels **RFDP**



- Please provide model name and number as we can confirm all specifications.
- Consider the amount of doors needed for your setup. Each door will be subject to a door upcharge in addition to the list price of the panels.

RFDPxxO	RFDP36 O	\$1,615
	RFDP30 O	\$1,615
	RFDP42 O	\$1,770
	RFDP48 O	\$1,871
RFDPxxF	RFDP30 F	\$1,615
	RFDP36 F	\$1,709
	RFDP42 F	\$1,770
	RFDP48 F	\$1,871
RFDPxxD	RFDP30 D	\$1,615
	RFDP42 D	\$1,770
	RFDP48 D	\$1,871
	RFDP36 D	\$1,615

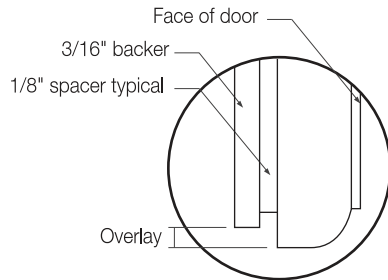
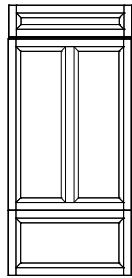
Tall Cabinets » Appliance Cabinets » Integrate continued...

Integrate	RFDP ID-24 Panels	\$517
	RFDP ID-27 Panels	\$583
	RFDP ID-30 Panels	\$648
	RFDP ID-36 Panels	\$779
	RFDP IT-30 Panels	\$1,724
	RFDP IT-36 Panels	\$2,073

**?** *Did You Know?*

Our oven cabinets with a custom cutout feature an open back to insure a proper fit.

SubZero Refridgerator Panels **RFDP**



*RFDP BI-36U O shown*

- We have all Subzero panel dimensions available. Please specify model number when ordering.

Overlay	RFDP36 KFCO22EVBL	\$1,646
	RFDP30 700TCI	\$1,646
	RFDP30 700TR	\$1,646
	RFDP36 BI-36R/F O	\$1,569
	RFDP36 BI-36U/O	\$1,569
	RFDP36 BI-36UFD/O	\$1,569
	RFDP36 BI-36S/O	\$1,569
	RFDP42 BI-42UFD/O	\$1,719
	RFDP42 BI-42S/O	\$1,719
	RFDP42 BI-42SD/O	\$1,719
	RFDP48 BI-48S/O	\$1,818
	RFDP48 BI-48SD/O	\$1,818



**Tall Angled End Cabinet TAE**

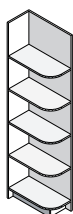


- Specify hinging if other than L, R.
- Includes shelves.
- Remember to add \$181 per tall finished end.
- Flush Finished ends are not available.
- FI-Wainscote is not available.

TAE2490 R shown

TAE	TAE2484L	TAE2484R	\$2,977
	TAE2487L	TAE2487R	\$3,318
	TAE2490L	TAE2490R	\$3,318
	TAE2493L	TAE2493R	\$3,384
	TAE2496L	TAE2496R	\$3,384

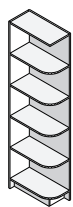
**Tall Open Shelf Units TOSU**



- Unit is actually 12" or 24" deep.
- 84" H and 90" H will have 4 shelves.
- 96" H will have 5 shelves.
- 93" and 87" are available at the same price as the 96" and 90" heights.
- Specify L or R for which side of the cabinet it will be applied to.

12" Deep	TOSU1284.12	\$1,471
	TOSU1290.12	\$1,569
	TOSU1296.12	\$1,668
24" Deep	TOSU1284.24	\$2,036
	TOSU1290.24	\$2,172
	TOSU1296.24	\$2,309

**Tall Open Shelf Units w/SQH TOSU**



- Unit is actually 12" or 24" deep.
- 84" H and 90" H will have 4 shelves.
- 96" H will have 5 shelves.
- Please specify if you require a square bottom shelf.
- Specify L or R for which side of the cabinet it will be applied to.
- 93" and 87" are available at the same price as the 96" and 90" heights.

12" Deep	TOSU1284.12-W/SQH	\$1,573
	TOSU1290.12-W/SQH	\$1,672
	TOSU1296.12-W/SQH	\$1,771
24" Deep	TOSU1284.24-W/SQH	\$2,136
	TOSU1290.24-W/SQH	\$2,275
	TOSU1296.24-W/SQH	\$2,412

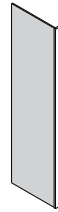
Tall End Panel 3/4"		TEP
84"	TEP751284	\$342
	TEP752484	\$488
	TEP753084	\$637
87"	TEP751287	\$447
	TEP752487	\$642
	TEP753087	\$837
90"	TEP751290	\$447
	TEP752490	\$642
	TEP753090	\$837
93"	TEP751293	\$447
	TEP752493	\$642
	TEP753093	\$837
96"	TEP751296	\$447
	TEP752496	\$642
	TEP753096	\$837
102"	TEP7512102	\$703
	TEP7524102	\$955
	TEP7530102	\$1,206
105"	TEP7512105	\$1,084
	TEP7524105	\$1,348
	TEP7530105	\$1,611
108"	TEP7512108	\$738
	TEP7524108	\$1,014
	TEP7530108	\$1,290
114"	TEP7512114	\$775
	TEP7524114	\$1,080
	TEP7530114	\$1,383

**Warning!**

Cabinets over 96" with finished ends require Flush Finished Ends. Remember to add the premium.

Tall End Panel w/ Stile		TEP		
84"	TEP151284L	TEP151284R	\$223	
	TEP152484L	TEP152484R	\$312	
	TEP153084L	TEP153084R	\$408	
	TEP031284L	TEP031284R	\$223	
	TEP032484L	TEP032484R	\$312	
	TEP033084L	TEP033084R	\$408	
	87"	TEP151287L	TEP151287R	\$284
		TEP152487L	TEP152487R	\$406
		TEP153087L	TEP153087R	\$523
		TEP031287L	TEP031287R	\$284
		TEP032487L	TEP032487R	\$406
	90"	TEP151290L	TEP151290R	\$284
		TEP152490L	TEP152490R	\$406
		TEP153090L	TEP153090R	\$523
		TEP031290L	TEP031290R	\$284
TEP032490L		TEP032490R	\$406	
93"	TEP033090L	TEP033090R	\$523	
	TEP151293L	TEP151293R	\$284	
	TEP152493L	TEP152493R	\$406	
	TEP153093L	TEP153093R	\$523	
	TEP031293L	TEP031293R	\$284	
96"	TEP032493L	TEP032493R	\$406	
	TEP033093L	TEP033093R	\$523	

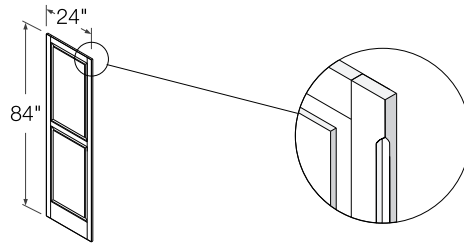
TEP032484L shown



- Panels include finished end charge.
- To finish both sides of a TEP15 or TEP03 add additional Tall finished end charge (\$182).
- Please specify if fluting is to be added to filler piece.
- Standard with straight toe kick. Please specify for toe notch Add: \$59 list.
- When adding fluting (i.e., w/FL please specify style A or B) add \$194 charge. Available 3" and 6" wide only.
- Can be ordered with frame on end mod or integrated designer panel.
- Finished ends on TEP's over 96" are near flush finished. Please remember to add \$478 per side.
- TEP's over 96" high require an extra 1 week lead time.

96"	TEP151296L	TEP151296R	\$284
	TEP152496L	TEP152496R	\$406
	TEP153096L	TEP153096R	\$523
	TEP031296L	TEP031296R	\$284
	TEP032496L	TEP032496R	\$406
	TEP033096L	TEP033096R	\$523
102"	TEP1512102L	TEP1512102R	\$551
	TEP1524102L	TEP1524102R	\$681
	TEP1530102L	TEP1530102R	\$812
	TEP0312102L	TEP0312102R	\$551
	TEP0324102L	TEP0324102R	\$681
	TEP0330102L	TEP0330102R	\$812
105"	TEP1512105L	TEP1512105R	\$758
	TEP1524105L	TEP1524105R	\$901
	TEP1530105L	TEP1530105R	\$1,045
	TEP0312105L	TEP0312105R	\$758
	TEP0324105L	TEP0324105R	\$901
	TEP0330105L	TEP0330105R	\$1,045
108"	TEP1512108L	TEP1512108R	\$600
	TEP1524108L	TEP1524108R	\$759
	TEP1530108L	TEP1530108R	\$916
	TEP0312108L	TEP0312108R	\$600
	TEP0324108L	TEP0324108R	\$759
	TEP0330108L	TEP0330108R	\$916
114"	TEP1512114L	TEP1512114R	\$661
	TEP1524114L	TEP1524114R	\$850
	TEP1530114L	TEP1530114R	\$1,038
	TEP0312114L	TEP0312114R	\$661
	TEP0324114L	TEP0324114R	\$850
	TEP0330114L	TEP0330114R	\$1,038

Designer TEP Mortise & Tenon **DTEP**



DTEP2484-PER shown

- Mortise and Tenon 3/4" will have machine lip. Please specify side to have profile. i.e., DBEP2434-PEL will be for a right side of the cabinet, PEB will be for an island application and PEN will receive no profile if you desire a more integrated look.
- Please specify if you require a deleted toe.

7" Bottom Rail	DTEP1284	\$791
	DTEP2484	\$1,440
	DTEP3084	\$2,183
	DTEP1287	\$820
	DTEP2487	\$1,490
	DTEP3087	\$2,249
	DTEP1290	\$848
	DTEP2490	\$1,542
	DTEP3090	\$2,312
	DTEP1293	\$877
	DTEP2493	\$1,592
	DTEP3093	\$2,376
	DTEP1296	\$877
	DTEP2496	\$1,645
	DTEP3096	\$2,441

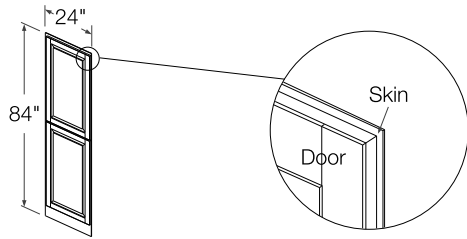
**Warning!**

Cabinets over 96" with finished ends require Flush Finished Ends. Remember to add the premium.

**? Did You Know?**

You can now enter orders on-line. Go to <http://extranet.candlelightcab.net> and click on the Easy Price tab.

**Designer Tall End Panel Skin DTEPS**



DTEPS2484-SDR shown

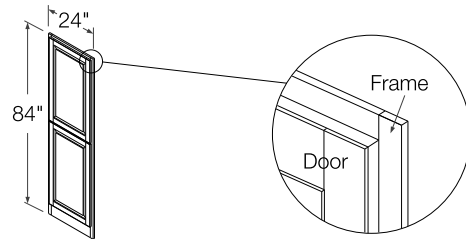
- Please specify what side of the cabinet this will be placed on. i.e., (DTEPS2484-SDL) Shift Door Left is for Right Side of Cabinet, (SDR) Shift Door Right for Left Side of Cabinet and (CD) Center Door for Island applications.
- Doors on panel will have two door upcharges.
- Please specify if you require a deleted toe.
- Typically used with mitered style doors.

STK	DTEPS1284	\$973
	DTEPS2484	\$1,752
	DTEPS3084	\$2,552
	DTEPS1287	\$1,003
	DTEPS2487	\$1,804
	DTEPS3087	\$2,615
	DTEPS1290	\$1,031
	DTEPS2490	\$1,855
	DTEPS3090	\$2,678
	DTEPS1293	\$1,056
	DTEPS2493	\$1,904
	DTEPS3093	\$2,741
	DTEPS1296	\$1,086
	DTEPS2496	\$1,954
	DTEPS3096	\$2,801

**Warning!**

Cabinets over 96" with finished ends require Flush Finished Ends. Remember to add the premium.

**Designer Tall End Panel Frame DTEPF**

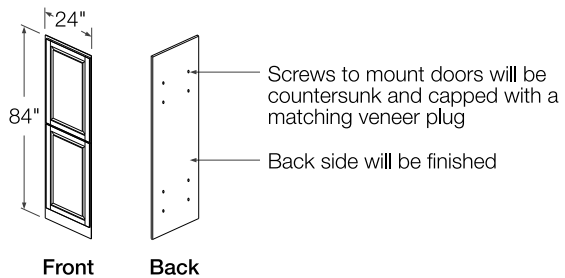


DTEPF2484 shown

- Doors on frame will have two equal height door on a 3/4" frame to be 1-1/2" thick overall.
- Please specify if you require a deleted toe.

6" Bottom Rail	DTEPF1284	\$1,122
	DTEPF2484	\$1,780
	DTEPF3084	\$2,519
	DTEPF1287	\$1,156
	DTEPF2487	\$1,836
	DTEPF3087	\$2,590
	DTEPF1290	\$1,190
	DTEPF2490	\$1,836
	DTEPF3090	\$2,659
	DTEPF1293	\$1,224
	DTEPF2493	\$1,953
	DTEPF3093	\$2,730
	DTEPF1296	\$1,261
	DTEPF2496	\$2,009
	DTEPF3096	\$2,798

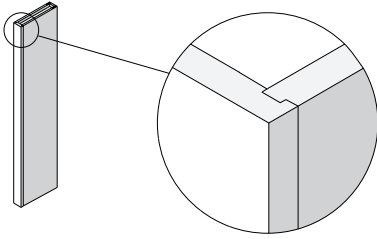
**Designer TEP w/ 3/4" Panel DTEPP**



- Doors on panel will have two equal height door on a 3/4" TEP75 Panel to be 1-1/2" thick overall.
- Two door upcharges will be needed for this setup.
- Specify if doors are to line up with adjacent cabinets if necessary.
- The two long edges will be banded, please specify any other edges that need to be banded

DTEPP	DTEPP2484	\$1,504
	DTEPP3084	\$2,256

**Tall End Box TEB**



- When adding fluting (i.e., w/FL please specify style A or B) add \$194 charge.
- Includes flush finished end both. Cost of box can be reduced if flush end not needed please specify when ordering.
- Can be ordered with frame on end mod or integrated designer panel.
- 
- TEB's over 96" high require an extra 1 week lead time.

84"	TEB0384.15	\$837
	TEB0384.24	\$1,111
	TEB0384.30	\$1,500
	TEB0684.15	\$971
	TEB0684.24	\$1,265
	TEB0684.30	\$1,651
87"	TEB0387.15	\$971
	TEB0387.24	\$1,265
	TEB0387.30	\$1,520
	TEB0687.15	\$995
	TEB0687.24	\$1,305
	TEB0687.30	\$1,693
90"	TEB0390.15	\$858
	TEB0390.24	\$1,133
	TEB0390.30	\$1,520
	TEB0690.15	\$995
	TEB0690.24	\$1,305
	TEB0690.30	\$1,693
93"	TEB0393.15	\$1,015
	TEB0393.24	\$1,153
	TEB0393.30	\$1,735
	TEB0693.15	\$1,015
	TEB0693.24	\$1,345
	TEB0693.30	\$1,735
96"	TEB0396.15	\$880
	TEB0396.24	\$1,345
	TEB0396.30	\$1,541
	TEB0696.15	\$1,015
	TEB0696.24	\$1,345
	TEB0696.30	\$1,735

Tall Cabinets » Tall End Panels » 102" continued...

102"	TEB03102.15	\$1,692
	TEB03102.24	\$2,223
	TEB03102.30	\$3,219
	TEB06102.15	\$1,890
	TEB06102.24	\$2,418
	TEB06102.30	\$3,412
105"	TEB03105.15	\$2,443
	TEB03105.24	\$2,971
	TEB03105.30	\$3,968
	TEB06105.15	\$2,638
	TEB06105.24	\$3,167
	TEB06105.30	\$4,164
108"	TEB03108.15	\$2,006
	TEB03108.24	\$2,534
	TEB03108.30	\$3,530
	TEB06108.15	\$2,199
	TEB06108.24	\$2,728
	TEB06108.30	\$3,726
114"	TEB03114.15	\$2,317
	TEB03114.24	\$2,846
	TEB03114.30	\$3,842
	TEB06114.15	\$2,395
	TEB06114.24	\$2,925
	TEB06114.30	\$3,922

**Clipped Tall End Box CTEB**




CTEB0384R shown

- When adding fluting (i.e., w/FL please specify style A or B) add \$194 charge.
- Unit is 3-1/2" wide for 3" and 6-1/2" wide for 6".
- Includes finished end on 21" deep side 3" clip.
- Includes finished end on 18" deep side 6" clip.
- Finished ends on cabinets over 96" are near flush finished. Please remember to add \$478 per side.
- Cabinets over 96" high require an extra 1 week lead time.

84"	CTEB0384L	CTEB0384R	\$942
	CTEB0684L	CTEB0684R	\$1,106
87"	CTEB0387L	CTEB0387R	\$1,035
	CTEB0687L	CTEB0687R	\$1,200
90"	CTEB0390L	CTEB0390R	\$1,035
	CTEB0690L	CTEB0690R	\$1,200
93"	CTEB0393L	CTEB0393R	\$1,126
	CTEB0693L	CTEB0693R	\$1,291

Tall Cabinets » Tall End Panels » 96" continued...

96"	CTEB0396L	CTEB0396R	\$1,126
	CTEB0696L	CTEB0696R	\$1,291

 **Warning!**

Cabinets over 96" with finished ends require Flush Finished Ends. Remember to add the premium.

**Tall Fillers** **TF**



- When adding fluting, i.e., w/FL please specify style A or B, add \$194 charge.

*TF0384 shown*

84	TF0384	\$159
	TF0684	\$279
87	TF0387	\$165
	TF0687	\$290
90	TF0390	\$170
	TF0690	\$300
93	TF0393	\$175
	TF0693	\$309
96	TF0396	\$181
	TF0696	\$320
102	TF03102	\$193
	TF06102	\$339
105	TF03105	\$199
	TF06105	\$351
108	TF03108	\$205
	TF06108	\$360
114	TF03114	\$215
	TF06114	\$380

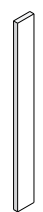
Tall Cabinets » Fillers » 102 continued...

102	TFO03102	\$273
	TFO06102	\$417
105	TFO03105	\$282
	TFO06105	\$430
108	TFO03108	\$290
	TFO06108	\$442
114	TFO03114	\$306
	TFO06114	\$468

**? Did You Know?**

Your acknowledgement is posted on the extranet in PDF format. Go to <http://extranet.candlelightcab.net> and click on the orders tab.

**Tall Filler Overlay** **TFO**

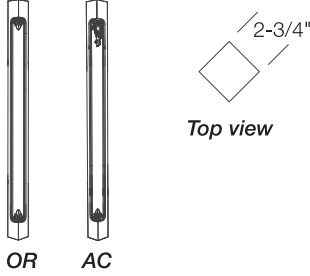


- Tall filler overlays will be a 3/4" slab drawer head with a matching edge profile.
- When adding fluting i.e., w/FL please specify style A or B and add \$194 charge.
- Intended and sized for full overlay orders.

*TFO03 shown*

84	TFO0384	\$194
	TFO0684	\$346
87	TFO0387	\$210
	TFO0687	\$376
90	TFO0390	\$219
	TFO0690	\$360
93	TFO0393	\$228
	TFO0693	\$414
96	TFO0396	\$259
	TFO0696	\$392

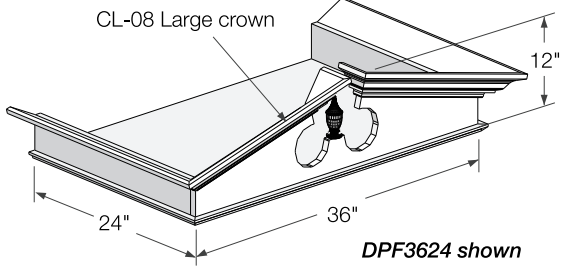
### Tall Corner Post Loose LTCP



- OR and AC style available. Specify when ordering.
- Available in Hard Maple (paint), Cherry, Walnut and Red Oak. Available in Alder as a substitute for Red Birch.
- Non-standard heights must be custom quoted.

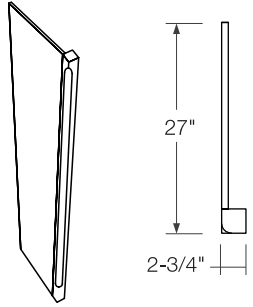
LTCP	LTCP84	\$1,584
	LTCP90	\$1,665
	LTCP96	\$1,801

### Decorative Pediment Finial DPF



DPF	DPF3624	\$3,008
	DPF4824	\$3,058
	DPF5424	\$3,140
	DPF6024	\$3,283

### Tall Corner Post w/ Return TCP



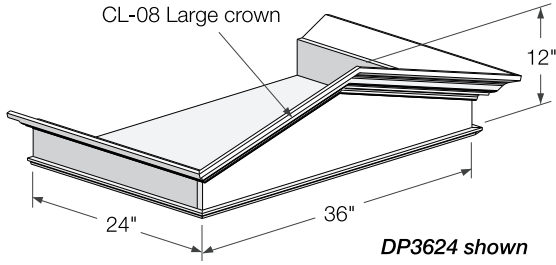
- OR and AC style available. Specify when ordering.
- Available in Hard Maple (paint), Cherry, Walnut and Red Oak. Available in Alder as a substitute for Red Birch.
- Standard finished 1 side - N/C (1/4" ear).
- Three other finished end options are available; Flush Finish (add \$478); Frame On End -not active (add \$1173) and Integrated Designer Panel (add \$2126).
- Non-standard heights must be custom quoted.

TCP	TCP0384L	TCP0384R	\$1,902
	TCP0390L	TCP0390R	\$1,985
	TCP0396L	TCP0396R	\$2,120

### ? Did You Know?

Your acknowledgement is posted on the extranet in PDF format. Go to <http://extranet.candlelightcab.net> and click on the orders tab.

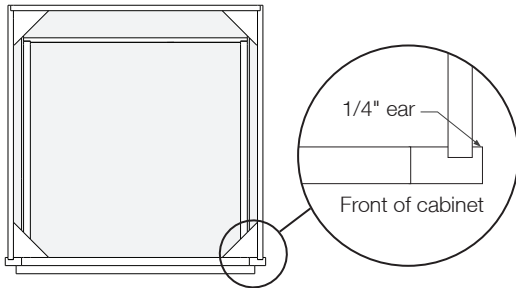
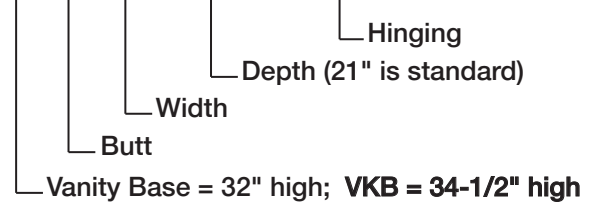
### Decorative Pediment DP



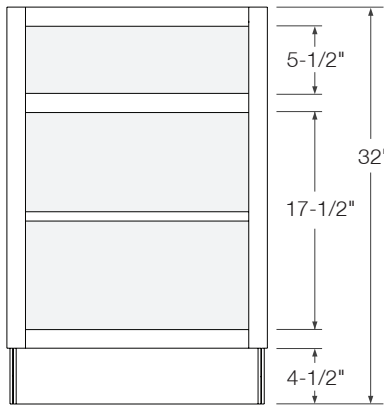
DP	DP3624	\$2,247
	DP4824	\$2,284
	DP5424	\$2,345
	DP6024	\$2,472



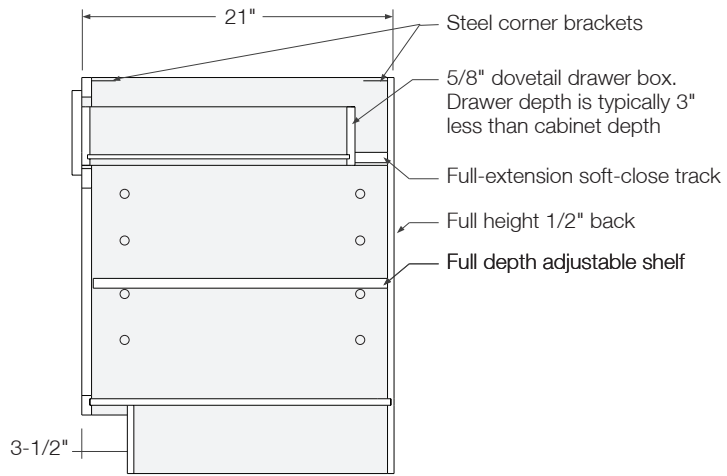
**VBBXX.18 L or R**



Top view of VB21

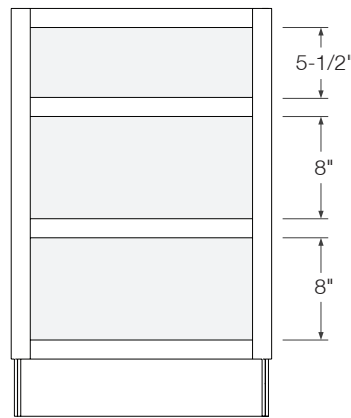
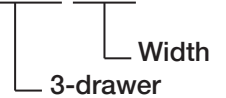


Front view of VB21



Side sectional elevation of VB21

**VBDXX**



Front view of VBD21

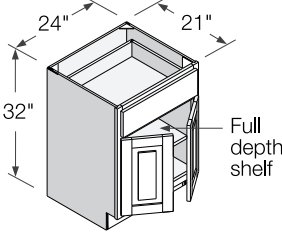
- 18" deep and or 34-1/2" high vanities can be ordered at the same cost
- Note: Toe area is unfinished. Order MTK (matching toe kick)

Decorative Vanity Platform	DVP	11.12
Designer VEP Mortise & Tenon	DVEP	11.12
Designer Vanity End Panel Frame	DVEPF	11.13
Designer Vanity End Panel Skin	DVEPS	11.13
Medicine Cabinet	MC	11.8
Medicine Cabinet 18	MC18	11.9
Mirror Frames	MF	11.14
Mirror Mold	MM	11.14
TV Light Fixture Mod	LFM	11.9
Towel Bar Shelf	TBS	11.12
Tri-View Mirror	TV	11.9
Under Cabinet Shelf	UCCS	11.14
Vanity 2 Deep Drawer	V2DD	11.4
Vanity Appliance Garage	VAG	11.8
Vanity Base	VB	11.1
Vanity Base Angled End	VBA	11.4
Vanity Base Combo	VBC	11.2
Vanity Base Combo w/6 Drawers	VBC	11.3
Vanity Base Drawer	VBD	11.3
Vanity Base Full Height	VBFH	11.1
Vanity Combo Reverse	VBCR	11.3
Vanity Combo Reverse 7 Drawer	VBCR	11.3
Vanity Diagonal End	VDEB	11.4
Vanity Diagonal End 12-1/2"	VDE12.5	11.4
Vanity End Panel 3/4"	VEP	11.12
Vanity End Panel Taper	VEPT	11.12
Vanity End Panel w/ Stile	VEP	11.12
Vanity Filler Overlay	VFO	11.13
Vanity Fillers	VF	11.13
Vanity Hamper Tilt-Out	VHT	11.1
Vanity Linen Cabinet	VLC	11.10
Vanity Linen w/Hamper	VHTLC	11.11
Vanity Sink	VSF	11.1
Vanity Sink Fronts	VSF	11.2
Vanity Sink Sq Post with Drawer	VSSPD	11.7
Vanity Sink Square Post	VSSP	11.7
Vanity Sink Tapered Post	VSTAP	11.6
Vanity Sink Tapered Post W/ Slatted Shelf	VSTAPSS	11.7
Vanity Sink Tapered Post w/ Shelf	VSTAPS	11.6
Vanity Sink Turned Post	VSTP	11.7
Vanity Sink w/2 Drawers	VSF_02	11.2
Vanity Sink w/3 Drawers	VSF_03	11.2
Vanity Tambour Cabinet	VTC	11.8
Vanity Utility	VUC	11.10
Vanity Utility Butt	VUCB	11.11
Vanity Wall Boutique	VWB	11.8
Vanity Wall Hung	VWH	11.5
Vanity Wall Hung Drawer	VWHD	11.5
Wall Mirror	WM	11.13

Wall Mirror Topper

WMT 11.14

### Vanity Base VB

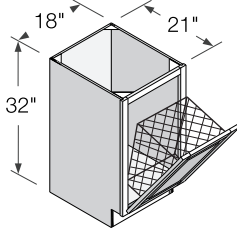


- Can be ordered at 34-1/2" H and or 18" deep at no additional charge. Designate VKBB24 for 34-1/2" H and VBB24.18 for 18" deep.

*VBB24 shown*

VB12L	VB12R	\$809
VB15L	VB15R	\$850
VB18L	VB18R	\$904
VB21L	VB21R	\$952
VB24L	VB24R	\$1,209
	VBB24	\$1,225
	VBB27	\$1,267
	VBB30	\$1,267
	VBB33	\$1,427
	VBB36	\$1,427

### Vanity Hamper Tilt-Out VHT

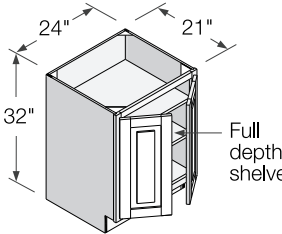


- Only available in 21" deep cabinet.
- Epoxy coated tilt-out hamper unit standard.
- Can be ordered at 34-1/2" H at no additional charge. Designate VKHT18 for 34-1/2" H.
- Cabinet includes 2 Lid stay units to hold Hamper unit open.

*VHT18 shown*

VHT15	\$1,249
VHT18	\$1,317
VHT18 Hamper Unit Only	\$272
VHT21	\$1,347

### Vanity Base Full Height VBFH

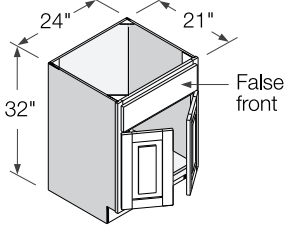


- Includes 2 full depth shelves.
- Can be ordered at 34-1/2" H and or 18" deep at no additional charge. Designate VKBFHB24 for 34-1/2" H and VBFHB24.18 for 18" deep.

*VBFHB24 shown*

VBFH12L	VBFH12R	\$759
VBFH15L	VBFH15R	\$759
VBFH18L	VBFH18R	\$759
VBFH21L	VBFH21R	\$839
VBFH24L	VBFH24R	\$839
	VBFHB24	\$859
	VBFHB27	\$877
VBFH30	VBFHB30	\$877
VBFH33	VBFHB33	\$959
VBFH36	VBFHB36	\$959

### Vanity Sink VSB



- False front on top.
- Can be ordered at 34-1/2" H and or 18" deep at no additional charge. Designate VKSBB24 for 34-1/2" H and VSBB24.18 for 18" deep.

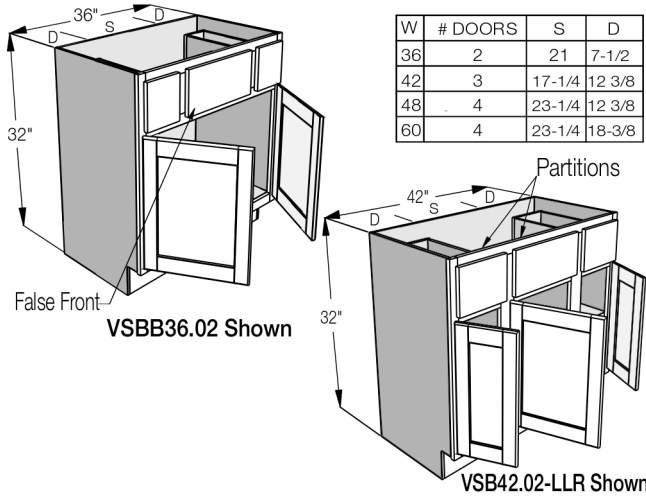
*VSBB24 shown*

VSB18L	VSB18R	\$741
VSB21L	VSB21R	\$781
VSB24L	VSB24R	\$852
	VSBB24	\$852
	VSBB27	\$852
	VSBB30	\$934
	VSBB33	\$1,028
	VSBB36	\$1,028

**? Did You Know?**

Our rollouts include the "Blumotion" soft close feature on all cabinets 12" deep or greater.

**Vanity Sink w/2 Drawers VSB\_.02**

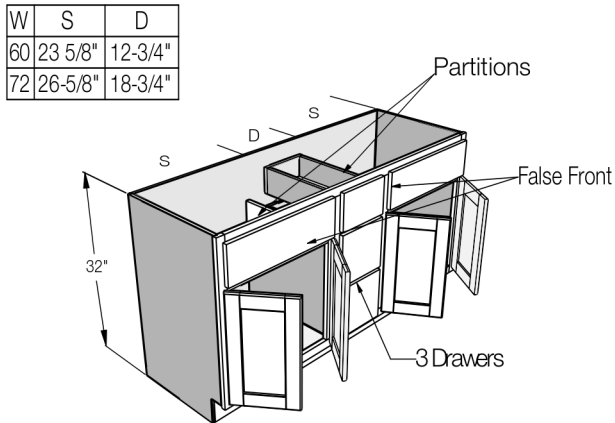


W	# DOORS	S	D
36	2	21	7-1/2
42	3	17-1/4	12 3/8
48	4	23-1/4	12 3/8
60	4	23-1/4	18-3/8

- VSB36.02 will have butted doors at bottom.
- Can be ordered at 34-1/2" H and or 18" deep at no additional charge. Designate VKSB36.02 for 34-1/2" H and VSB36.02.18 for 18" deep.
- Cabinet includes partitions left and/or right of the drawer bank which is held down to allow for sinks

	VSB36.02	\$1,412
VSB42.02-LLR	VSB42.02-LRR	\$1,515
VSB48.02-LLRR	VSB48.02-RLRL	\$1,606
VSB60.02-LLRR	VSB60.02-RLRL	\$1,838

**Vanity Sink w/3 Drawers VSB\_.03**

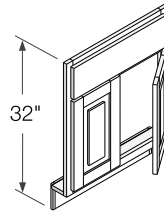


W	S	D
60	23 5/8"	12-3/4"
72	26-5/8"	18-3/4"

- Can be ordered at 34-1/2" H and or 18" deep at no additional charge. Designate VKSB\_.03 for 34-1/2" H and VSB\_.03.18 for 18" Deep.
- Cabinet includes 2 partitions left and right of the drawer bank which is held down to allow for sinks

VSB60.03	\$2,094
VSB72.03	\$2,622

**Vanity Sink Fronts VSF**

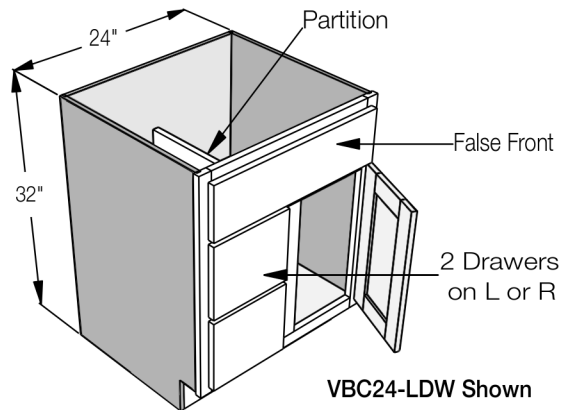


- Not trimmable.
- Use Base Sink Fronts for 34-1/2" H.
- Includes loose floor.

VSFB24 shown

VSF18L	VSF18R	\$509
	VSFB24	\$552
	VSFB27	\$609
	VSFB30	\$609
	VSFB33	\$722
	VSFB36	\$722

**Vanity Base Combo VBC**



VBC24-LDW Shown

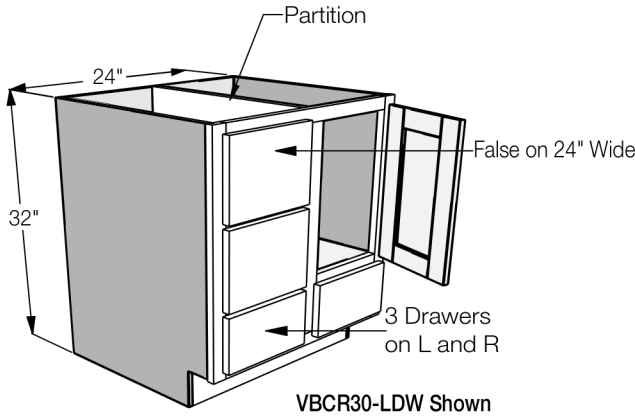
- Specify drawers L or R. Door will be hinged opposite.
- Drawers and Door are equally split left and right with a 3" wide mid-stile as standard.
- Can be ordered at 34-1/2" H and or 18" deep at no additional charge. Designate VKBC24-LDW for 34-1/2" H and VBC24-LDW.18 for 18" deep.
- Cabinet includes partitions left and/or right of the drawer bank which is held down to allow for sinks

VBC24-LDW	VBC24-RDW	\$1,232
VBC27-LDW	VBC27-RDW	\$1,329
VBC30-LDW	VBC30-RDW	\$1,329
VBC33-LDW	VBC33-RDW	\$1,417
VBC36-LDW	VBC36-RDW	\$1,417
VBC39-LDW	VBC39-RDW	\$1,515

**? Did You Know?**

The Euro FO hinge gives a tight 1/8" reveal.

Vanity Combo Reverse **VBCR**



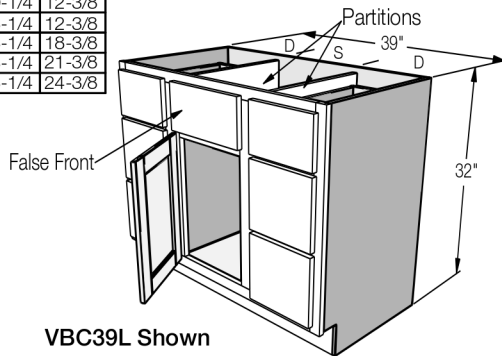
VBCR30-LDW Shown

- Specify drawers L or R. Door will be hinged opposite.
- Drawers are 12" wide regardless of cabinet width.
- Can be ordered at 34-1/2" H and or 18" deep at no additional charge. Designate VKBCR24-LDW for 34-1/2" H and VBCR24-LDW.18 for 18" deep.
- Cabinet includes partitions left and/or right of the drawer bank

VBCR24-LDW	VBCR24-RDW	\$1,424
VBCR30-LDW	VBCR30-RDW	\$1,519
VBCR36-LDW	VBCR36-RDW	\$1,604
VBCR42-LDW	VBCR42-RDW	\$1,780

Vanity Base Combo w/6 Drawers **VBC**

W	# Doors	S	D
39	1	14-1/4	12-3/8
42	1	17-1/4	12-3/8
45	1	20-1/4	12-3/8
48	2	23-1/4	12-3/8
60	2	23-1/4	18-3/8
66	2	23-1/4	21-3/8
72	2	23-1/4	24-3/8

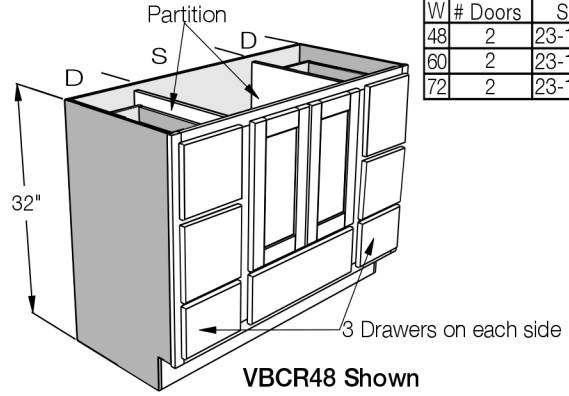


VBC39L Shown

- Can be ordered at 34-1/2" high and or 18" deep at no additional charge. Designate VKBC\_\_ for 34-1/2" H and VBC\_\_.18 for 18" deep.
- Cabinet includes Partitions to separate drawer banks from cabinet interior.

VBC39L	VBC39R	\$2,332
VBC42L	VBC42R	\$2,332
VBC45L	VBC45R	\$2,532
	VBCB48	\$2,532
	VBCB60	\$2,852
	VBCB66	\$3,241
	VBCB72	\$3,533

Vanity Combo Reverse 7 Drawer **VBCR**



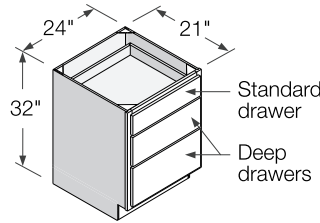
VBCR48 Shown

W	# Doors	S	D
48	2	23-1/4	12-3/8
60	2	23-1/4	18-3/8
72	2	23-1/4	24-3/8

- Can be ordered at 34-1/2" high and or 18" deep at no additional charge. Designate VKBCR\_\_ for 34-1/2" H and VBCR\_\_.18 for 18" deep.
- Cabinet includes Partitions to separate drawer banks from cabinet interior.

VBCR48	\$2,924
VBCR60	\$3,460
VBCR72	\$3,882

Vanity Base Drawer **VBD**



VBD24 shown

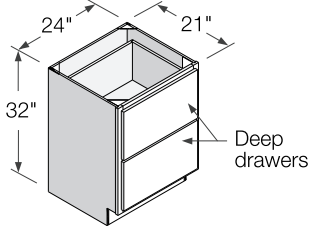
- Top drawer is standard with two deep drawers below.
- Can be ordered at 34-1/2" H and or 18" deep at no additional charge. Designate VKBD24.03 for 34-1/2" H and VBD24.18 for 18" deep.

VBD12	\$1,215
VBD15	\$1,249
VBD18	\$1,301
VBD21	\$1,362
VBD24	\$1,419
VBD27	\$1,479
VBD30	\$1,540

**? Did You Know?**

Our rollouts include the "Blumotion" soft close feature on all cabinets 12" deep or greater.

### Vanity 2 Deep Drawer V2DD

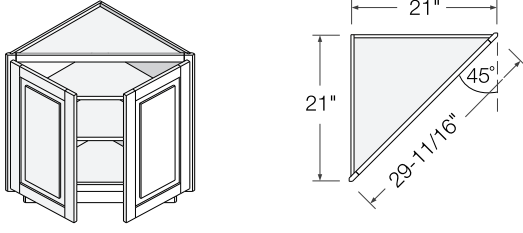


- Will receive (2) 7" deep drawer boxes.
- Can be ordered at 34-1/2" H and or 18" deep at no additional charge. Designate VK2DD24 for 34-1/2" H and V2DD24.18 for 18" deep.

**V2DD24 shown**

V2DD18	\$1,167
V2DD21	\$1,270
V2DD24	\$1,373
V2DD27	\$1,603
V2DD30	\$1,705
V2DD33	\$1,791
V2DD36	\$1,838

### Vanity Diagonal End VDEB

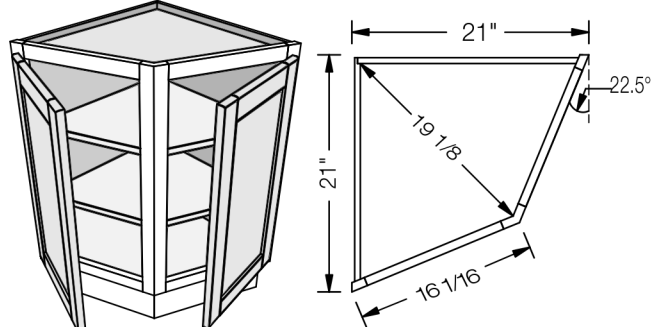


**VBDEB 21 R shown** **Top view**

- Can be ordered at 34-1/2" H at no additional charge. Designate VKDEB21L for 34-1/2" H or VKDEB18L for 34-1/2" H.

VDEB18L	VDEB18R	\$1,309
VDEB21L	VDEB21R	\$1,309
VKDEB18L	VKDEB18R	\$1,309
VKDEB21L	VKDEB21R	\$1,309

### Vanity Base Angled End VBA

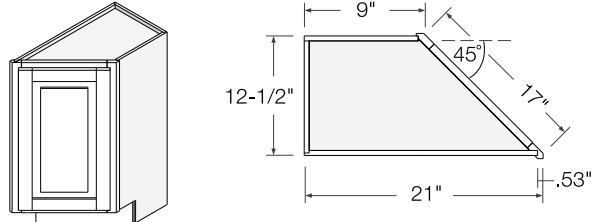


**VBAE21R Shown** **Top View**

- Can be ordered at 34-1/2" H and or 18" deep at no additional charge. Designate VKBAE21L for 34-1/2" H and VKBAE18L for 18" deep.

VBAE18L	VBAE18R	\$1,389
VBAE21L	VBAE21R	\$1,389
VKBAE18L	VKBAE18R	\$1,389
VKBAE21L	VKBAE21R	\$1,389

### Vanity Diagonal End 12-1/2" VDE12.5



**VDE12.5R shown** **Top view**

- Can be ordered at 34-1/2" H and or 18" deep at no additional charge. Designate VKDE12.5R for 34-1/2" H and VDE12.5R.18 for 18" deep.

VDE12.5L	VDE12.5R	\$1,088
----------	----------	---------

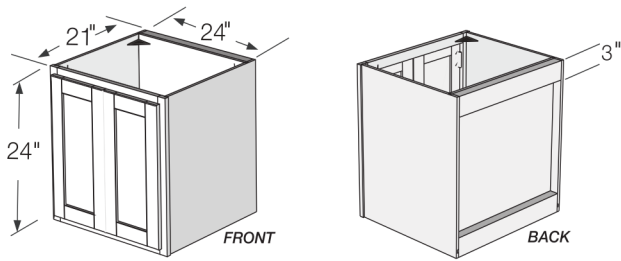
**? Did You Know?**

The Euro FO hinge gives a tight 1/8" reveal.

**? Did You Know?**

Our rollouts include the "Blumotion" soft close feature on all cabinets 12" deep or greater.

Vanity Wall Hung VWH

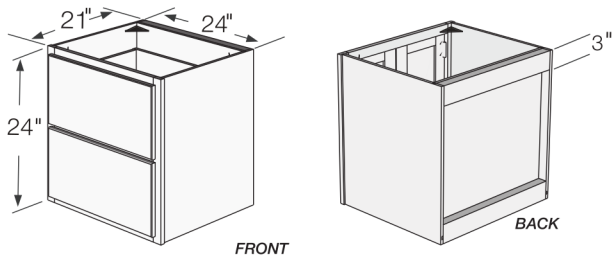


**VWHB2424 shown**

- A 2x4 mounted to the wall will help hold the cabinet until it is secured with 5" truss head screws (not included).
- Back is recessed 1-1/2" with hardwood cleats at the top and bottom.

VWHB2424	\$768
VWHB2724	\$817
VWHB3024	\$866
VWHB3324	\$917
VWHB3624	\$967

Vanity Wall Hung Drawer VWHD

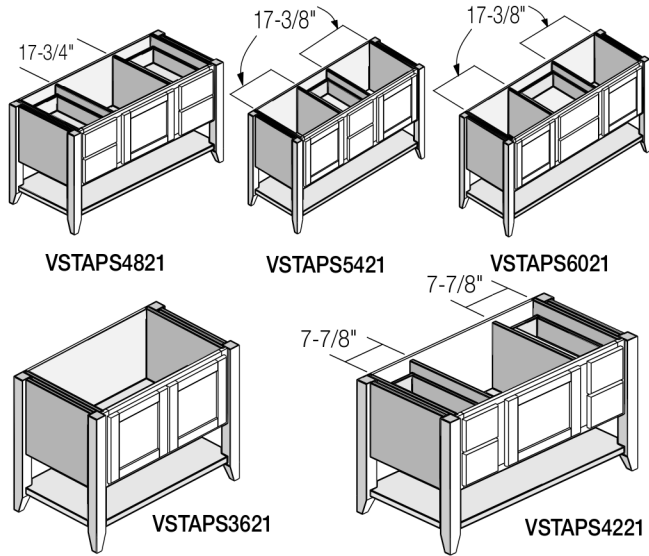


**VWHD2424.02 shown**

- Back is recessed 1-1/2" with hardwood cleats at the top and bottom.
- A 2x4 mounted to the wall will help hold the cabinet until it is secured with 5" truss head screws (not included).

VWHD2424.02	\$1,086
VWHD2724.02	\$1,136
VWHD3024.02	\$1,185
VWHD3324.02	\$1,236
VWHD3624.02	\$1,287

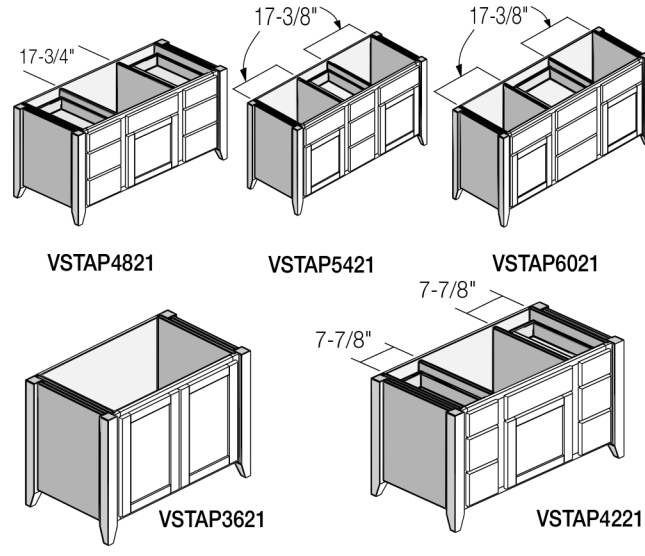
**Vanity Sink Tapered Post w/ Shelf VSTAPS**



- The price includes finished ends.
- Can be ordered 34-1/2" H and 18" deep at no additional charge. Designate VKSTAPS4821 for 34-1/2" H and VSTAPS4818 for 18" deep.

VSTAPS2421	\$1,782
VSTAPS2721	\$1,887
VSTAPS3021	\$1,984
VSTAPS3321	\$2,043
VSTAPS3621	\$2,214
VSTAPS3921	\$2,341
VSTAPS4221	\$3,346
VSTAPS4821	\$3,557
VSTAPS5421	\$3,657
VSTAPS6021	\$3,757

**Vanity Sink Tapered Post VSTAP**



- The price includes finished ends.
- Can be ordered 34-1/2" H and 18" deep at no additional charge. Designate VKSTAP4821 for 34-1/2" H and VSTAP4818 for 18" deep.

VSTAP2421	\$1,993
VSTAP2721	\$2,098
VSTAP3021	\$2,195
VSTAP3321	\$2,254
VSTAP3621	\$2,425
VSTAP3921	\$2,658
VSTAP4221	\$3,509
VSTAP4821	\$3,768
VSTAP5421	\$3,868
VSTAP6021	\$3,968

**? Did You Know?**

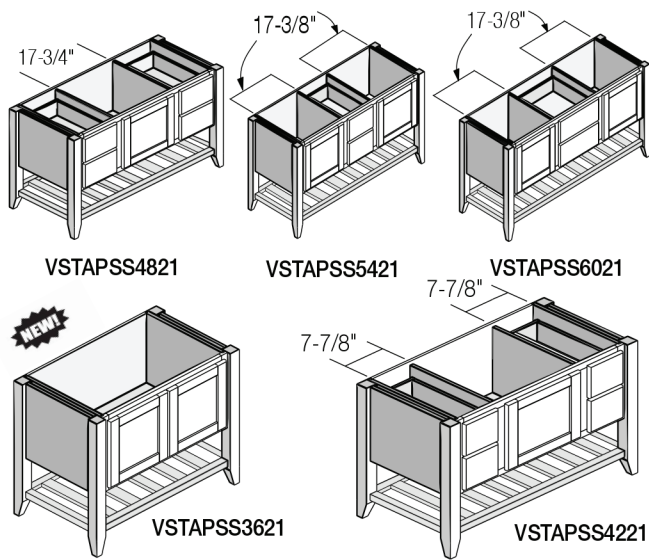
Drawer boxes are 3" smaller in depth than the cabinet.

**? Did You Know?**

Your acknowledgement is posted on the extranet in PDF format. Go to <http://extranet.candlelightcab.net> and click on the orders tab.



### Vanity Sink Tapered Post W/ Slatted VSTAPSS

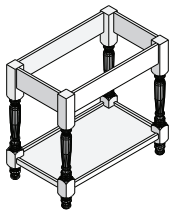


**NEW!**

- The price includes finished ends.
- Can be ordered 34-1/2" H and 18" deep at no additional charge. Designate VKSTAPSS4821 for 34-1/2" H and VSTAPSS4818 for 18" deep.

VSTAPSS2421	\$2,300
VSTAPSS2721	\$2,404
VSTAPSS3021	\$2,502
VSTAPSS3321	\$2,561
VSTAPSS3621	\$2,731
VSTAPSS3921	\$2,859
VSTAPSS4221	\$4,381
VSTAPSS4821	\$4,282
VSTAPSS5421	\$4,381
VSTAPSS6021	\$4,482

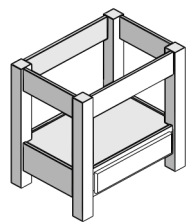
### Vanity Sink Turned Post VSTP



- The price includes finished ends.
- Post shown is the only turned post available.
- Square posts are available, specify VSSPxxxx instead of VSTPxxxx and deduct \$173.
- Can be ordered 34-1/2" H and 18" deep at no additional charge. Designate VKSTP3621 for 34-1/2" H and VSTP3618 for 18" deep.

VSTP2421	\$1,985
VSTP2721	\$2,059
VSTP3021	\$2,110
VSTP3321	\$2,149
VSTP3621	\$2,209

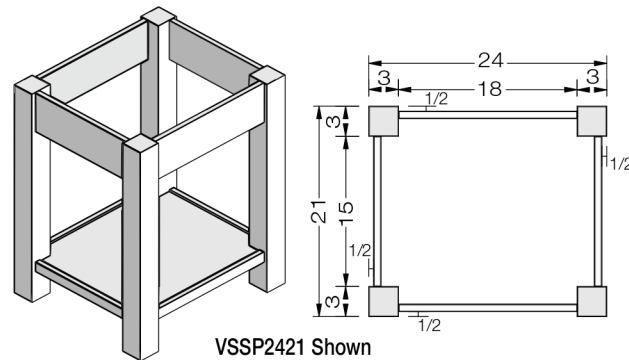
### Vanity Sink Sq Post with Drawer VSSPD



- The price includes finished ends.
- Can be ordered 34-1/2" H and 18" deep at no additional charge. Designate VKSSPD3621 for 34-1/2" H and VSSPD3618 for 18" deep.

VSSPD2421	\$2,140
VSSPD2721	\$2,215
VSSPD3021	\$2,266
VSSPD3321	\$2,303
VSSPD3621	\$2,367

### Vanity Sink Square Post VSSP



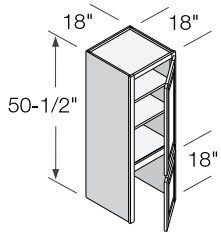
- The price includes finished ends.
- Can be ordered 34-1/2" H and 18" deep at no additional charge. Designate VKSSP4821 for 34-1/2" H and VSSP4818 for 18" deep.

VSSP2421	\$1,796
VSSP2721	\$1,871
VSSP3021	\$1,922
VSSP3321	\$1,960
VSSP3621	\$2,022

### ? Did You Know?

Your acknowledgement is posted on the extranet in PDF format. Go to <http://extranet.candlelightcab.net> and click on the orders tab.

**Vanity Appliance Garage VAG**

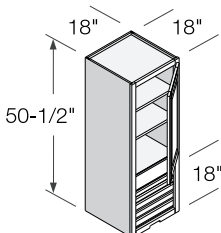


VAG1850.18R shown

- Designed to set on counter. Finished ends included with cabinet. Order acknowledgment will show as broken down charge but when added to case cost will be equal to cost listed in the book.
- Preset heights to accommodate 1-1/2" thick counter top. Heights to allow for 84" (50-1/2" H), 87" (53-1/2" H), 90" (56-1/2" H), 93" (59-1/2" H) and 96" (62-1/2" H) high ceilings. They are all the same price - regardless of height.
- Can be ordered to accommodate 34-1/2" H vanity cabinets with 1-1/2" thick counter top. Designate VKAG to do this at no additional charge.

50-1/2" High	VAG1550.12L	VAG1550.12R	\$1,781
	VAG1550.18L	VAG1550.18R	\$1,941
	VAG1550.21L	VAG1550.21R	\$1,838
	VAG1850.12L	VAG1850.12R	\$1,866
	VAG1850.18L	VAG1850.18R	\$1,921
	VAG1850.21L	VAG1850.21R	\$1,921

**Vanity Tambour Cabinet VTC**

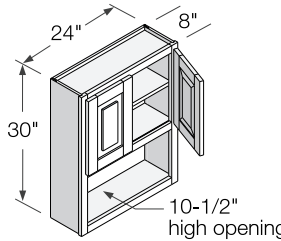


VTC1850.18R shown

- Designed to set on counter. Finished ends included with cabinet. Order acknowledgment will show as broken down charge but when added to case cost will be equal to cost listed in the book.
- Preset heights to accommodate 1-1/2" thick counter top. Heights to allow for 84" (50-1/2" H), 87" (53-1/2" H), 90" (56-1/2" H), 93" (59-1/2" H) and 96" (62-1/2" H) high ceilings. They are all the same price - regardless of height.
- Can be ordered to accommodate 34-1/2" H vanity cabinets with 1-1/2" thick counter top. Designate VKTC to do this at no additional charge.

50-1/2" High	VTC1550.12L	VTC1550.12R	\$1,806
	VTC1550.18L	VTC1550.18R	\$1,806
	VTC1550.21L	VTC1550.21R	\$1,942
	VTC1850.12L	VTC1850.12R	\$1,886
	VTC1850.18L	VTC1850.18R	\$1,886
	VTC1850.21L	VTC1850.21R	\$1,942

**Vanity Wall Boutique VWB**

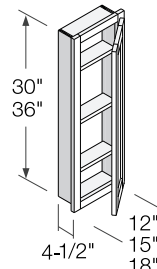


VWB2430 shown

- Towel Bar Shelf (TBS) is available to field mount underneath.
- Cabinet is standard with finished interior, finished ends and a finished bottom.

VWB	VWB2430	\$944
	VWB2436	\$973

**Medicine Cabinet MC**



MC1236R shown

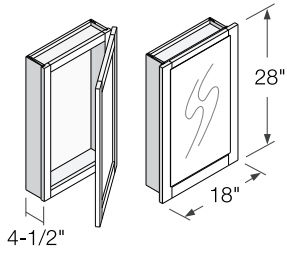
- Dimensions shown represent wall cutout dimensions if necessary.
- Unit made to recess into wall please specify if you want this surface mounted.
- Top, Bottom, Left and Right outsides finished.
- Wall cutout dimension: 11-5/8" W x 35-1/4" H for MC1236.
- Wall cutout dimension: 14-5/8" W x 35-1/4" H for MC1536.
- Wall cutout dimension: 17-5/8" W x 35-1/4" H for MC1836.
- Top and bottom rails are inverted leaving a 3/4" recess top and bottom

MC	MC1230L-W/MIRROR	MC1230R-W/MIRROR	\$527
	MC1230L-W/WD	MC1230R-W/WD	\$469
	MC1530L-W/MIRROR	MC1530R-W/MIRROR	\$540
	MC1530L-W/WD	MC1530R-W/WD	\$480
	MC1830L-W/MIRROR	MC1830R-W/MIRROR	\$540
	MC1830L-W/WD	MC1830R-W/WD	\$480
	MC1236L-W/MIRROR	MC1236R-W/MIRROR	\$527
	MC1236L-W/WD	MC1236R-W/WD	\$469
	MC1536L-W/MIRROR	MC1536R-W/MIRROR	\$540
	MC1536L-W/WD	MC1536R-W/WD	\$480
	MC1836L-W/MIRROR	MC1836R-W/MIRROR	\$540
	MC1836L-W/WD	MC1836R-W/WD	\$480

**Remember...**

When ordering a cabinet be sure to specify finished sides as needed. Wall/Base/Tall - \$52/\$82/\$181 per side.

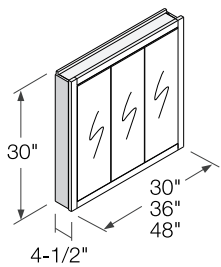
Medicine Cabinet 18 MC18



- Wall cutout dimension: 14-1/2" W x 26-1/4" H for MC1828.
- MC1828 will have the oversized door 18 x 28 and the case will be 14-1/4 x 26 OA.
- Top, Bottom, Left and Right outsides finished.
- Unit made to recess into wall please specify if you want this surface mounted

MC1828L-W/MIRROR	MC1828R-W/MIRROR	\$708
MC1828L-W/WD	MC1828R-W/WD	\$650

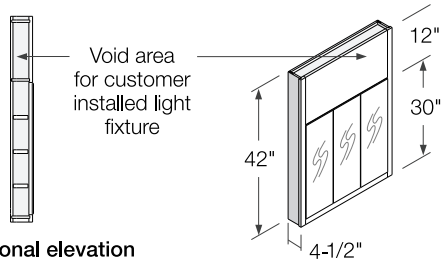
Tri-View Mirror TV



- All outside edges are square and finished.
- Wall cutout dimension: 28-3/4" W x 29-1/4" H for TV3030.
- Wall cutout dimension: 34-3/4" W x 29-1/4" H for TV3630.
- Wall cutout dimension: 46-3/4" W x 29-1/4" H for TV4830.
- Mirrors are wrapped and shipped inside cabinet.

TV	TV3030	\$854
	TV3630	\$983
	TV4830	\$1,259

TV Light Fixture Mod LFM



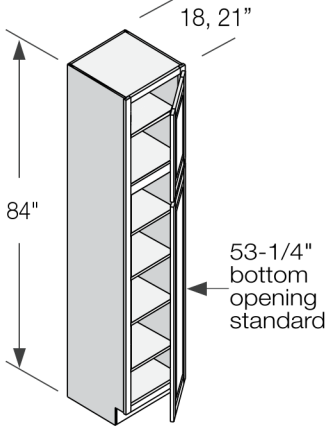
Side sectional elevation

*TVS3030-w/LFM (42"H O.A.) shown*

- All outside edges are square and finished.
- Overall cabinet height will be 42".

w/LFM	TV3030-w/LFM	\$1,173
	TV3630-w/LFM	\$1,303
	TV4830-w/LFM	\$1,578

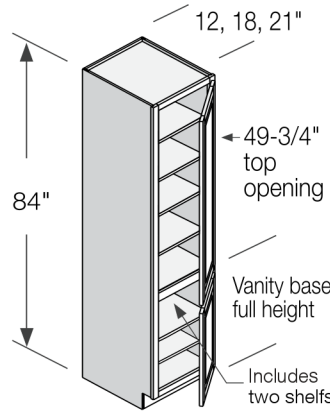
Vanity Utility VUC



VUC1884.18R shown

- Cabinet includes shelf kit (4 shelves) in lower opening. Pantry roll-out kit (4 or 5 rollouts) or broom partition with the standard shelf kit available. Please specify when ordering.

Vanity Linen Cabinet VLC



VLC1884.21R shown

- Cabinet includes shelf kit (4 shelves) in upper opening. Pantry rollout kit (4 or 5 rollouts) or broom partition with the standard shelf kit available. Please specify when ordering.
- Lower section to line up with Vanity Base Full Height 32" H.
- Can be ordered to accommodate 34-1/2" H vanity cabinets. Designate VKLC to have the lower opening line up with a Vanity Base Full Height 34-1/2" H.
- For a 12" deep VUC order a standard utility at 12" deep.

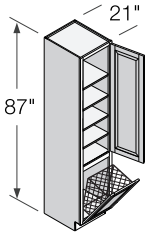
84" High	VUC1584.18L	VUC1584.18R	\$1,749
	VUC1584.21L	VUC1584.21R	\$1,749
	VUC1884.18L	VUC1884.18R	\$1,749
	VUC1884.21L	VUC1884.21R	\$1,749
	VUC2184.18L	VUC2184.18R	\$1,749
	VUC2184.21L	VUC2184.21R	\$1,749
87" High	VUC1587.18L	VUC1587.18R	\$2,156
	VUC1587.21L	VUC1587.21R	\$2,156
	VUC1887.18L	VUC1887.18R	\$2,156
	VUC1887.21L	VUC1887.21R	\$2,156
	VUC2187.18L	VUC2187.18R	\$2,156
	VUC2187.21L	VUC2187.21R	\$2,156
90" High	VUC1590.18L	VUC1590.18R	\$2,156
	VUC1590.21L	VUC1590.21R	\$2,156
	VUC1890.18L	VUC1890.18R	\$2,156
	VUC1890.21L	VUC1890.21R	\$2,156
	VUC2190.18L	VUC2190.18R	\$2,156
	VUC2190.21L	VUC2190.21R	\$2,156
93" High	VUC1593.18L	VUC1593.18R	\$2,223
	VUC1593.21L	VUC1593.21R	\$2,223
	VUC1893.18L	VUC1893.18R	\$2,223
	VUC1893.21L	VUC1893.21R	\$2,223
	VUC2193.18L	VUC2193.18R	\$2,223
	VUC2193.21L	VUC2193.21R	\$2,223
96" High	VUC1596.18L	VUC1596.18R	\$2,223
	VUC1596.21L	VUC1596.21R	\$2,223
	VUC1896.18L	VUC1896.18R	\$2,223
	VUC1896.21L	VUC1896.21R	\$2,223
	VUC2196.18L	VUC2196.18R	\$2,223
	VUC2196.21L	VUC2196.21R	\$2,223

84" High	VLC1884.12L	VLC1884.12R	\$1,550
	VLC1884.18L	VLC1884.18R	\$1,768
	VLC1884.21L	VLC1884.21R	\$1,768
87" High	VLC1887.12L	VLC1887.12R	\$1,923
	VLC1887.18L	VLC1887.18R	\$2,197
	VLC1887.21L	VLC1887.21R	\$2,197
90" High	VLC1890.12L	VLC1890.12R	\$1,923
	VLC1890.18L	VLC1890.18R	\$2,197
	VLC1890.21L	VLC1890.21R	\$2,197
93" High	VLC1893.12L	VLC1893.12R	\$1,879
	VLC1893.18L	VLC1893.18R	\$2,245
	VLC1893.21L	VLC1893.21R	\$2,245
96" High	VLC1896.12L	VLC1896.12R	\$1,944
	VLC1896.18L	VLC1896.18R	\$2,245
	VLC1896.21L	VLC1896.21R	\$2,245

**? Did You Know?**

Our rollouts include the "Blumotion" soft close feature on all cabinets 12" deep or greater.

Vanity Linen w/Hamper **VHTLC**



VHTLC1887.21R shown

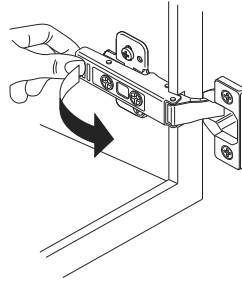
- Cabinet includes 2 Lid stay units to hold Hamper unit open.
- Cabinet includes shelf kit (4 shelves) in upper opening. Pantry rollout kit (4 or 5 rollouts) or broom partition with the standard shelf kit available. Please specify when ordering.
- Lower section to line up with Vanity Base Full Height 32" H.
- Can be ordered to accommodate 34-1/2" H vanity cabinets. Designate VKHTLC to have the lower opening line up with a Vanity Base Full Height 34-1/2" H.

VHTLC1884.21L	VHTLC1884.21R	\$2,565
VHTLC1887.21L	VHTLC1887.21R	\$2,912
VHTLC1890.21L	VHTLC1890.21R	\$2,912
VHTLC1893.21L	VHTLC1893.21R	\$3,022
VHTLC1896.21L	VHTLC1896.21R	\$3,022

Vanity Cabinets » Vanity Tall » 93" High continued...

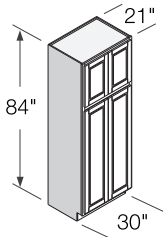
93" High	VUCB2493.18	VUCB2493.21	\$2,999
	VUCB2793.18	VUCB2793.21	\$3,595
	VUCB3093.18	VUCB3093.21	\$3,595
	VUCB3393.18	VUCB3393.21	\$3,813
	VUCB3693.18	VUCB3693.21	\$3,813
96" High	VUCB2496.18	VUCB2496.21	\$2,999
	VUCB2796.18	VUCB2796.21	\$3,595
	VUCB3096.18	VUCB3096.21	\$3,595
	VUCB3396.18	VUCB3396.21	\$3,813
	VUCB3696.18	VUCB3696.21	\$3,813

? Did You Know?



Our Full Inset Cup, BF Cup and Euro FO hinges can be unclipped from the mounting plate without tools.

Vanity Utility Butt **VUCB**

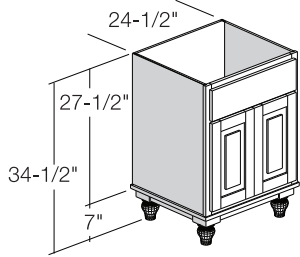


VUCB3084.21 shown

- Cabinet includes shelf kit (4 shelves) in lower opening. Pantry roll-out kit (4 or 5 rollouts) or broom partition with the standard shelf kit available. Please specify when ordering.

84" High	VUCB2484.18	VUCB2484.21	\$2,387
	VUCB2784.18	VUCB2784.21	\$2,956
	VUCB3084.18	VUCB3084.21	\$2,956
	VUCB3384.18	VUCB3384.21	\$3,106
	VUCB3684.18	VUCB3684.21	\$3,106
87" High	VUCB2487.18	VUCB2487.21	\$2,951
	VUCB2787.18	VUCB2787.21	\$3,575
	VUCB3087.18	VUCB3087.21	\$3,575
	VUCB3387.18	VUCB3387.21	\$3,799
	VUCB3687.18	VUCB3687.21	\$3,799
90" High	VUCB2490.18	VUCB2490.21	\$2,951
	VUCB2790.18	VUCB2790.21	\$3,575
	VUCB3090.18	VUCB3090.21	\$3,575
	VUCB3390.18	VUCB3390.21	\$3,799
	VUCB3690.18	VUCB3690.21	\$3,799

**Decorative Vanity Platform DVP**

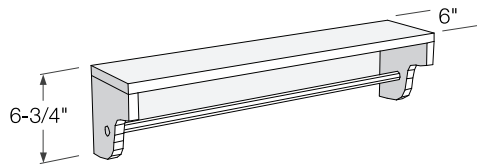


*VSBB24 w/ decorative platform and Tulip bunn feet shown*

- Decorative platform will ship loose.
- Choose any 4.5" H bunn foot (see page 14.40).
- Standard vanity (32" H) and Decorative vanity platform to be 34-1/2" H overall when combined.
- Decorative platform available as add-on to vanity up to 72" wide. Rear bunn feet sit forward 3/4" to allow for base trim to wall. Decorative platform will be 1/2" wider and 1/4" deeper than cabinet to allow for 1/4" overhang on each side.

DVP	DVP_18-36	\$1,329
	DVP_39-72	\$1,713

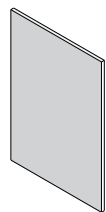
**Towel Bar Shelf TBS**



- Designed to be mounted below a Vanity Wall Boutique (VWB).

	TBS24	\$336
--	-------	-------

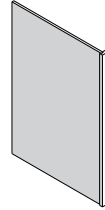
**Vanity End Panel 3/4" VEP**



- Standard with straight toe kick. Please specify for toe notch Add: \$59 list.

	VEP7532	\$260
	VEP7534	\$260

**Vanity End Panel w/ Stile VEP**

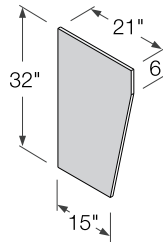


*VEP1532L shown*

- When adding fluting (i.e., w/FL please specify style A or B) add \$119 charge.
- Standard with straight toe kick. Please specify for toe notch Add: \$59 list.
- Can be ordered with frame on end mod or integrated designer panel.

VEP	VEP1532L	VEP1532R	\$251
	VEP0332L	VEP0332R	\$251

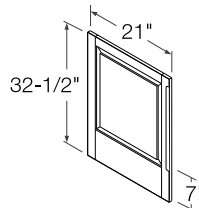
**Vanity End Panel Taper VEPT**



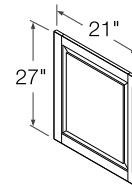
*VEPT2132 shown*

VEPT	VEPT7532	\$260
	VEPT7534	\$260

**Designer VEP Mortise & Tenon DVEP**



*DVEP2132-PER*

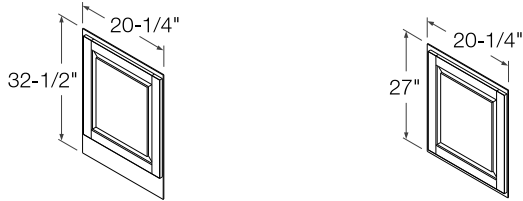


*DVEP2127-PER*

- 34-1/2" H Vanities use DBEP and cut to 21"d (see page 9.20).
- Mortise and Tenon 3/4" will have machine lip. Please specify side to have profile, i.e., DVEP2132-PEL will be for a right side of the cabinet, PEB will be for an island application and PEN will receive no profile.

No Toe	DVEP1827	\$336
	DVEP2127	\$393
	DVEP1830	\$375
	DVEP2130	\$437
7" Bottom Rail	DVEP1832	\$401
	DVEP2132	\$467
	DVEP1834	\$423
	DVEP2134	\$494

**Designer Vanity End Panel Skin DVEPS**



**DVEPS2132-SDR**                      **DVEPS2127-SDR**

- Please specify what side of the cabinet this will be placed on (i.e., (DVEPS2132-SDL) Shift Door Left is for Right Side of Cabinet, (SDR) Shift Door Right for Left Side of Cabinet and (CD) Center Door for Island applications).

No Toe	DVEPS1827	\$453
	DVEPS2127	\$510
	DVEPS1830	\$491
	DVEPS2130	\$553
STK	DVEPS1832	\$515
	DVEPS2132	\$582
	DVEPS1834	\$540
	DVEPS2134	\$611

**Designer Vanity End Panel Frame DVEPF**

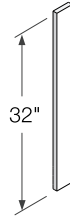


**DVEPF2132**                      **DVEPF2127**

- Door will mounted on a frame. We recommend frame on end modification for the best look.
- Subtract: 30% for Whirlpool height panels (Below 24")(in Base End Panel Section "DBEPF"). Please specify when ordering if a door should be made functioning for maintenance access.

No Toe	DVEPF1827	\$561
	DVEPF1830	\$605
	DVEPF2127	\$677
	DVEPF2130	\$677
6" Bottom Rail	DVEPF1832	\$637
	DVEPF2132	\$710
	DVEPF1834	\$667
	DVEPF2134	\$710

**Vanity Fillers VF**



**VF0332 shown**

- When adding fluting (i.e., w/FL please specify style A or B) add \$119 charge.

VF	VF0332	\$70
	VF0632	\$99

**Vanity Filler Overlay VFO**



**VFO03 shown**

- Intended and sized for full overlay orders.
- Vanity filler overlays will be a 3/4" slab drawer head with a matching edge profile.
- When adding fluting (i.e., w/FL please specify style A or B) add \$119 charge.

VFO	VFO03	\$91
	VFO06	\$119

**Wall Mirror WM**

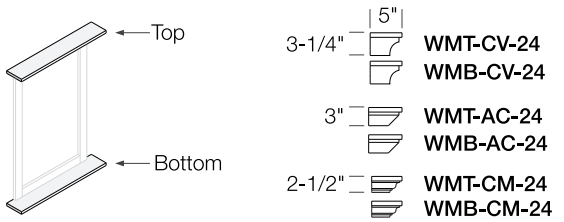


**Arch**                      **Bungalow**

- Framing is standard at 2-5/16". Door is mortise and tenon.
- Available framing beads include Regular, Square, Ogee and Elite.
- Door lip will closely match the door style on the order. Machine lip will be used on the top and bottom when used with Wall Mirror Toppers.
- Mirror is included and is installed.

Sq	WM2436	\$582
	WM3036	\$624
	WM3636	\$667
Arch	WM2436-Arch	\$612
	WM3036-Arch	\$654
	WM3636-Arch	\$697
Bun	WM2436-Bungalow	\$679
	WM3036-Bungalow	\$721
	WM3636-Bungalow	\$764

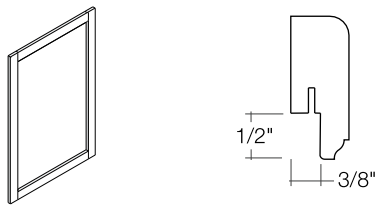
**Wall Mirror Topper WMT**



- Use with wall mirrors only.
- Mini Bracket (MB0203) may be installed at top.
- CM style adds 4-1/2 to the length.
- AC and CV (6097 molding) adds 5" to the length.

CM	WMT-CM-24	WMB-CM-24	\$395
	WMT-CM-30	WMB-CM-30	\$443
	WMT-CM-36	WMB-CM-36	\$492
AC	WMT-AC-24	WMB-AC-24	\$395
	WMT-AC-30	WMB-AC-30	\$443
	WMT-AC-36	WMB-AC-36	\$492
CV	WMT-CV-24	WMB-CV-24	\$395
	WMT-CV-30	WMB-CV-30	\$443
	WMT-CV-36	WMB-CV-36	\$492

**Mirror Frames MF**



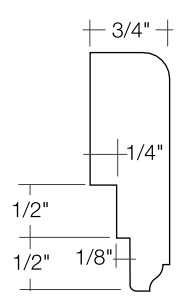
- When ordering in a 1 piece MDF/RTF door styles; like but not limited to, Modern Elegance, Lenox, Islander, and Harmony price as a loose door.
- Frame will be routed for mirror, however mirror is not supplied.
- Specify exact size, available up to 39" high.
- Remember to add for door and hinge upcharge.
- Frame will exactly match the door style of the job.

MF12-30	\$225
MF33-42	\$297
MF45-60	\$369

**? Did You Know?**

Your acknowledgement is posted on the extranet in PDF format. Go to <http://extranet.candlelightcab.net> and click on the orders tab.

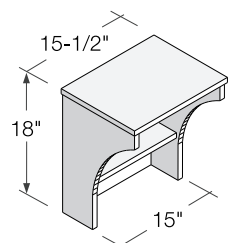
**Mirror Mold MM**



- Mirror molding will match the framing on the job.
- Use price group A for discounted door styles.

MM-A-08	\$189
MM-B-08	\$227
MM-C-08	\$265
MM-D-08	\$302
MM-E-08	\$338
MM-F-08	\$377

**Under Cabinet Shelf UCCS**



- Designed to sit on the counter top and below a 12" deep wall cabinet.
- Both ends are finished.

*UCCS15 shown*

UCCS15	\$380
UCCS18	\$401
UCCS21	\$440
UCCS24	\$463

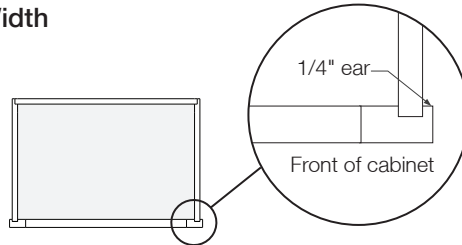
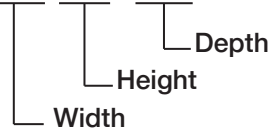
**? Did You Know?**

No tools are needed to adjust the height or side to side adjustment of drawers. Press down on the adjustment latch and slide toward the back of the drawer while pressing down. This provides upwards adjustment only. Side to Side adjustments can be made by the rotating the roller on both sides simultaneously in the direction needed. This information is also in the care manual provided with each kitchen.

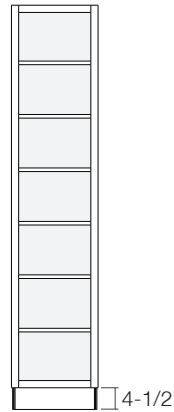




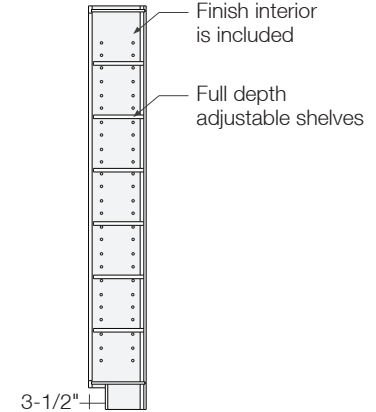
**FOSXXYY.ZZ**



Top view of FOS1884.12

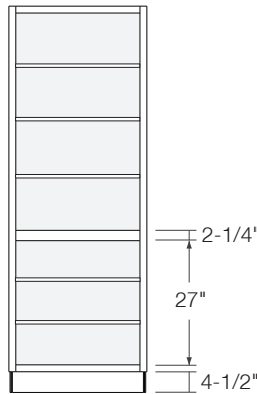
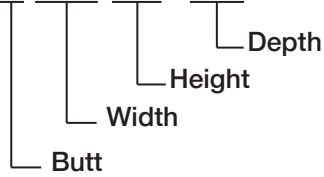


Front view of FOS1884.12

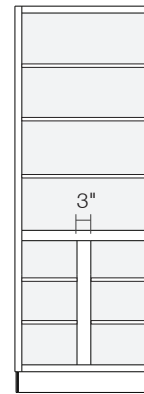


Side sectional elevation of FOS1884.12

**FBBXXYY.ZZ**



Front view of FBB3084.12

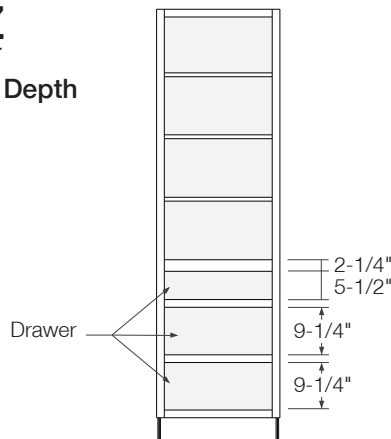
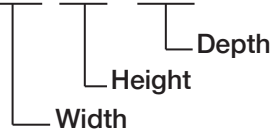


Front view of FB3084.12



Side sectional elevation of FB3084.12

**FDBXXYY.ZZ**



Front view of FDB2484.18



Side sectional elevation of FDB2484.18

• Note: Toe area is unfinished. Order MTK (matching toe kick)

Designer DEP Mortise & Tenon	DDEP	12.2
Designer Desk End Panel Frame	DDEPF	12.3
Designer Desk End Panel Skin	DDEPS	12.3
Desk 2 Deep Drawer	D2DD	12.1
Desk Door/Drawer	DB	12.1
Desk Double File Drawer	DDF	12.2
Desk Drawer	DD	12.1
Desk End Panel	DEP	12.2
Desk File Drawer 21"D	DF	12.1
Desk Full Height	DFH	12.1
Furniture Base & Wall Unit	FBW	12.10
Furniture Base 12" Deep	FB	12.9
Furniture Base 18" Deep	FB	12.9
Furniture Base 24" Deep	FB	12.10
Furniture Corner Hutch	FCH	12.12
Furniture Drawer Base 18" Deep	FDB	12.11
Furniture Drawer Base 24" Deep	FDB	12.11
Furniture Hutch Top	FHT	12.5
Furniture Open Shelves 12" Deep	FOS	12.5
Furniture Open Shelves 12" Deep	FOS	12.8
Furniture Open Shelves 18" Deep	FOS	12.6
Furniture Open Shelves 18" Deep	FOS	12.8
Furniture Shelves	FS	12.6
Furniture Tambour	FT	12.5
Hutch Ends	HE	12.7
Keyboard Drawer	KBD	12.2
Planning Drawer	PD	12.2
Wood Top to 25" Deep	WCT	12.4

Desk Door/Drawer		DB	
		<ul style="list-style-type: none"> <li>Includes 1 full depth shelf.</li> </ul>	
DB	DB12L	DB12R	\$777
	DB15L	DB15R	\$809
	DB18L	DB18R	\$848
	DB21L	DB21R	\$887
	DB24L	DB24R	\$1,031
		DBB24	\$1,129
		DBB27	\$1,193
	DB30	DBB30	\$1,259
	DB33	DBB33	\$1,332
	DB36	DBB36	\$1,369

Desk Drawer		DD
		<ul style="list-style-type: none"> <li>Top two drawer openings are 5-1/2"H with 4-1/2" H drawer boxes. Bottom opening is 7" H with a 5-1/2" H drawer box.</li> <li>On Euro and Full Overlay top and middle drawer fronts will not be the exact same height.</li> </ul>
DD	DD12	\$1,215
	DD15	\$1,250
	DD18	\$1,301
	DD21	\$1,365
	DD24	\$1,418
	DD27	\$1,474
	DD30	\$1,529
	DD33	\$1,577
	DD36	\$1,636

Desk Full Height		DFH	
		<ul style="list-style-type: none"> <li>Includes 2 full depth shelves.</li> </ul>	
DFH	DFH12L	DFH12R	\$550
	DFH15L	DFH15R	\$579
	DFH18L	DFH18R	\$616
	DFH21L	DFH21R	\$658
	DFH24L	DFH24R	\$690
		DFHB24	\$896
		DFHB27	\$956
	DFH30	DFHB30	\$1,023
	DFH33	DFHB33	\$1,094
	DFH36	DFHB36	\$1,129

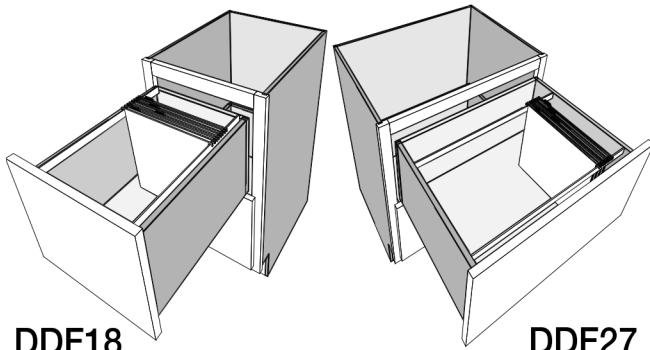
Desk 2 Deep Drawer		D2DD
		<ul style="list-style-type: none"> <li>Will receive (2) 7" deep drawer boxes.</li> </ul>
D2DD	D2DD18	\$1,167
	D2DD21	\$1,270
	D2DD24	\$1,373
	D2DD27	\$1,603
	D2DD30	\$1,705
	D2DD33	\$1,791
	D2DD36	\$1,838

Desk File Drawer 21"D		DF
		<ul style="list-style-type: none"> <li>Includes 10-1/2" H solid Maple dovetailed full-extension file drawer with file hanger frame.</li> <li>Lower drawer is a door as standard.</li> <li>18" wide cabinet has Letter file hangers.</li> <li>21" wide cabinet has Legal file hangers.</li> </ul>
DF	DF18	\$1,329
	DF21	\$1,368

**? Did You Know?**

35% of orders placed last year were Duralux construction.

**Desk Double File Drawer DDF**



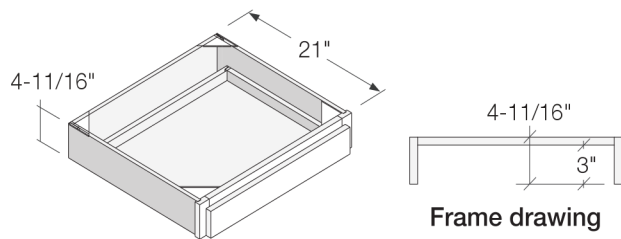
**DDF18**

**DDF27**

- Two deep drawers with side-mount full-extension tracks. These tracks are not soft close.
- 24" to 36" wide DDF's are designed to be used as lateral files and can be adjusted to accept letter or legal file folders.
- If cabinet is reduced to 18" deep, it cannot hold legal-size folders when used as a lateral file.
- Drawer does not have a bottom.
- Hanging file folders not included.
- No rail in frame between drawers.
- Overall Height is 28 1/2" and the overall depth is 21"

DDF	DDF18	\$1,586
	DDF21	\$1,625
	DDF24	\$1,662
	DDF27	\$1,702
	DDF30	\$1,742
	DDF33	\$1,782
	DDF36	\$1,823

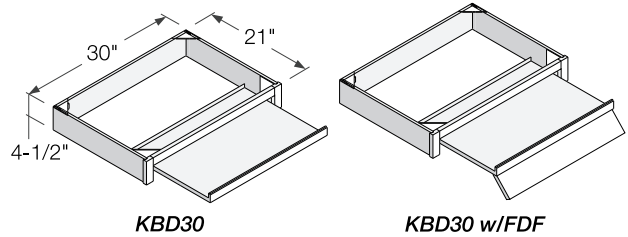
**Planning Drawer PD**



- Due to height, Mitered style front and 5-piece will come as slab drawer front.
- Please remove shipping support from bottom.

PD	PD30	\$559
	PD21	\$532
	PD24	\$532
	PD27	\$559
	PD33	\$588
	PDD36.02	\$740

**Keyboard Drawer KBD**



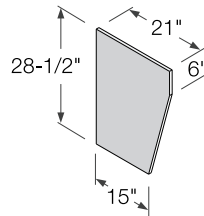
**KBD30**

**KBD30 w/FDF**

- Flip down drawer front (w/FDF) is attached to the shelf and pulls out with it. Due to the height, Mitered style front and 5-piece will come as a slab drawer front.
- Shelf is finished the same as the face frame.

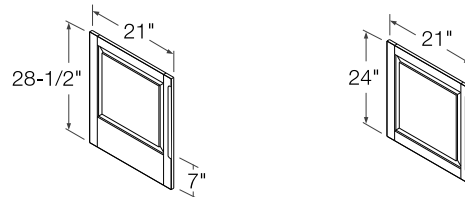
KBD	KBD24	\$548
	KBD24w/FDF	\$669
	KBD27	\$554
	KBD27w/FDF	\$676
	KBD30	\$563
	KBD30w/FDF	\$684
	KBD33	\$579
	KBD33w/FDF	\$699
	KBD36	\$579
KBD36w/FDF	\$699	

**Desk End Panel DEP**



DEP2129	\$260
---------	-------

**Designer DEP Mortise & Tenon DDEP**

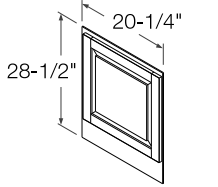


**DDEP2128-PER**

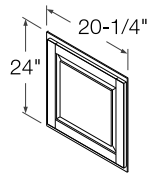
**DDEP2124-PER**

DDEP	DDEP2124 No Toe	\$350
	DDEP2128	\$407

**Designer Desk End Panel Skin DDEPS**



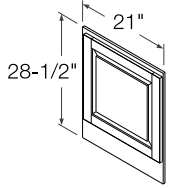
**DDEPS2128-SDR**



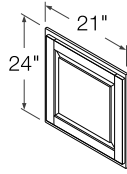
**DDEPS2124-SDR**

<b>DDEPS</b>	DDEPS2124 No Toe	\$350
	DDEPS2128	\$407

**Designer Desk End Panel Frame DDEPF**



**DDEPF2128**

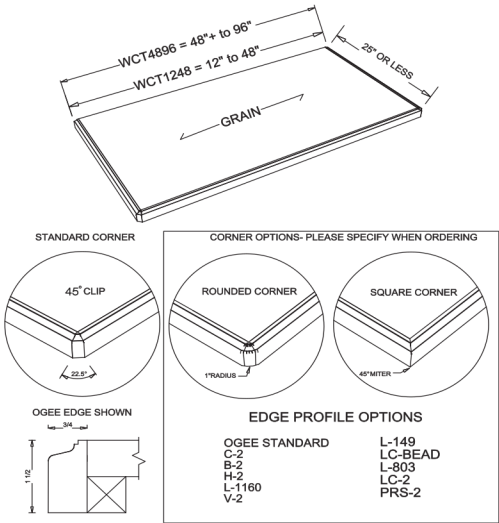


**DDEPF2124**

<b>DDEPF</b>	DDEPF2124 No Toe	\$574
	DDEPF2128	\$641

*Design Notes*

Maximum drawer depth is 27", Maximum width is 45".



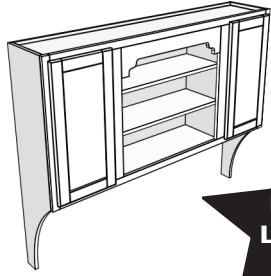
- Any corner between 2 finished ends will come standard with 22-1/2 degree corner.
- All wood tops 1-1/2" thick, standard w/ wood routed edge.
- Always send drawing on wood tops.
- Rounded corners are available at no additional charge. This must be specified on your order.
- Any edge profile can be chosen for the wood top at no additional charge. This must be specified on your order.
- To add a route to the bottom edge of the wood top is an additional 10%.
- Tops that need to be pieced together are no longer available.
- 10' Wood Tops are \$1989 List. Limited to Cherry, Red Oak, Maple and Paint Grade.
- A bump out will add 20%.

WCT	WCT12to48	\$468
	WCT48to96	\$815

**Warning!**

Cabinets over 96" with finished ends require Flush Finished Ends. Remember to add the premium.

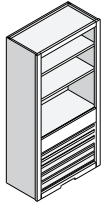
**Furniture Hutch Top FHT**



- Includes finished interior and finished ends.
- Ends are flush.
- Specify and add \$ for valance choice. See Valance, etc. section for available options.

FHT	FHT4848	\$2,862
	FHT5448	\$3,070
	FHT6048	\$3,527

**Furniture Tambour FT**



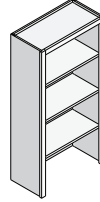
- Designed to set on counter, no bottom. Finished interior and ends included with cabinet. Order acknowledgment will show as broken down charge but when added to case cost will be equal to cost listed in the book.
- Specify and add \$ for valance choice. See Valance, etc. section for available options.

12" Deep	FT1848.12	\$1,613
	FT2448.12	\$1,774
	FT3048.12	\$1,803
	FT3648.12	\$1,960
	FT1854.12	\$1,675
	FT2454.12	\$1,840
	FT3054.12	\$1,852
	FT3654.12	\$2,004
18" Deep	FT1848.18	\$1,851
	FT2448.18	\$2,028
	FT3048.18	\$2,058
	FT3648.18	\$2,227
	FT1854.18	\$1,945
	FT2454.18	\$2,118
	FT3054.18	\$2,138
	FT3654.18	\$2,281

**? Did You Know?**

You can now enter orders on-line. Go to <http://extranet.candlelightcab.net> and click on the Easy Price tab.

**Furniture Open Shelves 12" Deep FOS**



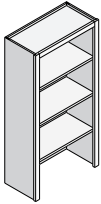
- Designed to set on counter, no bottom. Finished interior and ends included with cabinet. Order acknowledgment will show as broken down charge but when added to case cost will be equal to cost listed in the book.
- Specify and add \$ for valance choice. See Valance, etc. section for available options.

48" High	FOS1248.12	\$943
	FOS1548.12	\$994
	FOS1848.12	\$1,045
	FOS2148.12	\$1,045
	FOS2448.12	\$1,097
	FOS2748.12	\$1,146
	FOS3048.12	\$1,157
	FOS3348.12	\$1,207
51" High	FOS3648.12	\$1,281
	FOS1251.12	\$943
	FOS1551.12	\$994
	FOS1851.12	\$1,045
	FOS2151.12	\$1,045
	FOS2451.12	\$1,097
	FOS2751.12	\$1,146
	FOS3051.12	\$1,157
54" High	FOS3351.12	\$1,207
	FOS3651.12	\$1,281
	FOS1254.12	\$943
	FOS1554.12	\$994
	FOS1854.12	\$1,045
	FOS2154.12	\$1,045
	FOS2454.12	\$1,097
	FOS2754.12	\$1,146
57" High	FOS3054.12	\$1,157
	FOS3354.12	\$1,207
	FOS3654.12	\$1,281
	FOS1257.12	\$994
	FOS1557.12	\$1,045
	FOS1857.12	\$1,057
	FOS2157.12	\$1,107
	FOS2457.12	\$1,156
FOS2757.12	\$1,205	
57" High	FOS3057.12	\$1,219
	FOS3357.12	\$1,266
	FOS3657.12	\$1,343



60" High	FOS1260.12	\$1,045
	FOS1560.12	\$1,096
	FOS2160.12	\$1,107
	FOS2460.12	\$1,156
	FOS2760.12	\$1,205
	FOS3060.12	\$1,219
	FOS3360.12	\$1,266
	FOS3660.12	\$1,343

### Furniture Open Shelves 18" Deep FOS

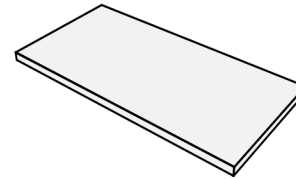


- Designed to set on counter, no bottom. Finished interior and ends included with cabinet. Order acknowledgment will show as broken down charge but when added to case cost will be equal to cost listed in the book.
- Specify and add \$ for valance choice. See Valance, etc. section for available options.

48" High	FOS1248.18	\$1,097
	FOS1548.18	\$1,193
	FOS1848.18	\$1,263
	FOS2148.18	\$1,263
	FOS2448.18	\$1,333
	FOS2748.18	\$1,404
	FOS3048.18	\$1,408
	FOS3348.18	\$1,480
	FOS3648.18	\$1,562
51" High	FOS1251.18	\$1,097
	FOS1551.18	\$1,193
	FOS1851.18	\$1,263
	FOS2151.18	\$1,263
	FOS2451.18	\$1,333
	FOS2751.18	\$1,404
	FOS3051.18	\$1,408
FOS3351.18	\$1,480	
FOS3651.18	\$1,562	
54" High	FOS1254.18	\$1,119
	FOS1554.18	\$1,193
	FOS1854.18	\$1,263
	FOS2154.18	\$1,263
	FOS2454.18	\$1,333
	FOS2754.18	\$1,404
	FOS3054.18	\$1,408
	FOS3354.18	\$1,480
	FOS3654.18	\$1,562



57" High	FOS1257.18	\$1,193
	FOS1557.18	\$1,263
	FOS1857.18	\$1,286
	FOS2157.18	\$1,324
	FOS2457.18	\$1,396
	FOS2757.18	\$1,467
	FOS3057.18	\$1,471
	FOS3357.18	\$1,542
FOS3657.18	\$1,625	
60" High	FOS1260.18	\$1,263
	FOS1560.18	\$1,333
	FOS1860.18	\$1,254
	FOS2160.18	\$1,324
	FOS2460.18	\$1,396
	FOS2760.18	\$1,467
	FOS3060.18	\$1,471
	FOS3360.18	\$1,542
	FOS3660.18	\$1,625

### Furniture Shelves FS



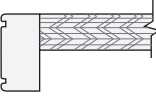
- Remember to account for the 1/4" recess on the cabinet side when ordering furniture shelves to span between 2 cabinets.
- Will be made of 3/4" plywood with matching wood veneer to your order.
- Both faces and 1 long edge will be finished as standard. Please specify for exact size and for ends to be banded and finished.

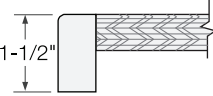
12" D	FS1218	\$148
	FS1224	\$148
	FS1230	\$175
	FS1236	\$204
	FS1248	\$265
18" D	FS1296	\$398
	FS1818	\$181
	FS1824	\$189
	FS1830	\$221
	FS1836	\$258
	FS1848	\$341
FS1896	\$445	

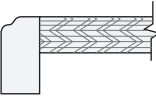
Hutch Ends		HE				
	<ul style="list-style-type: none"> <li>13" deep.</li> <li>Both sides finished.</li> <li>When using the combine cabinet modification, the finished end will be flush.</li> </ul> <div style="text-align: center; margin-top: 20px;">  </div>					
HE	<table border="0" style="width: 100%;"> <tr> <td style="padding: 2px 10px 2px 10px;">HE48</td> <td style="text-align: right; padding: 2px 10px 2px 10px;">\$321</td> </tr> <tr> <td style="padding: 2px 10px 2px 10px;">HE54</td> <td style="text-align: right; padding: 2px 10px 2px 10px;">\$360</td> </tr> </table>	HE48	\$321	HE54	\$360	
HE48	\$321					
HE54	\$360					

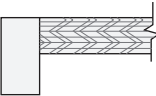
? *Did You Know?*

### Edge Options


LC inset -  
Top & Bottom

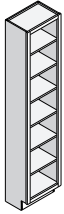

L-149


OG Edge


Sq.

You can add a lumber edge to shelves, see modification LE.

**Furniture Open Shelves 12" Deep FOS**



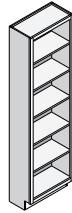
- Includes finished interior.
- Specify and add \$ for valance choice. See Valance, etc. section for available options.

84" High	FOS1284.12	\$1,459
	FOS1584.12	\$1,411
	FOS1884.12	\$1,459
	FOS2184.12	\$1,614
	FOS2484.12	\$1,662
	FOS2784.12	\$1,713
	FOS3084.12	\$1,751
	FOS3384.12	\$1,803
	FOS3684.12	\$1,921
87" High	FOS1287.12	\$1,815
	FOS1587.12	\$1,470
	FOS1887.12	\$1,521
	FOS2187.12	\$1,676
	FOS2487.12	\$1,725
	FOS2787.12	\$1,776
	FOS3087.12	\$1,814
	FOS3387.12	\$1,864
FOS3687.12	\$1,983	
90" High	FOS1290.12	\$1,815
	FOS1590.12	\$1,470
	FOS1890.12	\$1,521
	FOS2190.12	\$1,676
	FOS2490.12	\$1,725
	FOS2790.12	\$1,776
	FOS3090.12	\$1,814
	FOS3390.12	\$1,864
FOS3690.12	\$1,983	
93" High	FOS1293.12	\$1,877
	FOS1593.12	\$1,533
	FOS1893.12	\$1,584
	FOS2193.12	\$1,738
	FOS2493.12	\$1,787
	FOS2793.12	\$1,836
	FOS3093.12	\$1,875
	FOS3393.12	\$1,925
FOS3693.12	\$2,045	

Office/Furniture Cabinets » Furniture Tall » 96" High continued...

96" High	FOS1296.12	\$1,877
	FOS1596.12	\$1,533
	FOS1896.12	\$1,584
	FOS2196.12	\$1,738
	FOS2496.12	\$1,799
	FOS2796.12	\$1,836
	FOS3096.12	\$1,875
	FOS3396.12	\$1,925
FOS3696.12	\$2,045	

**Furniture Open Shelves 18" Deep FOS**

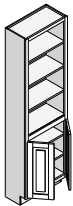


- Includes finished interior.
- Specify and add \$ for valance choice. See Valance, etc. section for available options.

84" High	FOS1284.18	\$1,775
	FOS1584.18	\$1,851
	FOS1884.18	\$1,901
	FOS2184.18	\$1,953
	FOS2484.18	\$2,022
	FOS2784.18	\$2,093
	FOS3084.18	\$2,225
	FOS3384.18	\$2,298
FOS3684.18	\$2,450	
87" High	FOS1287.18	\$1,816
	FOS1587.18	\$1,914
	FOS1887.18	\$1,963
	FOS2187.18	\$2,012
	FOS2487.18	\$2,084
	FOS2787.18	\$2,155
	FOS3087.18	\$2,287
	FOS3387.18	\$2,358
FOS3687.18	\$2,512	
90" High	FOS1290.18	\$1,816
	FOS1590.18	\$1,914
	FOS1890.18	\$1,963
	FOS2190.18	\$2,012
	FOS2490.18	\$2,084
	FOS2790.18	\$2,155
	FOS3090.18	\$2,287
	FOS3390.18	\$2,358
FOS3690.18	\$2,512	

93" High	FOS1293.18	\$1,974
	FOS1593.18	\$1,974
	FOS1893.18	\$2,025
	FOS2193.18	\$2,074
	FOS2493.18	\$2,148
	FOS2793.18	\$2,218
	FOS3093.18	\$2,347
	FOS3393.18	\$2,420
	FOS3693.18	\$2,573
96" High	FOS1296.18	\$1,974
	FOS1596.18	\$1,974
	FOS1896.18	\$2,025
	FOS2196.18	\$2,074
	FOS2496.18	\$2,148
	FOS2796.18	\$2,218
	FOS3096.18	\$2,347
	FOS3396.18	\$2,420
	FOS3696.18	\$2,573

**Furniture Base 12" Deep FB**

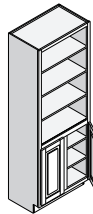


- Includes finished interior.
- Specify and add \$ for valance choice. See Valance, etc. section for available options.

84" High	FB1284.12L	FB1284.12R	\$1,635	
	FB1584.12L	FB1584.12R	\$1,744	
	FB1884.12L	FB1884.12R	\$1,855	
	FB2184.12L	FB2184.12R	\$1,963	
		FBB2484.12	\$2,088	
		FBB2784.12	\$2,196	
		FB3084.12	FBB3084.12	\$2,376
		FB3384.12	FBB3384.12	\$2,485
87" High	FB3684.12	FBB3684.12	\$2,595	
	FB1287.12L	FB1287.12R	\$1,999	
	FB1587.12L	FB1587.12R	\$2,108	
	FB1887.12L	FB1887.12R	\$2,218	
	FB2187.12L	FB2187.12R	\$2,327	
		FBB2487.12	\$2,435	
		FBB2787.12	\$2,544	
		FB3087.12	FBB3087.12	\$2,740
		FB3387.12	FBB3387.12	\$2,847
	FB3687.12	FBB3687.12	\$2,957	

90" High	FB1290.12L	FB1290.12R	\$1,999	
	FB1590.12L	FB1590.12R	\$2,115	
	FB1890.12L	FB1890.12R	\$2,218	
	FB2190.12L	FB2190.12R	\$2,327	
		FBB2490.12	\$2,435	
		FBB2790.12	\$2,544	
		FB3090.12	FBB3090.12	\$2,740
		FB3390.12	FBB3390.12	\$2,847
		FB3690.12	FBB3690.12	\$2,957
93" High	FB1293.12L	FB1293.12R	\$2,006	
	FB1593.12L	FB1593.12R	\$2,115	
	FB1893.12L	FB1893.12R	\$2,224	
	FB2193.12L	FB2193.12R	\$2,333	
		FBB2493.12	\$2,442	
		FBB2793.12	\$2,552	
		FB3093.12	FBB3093.12	\$2,746
		FB3393.12	FBB3393.12	\$2,858
		FB3693.12	FBB3693.12	\$2,964
96" High	FB1296.12L	FB1296.12R	\$2,006	
	FB1596.12L	FB1596.12R	\$2,115	
	FB1896.12L	FB1896.12R	\$2,224	
	FB2196.12L	FB2196.12R	\$2,333	
		FBB2496.12	\$2,442	
		FBB2796.12	\$2,552	
		FB3096.12	FBB3096.12	\$2,746
		FB3396.12	FBB3396.12	\$2,858
		FB3696.12	FBB3696.12	\$2,964

**Furniture Base 18" Deep FB**



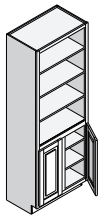
- Includes finished interior.
- Specify and add \$ for valance choice. See Valance, etc. section for available options.

84" High	FB1284.18L	FB1284.18R	\$2,097	
	FB1584.18L	FB1584.18R	\$2,208	
	FB1884.18L	FB1884.18R	\$2,317	
	FB2184.18L	FB2184.18R	\$2,426	
		FBB2484.18	\$2,610	
		FBB2784.18	\$2,717	
		FB3084.18	FBB3084.18	\$2,969
		FB3384.18	FBB3384.18	\$3,134
		FB3684.18	FBB3684.18	\$3,244

87" High	FB1287.18L	FB1287.18R	\$2,152
	FB1587.18L	FB1587.18R	\$2,618
	FB1887.18L	FB1887.18R	\$2,680
	FB2187.18L	FB2187.18R	\$2,788
		FBB2487.18	\$2,899
		FBB2787.18	\$3,007
	FB3087.18	FBB3087.18	\$2,786
	FB3387.18	FBB3387.18	\$2,897
	FBB3687.18	\$3,653	
90" High	FB1290.18L	FB1290.18R	\$2,046
	FB1590.18L	FB1590.18R	\$2,685
	FB1890.18L	FB1890.18R	\$2,680
	FB2190.18L	FB2190.18R	\$2,788
		FBB2490.18	\$2,899
		FBB2790.18	\$2,717
	FB3090.18	FBB3090.18	\$2,786
	FB3390.18	FBB3390.18	\$2,897
	FBB3690.18	\$3,653	
93" High	FB1293.18L	FB1293.18R	\$2,112
	FB1593.18L	FB1593.18R	\$2,222
	FB1893.18L	FB1893.18R	\$2,331
	FB2193.18L	FB2193.18R	\$2,439
	FB3093.18		\$2,855
	FB3393.18		\$2,962
	FB3693.18		\$3,720
96" High	FB1296.18L	FB1296.18R	\$2,112
	FB1596.18L	FB1596.18R	\$2,222
	FB1896.18L	FB1896.18R	\$2,331
	FB2196.18L	FB2196.18R	\$2,439
		FBB2496.18	\$2,549
		FBB2796.18	\$2,659
	FB3096.18	FBB3096.18	\$2,855
	FB3396.18	FBB3396.18	\$2,962
	FBB3696.18	\$3,720	

87" High	FB1287.24L	FB1287.24R	\$2,152
	FB1587.24L	FB1587.24R	\$2,618
	FB1887.24L	FB1887.24R	\$2,680
		FB2187.24R	\$2,788
		FBB2487.24	\$2,899
		FBB2787.24	\$3,007
	FB3087.24	FBB3087.24	\$2,786
	FB3387.24	FBB3387.24	\$2,897
	FBB3687.24	\$3,653	
90" High	FB1290.24L	FB1290.24R	\$2,046
	FB1590.24L	FB1590.24R	\$2,685
	FB1890.24L	FB1890.24R	\$2,680
	FB2190.24L	FB2190.24R	\$2,788
		FBB2490.24	\$2,899
		FBB2790.24	\$3,007
	FB3090.24	FBB3090.24	\$2,786
	FB3390.24	FBB3390.24	\$2,897
	FBB3690.24	\$3,653	
93" High	FB1293.24L	FB1293.24R	\$2,112
	FB1593.24L	FB1593.24R	\$2,222
	FB1893.24L	FB1893.24R	\$2,331
	FB2193.24L	FB2193.24R	\$2,439
	FB3093.24		\$2,855
	FB3393.24		\$2,962
	FB3693.24		\$3,720
96" High	FB1296.24L	FB1296.24R	\$2,112
	FB1596.24L	FB1596.24R	\$2,222
	FB1896.24L	FB1896.24R	\$2,331
	FB2196.24L	FB2196.24R	\$2,439
		FBB2496.24	\$2,549
		FBB2796.24	\$2,659
	FB3096.24	FBB3096.24	\$2,855
	FB3396.24	FBB3396.24	\$2,962
	FBB3696.24	\$3,720	

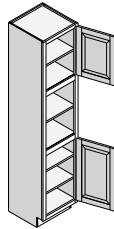
**Furniture Base 24" Deep** **FB**



- Includes finished interior.
- Specify and add \$ for valance choice. See Valance, etc. section for available options.

84" High	FB1284.24L	FB1284.24R	\$2,097
	FB1584.24L	FB1584.24R	\$2,208
	FB1884.24L	FB1884.24R	\$2,317
	FB2184.24L	FB2184.24R	\$2,426
		FBB2484.24	\$2,610
		FBB2784.24	\$2,717
	FB3084.24	FBB3084.24	\$2,969
	FB3384.24	FBB3384.24	\$3,134
	FB3684.24	FBB3684.24	\$3,244

**Furniture Base & Wall Unit** **FBW**



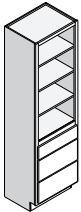
- Includes finished interior.
- Please specify FBWB for butted doors.

12" D	FBW1884.12L	FBW1884.12R	\$2,437
	FBW2484.12L	FBW2484.12R	\$2,813
	FBW3084.12		\$3,100
	FBW3684.12		\$3,221

Office/Furniture Cabinets » Furniture Tall » 18" D continued...

18" D	FBW1884.18L	FBW1884.18R	\$3,045
	FBW2484.18L	FBW2484.18R	\$3,516
	FBW3084.18		\$3,876
	FBW3684.18		\$4,016
24" D	FBW1884.24L	FBW1884.24R	\$3,045
	FBW2484.24L	FBW2484.24R	\$3,516
	FBW3084.24		\$3,875
	FBW3684.24		\$4,016

### Furniture Drawer Base 18" Deep FDB



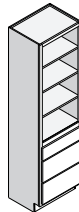
- Includes finished interior.
- Specify and add \$ for valance choice. See Valance, etc. section for available options.

84" High	FDB1284.18	\$2,488
	FDB1584.18	\$2,488
	FDB1884.18	\$2,835
	FDB2184.18	\$2,944
	FDB2484.18	\$3,080
	FDB2784.18	\$3,218
	FDB3084.18	\$3,387
	FDB3384.18	\$3,561
	FDB3684.18	\$3,735
87" High	FDB1287.18	\$2,551
	FDB1587.18	\$2,551
	FDB1887.18	\$2,899
	FDB2187.18	\$3,005
	FDB2487.18	\$3,111
	FDB2787.18	\$3,281
	FDB3087.18	\$3,449
	FDB3387.18	\$3,625
	FDB3687.18	\$3,797
90" High	FDB1290.18	\$2,551
	FDB1590.18	\$2,551
	FDB1890.18	\$2,899
	FDB2190.18	\$3,005
	FDB2490.18	\$3,111
	FDB2790.18	\$3,281
	FDB3090.18	\$3,449
	FDB3390.18	\$3,625
	FDB3690.18	\$3,797

Office/Furniture Cabinets » Furniture Tall » 93" High continued...

93" High	FDB1293.18	\$2,612
	FDB1593.18	\$2,612
	FDB1893.18	\$2,959
	FDB2193.18	\$3,060
	FDB2493.18	\$3,171
	FDB2793.18	\$3,341
	FDB3093.18	\$3,513
	FDB3393.18	\$3,686
96" High	FDB3693.18	\$3,858
	FDB1296.18	\$2,612
	FDB1596.18	\$2,612
	FDB1896.18	\$2,959
	FDB2196.18	\$3,060
	FDB2496.18	\$3,171
	FDB2796.18	\$3,341
	FDB3096.18	\$3,513
	FDB3396.18	\$3,686
FDB3696.18	\$3,858	

### Furniture Drawer Base 24" Deep FDB



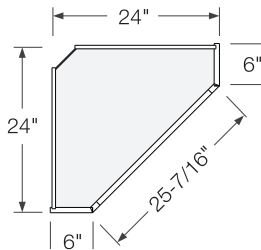
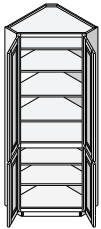
- Includes finished interior.
- Specify and add \$ for valance choice. See Valance, etc. section for available options.

84" High	FDB1284.24	\$2,704
	FDB1584.24	\$2,704
	FDB1884.24	\$3,087
	FDB2184.24	\$3,204
	FDB2484.24	\$3,320
	FDB2784.24	\$3,506
	FDB3084.24	\$3,692
	FDB3384.24	\$3,885
	FDB3684.24	\$4,076
87" High	FDB1287.24	\$2,770
	FDB1587.24	\$2,770
	FDB1887.24	\$3,151
	FDB2187.24	\$3,264
	FDB2487.24	\$3,381
	FDB2787.24	\$3,568
	FDB3087.24	\$3,755
	FDB3387.24	\$3,946
	FDB3687.24	\$4,137

90" High	FDB1290.24	\$2,770
	FDB1590.24	\$2,770
	FDB1890.24	\$3,151
	FDB2190.24	\$3,264
	FDB2490.24	\$3,381
	FDB2790.24	\$3,568
	FDB3090.24	\$3,755
	FDB3390.24	\$3,946
	FDB3690.24	\$4,137
	93" High	FDB1293.24
FDB1593.24		\$2,829
FDB1893.24		\$3,211
FDB2193.24		\$3,329
FDB2493.24		\$3,443
FDB2793.24		\$3,631
FDB3093.24		\$3,815
FDB3393.24		\$4,009
FDB3693.24		\$4,200
96" High		FDB1296.24
	FDB1596.24	\$2,829
	FDB1896.24	\$3,211
	FDB2196.24	\$3,340
	FDB2496.24	\$3,443
	FDB2796.24	\$3,631
	FDB3096.24	\$3,815
	FDB3396.24	\$4,009
	FDB3696.24	\$4,200

### Furniture Corner Hutch

FCH



- Includes butted doors.
- Includes finished interior.
- Top doors prepped for glass.
- Deduct 30% to omit FI and PFI.
- 6" sides are finished.
- Lower opening 27" H.

FCH2484	\$3,989
FCH2487	\$4,190
FCH2490	\$4,190
FCH2493	\$4,311
FCH2496	\$4,311





## Ventilation Options

Our hoods are designed around the ventilation units that we sell. All of our liners mount to the sides of the hoods. Other ventilation units may require extensive modification to properly fit. A quote will be required.

Please consult local building codes before final selection.

### Hoods with Liners (HMS, GH, Gratto, etc.)

Several hoods ship with liners. With these hoods there is a choice of HV212, HV410 and HV620.



HV212



HV410/HV620

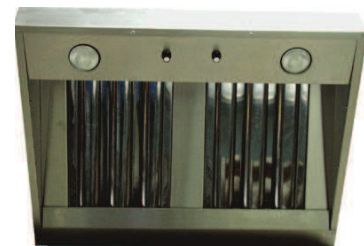
### Letter Series Hoods (G, T, M, etc.)



HVL



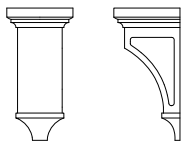
PML



PBL

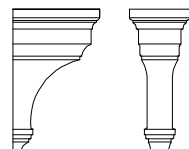
A-Raised Panel Arched Base	ARA	13.19	W-Solid Valance w/Lower Cabinets	W	13.24
A-Standard Hood	A	13.19	Wood Hood Batten Front	WHBF	13.4
BR Ventilator		13.30	Wood Hood Front	WHF	13.4
D-Decorative Panel Base	DDP	13.11			
D-Standard Hood	D	13.10			
E-Raised Panel Arched Base	ERA	13.12			
E-Standard Hood	E	13.12			
G-Raised Panel Arched Base	GRA	13.7			
G-Standard Base w/Beaded Top	GBT	13.7			
G-Standard Base w/Raised Top	GRT	13.7			
G-Standard Hood	G	13.7			
Gourmet Wood Hood	GH	13.5			
Grotto Arch Wood Hood	GROTTO ARCH	13.23			
Grotto Wood Hood Unit	GROTTO	13.23			
H-Arched Valance	HRA	13.26			
H-Standard Hood	H	13.26			
H2	H2	13.27			
H2-RA	H2RA	13.26			
Hoffco Ventilators	HV	13.28			
Hoffco Vents with Liners	HVL	13.28			
Hood Corbel Options		13.1			
Hood Front Straight	HFS	13.5			
Hood Front Straight Arch	HFSA	13.4			
Hood Mantle Shelf	HMS	13.3			
Hood Onlay Options		13.2			
Hood Straight	HS	13.3			
I-Standard Hood	I	13.9			
I-Standard Hood w/Beaded Top	IBT	13.9			
L-Standard Hood	L	13.20			
M-Double Panel Front	MDP	13.14			
M-Double Panel Keystone	MDK	13.15			
M-Four Panel Front w/Shelf	MS	13.13			
M-Four Panel w/o Shelf	M	13.13			
MSQ-Two Panel Front w/ Shelf	Q	13.14			
N-Raised Panel Arched Base		13.16			
N-Standard Hood		13.16			
O-Standard Hood	O	13.21			
P Standard Hood		13.22			
P with Batten		13.22			
Professional Baffle Liners	PBL	13.29			
Professional Mesh Liners	PML	13.29			
S-Raised Panel Arched Base	SRA	13.17			
S-Standard	S	13.17			
T-Raised Panel Arched Base	TRA	13.8			
T-Standard Base w/Beaded Top	TBT	13.8			
T-Standard Hood	T	13.8			
VC-Standard	VC	13.6			
VCRA- Arched Base	VCRA	13.6			
W-Arched Valance w/Lower Cabine	WRA	13.25			

**CBL-ART3**



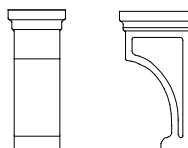
<input checked="" type="checkbox"/> M-Series	Pair	\$1,774
<input checked="" type="checkbox"/> N series	Page	14.40
<input checked="" type="checkbox"/> L-Series		
<input checked="" type="checkbox"/> O-Series		
<input checked="" type="checkbox"/> W-Series		
<input checked="" type="checkbox"/> H-Series		

**CBL-NBR1**



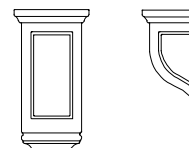
<input checked="" type="checkbox"/> M-Series	Pair	\$1,292
<input type="checkbox"/> N series	Page	14.40
<input type="checkbox"/> L-Series		
<input type="checkbox"/> O-Series		
<input type="checkbox"/> W-Series		
<input type="checkbox"/> H-Series		

**CBL-BR1**



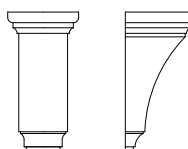
<input checked="" type="checkbox"/> M-Series	Pair	\$1,372
<input checked="" type="checkbox"/> N series	Page	14.40
<input checked="" type="checkbox"/> L-Series		
<input checked="" type="checkbox"/> O-Series		
<input checked="" type="checkbox"/> W-Series		
<input checked="" type="checkbox"/> H-Series		

**CBL-PN2**



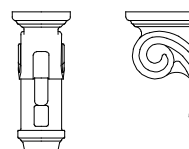
<input checked="" type="checkbox"/> M-Series	Pair	\$1,504
<input checked="" type="checkbox"/> N series	Page	14.42
<input checked="" type="checkbox"/> L-Series		
<input checked="" type="checkbox"/> O-Series		
<input checked="" type="checkbox"/> W-Series		
<input checked="" type="checkbox"/> H-Series		

**CBL-FED3**



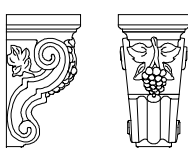
<input checked="" type="checkbox"/> M-Series	Pair	\$1,606
<input checked="" type="checkbox"/> N series	Page	14.40
<input checked="" type="checkbox"/> L-Series		
<input checked="" type="checkbox"/> O-Series		
<input checked="" type="checkbox"/> W-Series		
<input checked="" type="checkbox"/> H-Series		

**CBL-TB1**



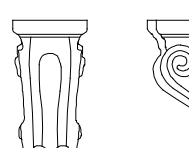
<input checked="" type="checkbox"/> M-Series	Pair	\$1,578
<input checked="" type="checkbox"/> N series	Page	14.42
<input checked="" type="checkbox"/> L-Series		
<input checked="" type="checkbox"/> O-Series		
<input checked="" type="checkbox"/> W-Series		
<input checked="" type="checkbox"/> H-Series		

**CBL-GR1**



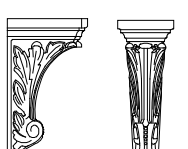
<input checked="" type="checkbox"/> M-Series	Pair	\$2,284
<input checked="" type="checkbox"/> N series	Page	14.41
<input checked="" type="checkbox"/> L-Series		
<input checked="" type="checkbox"/> O-Series		
<input checked="" type="checkbox"/> W-Series		
<input checked="" type="checkbox"/> H-Series		

**CBL-TR3**



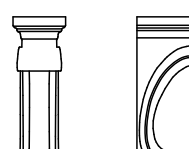
<input checked="" type="checkbox"/> M-Series	Pair	\$1,942
<input checked="" type="checkbox"/> N series	Page	14.42
<input checked="" type="checkbox"/> L-Series		
<input checked="" type="checkbox"/> O-Series		
<input checked="" type="checkbox"/> W-Series		
<input checked="" type="checkbox"/> H-Series		

**CBL-NA1**



<input checked="" type="checkbox"/> M-Series	Pair	\$1,866
<input checked="" type="checkbox"/> N series	Page	14.41
<input checked="" type="checkbox"/> L-Series		
<input checked="" type="checkbox"/> O-Series		
<input checked="" type="checkbox"/> W-Series		
<input checked="" type="checkbox"/> H-Series		

**CBL-PRS3**



<input checked="" type="checkbox"/> M-Series	Pair	\$1,646
<input checked="" type="checkbox"/> N series	Page	14.42
<input type="checkbox"/> L-Series		
<input checked="" type="checkbox"/> O-Series		
<input checked="" type="checkbox"/> W-Series		
<input checked="" type="checkbox"/> H-Series		

**Onlays available on the following hood series:**

G-Series, T-Series, I-Series, D-Series, E-Series, S-Series, A-Series, L-Series, O-Series, H-Series

**APL-AC20**



Price \$638

Page 14.39

**APL-G20**



Price \$611

Page 14.39

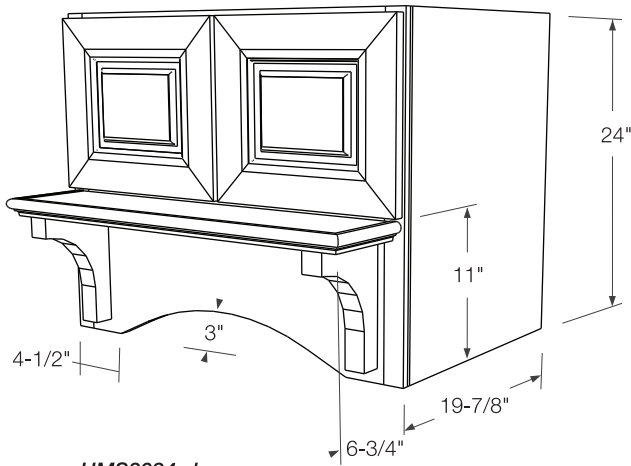
**APL-SA20**



Price \$611

Page 14.39

Hood Mantle Shelf HMS



HMS3024 shown

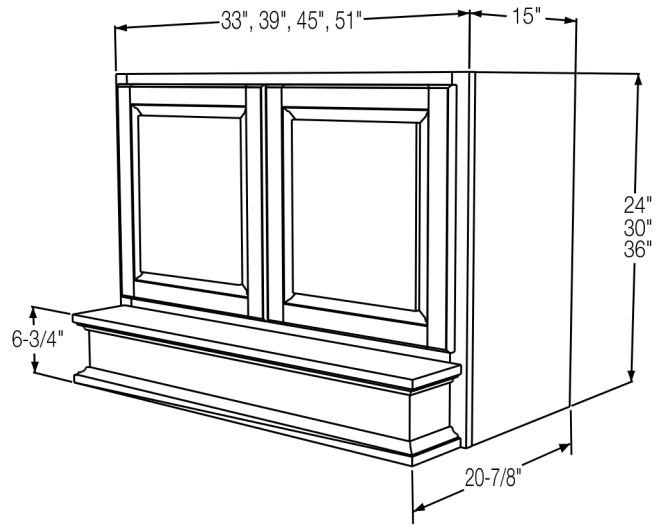
- Please refer to wood hood considerations (page 3.27) for more information.
- Doors only are available in rustic upon request.
- Price includes flush finished ends.
- Includes powder coated steel liner compatible with HV212, HV410, or HV620.
- Doors match the kitchen.
- 24" min. clearance over standard range, 30" min. over commercial range.

24" High	HMS3024	\$2,281
	HMS3624	\$2,647
	HMS4224	\$3,038
	HMS4824	\$3,447
30" High	HMS3030	\$2,949
	HMS3630	\$3,315
	HMS4230	\$3,741
	HMS4830	\$4,117
36" High	HMS3036	\$3,284
	HMS3636	\$3,715
	HMS4236	\$4,041
	HMS4836	\$4,451

**Warning!**

Any blower unit not purchased through Candlelight is at designer's discretion and is not something Candlelight verifies for proper fitting.

Hood Straight HS



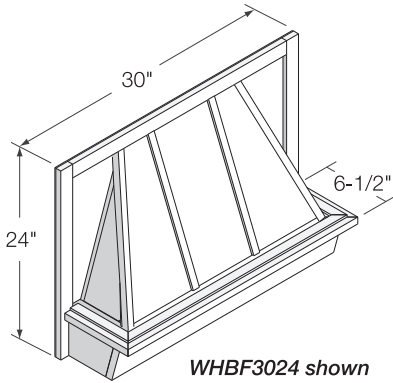
- Please refer to wood hood considerations (page 3.27) for more information.
- Doors only are available in rustic upon request.
- 24" min. clearance over standard range, 30" min. over commercial range.
- Doors match the kitchen.
- Includes powder coated steel liner compatible with HV212, HV410, or HV620.
- Price includes flush finished ends.

24" High	HS3324	\$1,837
	HS3924	\$2,216
	HS4524	\$2,596
	HS5124	\$2,976
30" High	HS3330	\$1,963
	HS3930	\$2,343
	HS4530	\$2,723
	HS5130	\$3,103
36" High	HS3336	\$2,089
	HS3936	\$2,478
	HS4536	\$2,850
	HS5136	\$3,230

**Did You Know?**

You can now enter orders on-line. Go to <http://extranet.candlelightcab.net> and click on the Easy Price tab.

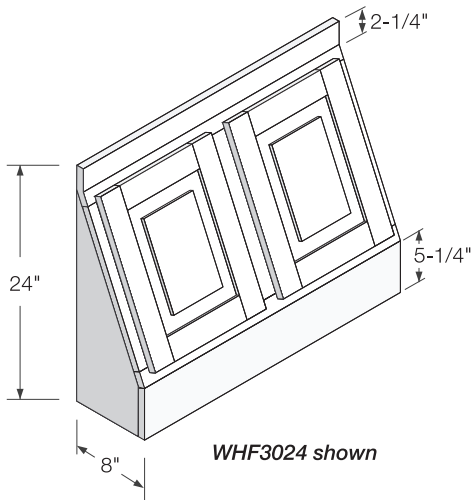
**Wood Hood Batten Front WHBF**



- Please refer to wood hood considerations (page 3.27) for more information.
- Not available in rustic.
- Includes powder coated steel liner compatible with HV212, HV410 or HV620.
- Hood intended to go between standard ends of a wall cabinet. Liner will NOT work with flush ends.
- Liner will not work with a near flush finished end to the left or right of the hood.
- Any change in size or design from what is shown will require a detailed drawing and sign off.

WHBF	WHBF3024	\$1,655
	WHBF3624	\$1,758

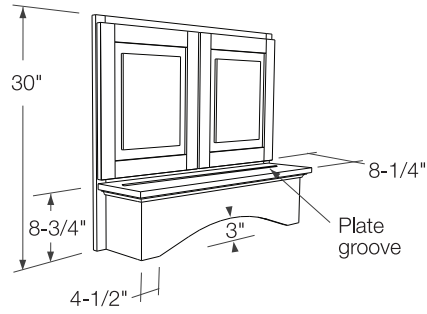
**Wood Hood Front WHF**



- Please refer to wood hood considerations (page 3.27) for more information.
- Not available in rustic.
- Includes powder coated steel liner compatible with HV212, HV410, or HV620.
- Doors match the kitchen.

WHF	WHF3024	\$1,723
	WHFB3024	\$1,723
	WHF3624	\$1,841
	WHFB3624	\$1,841

**Hood Front Straight Arch HFSA**



HFSA3630 shown

- Please refer to wood hood considerations (page 3.27) for more information.
- Doors only are available in rustic upon request.
- Includes powder coated steel liner compatible with HV212, HV410 or HV620.
- Doors match the kitchen.
- Liner will not work with a near flush finished end to the left or right of the hood.

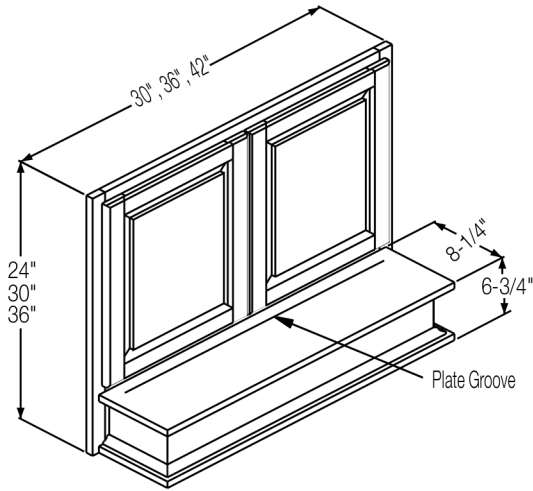
24" High	HFSA3024	\$1,851
	HFSA3624	\$1,968
	HFSA4224	\$2,087
30" High	HFSA3030	\$1,979
	HFSA3630	\$2,096
	HFSA4230	\$2,214
36" High	HFSA3036	\$2,109
	HFSA3636	\$2,225
	HFSA4236	\$2,342

**Warning!**

Any blower unit not purchased through Candlelight is at designer's discretion and is not something Candlelight verifies for proper fitting.

Hood Front Straight

HFS



- Please refer to wood hood considerations (page 3.27) for more information.
- Doors only are available in rustic upon request.
- Doors match the kitchen.
- Liner will not work with a near flush finished end to the left or right of the hood.
- Includes powder coated steel liner compatible with HV212, HV410 or HV620.

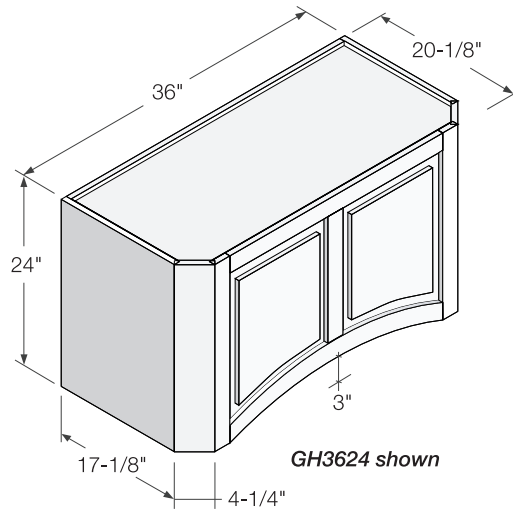
24" H	HFS3024	\$1,954
	HFS3624	\$2,071
	HFS4224	\$2,190
30" H	HFS3030	\$2,082
	HFS3630	\$2,199
	HFS4230	\$2,317
	HFS3036	\$2,213
36" H	HFS3636	\$2,329
	HFS4236	\$2,446

**? Did You Know?**

You can now enter orders on-line. Go to <http://extranet.candlelightcab.net> and click on the Easy Price tab.

Gourmet Wood Hood

GH

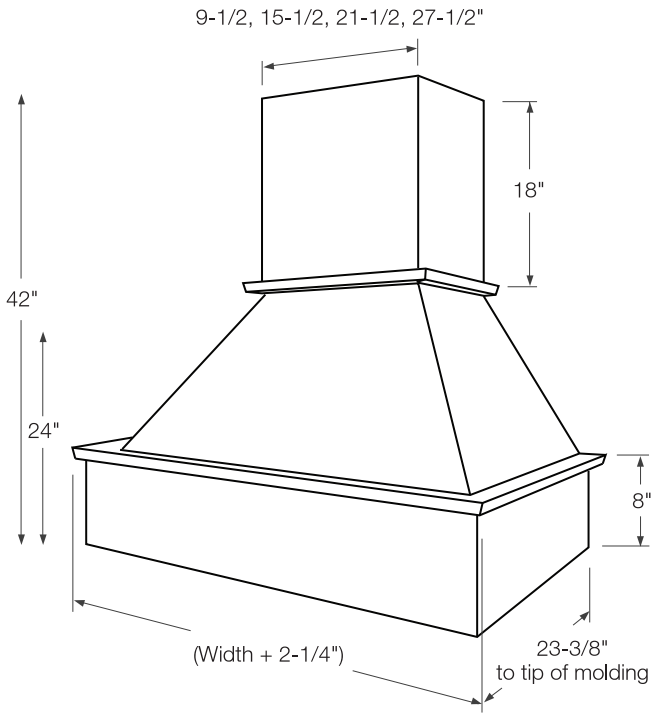


- Please refer to wood hood considerations (page 3.27) for more information.
- Not available in rustic.
- 3" clips can be fluted. Add for appropriate fluting charges.
- 24" min. clearance over standard range, 30" min. over commercial range.
- Includes powder coated steel liner compatible with HV212, HV410 or HV620.
- Price includes flush finished ends.

GH	GH3624	\$4,202
	GH4224	\$4,305
	GH4824	\$4,418
	GH3630	\$4,242
	GH4230	\$4,336
	GH4830	\$4,505

**! Warning!**

Any blower unit not purchased through Candlelight is at designer's discretion and is not something Candlelight verifies for proper fitting.



- Not available in rustic.
- The VC Series is a value chimney hood . These hoods are a simple chimney design available in standard and arched base.
- They come in Red Oak, Maple and Cherry. Available in Alder as a substitute for Red Birch.
- They are available in widths of 30", 36", 42" and 48".
- Please note that since these hoods are in stock, no modifications can be made.
- These hoods are designed for HVL, PML and BR vents (pages 13.29, 13.30 and 13.31). These hoods will not accomodate a baffle liner.
- Cost effective simple look and design.
- Please refer to page 3.31 for width limitations on the BR Ventilator
- Please refer to wood hood considerations ( page 3.27 ) for more information.

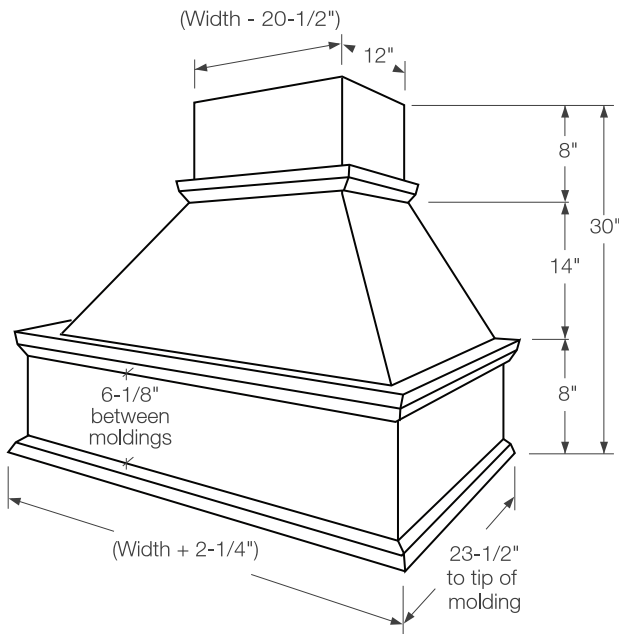
VC-Standard		VC
VC30		\$2,787
VC36		\$2,973
VC42		\$3,195
VC48		\$3,329

VCRA- Arched Base		VCRA
VCRA30		\$2,915
VCRA36		\$3,071
VCRA42		\$3,234
VCRA48		\$3,351

**? Did You Know?**

Your acknowledgement is posted on the extranet in PDF format. Go to <http://extranet.candlelightcab.net> and click on the orders tab.





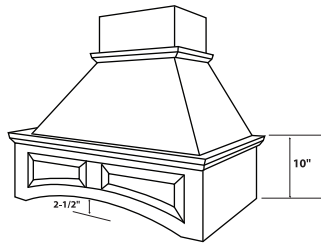
- Not available in rustic.
- G-Series hoods are available in standard widths to fit up to 60" cook tops. The standard hood height accommodates 8' ceiling. The chimney can be trimmed.
- The hood's design compliments many kitchen styles. It is intended to give you flexibility in meeting your customers' desires. Optional applied molding packages, beadboard top and arched bottom are available.
- Fixed panel standard - available with removable panel option, please specify.
- These hoods are designed for HVL, PML PBL and BR liners (pages 13.29, 13.30 and 13.31)
- Please refer to page 3.31 for width limitations on the BR Ventilator
- Please refer to wood hood considerations ( page 3.27 ) for more information.
- **Available Onlays (Pg 13.2):** APL-AC20, APL-G20, APL-SA20;

G-Standard Hood		G
G	G36	\$3,569
	G42	\$3,723
	G48	\$3,877
	G54	\$4,711
	G60	\$4,851

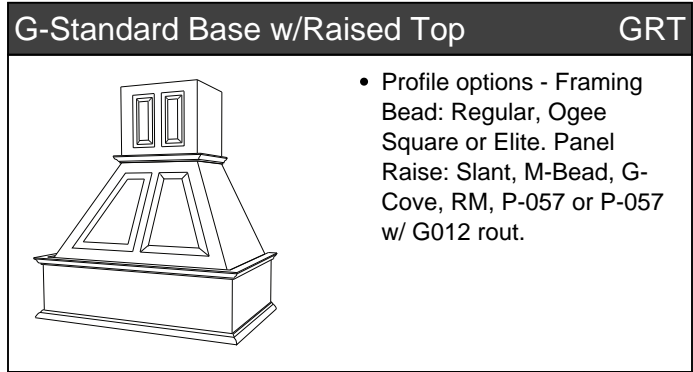


G-Standard Base w/Beaded Top		GBT
GBT	GBT60	\$5,333
	GBT36	\$4,058
	GBT42	\$4,206
	GBT48	\$4,361
	GBT54	\$5,195

G-Raised Panel Arched Base		GRA
GRA	GRA36	\$4,459
	GRA42	\$4,711
	GRA48	\$4,942
	GRA54	\$5,946
	GRA60	\$6,111



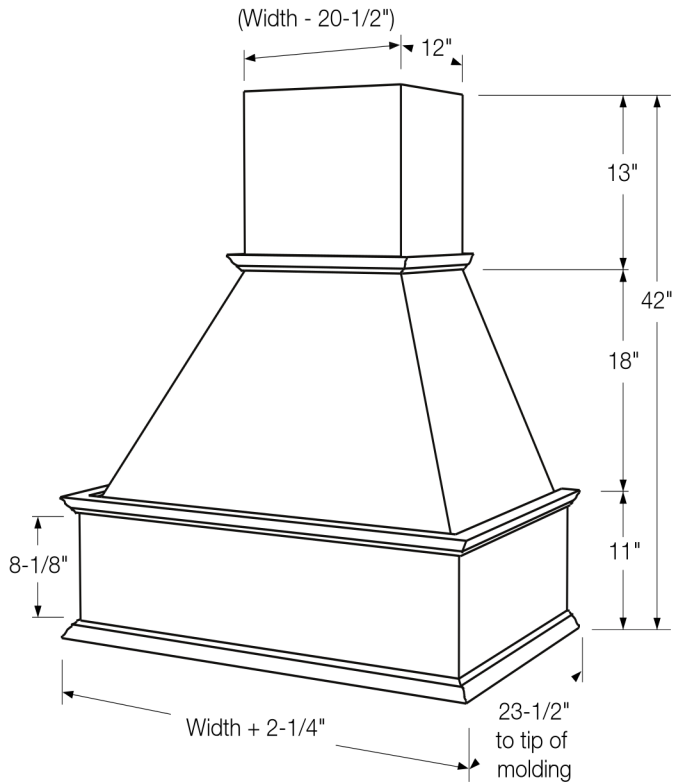
- Profile options - Framing Bead: Regular, Ogee Square or Elite. Panel Raise: Slant, M-Bead, G-Cove, RM, P-057 or P-057 w/ G012 rout.



G-Standard Base w/Raised Top		GRT
GRT	GRT36	\$5,497
	GRT42	\$5,695
	GRT48	\$5,967
	GRT54	\$6,874
	GRT60	\$7,144

**? Did You Know?**

Your acknowledgement is posted on the extranet in PDF format. Go to <http://extranet.candlelightcab.net> and click on the orders tab.



- Not available in rustic.
- T-Series hoods are available in standard widths to fit up to 60" cook tops. The standard hood height accommodates a 9' ceiling. The chimney can be trimmed. The hood's design compliments many kitchen styles.
- It is intended to give you flexibility in meeting your customers' desires. Optional beadboard top, arched bottom, corbels and applied molding packages available.
- Fixed panel standard - available with removable panel option, please specify.
- These hoods are designed for HVL, PML PBL and BR liners (pages 13.29, 13.30 and 13.31)
- Please refer to page 3.31 for width limitations on the BR Ventilator
- Please refer to wood hood considerations ( page 3.27 ) for more information.
- **Available Onlays (Pg 13.2):** APL-AC20, APL-G20, APL-SA20;

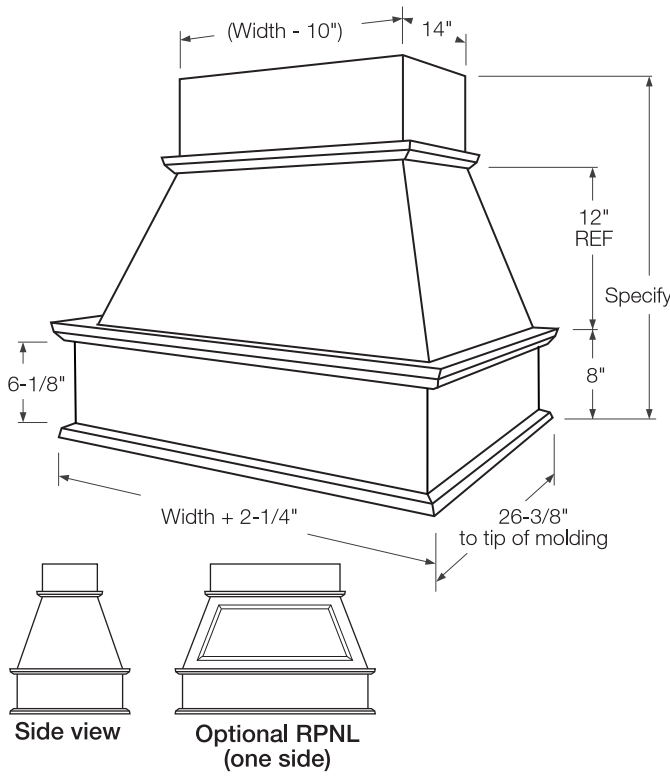
T-Standard Hood		T
• See Wood Hood Onlays section for optional add-on.		
T	T36	\$3,569
	T42	\$3,723
	T48	\$3,877
	T54	\$4,711
	T60	\$4,851

T-Standard Base w/Beaded Top		TBT
TBT	TBT36	\$4,058
	TBT42	\$4,486
	TBT48	\$4,361
	TBT54	\$5,195
	TBT60	\$5,333

T-Raised Panel Arched Base		TRA
<ul style="list-style-type: none"> <li>• Profile options - Framing Bead: Regular, Ogee Square or Elite. Panel Raise: Slant, M-Bead, G-Cove, RM, P-057 or P-057 w/ G012 rout.</li> </ul>		
TRA	TRA60	\$6,111
	TRA36	\$4,459
	TRA42	\$4,711
	TRA48	\$4,942
	TRA54	\$5,946

**Warning!**

Any blower unit not purchased through Candlelight is at designer's discretion and is not something Candlelight verifies for proper fitting.



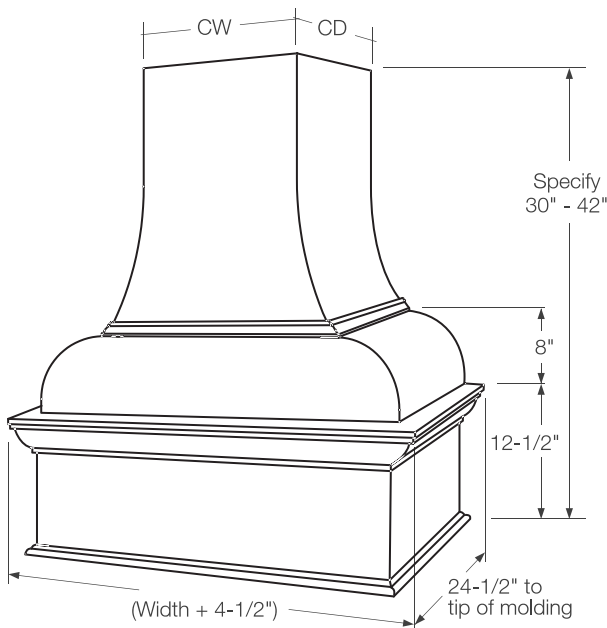
- Not available in rustic.
- The standard ventilators for the I-Series are the PML Island units. Island hoods should be 6" wider than the cooking surface if possible.
- I-Series hoods are available in standard widths to fit up to 60" cook tops. The hood design allows differing chimney heights to accommodate all standard ceiling heights. Optional applied molding packages and beadboard is available.
- I-Series hood is designed to provide ventilation above island range.
- Overall height must be provided when ordering I-Series.
- Prefinished hoods will be finished on all 4 sides.
- Includes installation hardware.
- Fixed panel standard - available with removable panel option, w/RPnl.
- Please refer to wood hood considerations ( page 3.27 ) for more information.
- BR Vent will not work in this application
- **Available Onlays (Pg 13.2):** APL-AC20, APL-G20, APL-SA20;

I-Standard Hood		I
I36		\$7,298
I36-w/RPnl		\$8,197
I42		\$7,507
I42-w/RPnl		\$8,407
I48		\$7,715
I48-w/RPnl		\$8,615
I54		\$9,314
I54-w/RPnl		\$10,215
I60		\$9,520
I60-w/RPnl		\$10,420

I-Standard Hood w/Beaded Top		IBT
		• Beading is 3" on center.
IBT	IBT36	\$8,343
	IBT36-w/RPnl	\$9,244
	IBT42	\$8,547
	IBT42-w/RPnl	\$9,447
	IBT48	\$8,758
	IBT48-w/RPnl	\$9,658
	IBT54	\$10,354
	IBT54-w/RPnl	\$11,255
	IBT60	\$10,562
	IBT60-w/RPnl	\$11,465

**Warning!**

Any blower unit not purchased through Candlelight is at designer's discretion and is not something Candlelight verifies for proper fitting.



- D-Series is designed to best fit 8 to 10 foot ceilings.
- The hood should not be trimmed in the field. Custom heights are available on a custom quote basis.
- D-Series hoods are available in widths to fit up to 60" cook tops. Custom widths are available; custom depths are not. This hood has a stain grade curved top. The hood comes in three standard heights: 30", 42", and 48".
- Removable panel not available.
- Available without veneer. Instead, faced with 3/8" Lauan to receive your customer supplied special plaster finish (not suitable for painting). Order with "Prep for Plaster" option, deduct \$1575 from hood price.

Chimney Dimensions				
Hood Width	30" High		42" High	
	CW	CD	CW	CD
36	14-1/2	12-5/8	14-1/8	12-1/2
42	20-1/2	12-5/8	20-1/8	12-1/2
48	26-1/2	12-5/8	26-1/8	12-1/2
54	32-1/2	12-5/8	32-1/8	12-1/2
60	38-1/2	12-5/8	38-1/8	12-1/2

- Not available in rustic.
- These hoods are designed for HVL, PML PBL and BR liners (pages 13.29, 13.30 and 13.31)
- Please refer to page 3.31 for width limitations on the BR Ventilator
- Please refer to wood hood considerations ( page 3.27 ) for more information.
- **Available Onlays (Pg 13.2):** APL-AC20, APL-G20, APL-SA20;

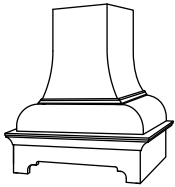
**? Did You Know?**

Your acknowledgement is posted on the extranet in PDF format. Go to <http://extranet.candlelightcab.net> and click on the orders tab.

D-Standard Hood		D
30" High	D3630	\$13,763
	D4230	\$14,056
	D4830	\$14,396
	D5430	\$15,115
	D6030	\$15,449
42" High	D3642	\$14,182
	D4242	\$14,473
	D4842	\$14,814
	D5442	\$15,531
	D6042	\$15,868

Wood Hoods & Ventilation » D-Series » 48" High continued...		
48" High	D3648	\$14,345
	D4248	\$14,637
	D4848	\$14,977
	D5448	\$15,311
	D6048	\$15,644

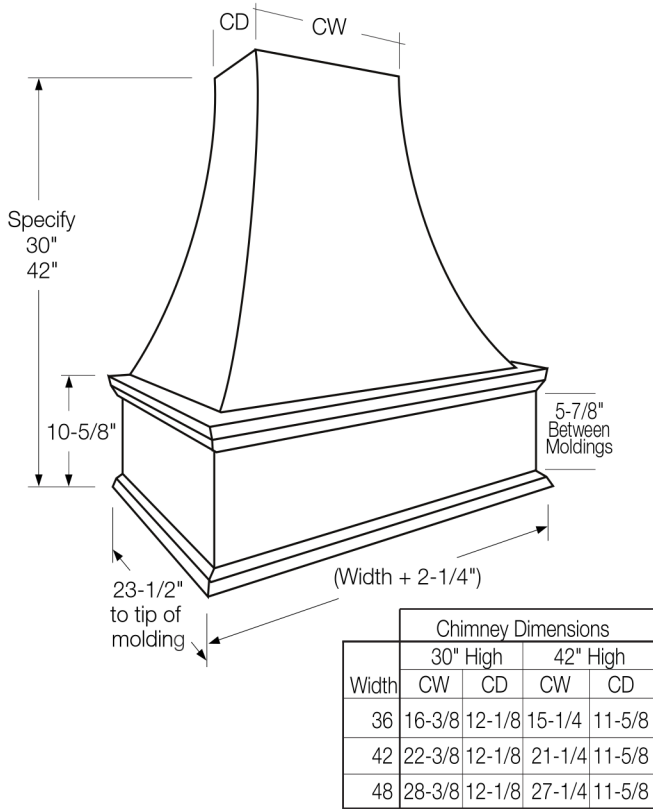
D-Decorative Panel Base DDP



30" High	DDP3630	\$14,401
	DDP4230	\$14,731
	DDP4830	\$15,095
	DDP5430	\$15,820
	DDP6030	\$16,150
42" High	DDP3642	\$14,818
	DDP4242	\$15,146
	DDP4842	\$15,512
	DDP5442	\$16,237
	DDP6042	\$16,567
48" High	DDP3648	\$14,987
	DDP4248	\$15,311
	DDP4848	\$15,681
	DDP5448	\$16,468
	DDP6048	\$16,802

**Warning!**

Any blower unit not purchased through Candlelight is at designer's discretion and is not something Candlelight verifies for proper fitting.



Chimney Dimensions				
Width	30" High		42" High	
	CW	CD	CW	CD
36	16-3/8	12-1/8	15-1/4	11-5/8
42	22-3/8	12-1/8	21-1/4	11-5/8
48	28-3/8	12-1/8	27-1/4	11-5/8

- Not available in rustic.
- Optional applied molding packages and arched bottom are available, or add your own accents. By adding corbels, applied moldings, crown moldings, tile and/or special finishes, you can make every hood unique.
- E-Series hoods are available in standard widths to fit up to a 48" cook top. This hood has a stain grade curved top. The hood comes in two heights, 30" and 42". Cannot be trimmed in the field. Sizes are limited by manufacturing constraints.
- E-Series can be sized to fit 8 to 9 foot ceilings.
- E-Series hoods are not trimmable. Specific heights available or a custom quote will be needed.
- Fixed panel standard - removable panel not an option.
- Available without veneer. Instead, faced with 3/8" Lauan to receive your special plaster finish (not suitable for painting). Order with "Prep for Plaster" option, deduct \$1704 from hood price.
- These hoods are designed for HVL, PML PBL and BR liners (pages 13.29, 13.30 and 13.31)
- Please refer to page 3.31 for width limitations on the BR Ventilator
- Please refer to wood hood considerations ( page 3.27 ) for more information.
- **Available Onlays (Pg 13.2):** APL-AC20, APL-G20, APL-SA20;

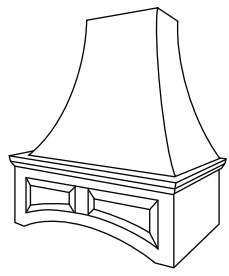
E-Standard Hood			E
30" High	E3630		\$13,763
	E4230		\$14,056
	E4830		\$14,396
42" High	E3642		\$14,182
	E4242		\$14,473
	E4842		\$14,814

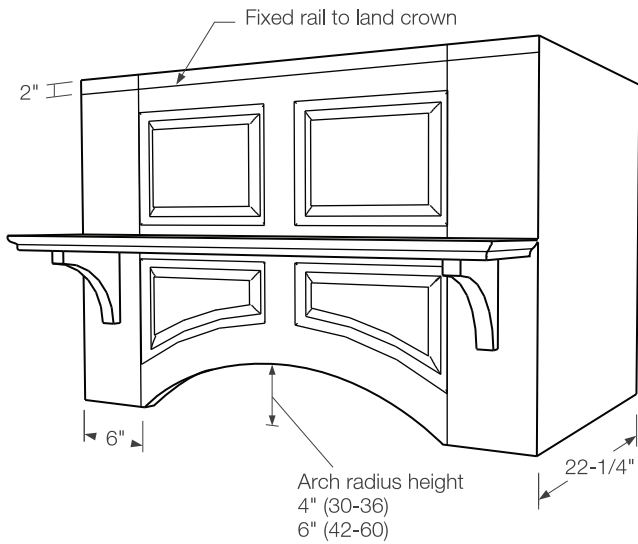
Wood Hoods & Ventilation » E-Series » 42" High continued...

42" High	ERA3642	\$14,719
	ERA4242	\$15,033
	ERA4842	\$15,394

**? Did You Know?**

You can now enter orders on-line. Go to <http://extranet.candlelightcab.net> and click on the Easy Price tab.

E-Raised Panel Arched Base			ERA
 <ul style="list-style-type: none"> <li>• Profile options - Framing Bead: Regular, Ogee Square or Elite. Panel Raise: Slant, M-Bead, G-Cove, RM, P-057 or P-057 w/ G012 rout.</li> </ul>			
30" High	ERA3630		\$14,304
	ERA4230		\$14,617
	ERA4830		\$14,977



- Not available in rustic.
- The M-Series is constructed from solid wood and veneer core plywood. There is no particleboard used in its construction.
- The M-Series is one of our most flexible hood. Pilasters can be added to the hood and countertop to create many unique looks.
- These hoods are designed for HVL, PML PBL and BR liners (pages 13.29, 13.30 and 13.31)
- Please refer to page 3.31 for width limitations on the BR Ventilator
- Please refer to wood hood considerations ( page 3.27 ) for more information.
- **Available Corbels (Pg 13.1):** CBL-ART3, CBL-BR1, CBL-FED3, CBL-GR1, CBL-NA1, CBL-NBR1, CBL-PN2, CBL-TB1, CBL-TR3, CBL-PRS3;

**M-Four Panel Front w/Shelf MS**

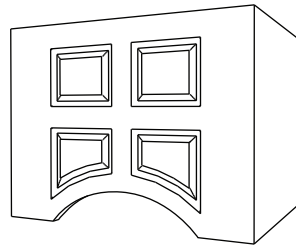
- Standard includes simple bracket.
- Will accommodate corbels up to 5-3/4" W, 10-1/2" H and 6" deep under display shelf.
- See Wood Hood Corbels section for available substitutes.
- Profile options - Framing Bead: Regular, Ogee Square or Elite. Panel Raise: Slant, M-Bead, G-Cove, RM, P-057 or P-057 w/ G012 rout.
- Removable panel standard - must request fixed panel.

24" High	MS3024	\$5,066
	MS3624	\$5,163
	MS4224	\$5,251
	MS4824	\$5,343
	MS5424	\$5,662
	MS6024	\$5,807
30" High	MS3030	\$5,066
	MS3630	\$5,163
	MS4230	\$5,251
	MS4830	\$5,343
	MS5430	\$5,662
	MS6030	\$5,807
36" High	MS3036	\$5,144
	MS3636	\$5,230
	MS4236	\$5,322
	MS4836	\$5,411
	MS5436	\$5,731
	MS6036	\$5,877

Wood Hoods & Ventilation » M-Series » 42" High continued...

42" High	MS3042	\$5,144
	MS3642	\$5,230
	MS4242	\$5,322
	MS4842	\$5,411
	MS5442	\$5,731
	MS6042	\$5,877

**M-Four Panel w/o Shelf M**



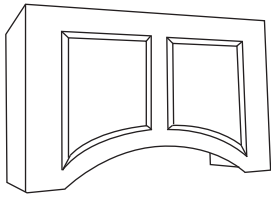
- Profile options - Framing Bead: Regular, Ogee Square or Elite. Panel Raise: Slant, M-Bead, G-Cove, RM, P-057 or P-057 w/ G012 rout.
- Removeable panel is not available.

24" High	M3024	\$4,017
	M3624	\$4,111
	M4224	\$4,202
	M4824	\$4,293
	M5424	\$4,614
	M6024	\$4,757
30" High	M3030	\$4,017
	M3630	\$4,111
	M4230	\$4,202
	M4830	\$4,293
	M5430	\$4,614
	M6030	\$4,757

36" High	M3036	\$4,086
	M3636	\$4,181
	M4236	\$4,270
	M4836	\$4,361
	M5436	\$4,679
	M6036	\$4,824
42" High	M3042	\$4,086
	M3642	\$4,181
	M4242	\$4,270
	M4842	\$4,361
	M5442	\$4,679
	M6042	\$4,824

**M-Double Panel Front**

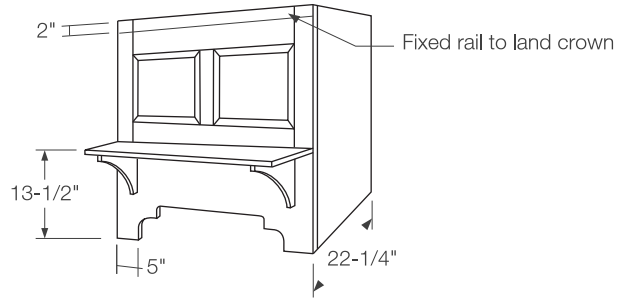
**MDP**



- Profile options - Framing Bead: Regular, Ogee Square or Elite. Panel Raise: Slant, M-Bead, G-Cove, RM, P-057 or P-057 w/ G012 rout.
- Removeable panel is not available.

24" High	MDP3024	\$4,017
	MDP3624	\$4,111
	MDP4224	\$4,202
	MDP4824	\$4,293
	MDP5424	\$4,614
	MDP6024	\$4,757
30" High	MDP3030	\$4,017
	MDP3630	\$4,111
	MDP4230	\$4,202
	MDP4830	\$4,293
	MDP5430	\$4,614
	MDP6030	\$4,757
36" High	MDP3036	\$4,086
	MDP3636	\$4,181
	MDP4236	\$4,270
	MDP4836	\$4,361
	MDP5436	\$4,679
	MDP6036	\$4,824
42" High	MDP3042	\$4,086
	MDP3642	\$4,181
	MDP4242	\$4,270
	MDP4842	\$4,361
	MDP5442	\$4,679
	MDP6042	\$4,824

**MSQ-Two Panel Front w/ Shelf**

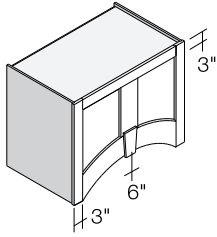


- Special feature: The panel above the shelf on the MSQ-Series removes for easier installation. The case will be the stated dimension and the front panel will overhang the sides 1/16" on the left and right.
- The MSQ-Series is constructed from solid wood and veneer core plywood. It is available in standard sizes to fit up to 60" cook tops. Custom widths and heights are available on a custom quote basis; custom depths are not.
- Valance/mantle style hood is designed to be mounted between left and right cabinets.
- Profile options - Framing Bead: Regular, Ogee Square or Elite. Panel Raise: Slant, M-Bead, G-Cove, RM, P-057 or P-057 w/ G012 rout.
- Standard includes simple bracket.
- Removable panel standard - must request fixed panel.

24" High	MSQ3024	\$4,633
	MSQ3624	\$4,747
	MSQ4224	\$4,963
	MSQ4824	\$5,070
	MSQ5424	\$5,280
	MSQ6024	\$5,488
30" High	MSQ3030	\$4,633
	MSQ3630	\$4,747
	MSQ4230	\$4,963
	MSQ4830	\$5,070
	MSQ5430	\$5,280
	MSQ6030	\$5,488
36" High	MSQ3036	\$4,691
	MSQ3636	\$4,798
	MSQ4236	\$5,013
	MSQ4836	\$5,128
	MSQ5436	\$5,334
	MSQ6036	\$5,561
42" High	MSQ3042	\$4,691
	MSQ3642	\$4,798
	MSQ4242	\$5,013
	MSQ4842	\$5,128
	MSQ5442	\$5,334
	MSQ6042	\$5,561



M-Double Panel Keystone MDK

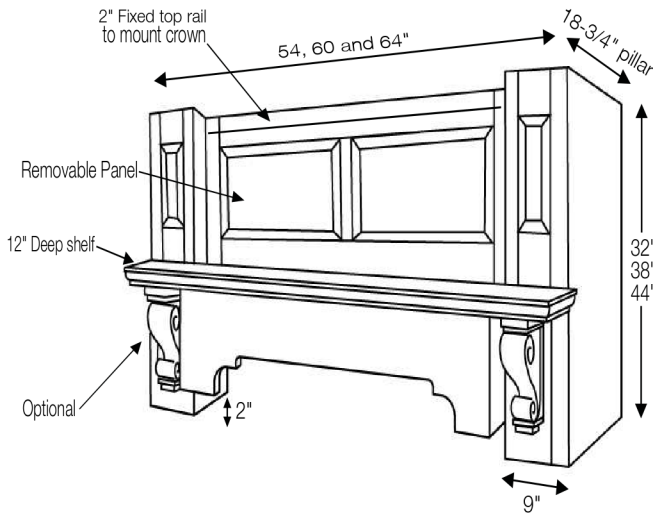


- Profile options - Framing Bead: Regular, Ogee Square or Elite. Panel Raise: Slant, M-Bead, G-Cove, RM, P-057 or P-057 w/ G012 rout.
- Removeable panel is not available.

24" High	MDK3024	\$4,164
	MDK3624	\$4,246
	MDK4824	\$4,431
30" High	MDK3030	\$4,164
	MDK3630	\$4,246
	MDK4830	\$4,431

**? Did You Know?**

You can now enter orders on-line. Go to <http://extranet.candlelightcab.net> and click on the Easy Price tab.



- Not available in rustic.
- The N-Series is constructed from solid wood and veneer core plywood. There is no particleboard used in its construction.
- The N-Series is one of our most flexible hood. Pilasters can be added to the hood and countertop to create many unique looks.
- These hoods are designed for HVL, PML and PBL liners (pages 13.29, 13.30 and 13.31)
- Please refer to page 3.31 for width limitations on the BR Ventilator
- Please refer to wood hood considerations ( page 3.27 ) for more information.
- **Available Corbels (Pg 13.1):** CBL-ART3, CBL-BR1, CBL-FED3, CBL-GR1, CBL-NA1, CBL-PN2, CBL-TB1, CBL-TR3, CBL-PRS3;

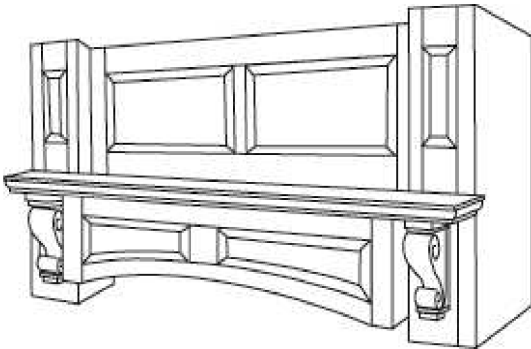
### N-Standard Hood

Height	Model	Price
32" H	NDP5432	\$6,746
	NDP6032	\$7,063
	NDP6632	\$7,392
38" H	NDP5438	\$7,094
	NDP6038	\$7,424
	NDP6638	\$7,772
44" H	NDP5444	\$7,487
	NDP6044	\$7,835
	NDP6644	\$7,835

### Wood Hoods & Ventilation » N series » 38" H continued...

38" H	NRA5438	\$7,284
	NRA6038	\$7,613
	NRA6638	\$7,962
44" H	NRA5444	\$7,684
	NRA6044	\$8,032
	NRA6644	\$8,399

### N-Raised Panel Arched Base

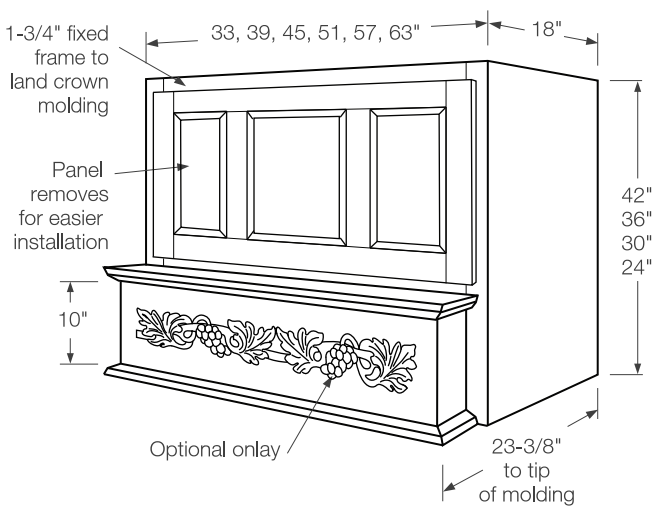


- See Worksheet: Hood Profiles Worksheet (page 4.20)
- Profile options - Framing Bead: Regular, Ogee Square or Elite. Panel Raise: Slant, M-Bead, GCove, RM, P-057 or P-057 w/ G012 rout.
- Removeable panel is not available.

32" H	NRA5432	\$6,943
	NRA6032	\$7,252
	NRA6632	\$7,582

### ? Did You Know?

You can now enter orders on-line. Go to <http://extranet.candlelightcab.net> and click on the Easy Price tab.



- Doors only will be rustic upon request.
- S-Series is available in standard sizes to fit up to 60" cook tops. It is constructed from solid wood and veneer core plywood. There is no particleboard used in its construction. The S-Series is a simple but elegant design.
- The panel above the shelf on the S-Series removes for easier installation. There is a fixed 1-3/4" rail across the top of the hood to mount crown molding to.
- These hoods are designed for HVL, PML, PBL and BR liners (pages 13.29, 13.30 and 13.31). Order the liner smaller than the hood for proper fit, i.e., 39" hoods get 36" liners.
- Display shelf depth is 5-1/2" deep.
- Removable panel standard - must request fixed panel.
- Please refer to page 3.31 for width limitations on the BR Ventilator
- Please refer to wood hood considerations ( page 3.27 ) for more information.
- **Available Onlays (Pg 13.2):** APL-AC20, APL-G20, APL-SA20;

S-Standard		S
<ul style="list-style-type: none"> <li>• Profile options - Framing Bead: Regular, Ogee Square or Elite. Panel Raise: Slant, M-Bead, G-Cove, RM, P-057 or P-057 w/ G012 rout.</li> </ul>		
24" High	S3324	\$4,157
	S3924	\$4,224
	S4524	\$4,336
	S5124	\$4,521
	S5724	\$4,582
	S6324	\$4,702
30" High	S3330	\$4,336
	S3930	\$4,407
	S4530	\$4,541
	S5130	\$4,732
	S5730	\$4,814
	S6330	\$4,952
36" High	S3336	\$4,541
	S3936	\$4,644
	S4536	\$4,785
	S5136	\$4,999
	S5736	\$5,091
	S6336	\$5,230
42" High	S3342	\$4,634
	S3942	\$4,743
	S4542	\$4,897
	S5142	\$5,127
	S5742	\$5,230
	S6342	\$5,390

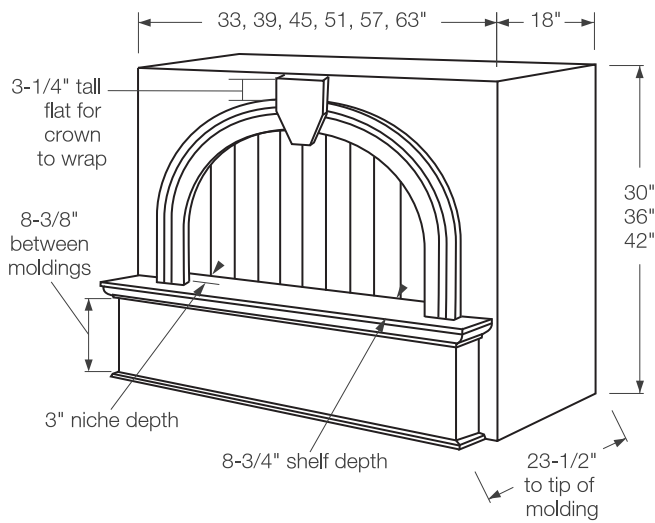
S-Raised Panel Arched Base		SRA
<ul style="list-style-type: none"> <li>• Profile options - Framing Bead: Regular, Ogee Square or Elite. Panel Raise: Slant, M-Bead, G-Cove, RM, P-057 or P-057 w/ G012 rout.</li> </ul>		
24" High	SRA3324	\$4,676
	SRA3924	\$4,839
	SRA4524	\$5,049
	SRA5124	\$5,329
	SRA5724	\$5,510
	SRA6324	\$5,755
30" High	SRA3330	\$4,804
	SRA3930	\$4,982
	SRA4530	\$5,198
	SRA5130	\$5,506
	SRA5730	\$5,702
	SRA6330	\$5,965
36" High	SRA3336	\$4,929
	SRA3936	\$5,128
	SRA4536	\$5,361
	SRA5136	\$5,688
	SRA5736	\$5,889
	SRA6336	\$6,159

42" High	SRA6342	\$6,408
	SRA3342	\$5,113
	SRA3942	\$5,322
	SRA4542	\$5,571
	SRA5142	\$5,904
	SRA5742	\$6,126



*Did You Know?*

Your acknowledgement is posted on the extranet in PDF format. Go to <http://extranet.candlelightcab.net> and click on the orders tab.



- Not available in rustic.
- A-Series is available in standard sizes to fit up to 60" cook tops. It is constructed from solid wood and veneer core plywood. The beadboard panel on the A-Series removes for easier installation.
- Recess in the display niche is sized to fit Hafele's Halogen light bars available directly from Hafele.
- These hoods are designed for HVL, PML, PBL and BR liners (pages 13.29, 13.30 and 13.31). Order the liner smaller than the hood for proper fit, i.e., 39" hoods get 36" liners.
- \*\*The A-Series is not available in a 24" height.
- Beadboard being removable for easier installation can be finished to a different color than the hood.
- Please refer to page 3.31 for width limitations on the BR Ventilator
- Please refer to wood hood considerations ( page 3.27 ) for more information.
- **Available Onlays (Pg 13.2):** APL-AC20, APL-G20, APL-SA20;

**A-Standard Hood** A

30" High	A3330	\$4,880
	A3930	\$4,958
	A4530	\$5,091
	A5130	\$5,287
	A5730	\$5,360
	A6330	\$5,497
36" High	A3336	\$5,097
	A3936	\$5,201
	A4536	\$5,333
	A5136	\$5,555
	A5736	\$5,648
	A6336	\$5,788
42" High	A3342	\$5,189
	A3942	\$5,291
	A4542	\$5,447
	A5142	\$5,672
	A5742	\$5,774
	A6342	\$5,935

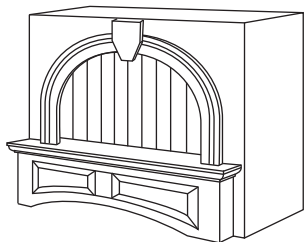
Wood Hoods & Ventilation » A-Series » 36" High continued...

36" High	ARA3336	\$6,229
	ARA3936	\$6,342
	ARA4536	\$6,523
	ARA5136	\$6,778
	ARA5736	\$7,194
	ARA6336	\$7,452
42" High	ARA3342	\$6,633
	ARA3942	\$6,758
	ARA4542	\$6,962
	ARA5142	\$7,242
	ARA5742	\$7,690
	ARA6342	\$7,988

**? Did You Know?**

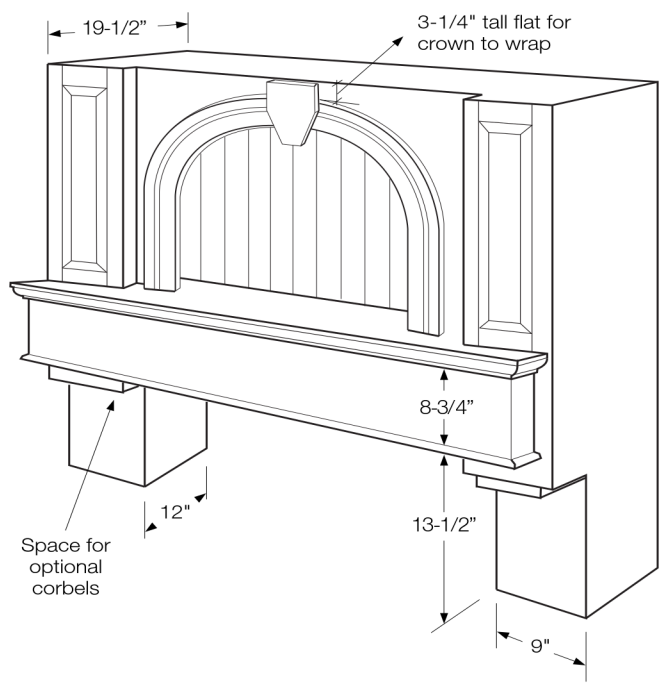
You can now enter orders on-line. Go to <http://extranet.candlelightcab.net> and click on the Easy Price tab.

**A-Raised Panel Arched Base** ARA



- Profile options - Framing Bead: Regular, Ogee Square or Elite. Panel Raise: Slant, M-Bead, G-Cove, RM, P-057 or P-057 w/ G012 rout.

30" High	ARA3330	\$6,003
	ARA3930	\$6,085
	ARA4530	\$6,260
	ARA5130	\$6,490
	ARA5730	\$6,887
	ARA6330	\$7,155

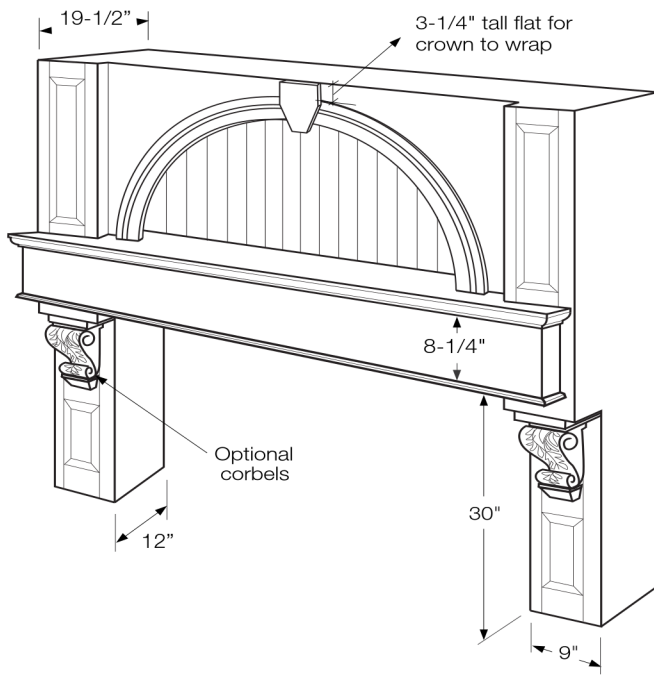


- Not available in rustic.
- L-Series is constructed from solid wood and veneer core plywood.
- L-Series is an elegant hearth style hood with a generous display niche. The large crown mantle shelf makes a statement in any kitchen. The beadboard panel on the L-Series removes to give access for easier ventilation installation.
- Recess in the display niche is sized to fit Hafele's Halogen light bars available directly from Hafele.
- Hood can accommodate corbels up to 9" wide, 12" high and 6" deep.
- Beadboard being removable for easier installation can be finished to a different color than the hood.
- The bottom of the L-Series mantle shelf is designed to be placed 30" above the cooking surface. To determine a finished height of the hood, take the total hood height and subtract 13.5" and add 66", or the distance from the floor.
- These hoods are designed for HVL, PML and PBL liners (pages 13.29, 13.30 and 13.31)
- Please refer to wood hood considerations ( page 3.27 ) for more information.
- BR liner will not work in this application
- **Available Onlays (Pg 13.2):** APL-AC20, APL-G20, APL-SA20;

L-Standard Hood		L
<ul style="list-style-type: none"> <li>• See Wood Hood Corbels section for optional add-on.</li> <li>• See Wood Hood Onlays section for optional. add-on.</li> <li>• Profile options - Framing Bead: Regular, Ogee Square or Elite. Panel Raise: Slant, M-Bead, G-Cove, RM, P-057 or P-057 w/ G012 rout.</li> </ul>		
44" High	L5444	\$7,689
	L6044	\$7,953
	L6644	\$8,234
50" High	L5450	\$7,977
	L6050	\$8,268
	L6650	\$8,554
56" High	L5456	\$8,321
	L6056	\$8,619
	L6656	\$8,928

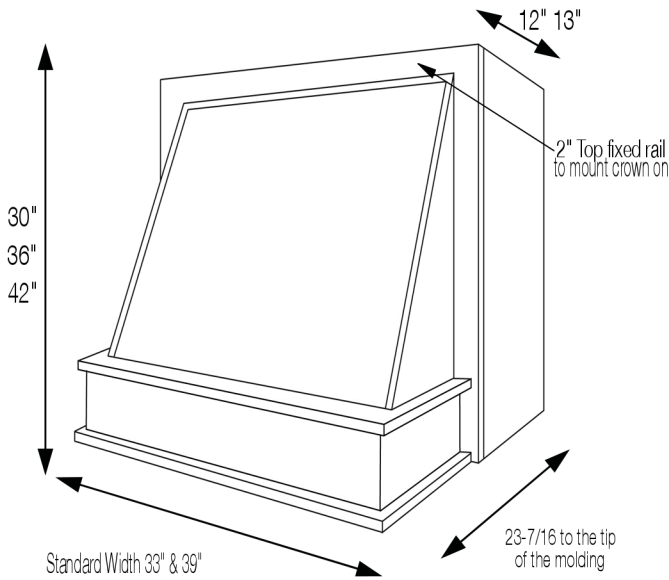
**? Did You Know?**

Your acknowledgement is posted on the extranet in PDF format. Go to <http://extranet.candlelightcab.net> and click on the orders tab.



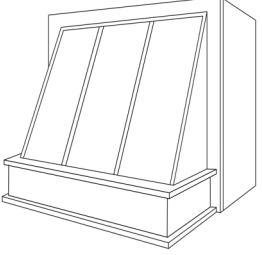
- Not available in rustic.
- O-Series is rich with detail. Its display niche and large crown mantle shelf make a statement in any kitchen. The beadboard panel on the O-Series removes to give access for easier installation. The O-Series is constructed from solid wood and veneer core.
- Recess in the display niche is sized to fit Hafele's Halogen light bars available directly from Hafele.
- Beadboard being removable for easier installation can be finished to a different color than the hood.
- Specify full panel or small panel pillars. Small panel pillars can accommodate corbels up to 9" wide, 14-3/16" high and 6" deep.
- \*\*Please note, because the O-Series comes down to the counter, local code requires a certain distance between the pillar and the cooking surface. Please check local code. In most areas, tiling the inside of the pillar eliminates this requirement.
- These hoods are designed for HVL, PML PBL and BR liners (pages 13.29, 13.30 and 13.31)
- Please refer to page 3.31 for width limitations on the BR Ventilator
- Please refer to wood hood considerations ( page 3.27 ) for more information.
- **Available Onlays (Pg 13.2):** APL-AC20, APL-G20, APL-SA20;

O-Standard Hood		O
<ul style="list-style-type: none"> <li>• See Wood Hood Corbels section for optional add-on.</li> <li>• See Wood Hood Onlays section for optional add-on.</li> <li>• Profile options - Framing Bead: Regular, Ogee Square or Elite. Panel Raise: Slant, M-Bead, G-Cove, RM, P-057 or P-057 w/ G012 rout.</li> <li>• Spice rack dimensions: 5" Wide x 26-3/4"High x 10-3/4"Deep, Includes 3 Shelves.</li> </ul>		
60" High	O6660	\$10,019
	O7260	\$10,389
	O8460	\$10,748
	O9060	\$11,191
72" High	O6672	\$10,694
	O7272	\$11,099
	O8472	\$11,489
	O9072	\$11,985
84" High	O6684	\$11,430
	O7284	\$11,866
	O8484	\$12,303
	O9084	\$12,848

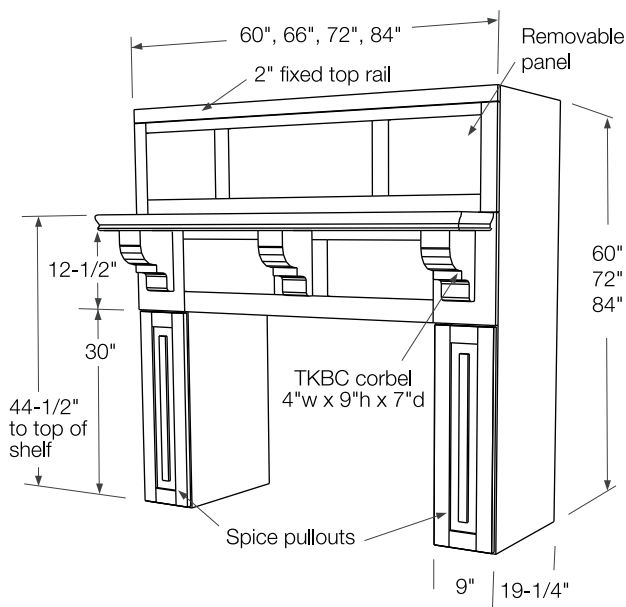


- Not available in rustic.
- Can be orders at 13" deep upon request.
- The P Series is a value hood. These hoods have a simple design available in standard and Baton front.
- Cost effective simple look and design.
- They are available in widths of 30" and 39".
- These hoods are designed for HVL, PML and PBL and BR liners (pages 13.29, 13.30 and 13.31). Order the liner smaller than the hood for proper fit, i.e., 39" hoods get 36" liners.
- Cost effective simple look and design.
- Please refer to wood hood considerations ( page 3.27 ) for more information.

P Standard Hood		
• Can be orders at 13" deep upon request.		
30" H	P3330	\$3,034
	P3930	\$3,098
36" H	P3336	\$3,034
	P3936	\$3,098
42" H	P3342	\$3,287
	P3942	\$3,350

P with Batten		
 <ul style="list-style-type: none"> <li>• See Worksheet: Hood Profiles Worksheet (page 4.20)</li> <li>• Removeable panel is not available.</li> <li>• Can be orders at 13" deep upon request.</li> </ul>		
30" H	PB3330	\$3,161
	PB3930	\$3,224
36" H	PB3336	\$3,161
	PB3936	\$3,224
42" H	PB3342	\$3,414
	PB3942	\$3,478





- Not available in rustic.
- Please refer to wood hood considerations ( page 3.27 ) for more information.
- Unit will ship in (4) pieces.
- Comes standard with TKBC97 corbel. If substituting another corbel, deduct \$978 to remove TKBC97.
- Flush finished ends standard.
- Pull out door will match kitchen, top panels are mortise and tenon.
- Includes powder coated steel liner compatible with HV212, HV410 or HV620. Call for quote on PML or BR style liner.
- **\*\*Please note, because the Grotto comes down to the counter, local code requires a certain distance between the pillar and the cooking surface. Please check local code. In most areas, tiling the inside of the pillar eliminates this requirement.**

Grotto Wood Hood Unit		GROTTO
60" High	Grotto6060	\$5,978
	Grotto6660	\$6,100
	Grotto7260	\$6,224
	Grotto8460	\$6,473
72" High	Grotto6072	\$6,235
	Grotto6672	\$6,356
	Grotto7272	\$6,480
	Grotto8472	\$6,729
84" High	Grotto6084	\$6,494
	Grotto6684	\$6,615
	Grotto7284	\$6,738
	Grotto8484	\$6,985

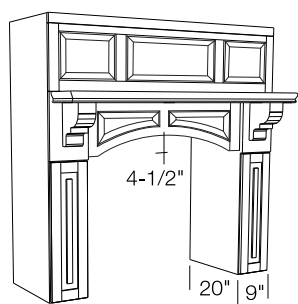
Wood Hoods & Ventilation » Grotto Wood Hood Unit » 72" High continued...

72" High	GrottoArch6072	\$6,763
	GrottoArch6672	\$6,885
	GrottoArch7272	\$7,009
	GrottoArch8472	\$7,257
84" High	GrottoArch6084	\$7,021
	GrottoArch6684	\$7,142
	GrottoArch7284	\$7,267
	GrottoArch8484	\$7,514

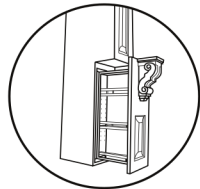
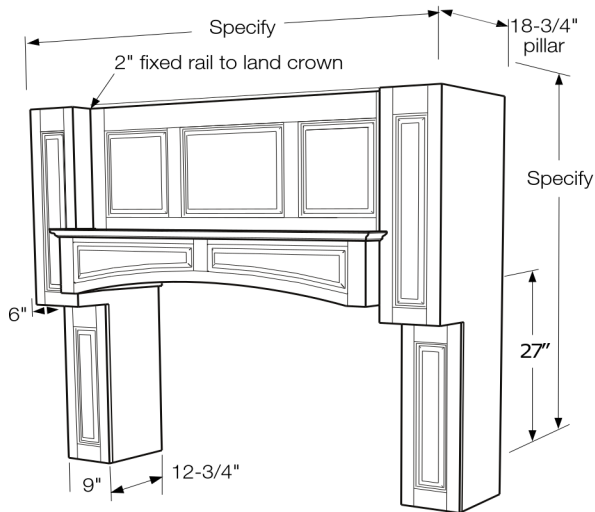
**?** Did You Know?

Your acknowledgement is posted on the extranet in PDF format. Go to <http://extranet.candlelightcab.net> and click on the orders tab.

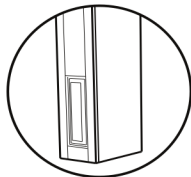
Grotto Arch Wood Hood		GROTTO ARCH
60" High	GrottoArch6060	\$6,506
	GrottoArch6660	\$6,628
	GrottoArch7260	\$6,752
	GrottoArch8460	\$7,000



- Comes standard with TKBC97 corbel. If substituting another corbel, deduct \$651 to remove TKBC97.



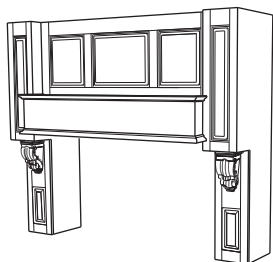
**Spice Rack Option**  
(Corbel not included)



**Small Panel Pillar**

- Not available in rustic.
- W-Series is at home in the most elegant of kitchens. It mimics the cooking hearths of times past. The W-Series is constructed from solid wood and veneer core plywood. There is no particleboard used in its construction.
- Specify full panel or small panel pillars. Small panel pillars can accommodate corbels up to 9" wide, 14-3/16" high and 6" deep.
- 30" clearance between the bottom of the shelf/arched panel and the bottom of the pillar.
- Display shelf depth is 7-1/4" deep.
- Ships in four pieces, ready to assemble.
- Removable panel standard - must request fixed panel.
- **\*\*Please note**, because the W-Series comes down to the counter, local code requires a certain distance between the pillar and the cooking surface. Please check local code. In most areas, tiling the inside of the pillar eliminates this requirement.
- These hoods are designed for HVL, PML and PBL liners (pages 13.29, 13.30 and 13.31)
- Please refer to wood hood considerations ( page 3.27 ) for more information.
- **Available Corbels (Pg 13.1):** CBL-ART3, CBL-BR1, CBL-FED3, CBL-GR1, CBL-NA1, CBL-PN2, CBL-TB1, CBL-TR3, CBL-PRS3;

**W-Solid Valance w/Lower Cabinets** W



- See Wood Hood Corbels section for optional add-on.
- See Wood Hood Onlays section for optional add-on.
- Profile options - Framing Bead: Regular, Ogee Square or Elite. Panel Raise: Slant, M-Bead, G-Cove, RM, P-057 or P-057 w/ G012 rout.
- Available with Pullout Spice Rack (-w/PSR). Specify if you need full panel or small panel pillars.
- Spice rack dimensions: 5" Wide x 26-3/4"High x 10-3/4"Deep, Includes 3 Shelves

60" High	W7260	\$8,230
	W7260-W/PSR	\$10,981
	W8460	\$8,563
	W8460-W/PSR	\$11,308
	W9060	\$8,986
	W9060-W/PSR	\$11,737

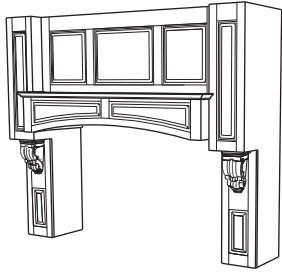
Wood Hoods & Ventilation » W-Series » 72" High continued...

72" High	W7272	\$8,652
	W7272-W/PSR	\$11,403
	W8472	\$9,257
	W8472-W/PSR	\$12,003
	W9072	\$9,716
84" High	W9072-W/PSR	\$12,461
	W7284	\$9,612
	W7284-W/PSR	\$12,359
	W8484	\$10,019
	W8484-W/PSR	\$12,771
W9084	\$10,527	
W9084-W/PSR	\$13,274	

**Warning!**

Any blower unit not purchased through Candlelight is at designer's discretion and is not something Candlelight verifies for proper fitting.

W-Arched Valance w/Lower Cabinets WRA

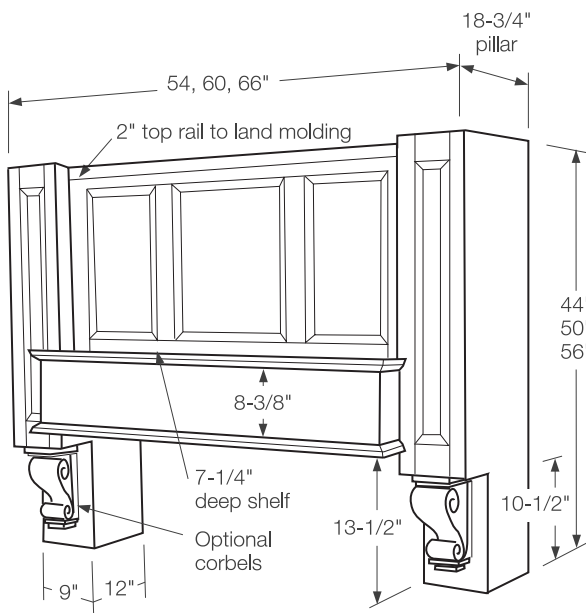


- See Wood Hood Corbels section for optional add-on.
- Profile options - Framing Bead: Regular, Ogee Square or Elite. Panel Raise: Slant, M-Bead, G-Cove, RM, P-057 or P-057 w/ G012 rout.
- Available with Pullout Spice Rack (-w/PSR). Specify if you need full panel or small panel pillars.
- Spice rack dimensions: 5" Wide x 26-3/4"High x 10-3/4"Deep, Includes 3 Shelves

60" High	WRA7260	\$9,061
	WRA7260-W/PSR	\$11,815
	WRA8460	\$9,463
	WRA8460-W/PSR	\$12,214
	WRA9060	\$9,957
	WRA9060-W/PSR	\$12,710
72" High	WRA7272	\$9,716
	WRA7272-W/PSR	\$12,461
	WRA8472	\$10,156
	WRA8472-W/PSR	\$12,909
	WRA9072	\$10,687
	WRA9072-W/PSR	\$13,435
84" High	WRA7284	\$10,435
	WRA7284-W/PSR	\$13,188
	WRA8484	\$10,914
	WRA8484-W/PSR	\$13,665
	WRA9084	\$11,501
	WRA9084-W/PSR	\$14,246

**Warning!**

Any blower unit not purchased through Candlelight is at designer's discretion and is not something Candlelight verifies for proper fitting.



- Not available in rustic.
- H-Series mimics the hearth look of the W-Series but does not require the additional space needed when the pillar goes all the way to the counter.
- 66" wide will be 3 panel wide.
- 54" wide and 60" wide will be 2 panels wide.
- Display shelf depth is 7-1/4" deep.
- Can accommodate corbels up to 9" wide, 10-1/2" high and 6" deep.
- The bottom of the H-Series mantle shelf is designed to be placed 30" above the cooking surface. To determine a finished height of the hood, take the total height and subtract 13.5" and add 66" or distance from the floor.
- These hoods are designed for HVL, PML and PBL liners (pages 13.29, 13.30 and 13.31)
- Please refer to wood hood considerations ( page 3.27 ) for more information.
- BR Vent will not work in this application
- **Available Onlays (Pg 13.2):** APL-AC20, APL-G20, APL-SA20;

H-Standard Hood		H
<ul style="list-style-type: none"> <li>• See Wood Hood Onlays section for optional add-on.</li> <li>• Profile options - Framing Bead: Regular, Ogee Square or Elite. Panel Raise: Slant, M-Bead, G-Cove, RM, P-057 or P-057 w/ G012 rout.</li> </ul>		
44" High	H5444	\$6,738
	H6044	\$7,035
	H6644	\$7,340
50" High	H5450	\$7,063
	H6050	\$7,375
	H6650	\$7,699
56" High	H5456	\$7,439
	H6056	\$7,771
	H6656	\$8,115

Wood Hoods & Ventilation » H-Series » 50" High continued...

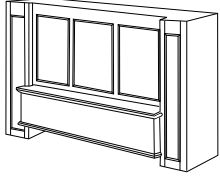
50" High	HRA5450	\$7,775
	HRA6050	\$8,090
	HRA6650	\$8,411
56" High	HRA5456	\$8,151
	HRA6056	\$8,486
	HRA6656	\$8,831

H-Arched Valance		HRA
<ul style="list-style-type: none"> <li>• See Wood Hood Corbels section for optional add-on.</li> <li>• Profile options - Framing Bead: Regular, Ogee Square or Elite. Panel Raise: Slant, M-Bead, G-Cove, RM, P-057 or P-057 w/ G012 rout.</li> </ul>		
44" High	HRA5444	\$7,452
	HRA6044	\$7,752
	HRA6644	\$8,054

H2-RA		H2RA
<ul style="list-style-type: none"> <li>• Profile options - Framing Bead: Regular, Ogee Square or Elite. Panel Raise: Slant, M-Bead, G-Cove, RM, P-057 or P-057 w/ G012 rout.</li> </ul>		
32" High	H2RA 4232	\$5,905
	H2RA 4832	\$6,199
	H2RA 5432	\$6,480
	H2RA 6032	\$6,773
	H2RA 6632	\$7,089

38" High	H2RA 4238	\$6,199
	H2RA 4838	\$6,506
	H2RA 5438	\$6,807
	H2RA 6038	\$7,123
	H2RA 6638	\$7,450
44" High	H2RA 6644	\$7,762
	H2RA 4244	\$6,536
	H2RA 4844	\$6,834
	H2RA 5444	\$7,137
	H2RA 6044	\$7,483

H2 H2



- Profile options - Framing Bead: Regular, Ogee Square or Elite. Panel Raise: Slant, M-Bead, G-Cove, RM, P-057 or P-057 w/ G012 rout.

32" High	H2 4232	\$5,248
	H2 4832	\$5,533
	H2 5432	\$5,777
	H2 6032	\$6,067
	H2 6632	\$6,368
38" High	H2 4238	\$5,531
	H2 4838	\$5,810
	H2 5438	\$6,092
	H2 6038	\$6,399
	H2 6638	\$6,826
44" High	H2 4244	\$5,831
	H2 4844	\$6,126
	H2 5444	\$6,425
	H2 6044	\$6,748
	H2 6644	\$7,097

**Warning!**

Any blower unit not purchased through Candlelight is at designer's discretion and is not something Candlelight verifies for proper fitting.



- **See Specification: HV Vent Specifications** (page 3.31)
- Liner is sized to fit VC,E,D,G,T,M,S,C,A,L,O,W and H Series Hoods.
- Price includes power coated steel liner and HV620 vent
- Liner is attached to the sides and back of the hood with screws (6 total).

HVL600-30	\$2,479
HVL600-36	\$2,525
HVL600-42	\$2,581
HVL600-48	\$2,650

**Warning!**

Any blower unit not purchased through Candlelight is at designer's discretion and is not something Candlelight verifies for proper fitting.



HV212



HV410/HV620

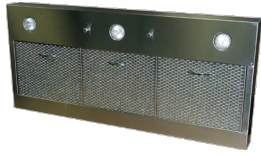
- **See Specification: HV Vent Specifications** (page 3.31)

DuctlessKit HV Series	\$255
HV212	\$1,008
HV410	\$1,905
HV620	\$2,165

**? Did You Know?**

Your acknowledgement is posted on the extranet in PDF format. Go to <http://extranet.candlelightcab.net> and click on the orders tab.

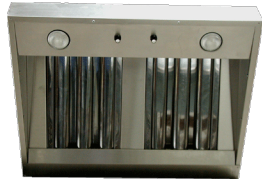
**Professional Mesh Liners PML**



- **See Specification: PML Vent (page 3.27)**
- PML Ventilators- Wall Hood Rectangular Liner.
- Preferred Ventilation for G, T, M, K, W, E, S, H, C, A, L, V and O.
- To order Island hood ventilators, add an I to the SKU and increase the price by \$748 list.
- Liner is attached to the sides and back of the hood with screws (6 total).

Internal 600CFM	PML600-30	\$3,688
	PML600-36	\$3,801
	PML600-42	\$3,929
	PML600-48	\$4,053
	PML600-54	\$4,210
	PML600-60	\$4,377
Internal 1000CFM	PML1000-36	\$4,790
	PML1000-42	\$4,921
	PML1000-48	\$5,047
	PML1000-54	\$5,205
	PML1000-60	\$5,364
Internal 1200CFM	PML1200-36	\$4,902
	PML1200-42	\$5,033
	PML1200-48	\$5,158
	PML1200-54	\$5,318
	PML1200-60	\$5,477
Remote 600CFM	PML600R-30	\$4,901
	PML600R-36	\$5,016
	PML600R-42	\$5,149
	PML600R-48	\$5,271
	PML600R-54	\$5,431
	PML600R-60	\$5,588
Remote 1200CFM	PML1200R-36	\$6,397
	PML1200R-42	\$6,533
	PML1200R-48	\$6,652
	PML1200R-54	\$6,810
	PML1200R-60	\$6,976
Remote 1500CFM	PML1500R-36	\$7,303
	PML1500R-42	\$7,432
	PML1500R-48	\$7,556
	PML1500R-54	\$7,715
	PML1500R-60	\$7,878

**Professional Baffle Liners PBL**



- **See Specification: PBL Vent (page 3.28)**
- PBL Ventilators- Wall Hood Rectangular Liner.
- Preferred Ventilation for G, T, M, K, W, E, S, H, C, A, L, V and O.
- Liner is attached to the sides and back of the hood with screws (6 total).

Internal 600CFM	PBL600-30	\$4,994
	PBL600-36	\$5,137
	PBL600-42	\$5,297
	PBL600-48	\$5,375
	PBL600-54	\$5,526
	PBL600-60	\$5,602
Internal 1000CFM	PBL1000-36	\$6,130
	PBL1000-42	\$6,290
	PBL1000-48	\$6,360
	PBL1000-54	\$6,516
	PBL1000-60	\$6,588
Internal 1200CFM	PBL1200-36	\$6,242
	PBL1200-42	\$6,403
	PBL1200-48	\$6,474
	PBL1200-54	\$6,629
	PBL1200-60	\$6,701
Remote 600CFM	PBL600R-30	\$6,208
	PBL600R-36	\$6,356
	PBL600R-42	\$6,516
	PBL600R-48	\$6,588
	PBL600R-54	\$6,743
	PBL600R-60	\$6,814
Remote 1200CFM	PBL1200R-36	\$7,735
	PBL1200R-42	\$8,800
	PBL1200R-48	\$7,965
	PBL1200R-54	\$8,122
	PBL1200R-60	\$8,193
Remote 1500CFM	PBL1500R-36	\$8,642
	PBL1500R-42	\$8,800
	PBL1500R-48	\$8,872
	PBL1500R-54	\$9,027
	PBL1500R-60	\$9,098

## BR Ventilator



	30	36
Wood Hood Size and Model	28-3/8	34-3/8
VC, G, T	30	36
E, D	N/A	36
M	30	36
S, A, P	33	39
H, L, N	N/A	54
I	N/A	N/A

- **See Specification: BR Vent** (page 3.30)
- Price includes power coated steel liner and SR390 vent
- BR Ventilators- Wall Hood Rectangular Liner.
- Please refer to the chart above for which hoods this blower will fit in
- Liner is attached to the sides and back of the hood with screws.

BR390-30	\$1,581
BR390-36	\$1,581



### Warning!

Any blower unit not purchased through Candlelight is at designer's discretion and is not something Candlelight verifies for proper fitting.





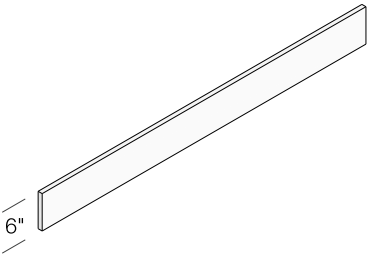
**Valance, Panels, Molding & Accents**

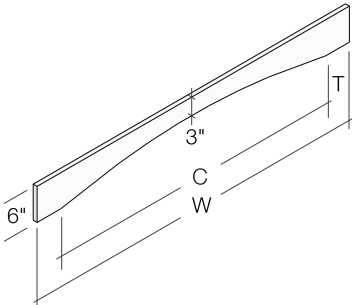
1/2" Duralux 2-sided	DURA	14.7	Club Bunn	BF-C04	14.44
1/2" Plywood	1/2"-PAN	14.7	Counter Edge Ogee	CEO	14.18
1/4" Beaded Panel	BDPAN	14.7	Country Cottage	MPKG-CC	14.36
3/16" Veneer	3/16"-PAN	14.7	Country French Plain	CFP	14.32
3/4" Plywood	3/4"-PAN	14.7	Cove	CV	14.17
A-Valance	A	14.1	Cove	RTF-Cove	14.29
AC Applique	APL-AC	14.39	Cove Crown	RTF-CC	14.29
AC-Valance	AC	14.2	Crossgrain Panel	XGRAIN	14.7
ARV-Valance	ARV	14.3	Crown 1126W		14.10
Acanthus Applique	AA	14.39	Crown 115	115	14.19
Acanthus Large Corbel	LAC	14.40	Crown 1299	1299	14.19
Acanthus Medallion	APL-VA	14.39	Crown 1529W		14.10
Acanthus Small Corbel	SAC	14.40	Crown 1797	1797	14.20
Acanthus Vertical Onlay	APL-VAC	14.39	Crown 2293	2293	14.21
Acanthus XL Corbel	XLAC	14.40	Crown 2298	2298	14.20
Angled Corner Molding	ACM	14.17	Crown 2310	2310	14.21
Apple Bunn	BF-A04	14.44	Crown 2325	2325	14.21
Art Corbel	CBL-ART	14.40	Crown 2399	2399	14.20
Arts & Crafts	MPKG-AC	14.35	Crown 3099	3099	14.20
Arts & Crafts Large Corbel	LAR	14.40	Crown 3897	3897	14.13
Arts & Crafts Small Corbel	SAR	14.40	Crown 4195	4195	14.20
Arts and Craft Light Bar	ACLB	14.16	Crown 4699	4699	14.20
Base Board	BB	14.15	Crown 48	48	14.19
Base Molding 293	293	14.22	Crown 4997	4997	14.21
Base Molding 4198	4198	14.22	Crown 51	51	14.19
Base Molding 5198	5198	14.15	Crown 538W		14.10
Base Molding 618	618	14.22	Crown 6097	6097	14.12
Base Molding 623	623	14.22	Crown 6497	6497	14.12
Base Molding 635	635	14.22	Crown 86	86	14.19
Base Molding 9993	9993	14.22	Crown ACC	ACC	14.21
Base Shoe	BS	14.15	Crown ACCS	ACCS	14.21
Batten	BM	14.17	Crown Arts & Crafts	AC	14.13
Batten	RTF-Batten	14.29	Crown Decorative Insert	DC	14.19
Batten 13W		14.10	Crown Decorative Small Insert	SDC	14.12
Beaded Panel B09W		14.11	Crown Double Cove	CDC	14.19
Beaded Trim Molding	BTM	14.16	Crown Large	CL	14.12
Beaded Wainscoat	BW03	14.17	Crown Medium	CM	14.12
Belford		14.34	Crown Mold Contemporary	CMC	14.19
Beveled Arts & Crafts Light Bar	BACLB	14.24	Crown Small	SCM	14.12
Bracket Corbel	CBL-BR	14.40	Crown Z	ZCL	14.20
Brunswick Bunn	BF-B04	14.44	DRA-Valance	DRA	14.2
CF-Valance	CF	14.3	EC-Valance	EC	14.2
CV-Valance		14.3	End Blocks	End Blocks	14.43
Chair Rail 390A	390A	14.23	English Country	EC	14.31
Chair Rail 3951	3951	14.23	English Country Double Square	ECDS	14.32
Chair Rail 538	538	14.23	English Estate Fluted	EEF	14.33
Chautauqua Wainscoat	CW03	14.27	FV-Valance	FV	14.2
Circular Applique	APL-DRS	14.39	Federal Corbel	CBL-FED	14.40
Classical#1	MPKG-C1	14.37	Federal Fluted Corbel	CBL-FF	14.41

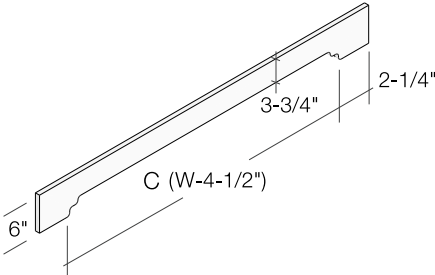
Finishing Disclaimer		14.38	Rochelle Corner Foot	RF-C04	14.45
Fluted Spindle	FM-08	14.43	Rochelle Feet	RF-P04	14.45
Frame Stock 8'	FS	14.9	Rope Spindle	RPS-08	14.43
French Country	MPKG-FC	14.36	STR-Valance	STR	14.1
Frieze Mounting Plate	FMP	14.13	Scribe	RTF-Scribe	14.29
Frieze Plate Reversible	RFP	14.13	Scribe 14W		14.10
Georgia Bunn	BF-G04	14.44	Scribe 1809W		14.10
Gothic Chateau	MPKG-GC	14.36	Scribe Large	SML	14.18
Grape Applique	GA	14.39	Scribe Small	SM	14.18
Grape Applique	APL-G	14.39	Settler	MPKG-SE	14.36
Grape Corbel	CBL-GR	14.41	Shaker Coved Light Bar	SCLB	14.23
Grape Large Corbel	LGC	14.41	Shell Applique	APL-SA	14.39
Grape Small Corbel	SGC	14.41	Ship Lap		14.17
Grape Small Ornament	SGO	14.39	Shoe	RTF-Shoe	14.29
Greco-Roman Fluted	GRF	14.30	Small Light Bar	SLBM	14.16
Greco-Roman Plain	GRP	14.30	Soffit Trim Board	STB	14.29
Greco-Roman Rope	GRR	14.31	Solid Stock 3"	SS03	14.9
H Light Bar	HLB	14.16	Solid Stock 6"	SS06	14.9
Harmony Batten	HBM	14.28	Solid Stock 9"	SS09	14.9
Harmony Scribe	HSM	14.28	Spindle	Spindle A	14.43
Insert Dental	ID	14.14	Square Apple Bunn	BF-SA04	14.44
Insert Diamond & Oval	IDO	14.14	Square Column Onlay Parts	SCO	14.43
Insert Egg & Dart	IED	14.14	Square Column Post	SCP	14.33
Insert Rope	IR	14.14	Square Post	SQP	14.33
Insert Studded	IS	14.14	Square Tulip Bunn	BF-STU04	14.44
Leaf Corbel	CBL-NH	14.41	Stockholm Batten	SBM	14.28
Leaf XL Corbel	XLLC	14.40	Stockholm Scribe	SSM	14.28
Light Bar	LBM	14.23	TB Corbel	CBL-TB	14.42
Light Bar Contemporary	LBC	14.23	TOE Valance 5198	ToeV-5198	14.4
Light Rail	LR	14.16	TV-Valance		14.3
Light Rail Canterbury	CLR	14.23	Taper Bunn 2 side	BF-TA02	14.45
Light Rail Contemporary	CLB	14.23	Taper Bunn 4 side	BF-TA04	14.44
Linea Corbel	CBL-LIN	14.41	Tapered 2 Sides	TP2	14.34
Matching Toe Kick	MTK	14.15	Tapered 4 Sides	TP4	14.34
Mission Taper Post	MTP	14.33	Toe Valance A	ToeV-A	14.4
Morris Column Post	MCP	14.34	Toe Valance CV	ToeV-CV	14.5
Narrow Leaf Corbel	CBL-NA	14.41	Toe Valance FV	ToeV-FV	14.5
New Bracket Corbel	CBL-NBR	14.40	Toe Valance RA	ToeV-RA	14.5
Outside Corner	OCM	14.17	Toe Valance TV	ToeV-TV	14.6
Outside Corner	RTF-OCM	14.29	Traditional Corbel	CBL-TR	14.42
PN Corbel	CBL-PN	14.42	Traditional Cove Crown	MLD-BT3	14.20
Pilaster Post	PP	14.33	Traditional Small Scroll Corbel	SSC	14.41
Plain Spindle	PS-08	14.43	Trim 105	105	14.25
Prairie	MPKG-PR	14.35	Trim 108	108	14.25
Provincial Corbel	CBL-PR	14.42	Trim 133	133	14.25
Queen Ann	MPKG-QA	14.35	Trim 158	158	14.25
RA-Valance	RA	14.1	Trim 186	186	14.25
RTF 1/8" Panel		14.8	Trim 1899	1899	14.26
Reeded Spindle	RM-08	14.43	Trim 2317	2317	14.27

Trim 2997	2997	14.26
Trim 316	316	14.25
Trim 320	320	14.25
Trim 330S	330S	14.25
Trim 3495	3495	14.26
Trim 3497	3497	14.26
Trim 351	351	14.25
Trim 3698	3698	14.26
Trim 4299	4299	14.26
Trim 444	444	14.26
Trim 550	550	14.26
Trim 5597	5597	14.26
Trim 5795	5795	14.27
Trim 7195	7195	14.27
Trim 977	977	14.26
Trim Wainscote Cap	WCC	14.27
Tulip Bunn	BF-TU04	14.44
Wide Leaf Corbel	CBL-WA	14.41
Williamsburg	MPKG-WI	14.35
Window Arched Valance	WINARV	14.4
Wood Combo Covers	Combo	14.46
Wood Duplex Covers	Duplex	14.46
Wood GFI/Rocker Covers	GFI/Rocker	14.46
Wood Toggle Covers	Toggle	14.46

- Add \$43 Special Length Charge.
- Add \$137 Custom Valance.

STR-Valance		STR
		
<ul style="list-style-type: none"> <li>• Straight Valance</li> <li>• Route on one long edge will match door lip except for LC-bead and some mitered doors which will get an eased edge (1/8" radius).</li> </ul>		
STR	V18-STR	\$100
	V24-STR	\$112
	V30-STR	\$118
	V36-STR	\$130
	V48-STR	\$172
	V60-STR	\$217
	V72-STR	\$260
	V84-STR	\$287
V96-STR	\$371	

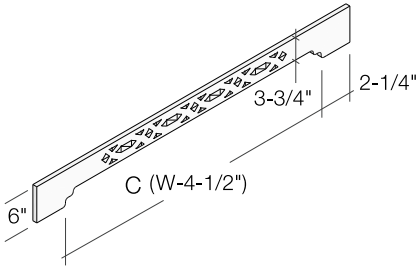
RA-Valance		RA																														
																																
<table border="1" style="border-collapse: collapse;"> <thead> <tr> <th>W</th> <th>C</th> <th>T</th> </tr> </thead> <tbody> <tr><td>18</td><td>12</td><td>3</td></tr> <tr><td>24</td><td>18</td><td>3</td></tr> <tr><td>30</td><td>24</td><td>3</td></tr> <tr><td>36</td><td>30</td><td>3</td></tr> <tr><td>48</td><td>39</td><td>4-1/2</td></tr> <tr><td>60</td><td>48</td><td>6</td></tr> <tr><td>72</td><td>60</td><td>6</td></tr> <tr><td>84</td><td>69</td><td>7-1/2</td></tr> <tr><td>96</td><td>81</td><td>7-1/2</td></tr> </tbody> </table>			W	C	T	18	12	3	24	18	3	30	24	3	36	30	3	48	39	4-1/2	60	48	6	72	60	6	84	69	7-1/2	96	81	7-1/2
W	C	T																														
18	12	3																														
24	18	3																														
30	24	3																														
36	30	3																														
48	39	4-1/2																														
60	48	6																														
72	60	6																														
84	69	7-1/2																														
96	81	7-1/2																														
<ul style="list-style-type: none"> <li>• Roman Arch Valance - See chart for the amount of trim.</li> <li>• Route on long edge will match door lip except for LC-bead and some mitered doors which will get an eased edge (1/8" radius).</li> <li>• Minimum height of 4-1/2" H.</li> <li>• Route can be added to top for baseboard usage. Please specify.</li> </ul>																																
RA	V18-RA	\$156																														
	V24-RA	\$166																														
	V30-RA	\$174																														
	V36-RA	\$200																														
	V48-RA	\$243																														
	V60-RA	\$283																														
	V72-RA	\$323																														
	V84-RA	\$360																														
	V96-RA	\$414																														

A-Valance		A
		
<ul style="list-style-type: none"> <li>• Arched Valance - May be trimmed 1-1/2" from each end.</li> <li>• Route on long edge will match door lip except for LC-bead and some mitered doors which will get an eased edge (1/8" radius).</li> <li>• Route can be added to top for baseboard usage. Please specify.</li> </ul>		
A	V18-A	\$156
	V24-A	\$166
	V30-A	\$174
	V36-A	\$200
	V48-A	\$243
	V60-A	\$283
	V72-A	\$323
	V84-A	\$360
	V96-A	\$414

**Warning!**

Cabinets over 96" with finished ends require Flush Finished Ends. Remember to add the premium.

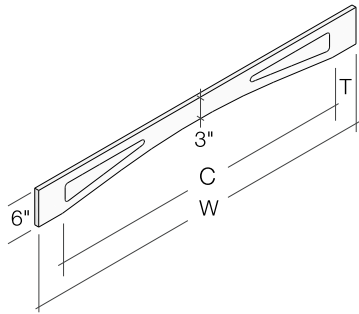
**EC-Valance** **EC**



- English Country Valance - May be trimmed 1-1/2" from each end.
- Route on long edge will match door lip except for LC-bead and some mitered doors which will get an eased edge (1/8" radius).
- Route can be added to top for baseboard usage. Please specify.

EC	V18-EC	\$215
	V24-EC	\$227
	V30-EC	\$240
	V36-EC	\$274
	V48-EC	\$320
	V60-EC	\$356
	V72-EC	\$400
	V84-EC	\$446
	V96-EC	\$471

**DRA-Valance** **DRA**

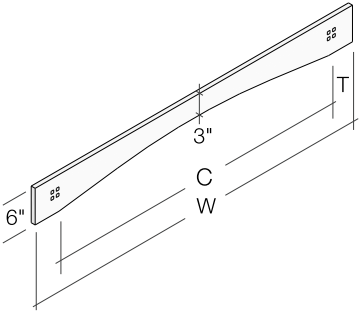


W	C	T
18	12	3
24	18	3
30	24	3
36	30	3
48	39	4-1/2
60	48	6
72	60	6
84	69	7-1/2
96	81	7-1/2

- Deco Roman Arch Valance - See chart for the amount of trim.
- Route on long edge will match door lip except for LC-bead and some mitered doors which will get an eased edge (1/8" radius).
- Route can be added to top for baseboard usage. Please specify.

DRA	V18-DRA	\$215
	V24-DRA	\$227
	V30-DRA	\$240
	V36-DRA	\$274
	V48-DRA	\$320
	V60-DRA	\$359
	V72-DRA	\$400
	V84-DRA	\$446
	V96-DRA	\$471

**AC-Valance** **AC**

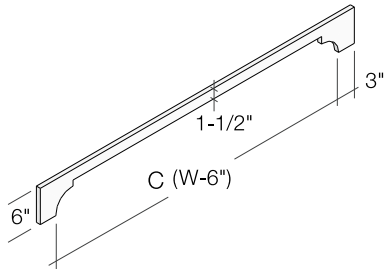


W	C	T
18	12	3
24	18	3
30	24	3
36	30	3
48	39	4-1/2
60	48	6
72	60	6
84	69	7-1/2
96	81	7-1/2

- Arts and Crafts Valance - See chart for the amount of trim.
- Route on long edge will match door lip except for LC-bead and some mitered doors which will get an eased edge (1/8" radius).
- Route can be added to top for baseboard usage. Please specify.

AC	V18-AC	\$215
	V24-AC	\$227
	V30-AC	\$240
	V36-AC	\$274
	V48-AC	\$320
	V60-AC	\$356
	V72-AC	\$400
	V84-AC	\$446
	V96-AC	\$471

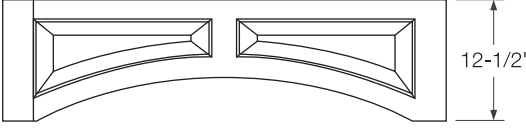
**FV-Valance** **FV**



- Furniture Valance - May be trimmed 1-1/2" from each end.
- Available as two feet for 4-1/2" H applications to give an integrated look when used in a run of cabinets.

FV	V18-FV	\$215
	V24-FV	\$227
	V30-FV	\$240
	V36-FV	\$274
	V48-FV	\$320
	V60-FV	\$356
	V72-FV	\$400
	V84-FV	\$446
	V96-FV	\$471

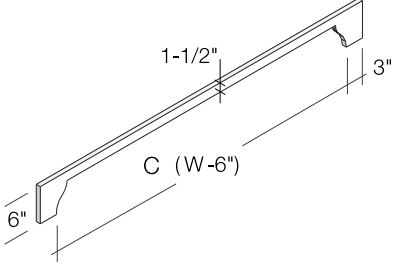
### ARV-Valance ARV



- Arched Raised Valance.
- 30" wide to 72" wide. In 3" increments only.
- Anything off of the 3" increments can be resolved by adding an extended stile to either end to achieve the correct size.
- Horizontal grain panels are standard.
- Vertical Grain and Sizes over 72" available with quote.
- Framing width: 2-3/4" stiles, 2-5/16" rails and 2-1/2" upright mid-rail.
- Height of arch is 4-1/2" high, regardless of valance width.
- Entire outside edge will be square (machine edge), no other choices.
- On mitered door styles, Candlelight will make the closest Framing Bead and Panel Raise substitutions where needed.
- Madison and Applied Molding doors will require a custom quote to have the necessary detail.

ARV	ARV30	\$1,204
	ARV54	\$1,295

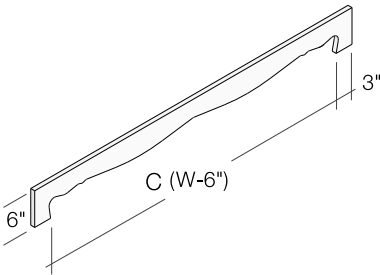
### CV-Valance



- Country Valance - May be trimmed 1-1/2" from each end.

CV	V18-CV	\$215
	V24-CV	\$240
	V30-CV	\$274
	V36-CV	\$274
	V48-CV	\$320
	V60-CV	\$356
	V72-CV	\$400
	V84-CV	\$446
V96-CV	\$471	

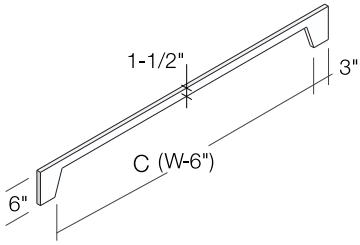
### CF-Valance CF



- Country French Valance - May be trimmed to 4-1/2" high
- Pattern remains constant
- Special lengths will vary the 3" dimension
- 21" minimum.

CF	V24-CF	\$227
	V30-CF	\$240
	V36-CF	\$274
	V48-CF	\$320
	V60-CF	\$356
	V72-CF	\$400
	V84-CF	\$446
	V96-CF	\$471

### TV-Valance



- Tapered Valance - May be trimmed 1-1/2" from each end.

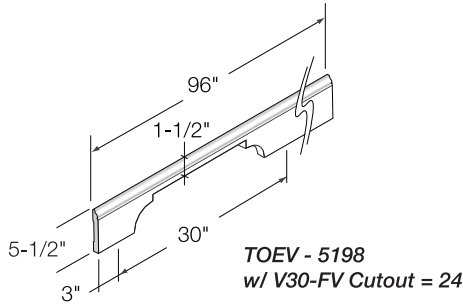
TV	V18-TV	\$215
	V24-TV	\$227
	V30-TV	\$240
	V36-TV	\$274
	V48-TV	\$320
	V60-TV	\$356
	V72-TV	\$400
	V84-TV	\$446
V96-TV	\$471	

**Warning!**

Cabinets over 96" with finished ends require Flush Finished Ends. Remember to add the premium.



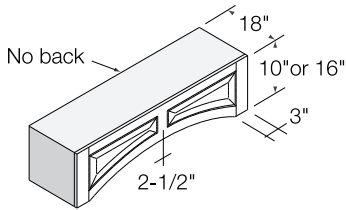
**TOE Valance 5198** **ToeV-5198**



- Designed to provide a furniture toe on the front of a free standing cabinet. The excess can be used to return the sides.
- Available patterns includes FV, A, RA, CV and TV.
- Note the pattern style and length of cutout.
- Pattern will start 3" from end to allow for miter.

TOEV-5198-08	\$478
TOEV-5198-10	\$527

**Window Arched Valance** **WINARV**



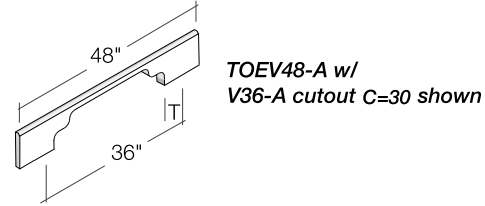
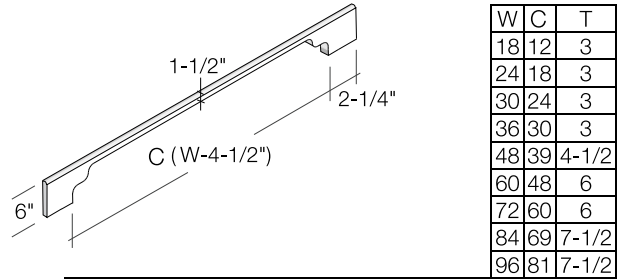
- Inside and ends are finished.
- Cut down depth is available N/C.
- Grain direction of panel raise is horizontal.

WINARV3010	WINARV3016	\$1,614
WINARV3310	WINARV3316	\$1,634
WINARV3610	WINARV3616	\$1,652
WINARV3910	WINARV3916	\$1,674
WINARV4210	WINARV4216	\$1,686
WINARV4510	WINARV4516	\$1,704
WINARV4810	WINARV4816	\$1,726
WINARV5110	WINARV5116	\$1,804
WINARV5410	WINARV5416	\$1,824
WINARV5710	WINARV5716	\$1,844
WINARV6010	WINARV6016	\$1,862
WINARV6310	WINARV6316	\$1,875

**Warning!**

Cabinets over 96" with finished ends require Flush Finished Ends. Remember to add the premium.

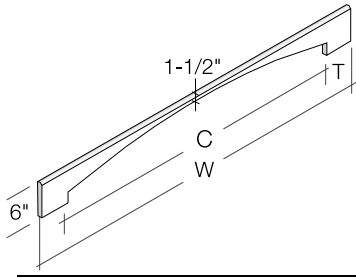
**Toe Valance A** **ToeV-A**



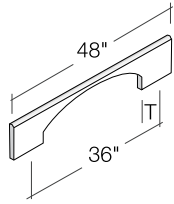
- Route on top edge will match the door lip except for LC-Bead and some mitered doors which will get an eased edge (1/8" radius).
- Specify a shorter pattern in the notes when more trim is needed.

TOEV18-A	\$156
TOEV24-A	\$166
TOEV30-A	\$174
TOEV36-A	\$200
TOEV48-A	\$243
TOEV60-A	\$283
TOEV72-A	\$323
TOEV84-A	\$360
TOEV96-A	\$414

**Toe Valance RA** **ToeV-RA**



W	C	T
18	12	3
24	18	3
30	24	3
36	30	3
48	39	4-1/2
60	48	6
72	60	6
84	69	7-1/2
96	81	7-1/2



*TOEV48-RA w/ V36-RA cutout C=30 shown*

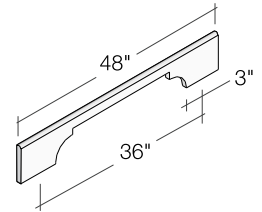
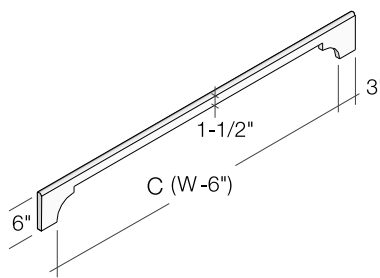
- Route on top edge will match the door lip except for LC-Bead and some mitered doors which will get an eased edge (1/8" radius).
- Specify a shorter pattern in the notes when more trim is needed.

TOEV18-RA	\$156
TOEV24-RA	\$166
TOEV30-RA	\$174
TOEV36-RA	\$200
TOEV48-RA	\$243
TOEV60-RA	\$283
TOEV72-RA	\$323
TOEV84-RA	\$360
TOEV96-RA	\$414

**Warning!**

Cabinets over 96" with finished ends require Flush Finished Ends. Remember to add the premium.

**Toe Valance FV** **ToeV-FV**

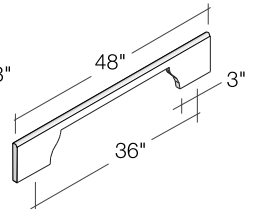
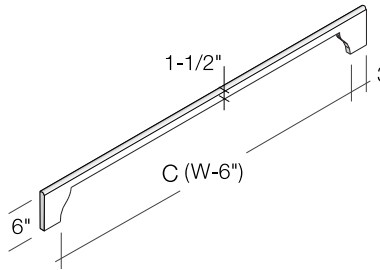


*TOEV48-FV w/ V36-FV cutout C=30 shown*

- Route on top edge will match the door lip except for LC-Bead and some mitered doors which will get an eased edge (1/8" radius).
- Specify a shorter pattern in the notes when more trim is needed.

TOEV18-FV	\$215
TOEV24-FV	\$227
TOEV30-FV	\$240
TOEV36-FV	\$274
TOEV48-FV	\$320
TOEV60-FV	\$356
TOEV72-FV	\$400
TOEV84-FV	\$446
TOEV96-FV	\$471

**Toe Valance CV** **ToeV-CV**



*TOEV48-CV w/ V36-CV cutout C=30 shown*

- Route on top edge will match the door lip except for LC-Bead and some mitered doors which will get an eased edge (1/8" radius).
- Specify a shorter pattern in the notes when more trim is needed.

TOEV18-CV	\$215
TOEV24-CV	\$240
TOEV30-CV	\$274
TOEV36-CV	\$274
TOEV48-CV	\$320
TOEV60-CV	\$356
TOEV72-CV	\$400
TOEV84-CV	\$446
TOEV96-CV	\$471

**Toe Valance TV** **ToeV-TV**

*TOEV48-TV w/  
V36-TV cutout C=30 shown*

- Route on top edge will match the door lip except for LC-Bead and some mitered doors which will get an eased edge (1/8" radius).
- Specify a shorter pattern in the notes when more trim is needed.

TOEV18-TV	\$215
TOEV24-TV	\$227
TOEV30-TV	\$240
TOEV36-TV	\$274
TOEV48-TV	\$320
TOEV60-TV	\$356
TOEV72-TV	\$400
TOEV84-TV	\$446
TOEV96-TV	\$471

**Warning!**

Cabinets over 96" with finished ends require Flush Finished Ends. Remember to add the premium.

3/16" Veneer		3/16"-PAN
<ul style="list-style-type: none"> <li>• Grain will run along height of panel.</li> <li>• 11" and 23" are nominal sizes for 11-1/4" and 23-1/4" wide.</li> </ul>		
3/16"-PAN	3/16" PAN1130	\$92
	3/16" PAN2430	\$134
	3/16" PAN2334	\$99
	3/16" PAN4834	\$215
	3/16" PAN2036	\$154
	3/16" PAN1148	\$123
	3/16" PAN4848	\$217
	3/16" PAN1184	\$178
	3/16" PAN2384	\$305
	3/16" PAN3684	\$591
	3/16" PAN1190	\$199
	3/16" PAN2390	\$329
	3/16" PAN1196	\$199
	3/16" PAN2396	\$329
	3/16" PAN4896	\$710

1/4" Beaded Panel		BDPAN
<ul style="list-style-type: none"> <li>• 48" x 96" panels with beading at 1-1/2" centers. Grain and beading will run 96" direction.</li> <li>• Only available in full sheets.</li> </ul>		
BDPAN	BDPAN4848	\$519
	BDPAN4896	\$946

1/2" Plywood		1/2"-PAN
<ul style="list-style-type: none"> <li>• Grain will run along height of panel.</li> </ul>		
1/2"-PAN 2 Sided	1/2" PAN1230 - 2 SIDE	\$117
	1/2" PAN1248 - 2 SIDE	\$153
	1/2" PAN1296 - 2 SIDE	\$243
	1/2" PAN2448 - 2 SIDE	\$187
	1/2" PAN2496 - 2 SIDE	\$404
	1/2" PAN3684 - 2 SIDE	\$722
	1/2" PAN4834 - 2 SIDE	\$274
	1/2" PAN4840 - 2 SIDE	\$285
	1/2" PAN4848 - 2 SIDE	\$296
	1/2" PAN4896 - 2 SIDE	\$868

**Warning!**

Beadboard panels on sandoff orders will not receive sandoff. Please consider Beaded Wainscoat (BW) if sandoff is desired.

Valance, Panels, Molding & Accents » Panels » 1/2" -PAN 1 Sided continued...

1/2" -PAN 1 Sided	1/2" PAN1230 - 1 SIDE	\$84
	1/2" PAN1248 - 1 SIDE	\$137
	1/2" PAN1296 - 1 SIDE	\$221
	1/2" PAN2448 - 1 SIDE	\$151
	1/2" PAN2496 - 1 SIDE	\$328
	1/2" PAN4834 - 1 SIDE	\$237
	1/2" PAN4840 - 1 SIDE	\$249
	1/2" PAN4848 - 1 SIDE	\$260
	1/2" PAN3684 - 1 SIDE	\$513
	1/2" PAN4896 - 1 SIDE	\$617


1/2" Duralux 2-sided		DURA
<ul style="list-style-type: none"> <li>• Same material as the interior of our standard cabinetry.</li> <li>• Grain will run along height of panel.</li> </ul>		
VIN	DURA2448	\$82
	DURA4848	\$145
	DURA4896	\$218

3/4" Plywood		3/4"-PAN
<ul style="list-style-type: none"> <li>• Must specify if edge banding is needed add 10% per edge</li> <li>• Grain will run along height of panel.</li> </ul>		
3/4"-PAN 2 Sided	3/4" PAN1230 - 2 side	\$139
	3/4" PAN1248- 2 side	\$180
	3/4" PAN1296- 2 side	\$290
	3/4" PAN2448- 2 side	\$225
	3/4" PAN2496- 2 side	\$483
	3/4" PAN3684- 2 side	\$865
	3/4" PAN4834- 2 side	\$402
	3/4" PAN4840- 2 side	\$412
	3/4" PAN4848- 2 side	\$422
	3/4" PAN4896- 2 side	\$1,043
3/4" -PAN 1 Sided	3/4" PAN1230- 1 side	\$110
	3/4" PAN1248 - 1 side	\$157
	3/4" PAN1296 - 1 side	\$206
	3/4" PAN2448- 1 side	\$186
	3/4" PAN2496 - 1 side	\$345
	3/4" PAN3684 - 1 side	\$615
	3/4" PAN4834- 1 side	\$288
	3/4" PAN4840- 1 side	\$296
	3/4" PAN4848- 1 side	\$303
	3/4" PAN4896- 1 side	\$741

Crossgrain Panel		XGRAIN
<ul style="list-style-type: none"> <li>• Grain will run along height of panel.</li> <li>• 3/4" Crossgrain panel are only available in Red Oak, Maple, Cherry and Paint Grade.</li> </ul>		
	7/16" PAN4734	\$421
	7/16" PAN9634	\$741
	3/4" PAN9648	\$1,055

**RTF 1/8" Panel**

RTF-1/8-PAN2434	\$302
RTF-1/8-PAN2434-GLOSS	\$551
RTF-1/8-PAN3634	\$453
RTF-1/8-PAN3634-GLOSS	\$826
RTF-1/8-PAN4834	\$603
RTF-1/8-PAN4834-GLOSS	\$1,101

 **Warning!**

Beadboard panels on sandoff orders will not receive sandoff. Please consider Beaded Wainscoat (BW) if sandoff is desired.

Solid Stock 3" SS03	
<ul style="list-style-type: none"> <li>• Priced per foot of 3" wide board. Specify length (\$23 per foot).</li> <li>• Lengths over 8 feet must be quoted.</li> <li>• Matching edge profile to the doors can be added upon request. Add 10% per edge to have rout please specify.</li> <li>• Lengths of 48" and under requires 1 unfinished edge or face, lengths over 48" requires 2 unfinished edges or 1 edge and 1 face.</li> </ul>	
SolidStock0336	\$69
SolidStock0348	\$92
SolidStock0384	\$161
SolidStock0396	\$184

Solid Stock 6" SS06	
<ul style="list-style-type: none"> <li>• Matching edge profile to the doors can be added upon request. Add 10% per edge to have rout please specify.</li> <li>• Priced per foot of 6" wide board. Specify length (\$40 per foot).</li> <li>• Lengths over 8 feet must be quoted.</li> <li>• Lengths under 48" and under requires 1 unfinished edge or face, lengths over 48" requires 2 unfinished edges or 1 edge and 1 face.</li> </ul>	
SolidStock0636	\$120
SolidStock0648	\$160
SolidStock0684	\$280
SolidStock0696	\$320

Solid Stock 9" SS09	
<ul style="list-style-type: none"> <li>• Priced per foot of 9" wide board. Specify length (\$59 per foot).</li> <li>• Lengths over 8 feet must be quoted.</li> <li>• Matching edge profile to the doors can be added upon request. Add 10% per edge to have rout please specify.</li> <li>• Lengths under 48" and under requires 1 unfinished edge or face, lengths over 48" requires 2 unfinished edges or 1 edge and 1 face.</li> </ul>	
SolidStock0936	\$177
SolidStock0948	\$236
SolidStock0984	\$413
SolidStock0996	\$472

Frame Stock 8' FS	
FS-08	\$103

**Warning!**

Cabinets over 96" with finished ends require Flush Finished Ends. Remember to add the premium.

**Crown 538W**

**NEW!**

- Available in hickory and Red Oak. All other wood species are to be on a per quote basis.
- Molding is weathered.

538W-08	\$214
---------	-------

**Scribe 1809W**

**NEW!**

- Available in hickory and Red Oak. All other wood species are to be on a per quote basis.
- Molding is weathered.

1809W-08	\$86
----------	------

**Crown 1126W**

**NEW!**

- Available in hickory and Red Oak. All other wood species are to be on a per quote basis.
- Molding is weathered.

1126W-08	\$313
----------	-------

**Scribe 14W**

**NEW!**

- Available in hickory and Red Oak. All other wood species are to be on a per quote basis.
- Molding is weathered.

14W-08	\$86
--------	------

**Crown 1529W**

**NEW!**

- Available in hickory and Red Oak. All other wood species are to be on a per quote basis.
- Please specify side A or B upon ordering.
- Molding is weathered.

1529W-08	\$180
----------	-------

**Batten 13W**

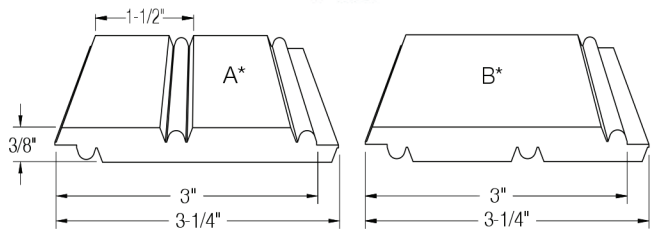
**NEW!**

- Available in hickory and Red Oak. All other wood species are to be on a per quote basis.
- Molding is weathered.

13W-08	\$86
--------	------

Beaded Panel B09W

**NEW!**



- Available in hickory and Red Oak. All other wood species are to be on a per quote basis.
- Please specify side A or B upon ordering.
- Molding is weathered.

	B09W-08	\$148
--	---------	-------



**Crown Large** CL

	CL-08	\$208
	CL-10	\$268

**Crown Small** SCM

	SCM-08	\$116
	SCM-10	\$137

**Crown 6497** 6497

	6497-08	\$167
	6497-10	\$211

**Crown Decorative Small Insert** SDC

	SDC-08	\$293
	SDC-10	\$385

**Crown Medium** CM

	CM-08	\$153
	CM-10	\$190

**Crown 6097** 6097

	6097-08	\$272
	6097-10	\$329

**? Did You Know?**

A heel may be added to any wood crown molding - Please add \$128.

Crown 3897		3897
3897-08		\$307
3897-10		\$350

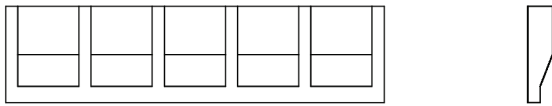
Crown Arts & Crafts		AC
AC-08		\$153
AC-10		\$190

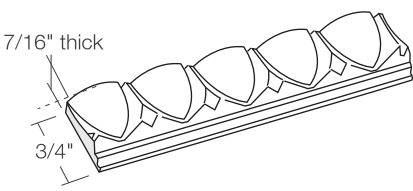
Frieze Mounting Plate		FMP
FMP-08		\$157
FMP-10		\$215

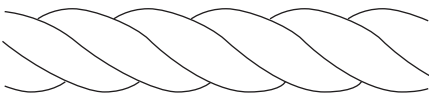
**? Did You Know?**

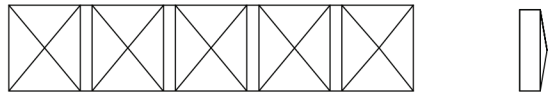
A heel may be added to any wood crown molding - Please add \$128.

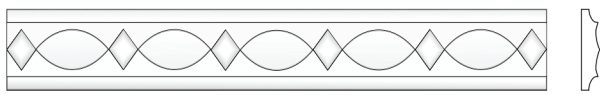
Frieze Plate Reversible		RFP
<ul style="list-style-type: none"> <li>Please specify side A or B upon ordering.</li> </ul>		
RFP-08		\$356
RFP-10		\$489

<b>Insert Dental</b>		<b>ID</b>
		
<ul style="list-style-type: none"> <li>• Profiles are 5/8" wide with 1/8" gaps between.</li> <li>• Available in Red Oak, Hard Maple, Red Birch and Cherry. All other wood species are available on a per quote basis.</li> </ul>		
ID-08		\$210

<b>Insert Egg &amp; Dart</b>		<b>IED</b>
		
<ul style="list-style-type: none"> <li>• Available in Hard Maple and Cherry. All other wood species are available on a per quote basis.</li> </ul>		
IED-08		\$215

<b>Insert Rope</b>		<b>IR</b>
		
<ul style="list-style-type: none"> <li>• Available in Red Oak, Hard Maple, Red Birch and Cherry. All other wood species are available on a per quote basis.</li> </ul>		
IR-08		\$199

<b>Insert Studded</b>		<b>IS</b>
		
<ul style="list-style-type: none"> <li>• Profiles are 5/8" wide with 1/8" gaps between.</li> <li>• Available in Hard Maple and Cherry. All other wood species are available on a per quote basis.</li> </ul>		
IS-08		\$268

<b>Insert Diamond &amp; Oval</b>		<b>NEW!</b>	<b>IDO</b>
			
<ul style="list-style-type: none"> <li>• Available in Hard Maple and Cherry. All other wood species are available on a per quote basis.</li> </ul>			
IDO-08			\$288

• Walnut moldings may require a 4-5 week lead-time for rush orders.

Base Board		BB
BB-08		\$181
BB-10		\$234

Matching Toe Kick		MTK
<ul style="list-style-type: none"> <li>• 3/16" Veneer Panel 96" Long x 4-1/2" Wide.</li> <li>• Available at 6" for unlevel floors.</li> </ul>		
8	MTK-08	\$70
	MTK-6 in High-08	\$70

Base Shoe		BS
BS-08		\$48
BS-10		\$62

Base Molding 5198		5198
5198-08		\$341
5198-10		\$391

• Walnut moldings may require a 4-5 week lead-time for rush orders.

Arts and Craft Light Bar		ACLB
<p>• L-149 lip on 3 long edges</p>		
ACLB-08		\$153

Beaded Trim Molding		BTM
BTM-08		\$262
BTM-10		\$359

H Light Bar		HLB
HLB-08		\$130
HLB-10		\$166

Small Light Bar		SLBM
SLBM-08		\$130
SLBM-10		\$166

Light Rail		LR
LR-08		\$173
LR-10		\$236

• Walnut moldings may require a 4-5 week lead-time for rush orders.

### Angled Corner Molding ACM

ACM-08	\$90
ACM-10	\$117

NEW!

### Ship Lap

SL4.75-08	\$250
SL4.75-10	\$312
SL06-08	\$317
SL06-10	\$473

### Batten BM

BM-08	\$73
BM-10	\$76

### Cove CV

CV-08	\$79
CV-10	\$100

### Beaded Wainscoat BW03

BW0336	\$68
BW0396	\$182

### Outside Corner OCM

OCM-03	\$39
OCM-08	\$57
OCM-10	\$78

Scribe Small		SM
SM-08		\$53
SM-10		\$71

Scribe Large		SML
SML-08		\$64
SML-10		\$82

Counter Edge Ogee		CEO
CEO-08		\$204
CEO-10		\$258

- Custom order moldings may require a 4-5 week lead-time.
- Add: \$128 to apply heel, If not butted to the lower part of crown when stood up please send drawing.

Crown Double Cove		CDC
CDC-08		\$391
CDC-10		\$463

Crown 51		51
51-08		\$324
51-10		\$380

Crown Decorative Insert		DC
DC-08		\$293
DC-10		\$385

Crown 86		86
<ul style="list-style-type: none"> <li>• Used at corners, particularly as a ceiling cornice. Small coves may be used as an inside corner guard.</li> </ul>		
86-08		\$258
86-10		\$293

Crown 115		115
115-08		\$346
115-10		\$402

Crown Mold Contemporary		CMC
CMC-08		\$303

Crown 1299		1299
1299-08		\$346
1299-10		\$402

Crown 48		48
48-08		\$365
48-10		\$432



<b>Crown 1797</b>		<b>1797</b>
1797-08		\$324
1797-10		\$380

<b>Crown 4195</b>		<b>4195</b>
4195-08		\$346
4195-10		\$402

<b>Crown 2298</b>		<b>2298</b>
2298-08		\$426
2298-10		\$505

<b>Crown 4699</b>		<b>4699</b>
		<ul style="list-style-type: none"> <li>Used at corners, particularly as a ceiling cornice.</li> </ul>
4699-08		\$360
4699-10		\$426

<b>Crown 2399</b>		<b>2399</b>
2399-08		\$505
2399-10		\$633

<b>Traditional Cove Crown</b>		<b>MLD-BT3</b>
MLD-BT3-08		\$1,631

<b>Crown 3099</b>		<b>3099</b>
3099-08		\$346
3099-10		\$402

<b>Crown Z</b>		<b>ZCL</b>
ZCL-08		\$415
ZCL-10		\$516

<b>Crown 4997</b>		<b>4997</b>
4997-08		\$499
4997-10		\$596

<b>Crown 2310</b>		<b>2310</b>
2310-08		\$294

<b>Crown 2293</b>		<b>2293</b>
2293-08		\$312

**? Did You Know?**

A heel may be added to any wood crown molding - Please add \$128.

<b>Crown ACC</b>		<b>ACC</b>
ACC-08		\$392
ACC-10		\$481

<b>Crown ACCS</b>		<b>ACCS</b>
ACCS-08		\$322
ACCS-10		\$358

<b>Crown 2325</b>		<b>2325</b>
2325-08		\$244

• Custom order moldings may require a 4-5 week lead-time.

Base Molding 293		293
	293-08	\$376
	293-10	\$442

Base Molding 4198		4198
	4198-08	\$365
	4198-10	\$432

Base Molding 618		618
	618-08	\$411
	618-10	\$487

Base Molding 9993		9993
	9993-08	\$402
	9993-10	\$426

Base Molding 623		623
	623-08	\$324
	623-10	\$380

Base Molding 635		635
	635-08	\$324
	635-10	\$380

• Custom order moldings may require a 4-5 week lead-time.

Light Rail Contemporary		CLB
CLB-08		\$197
CLB-10		\$220

Chair Rail 390A		390A
390A-08		\$288
390A-10		\$338

Light Bar Contemporary		LBC
LBC-08		\$266

Chair Rail 538		538
538-08		\$319
538-10		\$371

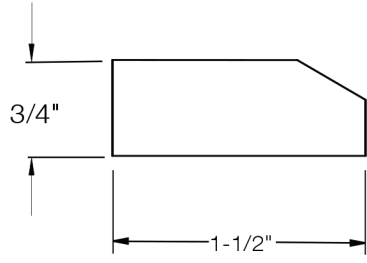
Light Bar		LBM
LBM-08		\$145

Chair Rail 3951		3951
3951-08		\$288
3951-10		\$338

Light Rail Canterbury		CLR
CLR-08		\$233
CLR-10		\$323

Shaker Coved Light Bar	<b>NEW!</b>	SCLB
SCLB-08		\$103

**NEW!**



BACLB-08

\$103

• Custom order moldings may require a 4-5 week lead-time.

Trim 105		105
105-08		\$174
105-10		\$197

Trim 316		316
316-08		\$288
316-10		\$338

Trim 108		108
108-08		\$165
108-10		\$179

Trim 320		320
320-08		\$319
320-10		\$371

Trim 133		133
133-08		\$258
133-10		\$293

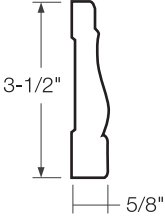
Trim 330S		330S
330S-08		\$288
330S-10		\$338

Trim 158		158
158-08		\$174
158-10		\$197

Trim 351		351
351-08		\$319
351-10		\$371

Trim 186		186
186-08		\$206
186-10		\$236

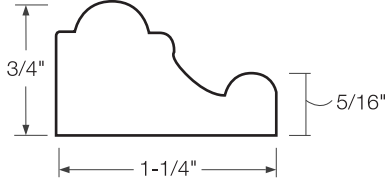
**Trim 444** **444**



3-1/2"  
5/8"

444-08	\$346
444-10	\$402

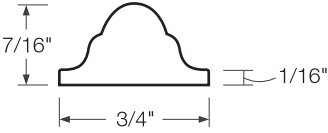
**Trim 3495** **3495**



3/4"  
1-1/4"  
5/16"

3495-08	\$226
3495-10	\$262

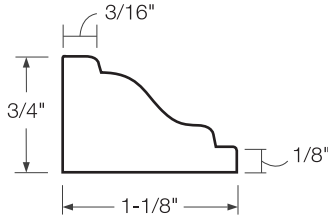
**Trim 550** **550**



7/16"  
3/4"  
1/16"

550-08	\$206
550-10	\$231

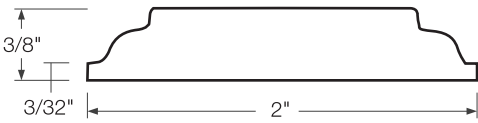
**Trim 3497** **3497**



3/16"  
3/4"  
1-1/8"  
1/8"

3497-08	\$226
3497-10	\$258

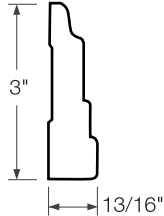
**Trim 977** **977**



3/8"  
3/32"  
2"

977-08	\$272
977-10	\$319

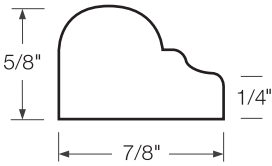
**Trim 3698** **3698**



3"  
13/16"

3698-08	\$319
3698-10	\$376

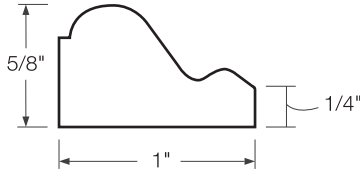
**Trim 1899** **1899**



5/8"  
7/8"  
1/4"

1899-08	\$206
1899-10	\$236

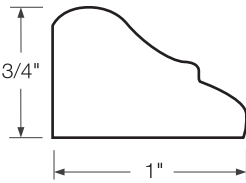
**Trim 4299** **4299**



5/8"  
1"  
1/4"

4299-08	\$206
4299-10	\$236

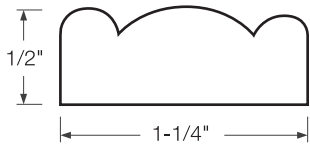
**Trim 2997** **2997**



3/4"  
1"

2997-08	\$206
2997-10	\$236

**Trim 5597** **5597**



1/2"  
1-1/4"

5597-08	\$226
5597-10	\$265

Trim 5795		5795
5795-08		\$206
5795-10		\$236

Trim 7195		7195
7195-08		\$174
7195-10		\$197

Trim Wainscote Cap		WCC
WCC-08		\$303
WCC-10		\$333

Trim 2317		2317
<ul style="list-style-type: none"> <li>Available in Red Oak, Cherry and Maple. Other species on a quote basis.</li> </ul>		
2317-08		\$108

Chautauqua Wainscoat		CW03
CW0336		\$121
CW0396		\$323



Stockholm Scribe		SSM
<p>2-7/8"</p> <p>SSM-08</p>		
SSM-08		\$116

Stockholm Batten		SBM
<p>3-1/2"</p> <p>3/4"</p> <p>SBM-08</p>		
SBM-08		\$123

Harmony Scribe		HSM
<p>3mm veneer</p> <p>2-1/2"</p> <p>HSM-08</p>		
HSM-08		\$116

Harmony Batten		HBM
<p>3-1/2"</p> <p>3/4"</p> <p>HBM-08</p>		
HBM-08		\$123

Cove Crown		RTF-CC
<ul style="list-style-type: none"> <li>• These Moldings are for the Modern Elegance door. Please see that door for colors.</li> </ul>		
RTF-COVE_CROWN-08		\$321
RTF-COVE_CROWN-08-GLOSS		\$417

Cove		RTF-Cove
<ul style="list-style-type: none"> <li>• These Moldings are for the Modern Elegance door. Please see that door for colors.</li> </ul>		
RTF-COVE-08		\$216
RTF-COVE-08-GLOSS		\$288

Shoe		RTF-Shoe
<ul style="list-style-type: none"> <li>• These Moldings are for the Modern Elegance door. Please see that door for colors.</li> </ul>		
RTF-SHOE-08		\$112
RTF-SHOE-08-GLOSS		\$178

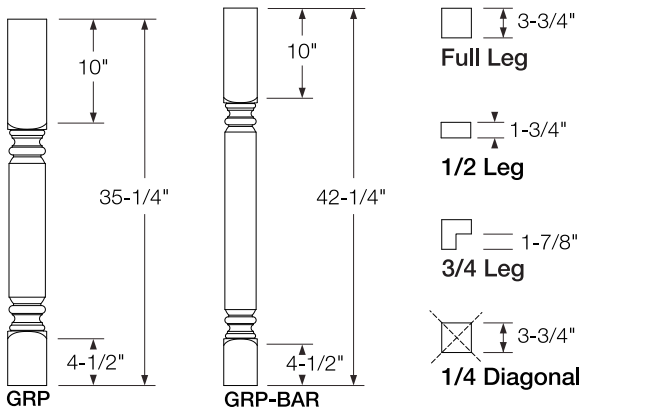
Batten		RTF-Batten
<ul style="list-style-type: none"> <li>• These Moldings are for the Modern Elegance door. Please see that door for colors.</li> </ul>		
RTF-BATTEN-08		\$124
RTF-BATTEN-08-GLOSS		\$200

Scribe		RTF-Scribe
<ul style="list-style-type: none"> <li>• These Moldings are for the Modern Elegance door. Please see that door for colors.</li> </ul>		
RTF-SCRIBE-08		\$112
RTF-SCRIBE-08-GLOSS		\$178

Outside Corner		RTF-OCM
<ul style="list-style-type: none"> <li>• These Moldings are for the Modern Elegance door. Please see that door for colors.</li> </ul>		
RTF-OCM-08		\$216
RTF-OCM-08-GLOSS		\$288

Soffit Trim Board		STB
<ul style="list-style-type: none"> <li>• These Moldings are for the Modern Elegance door. Please see that door for colors.</li> </ul>		
RTF-STB-08		\$130
RTF-STB-08-GLOSS		\$231

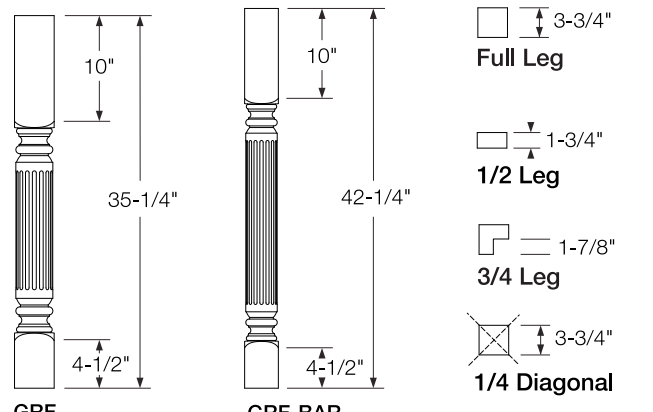
### Greco-Roman Plain GRP



- **See Specification: 3/4 Leg** (page 3.12)
- **See Specification: 1/4 Diagonal Leg** (page 3.13)
- Available in Paint Grade, Red Oak, Hard Maple and Cherry.
- Red Birch, White Oak, Hickory and Walnut add 40% and will add 2 weeks to the lead time.

GRP	\$571
GRP 1/2 LEG	\$342
GRP 1/4 DIA (4 pieces)	\$726
GRP 3/4 LEG	\$726
GRP-BAR	\$714
GRP-BAR 1/2 LEG	\$428
GRP-BAR 1/4 DIA (4 pieces)	\$867
GRP-BAR 3/4 LEG	\$867

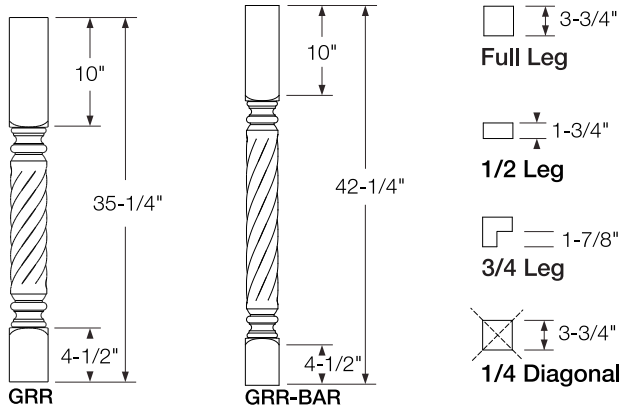
### Greco-Roman Fluted GRF



- **See Specification: 3/4 Leg** (page 3.12)
- **See Specification: 1/4 Diagonal Leg** (page 3.13)
- Available in Paint Grade, Red Oak, Hard Maple and Cherry.
- Red Birch, White Oak, Hickory and Walnut add 40% and will add 2 weeks to the lead time.

GRF	\$560
GRF 1/2 LEG	\$335
GRF 1/4 DIA (4 pieces)	\$712
GRF 3/4 LEG	\$712
GRF-BAR	\$699
GRF-BAR 1/2 LEG	\$420
GRF-BAR 1/4 DIA (4 pieces)	\$853
GRF-BAR 3/4 LEG	\$853

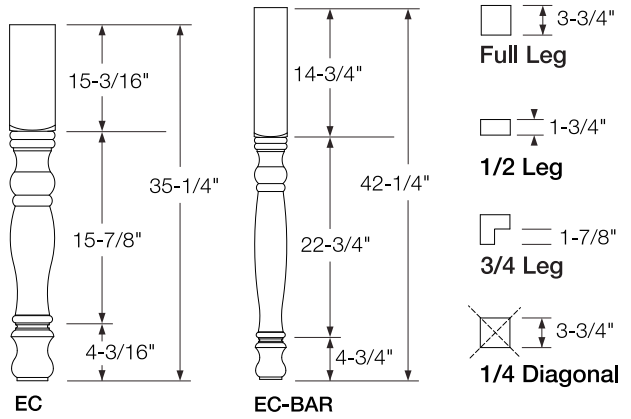
**Greco-Roman Rope GRR**



- See Specification: 3/4 Leg (page 3.12)
- See Specification: 1/4 Diagonal Leg (page 3.13)
- Available in Paint Grade, Red Oak, Hard Maple and Cherry.
- Red Birch, White Oak, Hickory and Walnut add 40% and will add 2 weeks to the lead time.

GRR	\$661
GRR 1/2 LEG	\$395
GRR 1/4 DIA (4 pieces)	\$815
GRR 3/4 LEG	\$815
GRR-BAR	\$827
GRR-BAR 1/2 LEG	\$495
GRR-BAR 1/4 DIA (4 pieces)	\$981
GRR-BAR 3/4 LEG	\$981

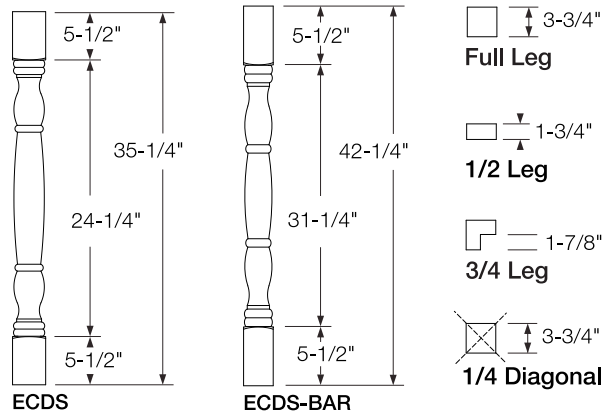
**English Country EC**



- See Specification: 3/4 Leg (page 3.12)
- See Specification: 1/4 Diagonal Leg (page 3.13)
- Available in Paint Grade, Red Oak, Hard Maple and Cherry.
- Red Birch, White Oak, Hickory and Walnut add 40% and will add 2 weeks to the lead time.

EC	\$573
EC 1/2 LEG	\$345
EC 1/4 DIA (4 pieces)	\$869
EC 3/4 LEG	\$869
EC-BAR	\$717
EC-BAR 1/2 LEG	\$430
EC-BAR 1/4 DIA (4 pieces)	\$869
EC-BAR 3/4 LEG	\$869

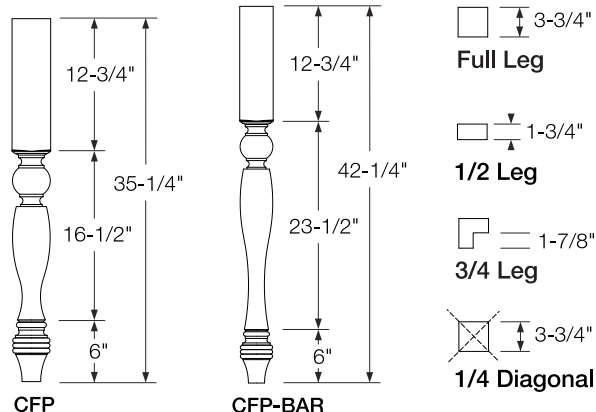
**English Country Double Square ECDS**



- See Specification: 3/4 Leg (page 3.12)
- See Specification: 1/4 Diagonal Leg (page 3.13)
- Available in Paint Grade, Red Oak, Hard Maple and Cherry.
- Red Birch, White Oak, Hickory and Walnut add 40% and will add 2 weeks to the lead time.

ECDS	\$500
ECDS 1/2 LEG	\$300
ECDS 1/4 DIA (4 pieces)	\$653
ECDS 3/4 LEG	\$653
ECDS-BAR	\$625
ECDS-BAR 1/2 LEG	\$375
ECDS-BAR 1/4 DIA (4 pieces)	\$779
ECDS-BAR 3/4 LEG	\$779

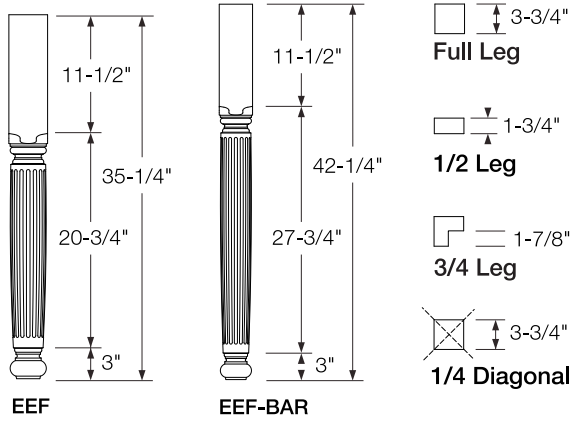
**Country French Plain CFP**



- See Specification: 3/4 Leg (page 3.12)
- See Specification: 1/4 Diagonal Leg (page 3.13)
- Available in Paint Grade, Red Oak, Hard Maple and Cherry.
- Red Birch, White Oak, Hickory and Walnut add 40% and will add 2 weeks to the lead time.

CFP	\$590
CFP 1/2 LEG	\$354
CFP 1/4 DIA (4 pieces)	\$743
CFP 3/4 LEG	\$743
CFP-BAR	\$736
CFP-BAR 1/2 LEG	\$441
CFP-BAR 1/4 DIA (4 pieces)	\$890
CFP-BAR 3/4 LEG	\$890

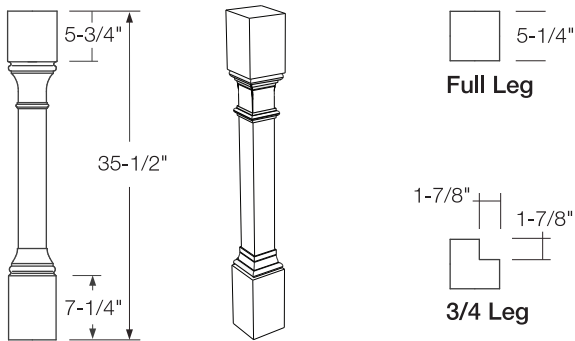
**English Estate Fluted EEF**



- See Specification: 3/4 Leg (page 3.12)
- See Specification: 1/4 Diagonal (page 3.13)
- Available in Paint Grade, Red Oak, Hard Maple and Cherry.
- Red Birch, White Oak, Hickory and Walnut add 40% and will add 2 weeks to the lead time.

EEF	\$642
EEF 1/4 DIA (4 pieces)	\$795
EEF 3/4 LEG	\$795
EEF-BAR	\$802
EEF-BAR 1/2 LEG	\$480
EEF-BAR 1/4 DIA (4 pieces)	\$955
EEF-BAR 3/4 LEG	\$955
EEF 1/2 LEG	\$385

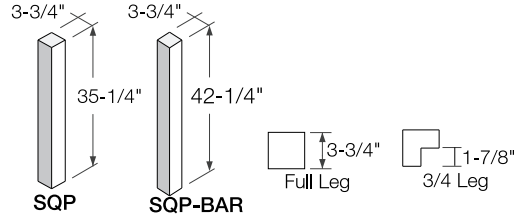
**Square Column Post SCP**



- See Specification: 3/4 Leg (page 3.12)
- Not available in Hickory, Quartersawn White Oak or Red Birch. Available in Alder as a substitute for Red Birch.

SCP LEG	\$1,707
SCP 3/4 LEG	\$1,963

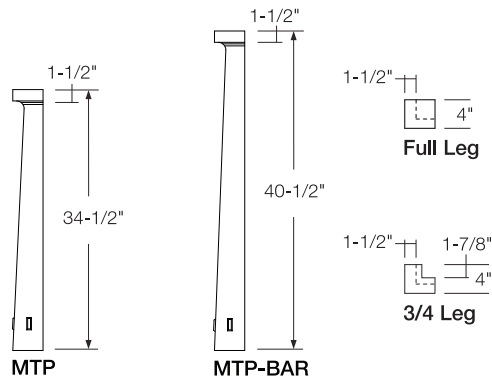
**Square Post SQP**



- See Specification: 3/4 Leg (page 3.12)
- Available in all wood species.

SQP	\$324
SQP 3/4 LEG	\$374
SQP-BAR	\$378
SQP-BAR 3/4 LEG	\$424

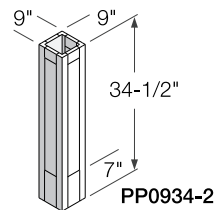
**Mission Taper Post MTP**



- See Specification: 3/4 Leg (page 3.12)
- Not available in Red Birch or Hickory.
- White Oak posts may appear slightly quartered on one face due to the taper.

MTP LEG	\$936
MTP 3/4 LEG	\$1,077
MTP BAR LEG	\$1,090
MTP BAR 3/4 LEG	\$1,253

**Pilaster Post PP**

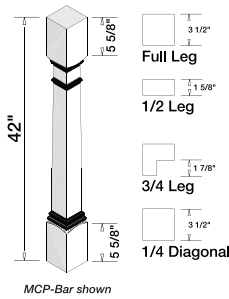


- Available in all wood species.
- Mortise and tenon door styles only.
- Finished on all 4 sides
- 1-1/2 stiles typical.
- The last digit is the number of door styles. The other faces are solid stock.
- Posts with two door styles - the door styles are adjacent.

PP0634-2	\$864
PP0634-3	\$1,107
PP0634-4	\$1,341

5	PP0934-2	\$959
	PP0934-3	\$1,187
	PP0934-4	\$1,559

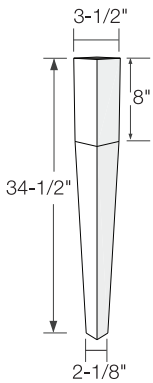
**Morris Column Post MCP**



- See Specification: 3/4 Leg (page 3.12)
- See Specification: 1/4 Diagonal Leg (page 3.13)
- Available in Walnut, Cherry, Alder ( substitute for Red Birch), Red Oak, Maple and White Oak. The White Oak is not quartered.

MCP	\$1,034
MCP 1/2 LEG	\$539
MCP 1/4 DIA (4 pieces)	\$1,186
MCP 3/4 LEG	\$1,186
MCP-BAR	\$1,295
MCP-BAR 1/2 LEG	\$802
MCP-BAR 1/4 DIA (4 pieces)	\$1,489
MCP-BAR 3/4 LEG	\$1,489

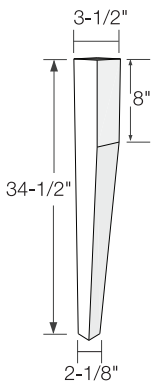
**Tapered 4 Sides TP4**



- Available in all wood species, add for wood and finish.

TP4	\$490
-----	-------

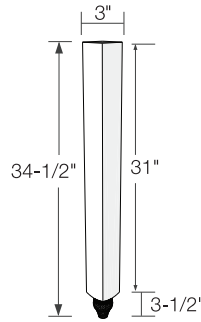
**Tapered 2 Sides TP2**



- Available in all wood species, add for wood and finish.

TP2	\$476
-----	-------

**Belford**



- Available in all wood species, add for wood and finish.

BFL	\$430
-----	-------

**Williamsburg** **MPKG-WI**

- Includes: HLB-08.
- Includes: SS0396.
- Includes: IED-08.
- Includes: ZCL-08 w/Heel Applied.

<b>MPKG-WI-08</b>	<b>\$944</b>
-------------------	--------------

**Prairie** **MPKG-PR**

- Includes: SS0396.
- Includes: FSM-08.
- Includes: FS-08.

<b>MPKG-PR-08</b>	<b>\$390</b>
-------------------	--------------

**Queen Ann** **MPKG-QA**

- Includes: CEO-08.
- Includes: SS0396.
- Includes: IED-08.
- Includes: SDC-08 w/ Heel Applied.
- Includes: ID-08.
- Includes: CEOM-08.

<b>MPKG-QA-08</b>	<b>\$1,438</b>
-------------------	----------------

**Arts & Crafts** **MPKG-AC**

- Includes: SML-08.
- Includes: AC-08 w/ Heel Applied.
- Includes: FS-08.

<b>MPKG-AC-08</b>	<b>\$448</b>
-------------------	--------------



**Settler** **MPKG-SE**

SCM-08  
(3-5/8" - 6-5/8")  
V96-OG  
Face Fr.  
2"  
Overall depth from face of frame

- Includes: SCM-08.
- Includes: V96-STR.

<b>MPKG-SE-08</b>	<b>\$487</b>
-------------------	--------------

**French Country** **MPKG-FC**

BB-08  
IR-08  
6097 Cove-08  
3-1/4"  
(5-1/8" - 6-3/8")  
(1" - 2-1/4")  
7/8"  
Face Fr.  
2-3/4"  
Overall depth from face of frame

- Includes: BB-08.
- Includes: IR-08.
- Includes: #6097-08 Cove.

<b>MPKG-FC-08</b>	<b>\$652</b>
-------------------	--------------

**Country Cottage** **MPKG-CC**

SCM-08  
CEO-08  
3"  
2-1/4"  
3/4"  
IDO-08  
Face Fr.  
2"  
Overall depth from face of frame

- Includes: SCM-08.
- Includes: CEO-08.
- Includes: IDO-08.

<b>MPKG-CC-08</b>	<b>\$608</b>
-------------------	--------------

**Gothic Chateau** **MPKG-GC**

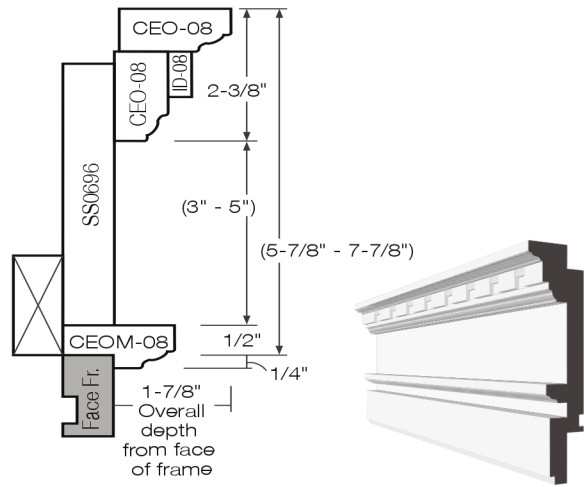
#4195-08  
CEO-08  
IDO-08  
5198-08  
4-1/4"  
(5-1/2" - 8")  
(1-1/4" - 3-3/4")  
Face Fr.  
4-1/8"  
Overall depth from face of frame

- Includes: #4195-08.
- Includes: CEO-08.
- Includes: IDO-08.
- Includes: #5198-08.

<b>MPKG-GC-08</b>	<b>\$1,179</b>
-------------------	----------------

Classical#1

MPKG-C1



- Includes: (2) CEO-08.
- Includes: ID-08.
- Includes: SS0696.
- Includes: GEOM-08.

MPKG-C1-08

\$1,152

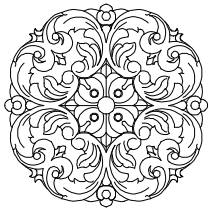


### Finishing Disclaimer

Due to the intricate design and detail of wood accents and ornaments, the level of sanding and appearance of finish may differ from Candlelight's standard product. Additionally these hardwoods are not acquired from the same areas as Candlelight's hardwoods; therefore they can vary in wood color and grain pattern. Variations in finished appearance between accents and Candlelight Cabinetry products will not be considered defective.

- 1) The prices listed on the following pages are Candlelight Cabinetry's list prices. Accent pieces are priced the same as all other Candlelight products. Appropriate wood species and finish charges must be added.
- 2) **Art For Everyday - All Candlelight Cabinetry wood species are available.** (See note below on Quarter-sawn White Oak.) Walnut, Hickory, White Oak and Red Birch may add 1 extra week to your lead time.
- 3) White Oak is available on all products. Please note that **accents in White Oak are not Quarter-sawn**, but provide a closer color resemblance to Quarter-sawn White Oak than Red Oak.
- 4) **Hafele Items – are available in Maple and Cherry only.** Maple will be used for Paint Grade.
- 5) Candlelight requires that all accent items be purchased through Candlelight Cabinetry. We will not accept products purchased by dealers from outside vendors and shipped to Candlelight to be finished with kitchen orders. Candlelight's purchase of accent items ensures that the products are received and are caught up to orders at the appropriate time during the production cycle.


**Circular Applique** APL-DRS



Item	W	H	D
3	13	13	7/8

APL-DRS3	\$2,492
----------	---------


**Acanthus Applique** AA



W	D	H
20	5/8	4-1/2

AA20	\$652
------	-------

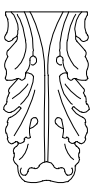
**AC Applique** APL-AC



Item	W	H	D
16	16	3-1/8	5/8
20	20	4-1/4	3/4
24	24	5-1/4	3/4
30	30	6	3/4
32	32	6-1/4	3/4
40	40	7-7/8	7/8

APL-AC16	\$534
APL-AC20	\$638
APL-AC24	\$909
APL-AC30	\$1,062
APL-AC32	\$1,142
APL-AC40	\$1,516


**Acanthus Medalion** APL-VA



Item	W	H	D
5	2-3/4	5	1/2
7	3-1/2	7	5/8
9	4-3/8	9	3/4

APL-VA5	\$259
APL-VA7	\$361
APL-VA9	\$505


**Acanthus Vertical Onlay** APL-VAC



Item	W	H	D
8	2-3/4	8	1/2
10	3-1/2	10-1/2	1/2
12	5	12-1/2	1/2
16	6	15-3/4	3/4

APL-VAC8	\$428
APL-VAC10	\$505
APL-VAC12	\$574
APL-VAC16	\$829

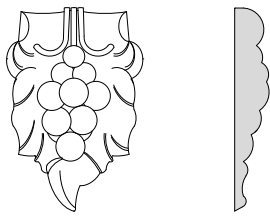
**Grape Applique** GA



W	D	H
20	5/8	4-1/2

GA20	\$652
------	-------


**Grape Small Ornament** SGO



W	D	H
2-15/16	5/8	3-1/2

SGO-02	\$147
--------	-------


**Grape Applique** APL-G



Item	W	H	D
20	20	4-1/2	3/4
24	24	5	3/4
32	32	6	7/8

APL-G20	\$611
APL-G24	\$896
APL-G32	\$1,039

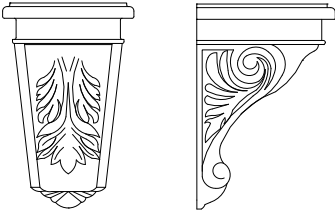
**Shell Applique** APL-SA



Item	W	H	D
20	20	4-1/2	3/4
24	24	5	3/4
32	32	6	7/8

APL-SA20	\$611
APL-SA24	\$829
APL-SA32	\$999

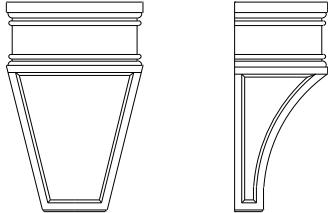
**Acanthus Small Corbel** SAC



W	D	H
5-3/4	6-1/16	9

SAC09 \$806

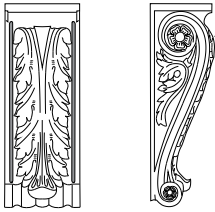
**Arts & Crafts Small Corbel** SAR



W	D	H
5-7/8	4	9

SAR09 \$809

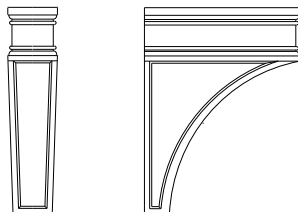
**Leaf XL Corbel** XLLC



Item	W	D	H
13	3	4-1/4	13-3/8
14	5	4-1/4	13-1/2

XLLC0313 \$942  
XLLC0514 \$1,039

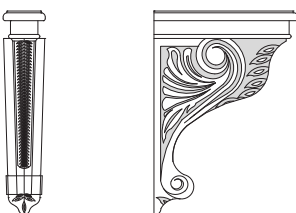
**Arts & Crafts Large Corbel** LAR



W	D	H
2-7/8	9	12

LAR13 \$1,041

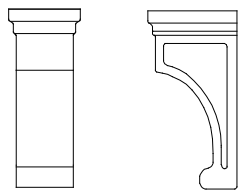
**Acanthus Large Corbel** LAC



W	D	H
2-7/8	9-3/16	13

LAC13 \$1,041

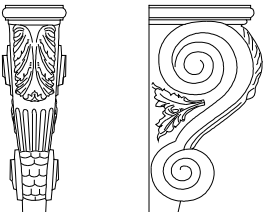
**Bracket Corbel** CBL-BR



Item	W	D	H
1	3-5/8	4-1/2	9
2	5-3/8	6-3/4	13-3/8
3	6-1/4	7-1/2	18

CBL-BR1 \$686  
CBL-BR2 \$999  
CBL-BR3 \$1,569

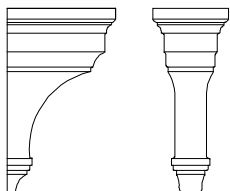
**Acanthus XL Corbel** XLAC



Item	W	D	H
12	3-3/4	6-1/4	12-1/8
14	4-1/4	7-5/8	14

XLAC0412 \$1,110  
XLAC0414 \$1,261

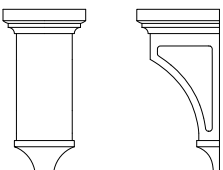
**New Bracket Corbel** CBL-NBR



Item	W	D	H
1	3-1/2	5	8-1/2
2	4-3/8	7-1/2	14

CBL-NBR1 \$646  
CBL-NBR2 \$1,249

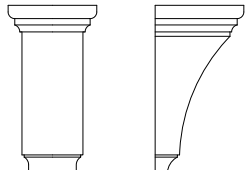
**Art Corbel** CBL-ART



Item	W	D	H
1	3-1/2	3-1/2	6
2	4	4	8
3	5	5	10
5	7	7	14

CBL-ART1 \$539  
CBL-ART2 \$651  
CBL-ART3 \$887  
CBL-ART5 \$1,488

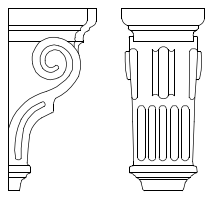
**Federal Corbel** CBL-FED



Item	W	D	H
2	4	4	8
3	5	5	10
5	6	6	13

CBL-FED2 \$593  
CBL-FED3 \$803  
CBL-FED5 \$1,221

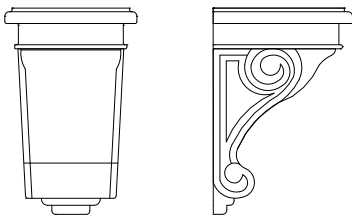
**Federal Fluted Corbel** **CBL-FF**



Item	W	D	H
1	4	4	8
2	5	5-1/4	11
3	5-3/4	6-1/4	14

CBL-FF1	\$712
CBL-FF2	\$1,074
CBL-FF3	\$1,569

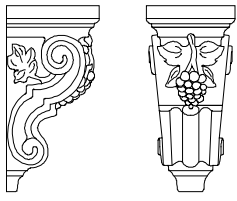
**Traditional Small Scroll Corbel** **SSC**



W	D	H
5-3/4	6-1/16	9

SSC09	\$768
-------	-------

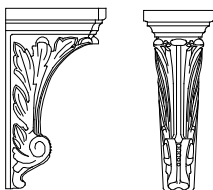
**Grape Corbel** **CBL-GR**



Item	W	D	H
1	4-3/4	5	10
2	5-1/2	7	14
3	7-1/4	8-3/4	26-1/2

CBL-GR1	\$1,142
CBL-GR2	\$1,608
CBL-GR3	\$4,623

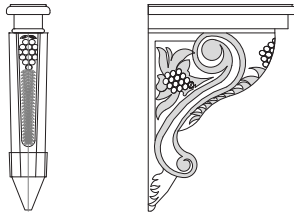
**Narrow Leaf Corbel** **CBL-NA**



Item	W	D	H
1	3-1/2	5	9
2	4-3/4	7-7/8	13-3/4
3	6-3/4	9	21-1/8

CBL-NA1	\$933
CBL-NA2	\$1,855
CBL-NA3	\$3,347

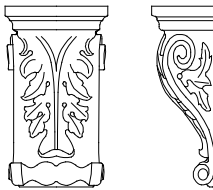
**Grape Large Corbel** **LGC**



W	D	H
2-3/8	9-3/16	12-3/4

LGC13	\$1,041
-------	---------

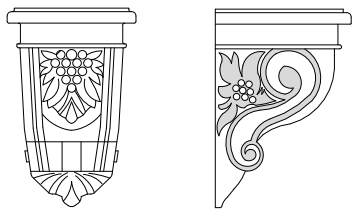
**Wide Leaf Corbel** **CBL-WA**



Item	W	D	H
2	5	3	8
3	6-7/8	4-1/4	12-1/8
4	7-5/8	7	15

CBL-WA2	\$712
CBL-WA3	\$1,142
CBL-WA4	\$1,921

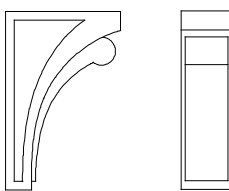
**Grape Small Corbel** **SGC**



W	D	H
5-3/4	6-1/16	8-7/8

SGC09	\$806
-------	-------

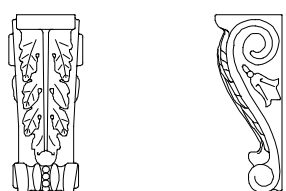
**Linea Corbel** **CBL-LIN**



Item	W	D	H
04	4	9	14

CBL-LIN04	\$1,146
-----------	---------

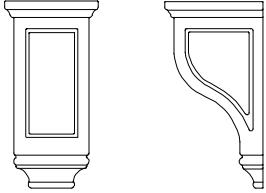
**Leaf Corbel** **CBL-NH**



Item	W	D	H
1	2-5/8	2-1/2	5-1/4
2	3-3/4	3-3/8	9

CBL-NH1	\$505
CBL-NH2	\$896

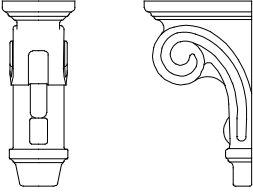
**PN Corbel** **CBL-PN**



Item	W	D	H
2	4-3/4	5	9-1/2
3	6-1/8	6-1/2	13-1/4
4	7-1/2	7-3/4	15-3/8
5	14	7-3/4	15-3/8

CBL-PN2	\$752
CBL-PN3	\$1,217
CBL-PN4	\$1,569
CBL-PN5	\$2,742

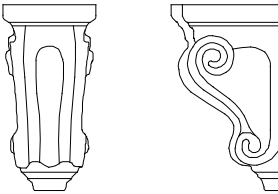
**TB Corbel** **CBL-TB**



Item	W	D	H
1	3-3/8	5	8-5/8
2	4-1/2	5-5/8	11-3/4
3	5-1/2	8-1/4	16
4	6-1/2	10	22

CBL-TB1	\$789
CBL-TB2	\$999
CBL-TB3	\$1,855
CBL-TB4	\$3,557

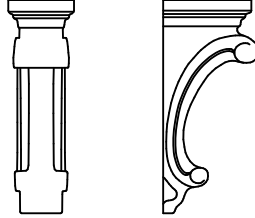
**Traditional Corbel** **CBL-TR**



Item	W	D	H
0	2-1/2	2-1/4	4-3/8
1	4	3	8-1/8
2	5-1/8	4	12-1/2
3	4-3/4	5-1/2	9-1/2
4	5-3/4	6-1/2	14-1/2

CBL-TR0	\$286
CBL-TR1	\$686
CBL-TR2	\$971
CBL-TR3	\$971
CBL-TR4	\$1,467

**Provincial Corbel** **CBL-PR**



Item	W	D	H
V2	2-1/2	6-1/8	8
V3	3-1/2	7-1/2	10
V4	3-1/2	8	11-7/8
S3	3	4-3/4	11
S5	4	6	14
W2	3-1/8	3-1/2	8
W3	4-1/2	4-3/4	11
V7	5	12	19

CBL-PRV2	\$716
CBL-PRV3	\$919
CBL-PRV4	\$1,024
CBL-PRS3	\$823
CBL-PRS5	\$1,090
CBL-PRW2	\$642
CBL-PRW3	\$868
CBL-PRV7	\$3,097

- See Worksheet for Wall/Base/Tall application and options.
- Available in Hard Maple, Cherry and Alder. Alder is used as a substitute for Red Birch.

<b>Plain Spindle</b>	<b>PS-08</b>
PS-08	\$352

<b>Fluted Spindle</b>	<b>FM-08</b>
FM-08	\$362

<b>Reeded Spindle</b>	<b>RM-08</b>
RM-08	\$362

<b>Rope Spindle</b>	<b>RPS-08</b>
RPS-08	\$576

<b>Spindle</b>	<b>Spindle A</b>
Spindle A	\$39

<b>End Blocks</b>	<b>End Blocks</b>
End Block	\$41

<b>Square Column Overlay Parts</b>	<b>SCO</b>
SCO - Top 1-3/4" thick	\$45
SCO - Bottom 1-3/4" thick	\$32
SCO-T2 Center is 2" wide solid stock	\$111
SCO-B2	\$116



- Bunn feet available in all wood species, add for wood and finish. Please note Rochelle wood limitations.
- Bunn feet to be field applied by dealer. Cabinets should be ordered with custom modification "No Toe", DTK delete toe kick.
- Specify PrepBF to have the corners blocked flush to receive the bunn foot.

<b>Apple Bunn</b>		<b>BF-A04</b>
<b>BF-A04</b>	<b>\$197</b>	

<b>Square Tulip Bunn</b>		<b>BF-STU04</b>
<b>BF-STU04</b>	<b>\$137</b>	

<b>Tulip Bunn</b>		<b>BF-TU04</b>
<b>BF-TU04</b>	<b>\$194</b>	

<b>Club Bunn</b>		<b>BF-C04</b>
<b>BF-C04</b>	<b>\$271</b>	

<b>Brunswick Bunn</b>		<b>BF-B04</b>
<b>BF-B04</b>	<b>\$190</b>	

<b>Georgia Bunn</b>		<b>BF-G04</b>
<b>BF-G04</b>	<b>\$153</b>	

<b>Square Apple Bunn</b>		<b>BF-SA04</b>
<b>BF-SA04</b>	<b>\$146</b>	

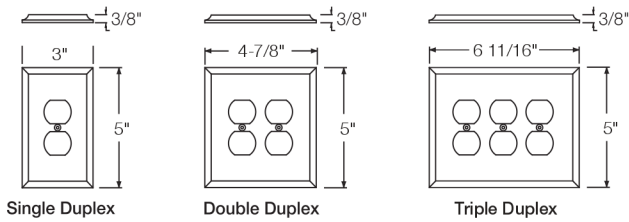
<b>Taper Bunn 4 side</b>		<b>BF-TA04</b>
<b>BF-TA04</b>	<b>\$191</b>	

Taper Bunn 2 side		BF-TA02
BF-TA02		\$142

Rochelle Feet		RF-P04
RF-P04(Pair)		\$259

Rochelle Corner Foot		RF-C04
RF-C04		\$218

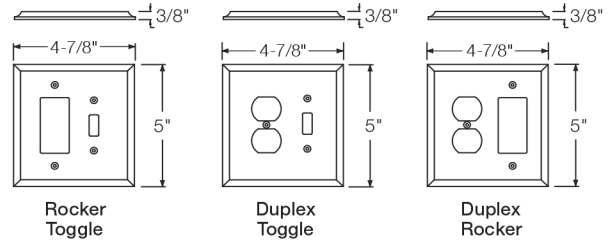
**Wood Duplex Covers Duplex**



• Available in all wood species except Rustic grade.

Outlet-SD	\$62
Outlet-DD	\$88
Outlet-TD	\$109

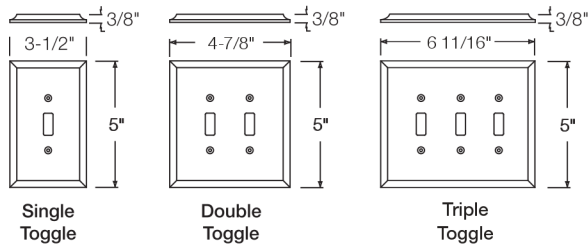
**Wood Combo Covers Combo**



• Available in all wood species except Rustic grade.

Outlet-SR-ST	\$88
Outlet-SD-ST	\$88
Outlet-SD-SR	\$88

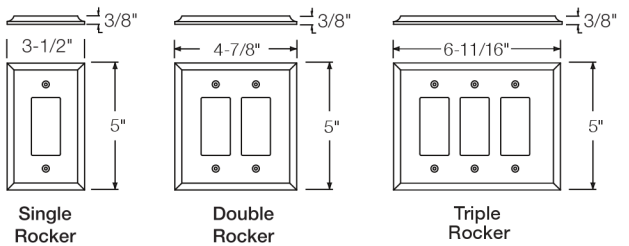
**Wood Toggle Covers Toggle**



• Available in all wood species except Rustic grade.

Outlet-ST	\$62
Outlet-DT	\$88
Outlet-TT	\$109

**Wood GFI/Rocker Covers GFI/Rocker**




• Available in all wood species except Rustic grade.

Outlet-SR	\$62
Outlet-DR	\$88
Outlet-TR	\$109



**Sales Aids & Loose Parts**

Box of Doors		15.6
Candlelight Furniture Polish	FP	15.1
Candlelight Paint	Paint	15.1
Candlelight Stain	Stain	15.1
Complete Sample Block Set	Sample	15.5
Construction Sample	Sample	15.5
Cup Hinge Restriction Clip	Cup Hinge	15.1
Door Drawer - Loose	LD	15.2
Drawer Box - Loose	Drawer	15.2
Drawer Tracks - Loose	Tracks	15.2
Drawer/ROT-SB	Chase	15.2
Frame Joint Sample	Sample	15.4
Gray Paint Fandex		15.5
Hinge - Loose	Hinge	15.1
Lazy Susan Spinner Sample	Sample	15.5
Literature	LIT	15.8
Loose Interior Shelf	Shelf	15.1
Marketing Goodies	Marketing	15.7
Modern Elegance Sample Box	Sample	15.5
Outlet / Switch Display Board	Sample	15.4
RTF Gloss Cleaning Kit	RTF-Care	15.3
RTF Molding Chain		15.5
Rev-A-Shelf	RS	15.2
Sample Door In-Stock	Sample	15.4
Sample Door Non-Stock	Sample	15.4
Sample Drawer Box w/Cut-out	Sample	15.4
Sample Mini Base Cabinet	Sample	15.4
Selection Center	Sample	15.4
Stock Molding Box	Sample	15.5
Touch-up Kit	TUK	15.1
White Paint Fandex		15.5


Candlelight Furniture Polish		FP
 <ul style="list-style-type: none"> <li>• Can be purchased individually or in cases up to quantity 24.</li> </ul>		
Furniture Polish 8oz.		\$26
Furniture Polish Case		\$582

Candlelight Stain		Stain
<ul style="list-style-type: none"> <li>• Gallons must be ordered in quart quantities.</li> <li>• Java on Hard Maple will consist of two-parts wiping stain to one-part wiping glaze. Please refer to application instructions included with stain. Products finished outside of the factory will not be covered under warranty.</li> <li>• Please note: Java, Merlot and Slate are two-part stain processes, therefore will receive two stain charges.</li> <li>• Java (on all species except Hard Maple) and Merlot will consist of two-parts NGR conditioner to one-part wiping stain (i.e., one quart of NGR to one pint of stain) NGR must be sprayed on product and not wiped.</li> <li>• Glaze material priced as Stain - "Will need a top coat to seal application."</li> </ul>		
Pint of Stain		\$47
Quart of Stain		\$67

Candlelight Paint		Paint
<ul style="list-style-type: none"> <li>• Antique material priced as Stain - "Will need a top coat to seal application."</li> <li>• Gallons must be ordered in quart quantities.</li> <li>• Additional HAZMAT fees apply to 3-Part mixes over 4 quarts. Please call for shipping quote on quantities over 4 quarts.</li> <li>• Paint is available in either a brush-on enamel (recommended for small touch up areas and is not meant to be sprayed) or a three-part spray mix (which will ship with a mixing schedule).</li> </ul>		
Pint of Paint		\$49
Quart of Paint		\$70

Touch-up Kit		TUK
<ul style="list-style-type: none"> <li>• A free touch up kit will be included in the customer care-kit on all orders. Includes crayon and marker.</li> <li>• Care-kit will include shelf pins, "Care and Use" manual and extra door bumpers.</li> </ul>		
Touch-up Kit		\$45

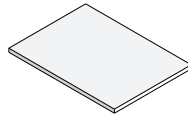
? Did You Know?



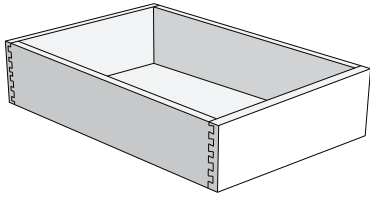
Candlelight has 8 Movable Displays for rent that are ideal for Home Shows. See the extranet for details.

Hinge - Loose		Hinge
<ul style="list-style-type: none"> <li>• Hinges are listed as per hinge so you must order two for a pair. We will provide all screws necessary for the hinge.</li> </ul>		
Hinge-1/2 Cup SC		\$16
Hinge-Euro FO SC		\$26
Hinge-FO Cup SC		\$16
Hinge-Full Inset Cup SC		\$26
Hinge-Inset-AE		\$13
Hinge-Inset-BZ		\$13
Hinge-Inset-CH		\$13
Hinge-Inset-DAE		\$13
Hinge-Inset-DORB		\$13
Hinge-Inset-NK		\$13
Hinge-Inset-ORBN		\$13
Hinge-Inset-WI		\$13
Hinge-YD4-AB		\$10
Hinge-YD4-NK		\$10
Hinge-YD6		\$10
Hinge-YD65		\$10

Cup Hinge Restriction Clip		Cup Hinge
<ul style="list-style-type: none"> <li>• Available for 1/2" Cup, Full Overlay, Euro Full Overlay and Inset Cup Hinges.</li> <li>• Available in bags of 50 with instructions.</li> <li>• Restricts the door swing to 86 degrees.</li> </ul>		
Restrict Clip-EuroFO & InsetCup		\$29
Restrict Clip-FO & 1/2"Cup		\$29

Loose Interior Shelf		Shelf
 <ul style="list-style-type: none"> <li>• Specify cabinet size (with modifications) or exact width and depth.</li> <li>• Standard wall shelf is 10-1/2" deep</li> <li>• Standard base shelf is 15-1/2" deep</li> <li>• Standard full depth shelf is 22-1/2" deep</li> <li>• Maximum shelf width is 48".</li> <li>• Remember to add for plywood charges</li> <li>• Shelves will ship with shelf pins</li> <li>• Shelf will be banded on the width edge. Please specify if other edges are needed.</li> </ul>		
Interior Base Shelf		\$82
Interior Wall Shelf		\$51
Interior FDS		\$107

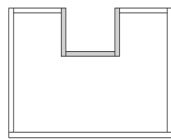
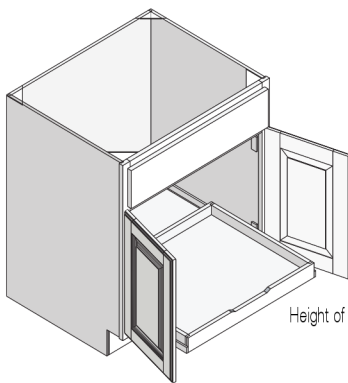
**Drawer Box - Loose** **Drawer**



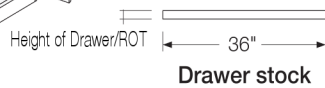
- Heights available in 1/2" increments only.
- Drawer will come notched for track and include clips for drawer track.
- Drawer box widths are 3-3/8 less than the cabinet width (3/8 from the opening), for example, a drawer for a 15" cabinet is 11-5/8" wide. The minimum width is 5-5/8."
- Standard drawer heights include 10-1/2, 7 and 4-1/2. Other heights include 2, 3-1/2, 5-1/2, and 9. Drawer track requires 3/4" minimum of space, for example, a 4-1/2"H drawer requires a 5-1/4"H opening.
- Drawer heights over 10-1/2 (maximum 13" ) is available by quote only.
- Standard drawer box depths are 10-1/4, 12, 15, 18, 21, 24 and 27. Add \$62 for the 24 and 27 depths. Drawer track sold separately.

Drawer 4-1/2 - 12/21	\$179
Drawer 4-1/2 - 24/27	\$187
Drawer 4-1/2 - 30/36	\$200
Drawer 7 - 12/21	\$218
Drawer 7 - 24/27	\$231
Drawer 7 - 30/36	\$248
Drawer 10-1/2 - 12/21	\$308
Drawer 10-1/2 - 24/27	\$329
Drawer 10-1/2 - 30/36	\$362

**Drawer/ROT-SB** **Chase**



Example in plan view



- Loose Drawer box back material to field cut pipe chases.

ROT-2.5-SB	\$54
ROT-4.5-SB	\$62
ROT-7-SB	\$72
ROT-10.5-SB	\$78

**Drawer Tracks - Loose** **Tracks**

- Blum Tracks are all full extension, with soft close.
- Blum Tracks ship with back brackets and screws.
- Blum Tracks 10-1/4, 24 and 27 need to be side mounted. Back brackets are not available at those lengths.
- Accuride tracks need to be side mounted

Blumotion FE Track 12cab-10-1/4box	\$155
Blumotion FE Track 15cab-12box	\$155
Blumotion FE Track 18cab-15box	\$155
Blumotion FE Track 21cab-18box	\$155
Blumotion FE Track 24cab-21box	\$155
Blumotion FE Track 27cab-24box	\$217
Blumotion FE Track 30cab-27box	\$217
Accuride Track-6"	\$136
Accuride Track-8"	\$136
Accuride Track-12"	\$136
Accuride Track-14"	\$136
Accuride Track-16"	\$136
Accuride Track-18"	\$136
Accuride Track-20"	\$136
Accuride Track-22"	\$136
Accuride Track-24"	\$136
Accuride Track-26"	\$136

**Door Drawer - Loose** **LD**

- Prices listed are per square foot.
- Add for door/hinge upcharge, 5pc drawer front up charge, wood and finish (see door price guide starting on page 7.9)
- Specify for hinge bores.
- Add for hinges if needed, sold separately. (See "Loose Hinge" in Sales Aids/Loose Parts section.)
- Please state the panel configuration on loose doors.

Drawer Front	\$71
Drawer Front 5pc	\$99
Door BaseStyle	\$106
Door WallStyle	\$106

**Rev-A-Shelf** **RS**



- Candlelight list prices are calculated by multiplying the Rev-A-Shelf suggested list price by 2.6.
- Candlelight will use the Rev-A-Shelf part number with a prefix of RS. For example, a 4ASR-15 will appear on your acknowledgment as RS4ASR-15.



RTF Gloss Cleaning Kit		RTF-Care
 <ul style="list-style-type: none"> <li>Recommended cleaning kit for Modern Elegance Gloss doors.</li> </ul>		
RTF-Gloss-Clean-Kit		\$211

**Design Notes**

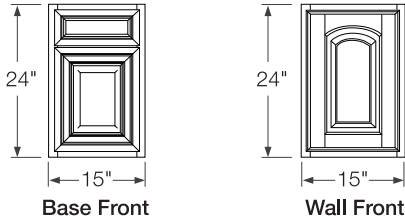
Rollout trays have 5/8" sides and backs. The width of the rollout is different for inset and overlay hinges. Inset hinges deduct 1-1/4" from each hinge side. Overlay hinges deduct 5/8" from each hinge side. From an unhinged side deduct 3/16". For example: Inset B24L, the rollout is  $24 - 3 - 1-1/4 - 3/16 = 19-9/16"$ . Inset BB24, the rollout is  $24 - 3 - 2*1-1/4 = 18-1/2"$ .

Sample Door In-Stock Sample

- Heirloom finishes not available. See Non-Stock samples.
- Allow 5 business days plus shipping.
- Option 1 - Door or drawer front will be a miscellaneous size. Stock varies- Call ahead for availability.
- All costs described below are list price and includes wood, finish and door premiums.

Sample Drawer Front-Option 1-STOCK	\$96
Sample Door-Option 1-STOCK	\$170
Sample Door-Option 2-STOCK	\$170
Sample Base Front-Option 3-STOCK	\$387

Sample Door Non-Stock Sample



- Frame will be 15" W x 24" H, it can be ordered as a sample wall or base w/ false drawer front.
- Concealed Inset and Euro FO fronts will be built as 6" deep cabinet boxes unless specified as Fixed Front
- All costs described are list price. Price includes wood, finish and door premiums.
- Allow 8 business days plus shipping.

Sample Drawer Front-Option 5	\$145
Sample Door-Option 4	\$218
Sample Base Front-Option 6	\$387
Sample Wall Front-Option 6	\$387

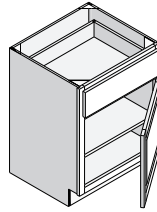
Sample Drawer Box w/Cut-out Sample



- All costs described are list price.

Sample Drawer Box w/ Cutout	\$134
-----------------------------	-------

Sample Mini Base Cabinet Sample



- Cabinet will be 12" wide x 24" high x 18" deep. Please add for finished ends, door styles, wood species and finish upcharges.
- All costs described are list price.

MB122418L	MB122418R	\$637
-----------	-----------	-------

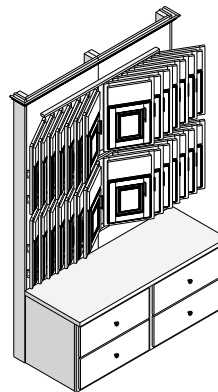
Outlet / Switch Display Board Sample



- Includes samples of available styles mounted on a door panel.

Outlet/Switch Plate Sample Board	\$378
----------------------------------	-------

Selection Center Sample



- Candlelight Topper included.
- Unit is 60" wide (doors extend 8" on each side), 25-1/2" deep and 93" high.
- The unit is free standing.
- Holds 28 base or wall sample fronts - mounting hardware included.
- **Sample fronts and counter top are not included in the price.**
- Price does not include door, wood or stain up charges.

Selection Center	\$3,379
------------------	---------

Frame Joint Sample Sample



Frame Joint Sample	\$12
--------------------	------

**?** Did You Know?



Candlelight has 8 Movable Displays for rent that are ideal for Home Shows. See the extranet for details.

Lazy Susan Spinner Sample Sample



- All costs described are list

Lazy Susan Sample	\$107
-------------------	-------

Complete Sample Block Set Sample



- Includes our 210 top selling, recommended finish combinations
- Ships in 2 dovetail drawer boxes w/ routed handles and labeled dividers

Loose Sample Block	\$6
Sample Block Set	\$482

Construction Sample Sample



- Cut-away sample shows construction assembly

Plywood Construction Sample	\$57
Plywood Sides Construction Sample	\$57
Standard Construction Sample	\$57

Stock Molding Box Sample



- Foam insert holds molding samples in place.

Stock Molding Box	\$215
-------------------	-------

White Paint Fandex



- Great tool to help sell painted cabinets
- 8 Shades of White

White Paint Fandex	\$67
--------------------	------

Gray Paint Fandex



- Great tool to help sell painted cabinets
- Contains 9 shades of gray paint and stain.

Gray Paint Fandex	\$67
-------------------	------

Modern Elegance Sample Box Sample



- Drawer box containing all 11 available colors.

Modern Elegance Color Block Set	\$482
---------------------------------	-------

RTF Molding Chain



- 7 RTF Moldings
- All in Oyster Bay

RTF Molding Chain	\$45
-------------------	------

**?** Did You Know?



Candlelight has 8 Movable Displays for rent that are ideal for Home Shows. See the extranet for details.

Quarter-sawn White Oak/Burnished/Sable/Mission

## Box of Doors



Door Style	Finish
Greenwich	Tranquil Taupe
Socialite	Creme Brulee
Amherst	Designer's White
Classic Square	Snowflake
Mission	White Pewter
Oxford	Aurora White
Elite Square	Flagstone
Shaker	English Linen
Chatham Shaker	Victorian White

- Comes with a dovetailed wood box with routed handles and (9) 13" x 16" sample doors.
- In stock.

Box of Doors

\$1,068

*Did You Know?*

Your acknowledgement is posted on the extranet in PDF format. Go to <http://extranet.candlelightcab.net> and click on the orders tab.



Cherry Log



Walnut Log



Graph Pad



Wood Species Signs, 5x7



Lead Time Sign



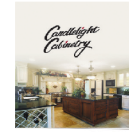
Mitered Door Joint Sample



Marketing Folder



Paint Finish Process Door



Presentation Folder



Sample Cabinet Front Case - Holds 5



Stain Finish Process Door



Cups & Lids



Tote Bag



Travel Mug



Window Decal



Tree Card Album



Tree Planting Sign, 8x10



TV Ad

Marketing Goodies	Marketing
Cherry Log Display	\$57
Walnut Log Display	\$57
Layout Graph Paper Pad	\$4
Wood Specie Sign	\$43
Lead Time Sign w/ Stand	\$39
Mitered Door Joint Sample	\$29
Marketing Folder(50)	\$303
Paint Finish Process Door	\$184
Presentation Folder(50)	\$303
Sample Cabinet Front Case	\$785
Stain Finish Process Door	\$190
Coffee Cups/Lids(1000/case)	\$290
Blue Tote Bag	\$43
Travel Mugs	\$37
Window Decal	\$17
Tree Card Album	\$52
Tree Planting Sign(8"x10")	\$52
TV Ad w/ Customized Tag	\$338

**? Did You Know?**



Candlelight has 8 Movable Displays for rent that are ideal for Home Shows. See the extranet for details.

Quarter-sawn White Oak/Burnished/Sable/Mission



Candlelight Brochure



Candlelight Brochure Stand



Custom Color Pamphlets & Stand



ESP/KCMA



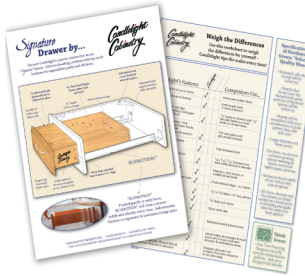
Discover the Difference Pamphlets & Stand



Molding Packages Pamphlets



Green Initiatives Brochure



Signature Drawer/Compare Candlelight




Vanity Literature

Literature LIT

- Literature is available only in the quantities listed in parenthesis after the product name

Candlelight Brochure(25)	\$165
Candlelight Brochure Stand	\$73
Custom Color Paint Pamphlets(100)	\$73
Custom Color Paint Stand	\$73
ESP/KCMA Pamphlets(50)	\$48
Discover The Dif Pmphlts(100)	\$73
Discover The Difference Stand	\$73
Molding Pamphlets(50)	\$48
Green Initiatives Brochure (25)	\$87
Sig Drwr/Compare Clight(50)	\$78
Vanity Literature(50)	\$96

**? Did You Know?**



Candlelight has 8 Movable Displays for rent that are ideal for Home Shows. See the extranet for details.

Quarter-sawn White Oak(Burnished/Sable/Mission)



**New Items + Newsletters**





