



Forevermark
cabinetry™



Spring 2019
DEALER CATALOG
www.forevermarkcabinetry.com

 TSG
The Shekja Group, llc

Dear Customer,

Thank you for choosing Forevermark Cabinetry, a brand and subsidiary of The Shekia Group, LLC ("TSG"). We are very proud of our products and know that you will be a valued member of our family. TSG stands behind our quality products and friendly service. We are looking forward to helping your business grow. Please feel free to contact our office directly for any questions you may have.

Sincerely,

Your Forevermark Cabinetry/TSG Team

Address & Phone Number:

1130 King Georges Post Road Edison, NJ, 08837

T (732) 372-7668

F (732) 372-7669

Email Us:

For orders: Orders@tsgcabinets.com

For claims: Claims@tsgcabinets.com

For billing: Billing@tsgcabinets.com

For shipping: Shipping@tsgcabinets.com

Hours of Operations:

Office: 8am - 5pm

Common Carriers/Ground Shipments: 8am - 5pm

Pick-up Orders: 10am - 3pm



OUR COMMITMENT TO QUALITY

EPA TSCA TITLE VI COMPLIANT

TSG is constantly striving to meet and surpass all requirements for high quality cabinetry. As such, Forevermark Cabinetry products meet the United States Environmental Protection Agency (EPA)'s current standards for compliance with TSCA Title VI. Labeling indicating compliance is on each box and product. EPA's TSCA Title VI, the Formaldehyde Standards for Composite Wood Products Act, establishes the world's most stringent formaldehyde emissions standards for composite wood products. For more information, please feel free to email tsg@tsgcabinets.com or visit www.epa.gov.



Kitchen Cabinet Manufacturers Association*

TSG is proud to offer assembled cabinets that are KCMA certified. KCMA certified cabinets are recognized in the marketplace as a quality product able to perform after a rigorous battery of tests simulating years of household use. For more information, please feel free to contact our offices or visit www.kcma.org.



National Kitchen & Bath Association

TSG is a member at the National Kitchen & Bath Association. Being part of this association keeps us informed with the latest news and developments in the industry. For more information, please feel free to contact our offices or visit www.nkba.org.



*Applicable to certain lines only, contact us for more information.

GREENGUARD GOLD CERTIFIED

from UL Environment

Forevermark Cabinetry is proud to further demonstrate our commitment to the well-being of our customers by offering select lines with UL Environment's GREENGUARD GOLD certification.

The GREENGUARD Certification Program (formerly known as GREENGUARD Indoor Air Quality Certification) gives assurance that products designed for use in indoor spaces meet strict chemical emissions limits, which contribute to the creation of healthier interiors. GREENGUARD Gold Certification (formerly known as GREENGUARD Children & Schools Certification) offers stricter certification criteria, considers safety factors to account for sensitive individuals (such as children and the elderly), and ensures that a product is acceptable for use in environments such as schools and healthcare facilities. It is referenced by both The Collaborative for High Performance Schools (CHPS) and the Leadership in Energy and Environmental Design (LEED) Building Rating System.

What is UL Environment, and what is the GREENGUARD Certification Program?

UL is a global independent safety science company with more than a century of expertise innovating safety solutions from the public adoption of electricity to new breakthroughs in sustainability, renewable energy and nanotechnology. GREENGUARD Certification is part of UL Environment, a business unit of UL (Underwriters Laboratories). GREENGUARD Certification helps manufacturers create—and helps buyers identify—interior products and materials that have low chemical emissions, improving the quality of the air in which the products are used.

GREENGUARD Certification standards have established performance-based standards to define products and processes with low chemical and particle emissions for use indoors. The standards establish certification procedures including test methods, allowable emission levels, product sample collection and handling, testing type and frequency as well as program application processes, toxicity limits and acceptance.

GREENGUARD Certification strives to protect human health and quality of life by establishing standards and certification programs to reduce exposure to chemicals and to improve indoor air quality. The GREENGUARD standards are among the most stringent indoor air quality standards in the world, and they are based on available standards and guidelines from national and international public health agencies.

What does GREENGUARD certification do?

Volatile organic compounds (VOCs) are chemicals that are released into the air from everyday furnishings, building materials and products—items like office furniture, flooring, wall coverings and cleaners. Once airborne, VOCs can easily be inhaled by building occupants and trigger a number of health problems.

The GREENGUARD Certification mark communicates that representative samples of a product have undergone rigorous scientific testing to meet some of the world's most stringent chemical emissions requirements. This certification helps reduce indoor air pollution and the potential for airborne chemical exposure.

The GREENGUARD Certification standard addresses the needs of the commercial building industry, focusing on products like building materials, seating, and systems furniture. This standard screens for more than 10,000 chemicals and places stringent limits on over 360 VOCs, including formaldehyde. All UL Environment's GREENGUARD standards also include a maximum allowable TVOC level, or "cap" on the level of all VOCs combined, to account for a product's total emissions.

GREENGUARD GOLD CERTIFIED CONTINUED...

How can GREENGUARD Certification help your business?

Demand for low-emitting products has increased significantly during the past decade. The GREENGUARD Certification program gives you the opportunity to appeal to this growing market by demonstrating that our products contribute to the health and well-being of building occupants.

What else can GREENGUARD Certification be used for?

GREENGUARD Certification is recognized and referenced in numerous building programs, standards and specifications around the world. Products with GREENGUARD Certification or GREENGUARD Gold Certification can contribute to the achievement of points in established green building rating systems, satisfy code or ordinance criteria and meet indoor air quality specific RFP requirements.

The scientific rigor of the GREENGUARD Certification program, combined with more than a decade of educational marketing and outreach initiatives, has made UL Environment's GREENGUARD mark the most recognized eco-label among architects and designers (second only to the Leadership in Energy and Environmental Design (LEED) Rating System). In fact, more than 460 sustainable codes, standards, specifications, and procurements guidelines documents—such as LEED®, Collaborative for High Performance Schools (CHPS), and the International Green Construction Code (IgCC)—recognize, recommend, or require the use of GREENGUARD Certified products.

This standard is designed to define low-emitting materials suitable for environments where people, particularly children and sensitive adults, spend extended periods of time, in particular schools and healthcare facilities.

The above information can be found on greenguard.org. For more consumer information, visit <http://greenguard.org/en/consumers.aspx>



Lines with GREENGUARD GOLD Certification: AW, AP, GW, SL, SB, AN, TG

WATERBORNE UV FINISHES

Forevermark Cabinetry features the use of waterborne UV finishes furnished by Sherwin-Williams on certain door styles.* The benefits of waterborne UV finishes include superior scratch resistance, low VOCs, finishes that are formaldehyde-hazard free, and reduction in environmental impact.

Forevermark Cabinetry is proud to offer products manufactured using Sherwin-Williams coatings as part of our goal to offer high performance products designed and manufactured taking steps to reduce environmental impact and meet or exceed the most stringent regulatory requirements.

You can be sure that the solutions you're choosing satisfy the highest standards for performance, while meeting or exceeding regulatory requirements. Which means you'll never have to choose between the best coatings for the environment and the best coatings for delivering a quality look that lasts.



*Waterborne UV finish: AW, SL, GW

*Waterborne UV finish by Sherwin-Williams®: AP, SB, AN, TG

FOREST STEWARDSHIP COUNCIL® CERTIFIED

Forevermark Cabinetry is proud to offer select products with raw materials that are Forest Stewardship Council® (FSC) certified through its supplier. The FSC® is an independent, non-profit organization that protects forests for future generations, and is the only system supported by groups such as WWF, Sierra Club, Greenpeace, Natural Resources Defense Council, and National Wildlife Federation. The FSC® protects water quality, prohibits highly hazardous chemicals, restricts deforestation, protects customary rights of indigenous people and local communities, prevents loss of natural forest cover, protects high conservation value forests, and limits clearcuts to protect forest ecology.

By purchasing a FSC-certified product, customers can ensure that their product is coming from responsibly managed sources.

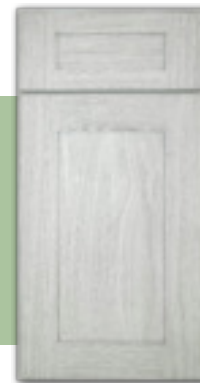


The mark of responsible forestry

NEW!

Eucalyptus Grandis is a consistent, premium hardwood material with the following benefits:

- **Durability - used often in high-end applications**
- **Sustainable & Eco-friendly**
- **High level of dimensional stability**
- **Exceptionally versatile**
- **Superior grain consistency**



AN



TG

* Applicable to Nova Light Grey Shaker (AN) and Midtown Grey (TG) (raw materials only)

INDEX

Ordering Details

Placing Orders	8
Samples/Display Policy & Delivery Information ...	9
Shipping and Warranty Information	10
Replacements & Returns	11

Terms & Conditions

Payment Information	12
Limited Warranty Information	14

Modifications & installations

Modifications	16
Installations	16

Accessories

Soft Close Drawer Tracks	17
Hinges	17
Shelves	17
Repair Kits and Stains	17
Molding Swatch.....	17
Bumpers	17
Shelf Clips.....	17

Cabinet Styles

Cabinet Lines - Door Styles.....	18
Cabinet Details	20

Pricing

Wall Cabinets.....	24
Starter Sets	27
Base Cabinets	28
Glass & End Decor Doors.....	34
Accessories.....	35
Special Cabinets	36

Panels.....	37
Trim Details (Pilaster, Valances, Moldings, etc) ...	38
Decor Legs & Pilasters	40
Wall & Base Fillers.....	41
Overlay Fillers	42
Corbels & Appliques	43
Vanities.....	44

Spec Sheets

Wall Cabinets.....	46
Base Cabinets	49
Wall Pantry & Oven Cabinets.....	52
Glass Doors.....	54
Range Hoods & Panels	56
Trim Details (Legs, Valances, Pilasters)	57
Trim Details (Scribes, Corbels, etc).....	60
Fillers	61
Vanities.....	62

Sample/Display Packages

Sample Packages	64
-----------------------	----

Order Forms

Silver (KC, KM, KE)	68
Gold Styles (KW, AK, AP, AW)	70
Platinum Styles (MR, SB, SL, GW, TW, TS, AG).....	72
Titanium Styles (AN, TG)	74
Return/Replacement Form	76
Notes	77

ORDERING DETAILS

Placing Orders

Please use the order forms in your catalogue to order Forevermark Cabinetry cabinets and products. This eliminates confusion and errors. 20/20 or ProKitchen files are also accepted. If you need a copy of order forms in .pdf or Excel, please contact us at tsg@tsgcabinets.com with your company name, and we will e-mail the files to you. If orders are not indicated assembled or RTA (k/d), they will be invoiced as k/d. Forevermark Cabinetry will not be responsible for orders not placed on our order forms, or for fax/ email transmission errors. Please submit all orders via fax to (732)372-7669 or via email to orders@tsgcabinets.com.

Design Programs

The Forevermark Cabinetry catalog is available on 20/20 and ProKitchen. Please note that these design programs are used as a reference and design tool. Actual cabinet specifications, design, and pricing may vary from how it appears in these programs. For actual pricing, please submit your order to our office for quotation. Forevermark Cabinetry is not responsible for pricing or specification variations in design programs.

Confirming Orders

Order confirmations are typically generated and faxed/e-mailed back to the dealer no later than 2-4 hours. If in this time frame you do not receive a quote from us, please call our offices. The order is pending and will not be processed **until the order is signed, and confirmed by the dealer**, and the confirmation is returned via e-mail or fax to us. Please feel free to indicate if you have any other preferences for ship date (i.e. "Ship 11/7", "Hold until further notice", or "Call to schedule delivery"). If no indication is made, shipments will be sent out according to our lead time. Additional charges apply for orders that are cancelled or revised after an order has been confirmed. A daily storage fee will apply for orders requested to be held after confirmed ship date.

Exceptional Lead Time

In most circumstances, once an order is confirmed, RTA orders leave our warehouse in 1-2 days from time of confirmation. Assembled orders leave the warehouse in 3-4 days from time of confirmation. This lead time applies to all shipments regardless of shipping method (truck, ground carrier, freight carrier, pickups, etc)

Modifications

Moderate modifications (see page 16) are available for an additional flat fee, fees vary and are subject to change depending on the modification. Modification is subject to availability, pending time restraints, may require additional lead time, and is subject to cancellation at any time. Please inquire with our office as to which modifications we can accommodate and pricing as it does vary (typically the increase/decrease of cabinet depth, excluding drawers, and installation of roll out trays). Modified items cannot be returned. TSG and Forevermark Cabinetry reserve the right to refuse any modification request for any reason.

Samples/Display Policy

Please refer to the Forevermark Cabinetry Samples/Displays pages to receive more information about ordering samples and displays. All previous display policies are discontinued and will not be honored. Display and sample policies are subject to change at any time.

Direct Deliveries

Due to our rapid lead-time, delivery schedules are not determined and finalized until the evening prior to the ship date. We make the fullest effort to contact all customers the evening before or morning of their deliveries with an expected delivery time - dealers are always welcome to call our offices the morning of their delivery for their anticipated delivery window. If we are unable to contact you or someone in your office regarding a shipment, the shipment may be postponed. * Shipments that are re-scheduled the day before delivery, may also incur a re-schedule fee. Note: Additional delivery charges may apply if a delivery is returned to us for any reason and must be rescheduled. Any scheduled delivery waiting in excess of 30 minutes at a stop will be rescheduled automatically.

Delivery Fees

Zone 1

Forevermark Cabinetry provides free shipping for all orders over \$700 within a 75 mile delivery range in NY, NJ, and parts of PA. Multiple orders can be combined to apply for waive of shipping fees. All orders under \$700 will be charged a \$55 surcharge.

Outside of Zone 1

We receive shipping quotes from various carriers to provide you with competitive rates for your area, either using our company trucks or common carriers. The shipping quote for all deliveries outside of our delivery zone will be included in your order confirmation. Alternatively, customers can choose to arrange their own freight (see "Common Carriers/Ground shipments").

Residential/Job Site deliveries within Zone 1

Residential or job site deliveries are available for an additional fee. This includes drop ship only. Inside deliveries may be performed at the discretion of the driver. Shipments that involve deliveries above the ground floor, regardless of elevators or walk-ups, or special circumstances may incur additional fees and must be made known to us at the time of order, or such accommodations cannot be made. Please note that drivers will not be responsible for disposing or removal of packing materials. TSG and Forevermark Cabinetry reserve the right to refuse any residential or multi-floor delivery request.

Dealer is responsible for remitting payment for all direct truck residential/job site delivery orders the business day before delivery.

ORDERING DETAILS (CONTINUED)

Common Carriers/Ground Shipments

It may be necessary at times to send products via outside carriers (i.e. Fed Ex, UPS, etc). A freight quote will be generated on all invoices. When this occurs, the dealer is responsible for remitting payment prior to shipping, either via check, wire transfer, or credit card. Damaged items for carrier shipments must be claimed within seven (7) days. Missing items must be noted on driver's proof of delivery in order for a claim to be processed and a form must be sent into Forevermark Cabinetry (see Replacements/Claims). Customers may arrange their own common carrier or ground shipments by noting accordingly at the time their order is placed. Once the order is ready, we will contact you to advise the shipment information for pick up. At this time, we do not offer expedited shipping services through our carriers and do not accept shipping labels or bills of lading with expedited services.

Pick Up Orders

Dealers may pick up at our TSG/Forevermark Cabinetry warehouse location at 1130 King Georges Post Road, Edison, NJ 08837. Please indicate on your order form if you intend to do so. Please adhere to our lead time for pickups. Pick up times are Monday-Friday, 10am-3pm. We allow tail-gate pickups, as well as personal vehicles. Customer is responsible for loading their own trucks or vehicles. TSG reserves the right to refuse pickups at TSG's discretion. TSG reserves the right to refuse to provide any orders that are not confirmed at least 1-2 days prior to pick-up, although we do make every effort to accommodate walk-in or same day requests.

Warranty Information

There is a **five year limited warranty** on factory defects for most door styles. All painted door styles have a two year limited warranty. Forevermark Cabinetry will replace the defective part(s) and ship it to you at our cost using the most appropriate shipping method.

Claims

When freight is delivered or picked up, please verify that your order is intact and correct BEFORE signing the driver's delivery slip. Any incorrect or missing items claims will NOT be honored once a delivery is signed for. If any items in the delivery appear to be damaged or missing, please note on the driver's delivery ticket and contact Forevermark Cabinetry immediately.

There are times when everything on a delivery looks fine, but when you open the box the item is damaged. **Please open all boxes within seven (7) days of delivery.** If you do not file a claim or submit a claim form in this time frame of seven (7) days, a claim cannot be filed and the item will not be replaced. Damaged item claims must be made prior to assembly and/or installation. Any damaged item that is installed or assembled will not be replaced.

Replacements

To request a replacement for damages or warranty, please **fill out the enclosed Forevermark Cabinetry replacement/return form** and fax to Forevermark Cabinetry at (732) 372-7669, or send via email to claims@tsgcabinets.com. Damaged items must be claimed within seven (7) days of delivery.

We may request that all damaged parts/products to be returned upon delivery of any replacement parts, or pictures of the damaged goods. If neither is received in 30 days from delivery of replacements, we will charge your dealer account for the price of replacements. Replacements will not be honored if the item being replaced has been installed or altered. (i.e. handles/holes drilled, etc) Replacements generally take 3-7 days for processing and shipping, but can vary based on part availability.

Please note that items damaged due to shipping and/or incorrect items can only be claimed up to 7 days after delivery date. Missing items must be noted upon delivery on driver's delivery slip(s). This includes and is not limited to shipping damages, dents, or scratches. TSG/Forevermark Cabinetry reserves the right to replace solely the damaged part on both RTA or assembled cabinets, not the cabinet in its entirety. Replacement items ship via LTL or ground carrier. Expedited replacement items or shipping arrangements cannot be accommodated. All damaged items must be submitted at one time. Otherwise, additional charges may occur. Some replacement parts are subject to availability, and may differ from those originally supplied. Replacements parts can only be shipped within 48 contiguous US states, otherwise dealer is responsible for shipping arrangements.

Returns

Cabinets can be accepted for return for up to **60 days after delivery date**. We can only accept RTA returns in good condition and original packaging. Assembled, modified or special order cabinets cannot be returned. RTA cabinets that are assembled cannot be returned. All returns are subject to inspection and a 25% restocking fee. Returns are accepted for credit only, and applicable credit will be applied to the dealer account. Credit cannot be given for product returned without the proper paperwork. Orders that are confirmed but are cancelled prior to delivery or refused upon delivery will also incur a restocking fee. Damaged goods or items can be returned in accordance with our normal return policies (customers are responsible for return freight and restocking fees).

To request a return, please fill out the enclosed replacement/return form and fax to Forevermark Cabinetry at (732) 372-7669, or send via email to claims@tsgcabinets.com.

Cabinet Construction

Forevermark Cabinetry is constructed from several pieces of solid wood and wood veneers on plywood. Differences in grain pattern and color should be expected. Color differences in wood are the result of variations in minerals found in the soil native to the tree's origin. Absorption of these minerals will vary by tree or parts of said tree. In addition, color changes can be experienced due to different exposure to light. All species of wood will display characteristics such as knots, pinholes, sap runs, mineral streaks, and darkening with age. It is the natural beauty of wood to exhibit these characteristics and they will be present throughout your cabinetry.

Cabinet Care

Kitchen cabinets should be dusted or cleaned periodically like any wood furniture.

- Clean all spills or water immediately – wood cabinets should be kept dry.
- Dust cabinets with a pre-moistened or damp cloth. Follow the grain of the wood when dusting – wiping across the grain can cause scratches.
- Use only clean soft cloths – do not use dishtowels as they can contain grease.
- Mild detergents and warm water or wood polishes can be used for cleaning cabinets. If using a furniture care product, use polish and avoid silicone or wax products. Dry immediately after cleaning.

TERMS & CONDITIONS

Payments

TSG/Forevermark Cabinetry accepts various forms of payment: cash, certified check, credit card, and wire transfer. **Forevermark Cabinetry reserves the right to request certified check for any order at any time.

Multipliers

1-99 cabinets multiplier: K/D(RTA) _____ ASSEMBLED _____

100-299 cabinets multiplier (single shipment/same style): _____

300+ cabinets multiplier (single shipment/same style): _____

Assembly Fee (where applicable): _____

Discounts

Please see your sales representative for details on discounts that are offered or promotions. (Note: these discounts are available on products only, not on service fees including assembly fees, freight, modification fees, parts, etc.) Your discount will typically be included in your invoice.

Handling Fees

In order to keep our prices competitive, all invoices are subject to a nominal 2% handling fee, which offsets the costs of handling, shipping, and materials.

Credit Accounts

Forevermark Cabinetry is not opening new credit accounts at this time. Please contact your sales representative for details.

Taxes and Exemptions

TSG requires resale certificates for all dealers in every state except New Jersey and New York. Dealers in NJ and NY will be exempt from tax upon remittance of a copy of their resale certificate, or be charged NJ tax. Resale certificates can be emailed to tsg@tsgcabinets.com or faxed to (732) 372-7669. Tax exemptions and compliance may change or vary by jurisdiction. TSG reserves the right to request or deny statements or documents in accordance with applicable laws.

Returned Checks

Forevermark Cabinetry will charge an \$85 returned check and service fee for all returned checks. In addition, any promotional discounts will be removed from the invoice and the dealer is responsible for paying the difference. Any returned checks must be paid in full before additional shipments can be processed. Forevermark Cabinetry reserves the right to request cash, credit card, or certified check payments for shipments from any dealer with multiple returned checks.

Overdue Accounts

Forevermark Cabinetry reserves the right to charge 3% late fee interest on the 1st of each month on all overdue accounts.

LIMITED WARRANTY INFORMATION

The Shekia Group, LLC d/b/a TSG, LLC ("TSG") warrants its Forevermark Cabinetry products to be free of manufacturer defects that are avoidable, and unnatural defects in material and workmanship under normal use, for five (5) years from the date of purchase by the original consumer purchaser (except for cabinets with painted finishes, which are limited to a two (2) year warranty). This limited liability warranty applies to residential use only at the original site of installation only. This limited liability warranty is non-transferable.

This limited liability warranty does not cover or apply to any defect that is not caused by TSG. This warranty does not cover or apply to products that have been misused; mishandled; abused; improperly stored or installed; modified; or subject to excesses of moisture or extreme temperatures, abrasive or citrus cleaning products, neglect, transit damage, assembly, disassembly, intentional damage, accidents, negligence, on-site alterations, improper storage, defective installation or normal wear and tear. Any modification to the hardware structure or finish of the original consumer purchaser's cabinetry by anyone other than those specifically authorized by TSG to do so shall void this limited liability warranty. The product must be used exclusively for its intended purpose in order to be covered by this limited liability warranty. This limited liability warranty shall become void if the cabinets or any components or parts thereof are in any way modified, improperly installed or damaged prior to or during installation, or installed or used in other than normal residential applications.

This limited liability warranty does not include or cover the cost of installation, removal, subsequent damage or transportation of the allegedly defective product, regardless of whether work was performed by a contractor, a service company or the original consumer purchaser. This limited liability warranty does not apply to any products used in conjunction with the cabinetry, including but not limited to countertops, appliances or plumbing fixtures. Use of cabinetry or any components or parts thereof in any way contrary to any instructions furnished by TSG shall void this limited liability warranty.

TSG's obligation under this limited liability warranty shall be limited to the repair or replacement, at its sole discretion, of any cabinetry or any components or parts thereof that TSG deems proven defective under normal use and service within the warranty period. This limited liability warranty is limited to the repair or replacement of the allegedly defective cabinetry or components or parts thereof, and does not include or cover any other costs, including but not limited to any costs of service, labor, shipment, transportation, removal or installation related to the repair or replacement.

Forevermark Cabinetry cabinets are constructed from several pieces of solid wood and wood veneers on plywood. Differences in grain pattern and color should be expected. Wood characteristics that naturally occur, such as variations in color, grain, mineral streaks and knots, are not considered defects. Color variations and color softening in cabinets are a natural occurrence due to species, age, character of cabinets and exposure to UV light and sunlight. For these reasons, replacement cabinets may not match display samples and/or the existing cabinets in the original consumer purchaser's home. Such variations and changes are not considered defects. This limited liability warranty applies only to defects, and does not apply to the yellowing and aging of any wood product. Forevermark Cabinetry products are wood products, and extreme conditions (high/low humidity, temperature, etc.) will cause any wood product to respond adversely. Accordingly, this limited liability warranty does not apply to cabinetry exposed to extreme conditions. Please note that newly produced cabinets will never be the same color as aged cabinets. TSG reserves the right to inspect any alleged defects in the field to determine if the product should be repaired in the field or in the factory, or replaced, if at all.

Mitered door joints in particular are likely to react to conditions of their environment. Gaps that may develop in door joints due to conditions of their environment are not included or covered by this limited liability warranty. This limited liability warranty does not cover or apply to hairline cracks of cabinetry; hairline cracks are unavoidable in wood cabinets given the nature of the material. Every species and grade of solid wood behaves in such a way as to eventually result in hairline cracks. Painted finishes react differently than stained finish with normal wood movement, and climatic conditions may result in breaks in finish, recesses and joint and panel lines. These conditions are considered a normal occurrence and are not included or covered by this limited liability warranty. Cabinet doors that are warped must be allowed to hang through one seasonal heating cycle (i.e., through a full summer) before replacement will be considered by TSG under this limited liability warranty. Doors that are warped in either direction not exceeding one-quarter inch (1/4") do not exceed normal material expectation and are not included or covered by this limited liability warranty.

TSG periodically makes changes to its product line and specifications. If a warranty claim is presented for a discontinued or unavailable cabinet or component or part thereof, TSG will replace the cabinet or component or part thereof under warranty with a new cabinet or component or part thereof of the same style or with a similar or comparable style currently offered by TSG. Some replacement cabinets and components and parts thereof are subject to availability, and may differ from those originally supplied. TSG is not responsible for replacement product that may not exactly match installed product, and is not obligated to inform original consumer purchasers of the discontinuance of or changes to product lines and specifications or to make similar changes in all products previously manufactured. Material changes are not a valid reason for an original consumer purchaser to refuse replacement under this limited liability warranty.

Warranty claims cannot be made directly to TSG by the original consumer purchaser. To submit a warranty claim, the original consumer purchaser must contact the dealer or distributor from whom the Forevermark Cabinetry products were purchased and report the nature of the alleged defect. The dealer or distributor will obtain the information necessary to make a claim decision, and forward such information in writing to TSG for TSG's consideration of the claim. If the dealer or distributor is no longer functioning as a business entity, please submit your claim in writing, with proof of purchase, to:

TSG / Forevermark Cabinetry, 1130 King Georges Post Road, Edison, NJ 08837

If a manufacturing defect occurs within this limited liability warranty's terms and conditions and TSG determines to replace the defective cabinet or component or part thereof, TSG will ship the replacement cabinet or component or part thereof to the original consumer purchaser via ground shipper or freight carrier, at TSG's sole discretion.

Please do not send the allegedly defective cabinet or component or part thereof to TSG, unless and until expressly requested to do so by our claims department. Pictures of cabinets or components or parts thereof may be requested by TSG. Making a fraudulent claim may be a crime, and violators may be prosecuted.

This limited liability warranty and its enforcement, and any and all claims or disputes arising out of, relating to or in connection with this limited liability warranty or the making, performance or interpretation of this limited liability warranty, shall be (1) governed by and construed exclusively in accordance with the laws of the State of New Jersey, without regard to the conflicts of law or choice of law principles of the State of New Jersey or any other jurisdiction (including but not limited to U.S. federal law) that would require the application of the law of any other jurisdiction, and (2) brought only in the United States District Court for the District of New Jersey or the New Jersey Superior Court, Middlesex County.

THIS WRITING IS THE COMPLETE AND EXCLUSIVE REMEDY FOR ANY ORIGINAL CONSUMER PURCHASER FOR BREACH OF WARRANTY. THE STATEMENT OF THE EXPRESS WARRANTIES PROVIDED HEREIN IS IN LIEU OF ANY AND ALL OTHER EXPRESS AND/OR STATUTORY WARRANTIES, TO THE EXTENT PROVIDED BY LAW. IN NO EVENT SHALL TSG BE LIABLE FOR INCIDENTAL OR CONSEQUENTIAL DAMAGES TO ANY ORIGINAL CONSUMER PURCHASER OR A THIRD PARTY, INCLUDING BUT NOT LIMITED TO DAMAGES ARISING FROM PERSONAL INJURY, LOST PROFITS, LOSS OF BUSINESS OPPORTUNITIES, LOSS OF PROPERTY, ECONOMIC LOSS, STATUTORY OR EXEMPLARY DAMAGES, WHETHER FROM NEGLIGENCE, WARRANTY, STRICT LIABILITY OR OTHERWISE. ANY AND ALL IMPLIED WARRANTIES OF MERCHANTABILITY, FITNESS FOR A PARTICULAR PURPOSE, COURSE OF DEALING AND USAGE OF TRADE, AND ANY AND ALL OTHER WARRANTIES, EXPRESS OR IMPLIED, ARE EXCLUDED AND DISCLAIMED, EXCEPTING ONLY THOSE EXPRESS WARRANTIES SPECIFICALLY SET FORTH IN THIS LIMITED LIABILITY WARRANTY. IN NO EVENT SHALL TSG BE LIABLE FOR ANY INDIRECT DAMAGES RESULTING FROM INSTALLATION, USE OR FAILURE OF ITS PRODUCTS. THIS LIMITED LIABILITY WARRANTY IS TSG'S SOLE WARRANTY, AND NO DEALER, DISTRIBUTOR OR AGENT POSSESSES ANY AUTHORITY WHATSOEVER TO MODIFY OR ENLARGE THIS WARRANTY IN ANY WAY.



1130 King Georges Post Road
Edison, NJ 08837
www.tsgcabinets.com

MODIFICATIONS & INSTALLATIONS

MODIFICATIONS

- Modifications sold assembled only and not available in K/D.
- Standard Base depth is 24"D.
- Standard Wall depth is 12"D.
- Base depth modification reduces the depth and removes the drawer unit. The drawer front is attached to the frame as a false drawer front.
- Base & drawer depth modification reduces the depth of both the base cabinet and drawer unit with working drawer glides. The back of the drawer unit will not be dovetailed.
- Base to microwave base modification uses a drawer base, removing the top 2 drawer units and adding a support shelf to create space for a microwave. Customers may choose to provide specifications on drawer size (top or bottom).
- Base to sink base modification removes the drawer unit and attaches the drawer front to the frame as a false drawer front.
- Base to sink base full height door(s) modification removes the drawer unit and frame and replaced with doors and frame that are the full height of the base cabinet. *Face frame and doors from the corresponding wall cabinet must be purchased separately.
- Peninsula modifications are created using 2 base cabinets or 2 wall cabinets. * 2 Base cabinets or 2 wall cabinets must be purchased separately. Shelving will be finished on one side only.
- Oven cabinet cutout modification customizes the cutout to fit most appliances. Option A - 1 cutout \$292. Option B - 2 cutouts \$371. Customers must provide cutout opening width(s) and height(s) upon ordering.
- Reduce depth modification to roll out trays reduces the depth to 15"D, 18"D or 21"D. The back of the drawer unit will not be dovetailed after modification.

	NET Cost
BASE DEPTH (DRAWER BOX NOT INCLUDED)	\$91
BASE & DRAWER DEPTH WITH DRAWER GLIDES	\$122
BASE TO MICROWAVE BASE	\$207
BASE TO SINK BASE	\$27
DRAWER BASE & 3 DRAWER DEPTH WITH DRAWER GLIDES	\$212
12" WALL DEPTH TO 15" DEPTH	\$117
12" WALL DEPTH TO 18" DEPTH	\$133
12" WALL DEPTH TO 24" DEPTH	\$154
BASE TO SINK BASE FULL HEIGHT DOORS*	\$80
PENINSULA*	\$292
REDUCE DEPTH MODIFICATION WALL PANTRY 15XX	\$165
REDUCE DEPTH MODIFICATION WALL PANTRY 18XX	\$165
REDUCE DEPTH MODIFICATION WALL PANTRY 24XXB	\$197
OVEN CABINET CUT OUT MODIFICATION (1 cutout)	\$292
OVEN CABINET CUT OUT MODIFICATION (2 cutouts)	\$371
REDUCE DEPTH MODIFICATION ROLL OUT TRAY TO 15"D, 18"D, or 21"D WITH DRAWER GLIDE	\$59

*TSG reserves the right to refuse modification requests at any time without notice; all modifications subject to availability and require additional lead time.

INSTALLATIONS – TCR21-2 (TRASH CAN ROLL OUT) & ROLL OUT TRAYS

- TCR21-2 fits B18 or B21 (sold separately)
- Roll out trays and cabinets (sold separately)
- Roll out trays installed upon request in assembled cabinets (installation is additional \$20 per tray)

	NET Cost
TCR21-2 INSTALLATION	\$38
ROLL OUT TRAYS INSTALLATION	\$20

ACCESSORIES



GLIDES – SOFT CLOSING DRAWER TRACKS

All lines except K-Series	NET Cost	FOR USE IN	ACTUAL SIZE
S50-9	\$19.50	9"W X 24"D Base	22-1/2"
S50-15	\$19.50	15"D Base	12-1/2"
S50-18	\$19.50	18"D Base	15-1/2"
S50-21	\$19.50	21"D Base	18-1/2"
S50-24	\$19.50	24"D Base	22-1/2"

K-Series Only	NET Cost	FOR USE IN	ACTUAL SIZE
J20-9	\$19.50	9"W X 24"D Base	21-1/2"
J20-15	\$19.50	15"D Base	12-1/2"
J20-18	\$19.50	18"D Base	15-1/2"
J20-21	\$19.50	21"D Base	18-1/2"
J20-24	\$19.50	24"D Base	22-1/2"

HINGES

	NET Cost
SOFT CLOSE HINGE	\$1.60
WDC SOFT CLOSE HINGE	\$1.60
BDCF36 SOFT CLOSE HINGE	\$1.60
LS/WSQ HINGE - DOOR TO DOOR	\$4.30
LS/WSQ HINGE - DOOR TO FRAME	\$4.30

SHELVES & SHELF CLIPS

	NET Cost
BASE & WALL SHELVES	\$37
WDC SHELVES	\$58.50
WALL PANTRY SHELVES	\$58.50
PLASTIC SHELF CLIPS	\$.15 EACH
METAL SHELF CLIPS	\$.22 EACH

REPAIR KITS & STAINS

	NET Cost
REPAIR KIT	\$11 (\$20 SL)
STAIN/SPRAY PAINT	\$21.50

MOLDING SWATCH

• Includes: SC1, SC4, SC5, SC6, SC8, LRM8, TLRM8, CM96, CM96-4, CM96B-4, CM96C-4, CM96E-4, CM96H-4, CM96K-4

	NET Cost
MOLDING SWATCH	\$50

BUMPERS

	NET Cost
BUMPER	\$.22 EACH

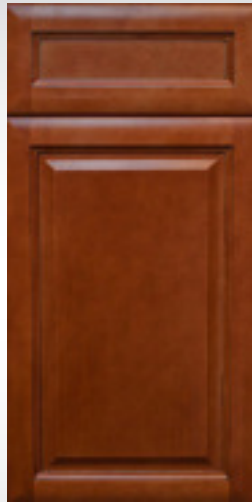
CABINET LINES – DOOR STYLES

K-SERIES COLLECTION



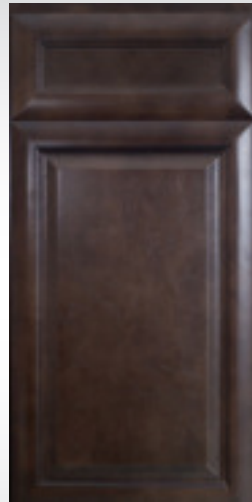
K-Cherry Glaze
(KC)

SILVER



K-Cinnamon Glaze
(KM)

SILVER



K-Espresso Glaze
(KE)

SILVER



K-WHITE
(KW)

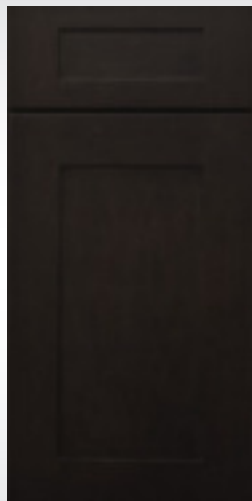
GOLD

SHAKER COLLECTION



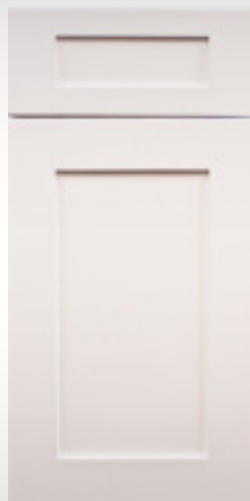
Shakertown
(AK)

GOLD



Pepper Shaker
(AP)

GOLD



Ice White Shaker
(AW)

GOLD



Greystone Shaker
(AG)

PLATINUM



Nova Light Grey Shaker
(AN)

TITANIUM



SIGNATURE COLLECTION



Signature Brownstone
(SB)

PLATINUM



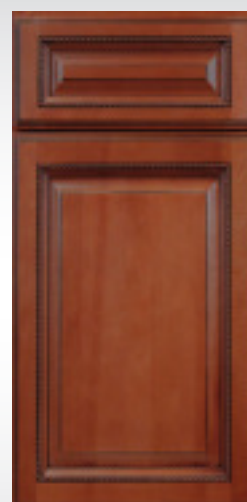
Signature Pearl
(SL)

PLATINUM



Gramercy White
(GW)

PLATINUM



Sienna Rope
(MR)

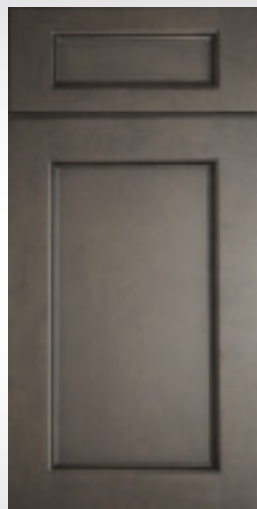
PLATINUM

TOWN COLLECTION NEW!



Uptown White
(TW)

PLATINUM



Townsquare Grey
(TS)

PLATINUM



Midtown Grey
(TG)

TITANIUM

CABINET DETAILS*

	SILVER			GOLD					
	KC	KM	KE	KW	AK	AP	AW		
Material	Solid Birch			Solid Birch			MDF		
Style	Full Overlay, butt door			Full Overlay, butt door					
Wall & Base	Raised Square (5pc recessed drawer header)			Raised Square (5pc recessed drawer header)	Recess Square				
Front Frame	3/4" Solid Birch			3/4" Solid Birch					
Door Frame	3/4" Solid Birch			3/4" Solid Birch			MDF		
Door Center	MDF with birch veneer			MDF	MDF with birch veneer		MDF		
Sides (Wall & Base)	1/2" A-Grade plywood with wood veneer			1/2" A-Grade plywood with wood veneer					
Top & Bottom (Wall)				1/2" A-Grade plywood with wood veneer			3/8" A-Grade plywood with wood veneer		
Bottom (Base)							1/2" A-Grade plywood with wood veneer	3/8" A-Grade plywood with wood veneer	
Cabinet Interior	Matches door color			Matches door color					
Back Panel	1/2" Picture Frame recess style			1/2" Picture Frame recess style					
Hinges	**Concealed 6-way adjustable soft close door hinges			**Concealed 6-way adjustable soft close door hinges					
Connectors	Pre-installed, color coated metal clip, won't tarnish			Pre-installed, color coated metal clip, won't tarnish					
Shelves	3/4" A-Grade plywood with wood veneer			3/4" A-Grade plywood with wood veneer					
Drawer box	Solid Wood 5/8" sides			Solid Wood 5/8" sides	Solid Wood 17mm (close to 3/4" T)				
	Drawer bottom 1/2" plywood			Drawer bottom 1/2" plywood	Drawer bottom 3/8" plywood				
	Drawer length 21"			Drawer length 21"					
	Dovetail Construction			Dovetail Construction					
	Natural Finish			Natural finish					
Drawer Glides	**Undermount, Full extension with soft closing feature			Undermount, Full extension with soft closing feature					
Base Corner Supports	Wood corner brackets			Wood corner brackets	Wood corner brackets, with wood I-beam construction				

Specifications and availability of items are subject to change without notice and TSG is not responsible for printing errors

* **No center stile on cabinetry 24" W to 36" W**

** **New incoming stock includes standard soft closing door hinges and soft closing glides. For an indeterminate transitional period, orders may include inventory with mixed specifications. Additional/replacement soft closing hinges will not be provided automatically, and are only available for purchase, upon request.**

*** **New incoming stock includes standard metal shelf clips. For an indeterminate transitional period, orders may include inventory with mixed specifications. Additional/replacement metal shelf clips will not be provided automatically, and are only available for purchase, upon request.**

	PLATINUM						TITANIUM		
	MR	SB	GW	SL	TW	TS	AG	AN	TG
Material	Solid Birch						Solid Eucalyptus Grandis		
Style	Full Overlay, butt door								
Wall & Base	Raised Square				Recessed Square				
Front Frame	3/4" Solid Birch						3/4" Solid Eucalyptus Grandis		
Door Frame	3/4" Solid Birch						3/4" Solid Eucalyptus Grandis		
Door Center	Solid Birch	MDF (to avoid expansion)			MDF with maple veneer		Solid Eucalyptus Grandis (Reversed Raised Door Panel)	Eucalyptus Grandis	
Sides (Wall & Base)	1/2" A-Grade plywood with wood veneer								
Top & Bottom (Wall)									
Bottom (Base)	3/8" A-Grade plywood with wood veneer								
Cabinet Interior	Matches door color								
Back Panel	1/2" Picture Frame recess style				WALL: 1/2" Picture Frame recess style BASE*: 1/2" FULL Back				
Hinges	**Concealed 6-way adjustable soft close door hinges								
Connectors	Pre-installed, color coated metal clip, won't tarnish								
Shelves	***3/4" A-Grade plywood with wood veneer (Townsquare Grey (TS) includes metal shelf clips. ALL NEW incoming stock for ALL other styles includes metal shelf clips.)								
Drawer box	Solid Wood 17mm (close to 3/4" T)								
	Drawer bottom 1/2" plywood								
	Drawer length 21"								
	Dovetail Construction								
	Natural finish								
Drawer Glides	Undermount, Full extension with soft closing feature								
Base Corner	Wood Corner brackets, with wood I-beam								

Specifications and availability of items are subject to change without notice and TSG is not responsible for printing errors

* Applicable to most Base sizes. Certain Bases may have picture frame recess style. For an indeterminate transitional period, orders may include inventory with mixed specifications.

** No center stile on cabinetry 24"W to 36"W

*** Metal clips will be included for TS line. **New incoming stock for all other styles includes metal shelf clips.** For an indeterminate transitional period, orders may include inventory with mixed specifications. Additional or replacement metal clips will not be provided in the event of a mixed shipment. Metal clips are available for purchase, upon request.

**** New incoming stock includes standard soft closing door hinges. For an indeterminate transitional period, orders may include inventory with mixed specifications. Additional/replacement soft closing hinges will not be provided automatically, and are only available for purchase, upon request.



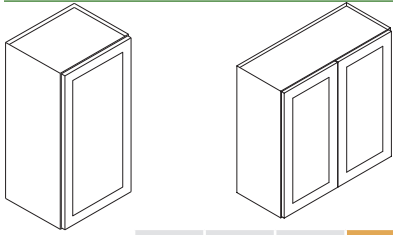


Forevermark
cabinetry™

PRICING

WALL CABINETS*

WALL CABINETS*

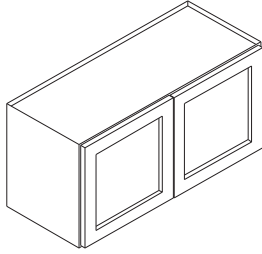


• 24"W - 36"W WxxxxB = "B" = 2 butt doors (double door cabinet)

	KC	KM	KE	KW	AK	AP	AW	MR	SB	SL	GW	TW	TS	AG	AN	TG
W0930	96	96	96	114	114	120	120	124	124	124	124	124	124	124	139	139
W1230	106	106	106	126	126	133	133	137	137	137	137	137	137	137	154	154
W1530	116	116	116	138	138	145	145	150	150	150	150	150	150	150	168	168
W1830	130	130	130	153	153	161	161	166	166	166	166	166	166	166	186	186
W2130	156	156	156	185	185	195	195	200	200	200	200	200	200	200	224	224
W2430B	167	167	167	198	198	208	208	215	215	215	215	215	215	215	241	241
W2730B	182	182	182	216	216	227	227	234	234	234	234	234	234	234	263	263
W3030B	188	188	188	223	223	235	235	242	242	242	242	242	242	242	272	272
W3330B	202	202	202	240	240	253	253	260	260	260	260	260	260	260	292	292
W3630B	216	216	216	256	256	269	269	278	278	278	278	278	278	278	312	312
W4230	-	-	-	-	-	-	-	-	-	-	-	-	-	-	-	-
W4830B-3	-	-	-	-	-	-	-	-	-	-	-	-	-	-	-	-
W6030-OPEN	324	324	-	-	-	-	-	-	-	-	-	-	-	-	-	-
W0936	121	121	121	144	144	152	152	157	157	157	157	157	157	157	176	176
W1236	129	129	129	153	153	161	161	166	166	166	166	166	166	166	186	186
W1536	140	140	140	166	166	175	175	180	180	180	180	180	180	180	202	202
W1836	156	156	156	185	185	195	195	200	200	200	200	200	200	200	224	224
W2136	187	187	187	221	221	233	233	239	239	239	239	239	239	239	268	268
W2436B	199	199	199	236	236	248	248	256	256	256	256	256	256	256	287	287
W2736B	225	225	225	267	267	281	281	290	290	290	290	290	290	290	325	325
W3036B	244	244	244	289	289	304	304	313	313	313	313	313	313	313	351	351
W3336B	259	259	259	307	307	323	323	333	333	333	333	333	333	333	373	373
W3636B	270	270	270	321	321	338	338	348	348	348	348	348	348	348	390	390
W0942	135	135	135	160	160	169	169	173	173	173	173	173	173	173	194	194
W1242	143	143	143	169	169	178	178	183	183	183	183	183	183	183	205	205
W1542	155	155	155	184	184	194	194	199	199	199	199	199	199	199	223	223
W1842	171	171	171	203	203	214	214	221	221	221	221	221	221	221	248	248
W2142	207	207	207	245	245	258	258	266	266	266	266	266	266	266	298	298
W2442B	222	222	222	264	264	278	278	286	286	286	286	286	286	286	321	321
W2742B	259	259	259	308	308	324	324	334	334	334	334	334	334	334	375	375
W3042B	288	288	288	341	341	359	359	370	370	370	370	370	370	370	415	415
W3342B	303	303	303	360	360	379	379	390	390	390	390	390	390	390	437	437
W3642B	323	323	323	383	383	403	403	416	416	416	416	416	416	416	466	466
W3012B	108	108	108	128	128	135	135	139	139	139	139	139	139	139	156	156
W3312B	-	-	-	-	-	-	144	-	-	149	149	149	149	149	166	166
W3612B	121	121	121	144	144	152	152	156	156	156	156	156	156	156	175	175
W361224B	166	166	166	195	195	205	205	211	211	211	211	211	211	211	237	237
W2415B	-	-	-	128	128	136	136	139	139	139	139	139	139	139	156	156
W3015B	121	121	121	144	144	152	152	156	156	156	156	156	156	156	175	175
W301524B	164	164	164	195	195	205	205	212	212	212	212	212	212	212	238	238
W3315B	131	131	131	156	156	164	164	169	169	169	169	169	169	169	190	190
W331524B	173	173	173	206	-	216	216	-	223	223	223	223	223	223	250	250
W3615B	134	134	134	159	159	167	167	172	172	172	172	172	172	172	193	193
W361524B	182	182	182	216	216	227	227	234	234	234	234	234	234	234	263	263

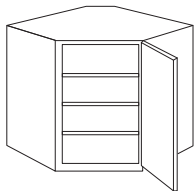
* B = butt door

WALL CABINETS*



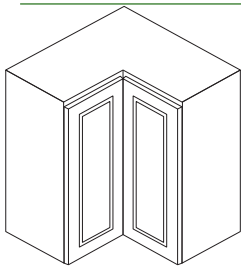
	KC	KM	KE	KW	AK	AP	AW	MR	SB	SL	GW	TW	TS	AG	AN	TG
W2418B	116	116	116	138	138	145	145	150	150	150	150	150	150	150	168	168
W3018B	134	134	134	159	159	167	167	172	172	172	172	172	172	172	193	193
W301824B	210	210	210	240	-	252	252	260	260	260	260	260	260	260	292	292
W3318B	143	143	143	169	169	178	178	183	183	183	183	183	183	183	205	205
W331824B	213	213	213	243	-	255	255	-	263	263	263	263	263	263	295	295
W3618B	152	152	152	180	180	190	190	195	195	195	195	195	195	195	219	219
W361824B	216	216	216	245	245	258	258	266	266	266	266	266	266	266	298	298
W2424B	149	149	149	177	177	186	186	192	192	192	192	192	192	192	216	216
W3024B	168	168	168	199	199	209	209	216	216	216	216	216	216	216	242	242
W302424B	198	198	198	235	235	247	247	255	255	255	255	255	255	255	286	286
W3324B	180	180	180	213	213	224	224	231	231	231	231	231	231	231	259	259
W332424B	-	-	-	250	-	263	263	-	-	272	272	272	272	272	305	305
W3624B	192	192	192	228	228	240	240	247	247	247	247	247	247	247	277	277
W362424B	223	223	223	265	265	279	279	288	288	288	288	288	288	288	323	323

WALL DIAGONAL CORNER



	KC	KM	KE	KW	AK	AP	AW	MR	SB	SL	GW	TW	TS	AG	AN	TG
WDC2430	240	240	240	285	285	300	300	309	309	309	309	309	309	309	347	347
WDC2436	302	302	302	357	357	375	375	387	387	387	387	387	387	387	434	434
WDC2442	319	319	319	379	379	398	398	411	411	411	411	411	411	411	461	461
WDC273615	-	-	-	551	-	580	580	585	585	585	585	585	585	585	656	656
WDC274215	-	-	-	661	-	695	695	700	700	700	700	700	700	700	784	784

WALL CORNER CABINET

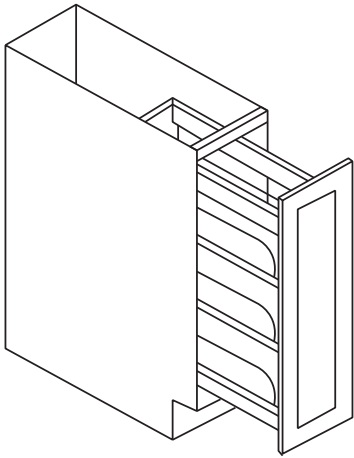


• Door is not soft closing (Bi-fold door)

	KC	KM	KE	KW	AK	AP	AW	MR	SB	SL	GW	TW	TS	AG	AN	TG
WSQ2430	-	-	-	452	-	475	475	-	475	475	475	475	475	475	532	532
WSQ2436	-	-	-	542	-	570	570	-	570	570	570	570	570	570	639	639
WSQ2442	-	-	-	650	-	684	684	-	684	684	684	684	684	684	767	767

WALL CABINETS (CONT.)

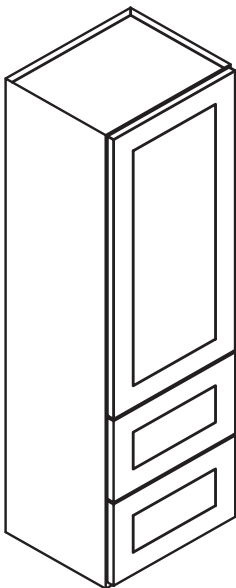
BASE - PULL OUT - WITH SPICE RACK



- Pull out door panel will match door style
- Side Mount Full Extension Drawer Track (not soft closing)
- Unit is pre-assembled
- Includes cabinet and spice rack insert (2 middle racks are adjustable)

	KC	KM	KE	KW	AK	AP	AW	MR	SB	SL	GW	TW	TS	AG	AN	TG
BFP09	-	-	-	-	465	489	489	496	496	496	496	496	496	496	556	556

WALL CABINET - WITH 2 BUILT-IN DRAWERS



- Drawers are not soft-closing
- Glass doors are available for this unit W18XXGD (Please see pg. 32)

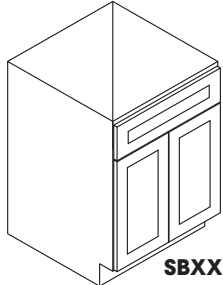
	KC	KM	KE	KW	AK	AP	AW	MR	SB	SL	GW	TW	TS	AG	AN	TG
W2D1848	-	-	-	-	-	-	376	-	-	376	376	376	376	376	422	422
W2D1854	-	-	-	-	-	-	439	-	-	439	439	439	439	439	492	492
W2D1860	-	-	-	-	-	-	501	-	-	501	501	501	501	501	562	562



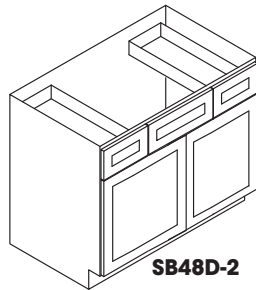
WALL CABINETS (CONT.)

SINK BASE AND STARTER SETS*

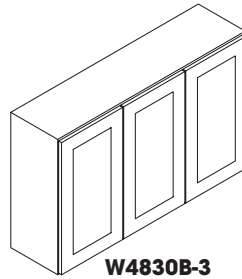
Forevermark
cabinetry™



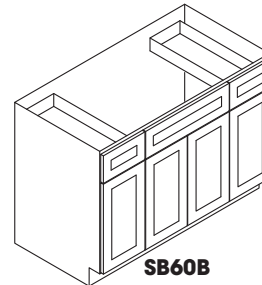
SBXX



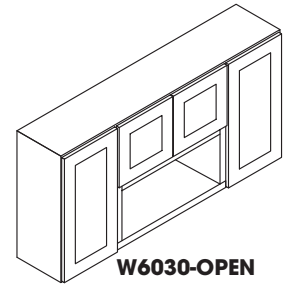
SB48D-2



W4830B-3



SB60B



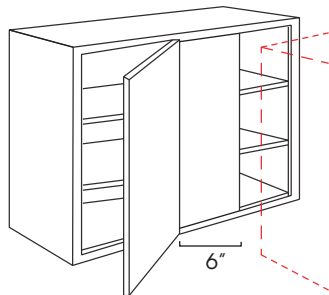
W6030-OPEN

• SB48 and SB60 include dividers

	KC	KM	KE	KW	AK	AP	AW	MR	SB	SL	GW	TW	TS	AG	AN	TG
SB24	225	225	-	267	267	281	281	289	-	289	289	289	289	289	324	324
SB27B	236	236	236	280	280	295	295	303	303	303	303	303	303	303	340	340
SB30B*	244	244	244	290	290	305	305	314	314	314	314	314	314	314	352	352
SB33B	253	253	253	300	300	316	316	326	326	326	326	326	326	326	366	366
SB36B	263	263	263	313	313	329	329	337	337	337	337	337	337	337	378	378
SB42	-	-	-	-	-	-	425	-	-	435	435	435	435	435	488	488
SB48D-2	-	-	-	-	-	-	-	-	-	-	-	-	-	-	-	-
SB60B	475	475	475	-	-	-	-	-	-	-	-	-	-	-	-	-
W4830B-3	-	-	-	-	-	-	-	-	-	-	-	-	-	-	-	-
W6030-OPEN	324	324	-	-	-	-	-	-	-	-	-	-	-	-	-	-

* B = butt door ** 33"W to 36"W - all styles with double headers (*30"W base with single drawer is new specification, bases may ship with 2 drawers until old inventory is phased out. Replacement and special requests will not be honored regarding drawer selection.)

WALL BLIND CORNER CABINET

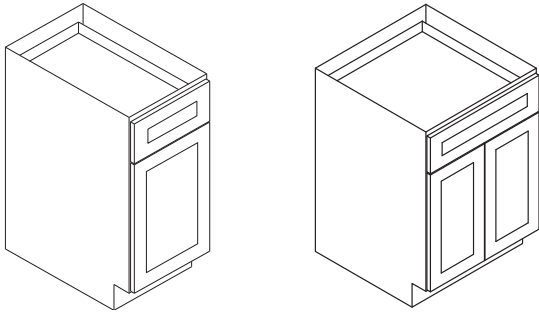


- Specify door right or left when ordering (not blind)
- WBLC30/33-30XX light modification is required (remove 1 door and install WF6)
- WBLC30/33-30XX will ship with W30XX and WF6XX (KD)
- Minimum pull 30" / Maximum pull 33"

	KC	KM	KE	KW	AK	AP	AW	MR	SB	SL	GW	TW	TS	AG	AN	TG
WBLC30/33-3030	257	257	257	295	295	308	308	316	316	316	316	316	316	316	354	354
WBLC30/33-3036	341	341	341	391	391	407	407	417	417	417	417	417	417	417	468	468
WBLC30/33-3042	390	390	390	448	448	468	468	480	480	480	480	480	480	480	538	538
WBLC39/42-3630	216	216	216	-	-	-	-	-	-	-	-	-	-	-	-	-
WBLC39/42-3636	-	268	-	-	-	-	-	-	-	-	-	-	-	-	-	-
WBLC39/42-3642	-	317	-	-	-	-	-	-	-	-	-	-	-	-	-	-

BASE CABINETS*

BASE CABINETS**

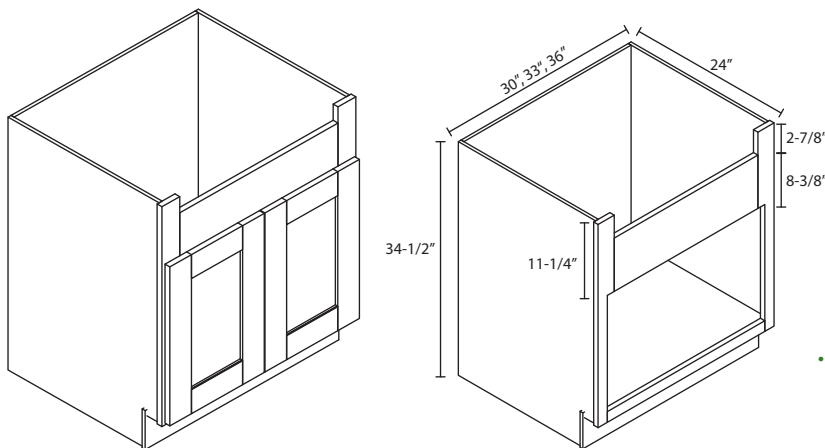


- 24" W - 36" W BxB = "B" = 2 butt doors (double door cabinet)
- Roll out trays for most base sizes available for purchase and installation (see pg. 32 & 44)
- FB09 is a base 9" with full height doors (no drawer or glide unit) **NEW!**

	KC	KM	KE	KW	AK	AP	AW	MR	SB	SL	GW	TW	TS	AG	AN	TG
FB09	-	-	-	-	-	-	189	-	-	-	199	199	199	199	224	224
B09	153	153	153	188	188	198	198	209	209	209	209	209	209	209	235	235
B12	174	174	174	213	213	224	224	236	236	236	236	236	236	236	265	265
B15	182	182	182	222	222	234	234	246	246	246	246	246	246	246	276	276
B18	191	191	191	233	233	245	245	258	258	258	258	258	258	258	289	289
B21	216	216	216	263	263	277	277	291	291	291	291	291	291	291	326	326
B24B	233	233	233	283	283	298	298	312	312	312	312	312	312	312	350	350
B27B	251	251	251	305	305	321	321	336	336	336	336	336	336	336	377	377
B30B*	288	288	288	356	356	374	374	396	396	396	396	396	396	396	444	444
B33B	302	302	302	372	372	391	391	414	414	414	414	414	414	414	464	464
B36B	315	315	315	388	388	408	408	431	431	431	431	431	431	431	483	483
B42	-	-	-	-	-	-	-	-	-	-	-	-	-	-	-	-
B48	-	-	-	-	-	-	-	-	-	-	-	-	-	-	-	-

* B = butt door ** 33" W to 36" W - all styles with double headers (* 30" W base with single drawer is new specification, bases may ship with 2 drawers until old inventory is phased out. Replacement and special requests will not be honored regarding drawer selection.)

FARM SINK BASE CABINET



- Fits most farm sinks

	KC	KM	KE	KW	AK	AP	AW	MR	SB	SL	GW	TW	TS	AG	AN	TG
FSB30B	-	-	-	399	-	-	434	-	-	447	447	447	447	447	501	501
FSB33B	-	-	-	432	-	-	454	-	-	468	468	468	468	468	525	525
FSB36B	-	-	-	451	-	473	473	-	-	488	488	488	488	488	547	547

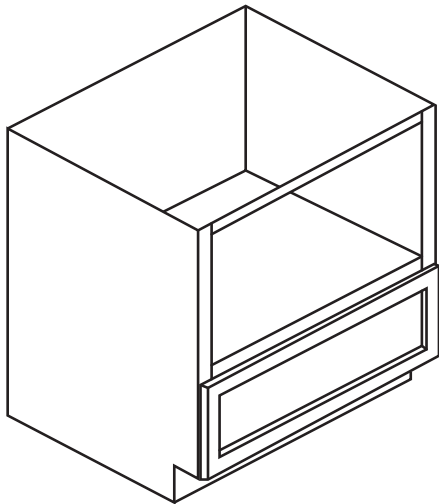
* B = butt door

BASE CABINETS* (CONT.)



Forevermark
cabinetry™

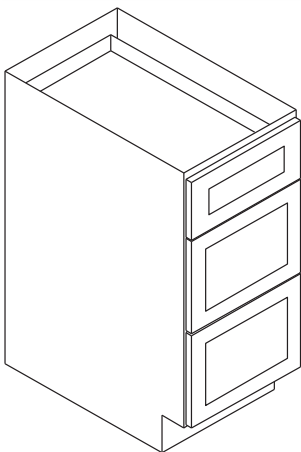
MICROWAVE BASE CABINET



- Opening: 26-7/8" W x 18" H (with 1 drawer)
- Cabinet is 30" W
- Drawer front size is 29-1/2" W x 8-13/16" H
- Different size widths are available for modification only (please see pg. 44)

	KC	KM	KE	KW	AK	AP	AW	MR	SB	SL	GW	TW	TS	AG	AN	TG
B30MW (30" W)	-	-	-	-	-	385	385	-	396	396	396	396	396	396	444	444

DRAWER PACK

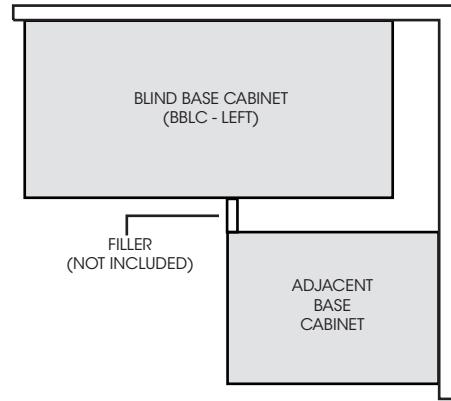
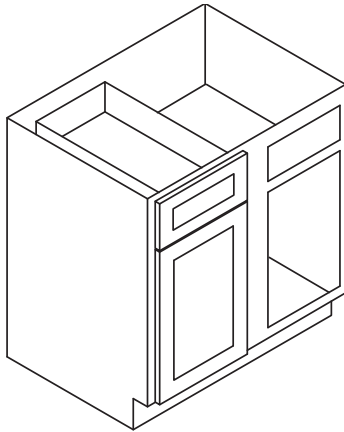


- Middle and bottom drawer are the same size.

	KC	KM	KE	KW	AK	AP	AW	MR	SB	SL	GW	TW	TS	AG	AN	TG
DB12(3)	297	297	297	373	373	392	392	419	419	419	419	419	419	419	470	470
DB15(3)	310	310	310	389	389	409	409	437	437	437	437	437	437	437	490	490
DB18(3)	318	318	318	399	399	419	419	448	448	448	448	448	448	448	502	502
DB21(3)	327	327	327	410	410	431	431	460	460	460	460	460	460	460	516	516
DB24(3)	346	346	346	431	431	453	453	483	483	483	483	483	483	483	541	541
DB30(3)	575	575	575	715	715	751	751	762	762	762	762	762	762	762	854	854
DB36(3)	-	-	-	732	732	769	769	787	787	787	787	787	787	787	882	882

BASE CABINETS* (CONT.)

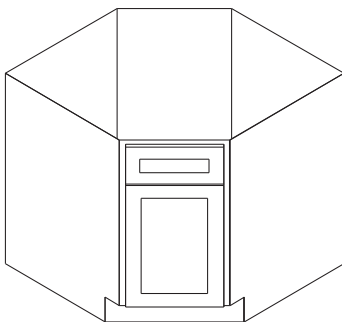
BASE BLIND CORNER



- Specify door right or door left when ordering **(NOT BLIND)**
- See page 46 for dimensions

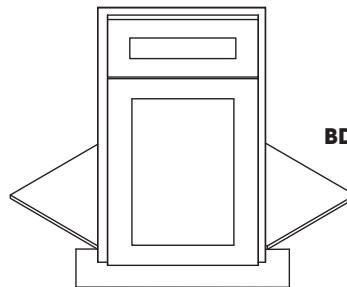
	KC	KM	KE	KW	AK	AP	AW	MR	SB	SL	GW	TW	TS	AG	AN	TG
BBLC39/42-36" W	329	329	329	399	399	419	419	437	437	437	437	437	437	437	490	490
BBLC42/45-39" W	334	334	334	403	403	424	424	442	442	442	442	442	442	442	496	496
BBLC45/48-42" W	337	337	337	407	407	428	428	447	447	447	447	447	447	447	501	501

BASE DIAGONAL CORNER SINK



BDCF36

• BDCF36: corner sink cabinet



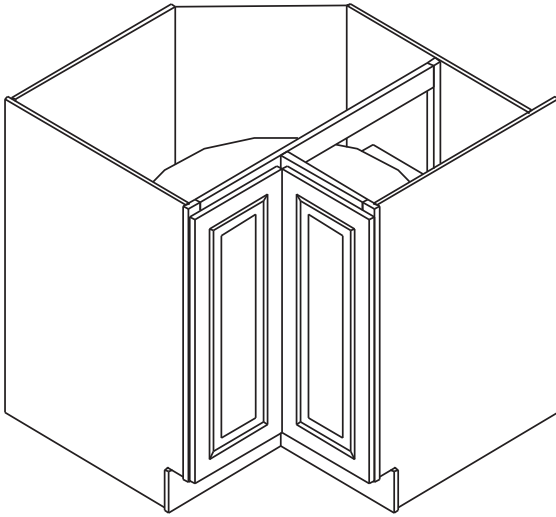
BDCF36K-FL

• BDCF36K-FL: front frame, door & drawer front, floor and toe kick only **(NOT FULL CABINET)**

	KC	KM	KE	KW	AK	AP	AW	MR	SB	SL	GW	TW	TS	AG	AN	TG
BDCF36	438	438	438	519	519	545	545	563	563	563	563	563	563	563	631	631
BDCF36K-FL	132	132	132	156	156	164	164	169	169	169	169	169	169	169	190	190

BASE CABINETS* (CONT.)

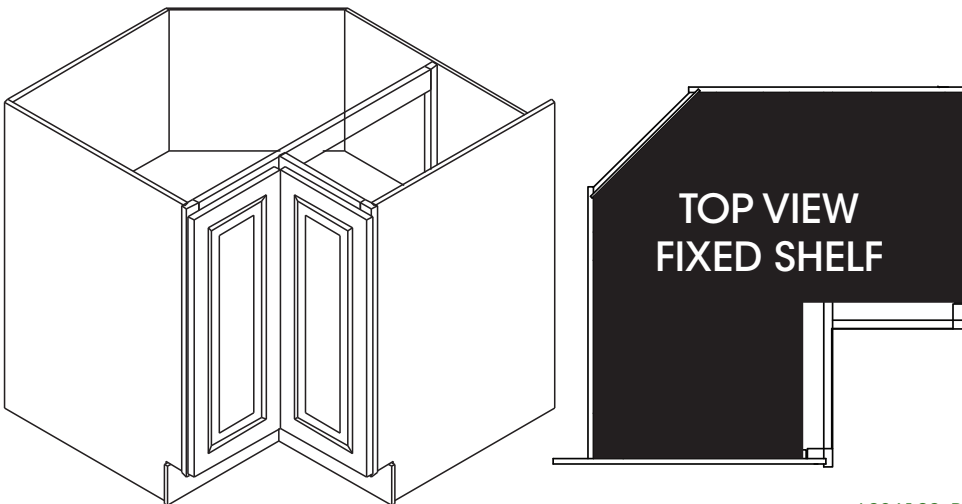
LAZY SUSAN



- LS3612: Bi-Fold door, 2 independently, spinning trays
- Not soft closing doors

	KC	KM	KE	KW	AK	AP	AW	MR	SB	SL	GW	TW	TS	AG	AN	TG
LS3309	434	434	434	515	515	541	541	559	559	559	559	559	559	559	627	627
LS3612	468	468	468	556	556	584	584	604	604	604	604	604	604	604	677	677

EZ REACH CABINET

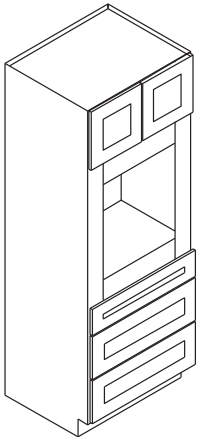


- LS3612S: Bi-Fold Door, Includes fixed shelf only (EZ reach)
- Not soft closing doors

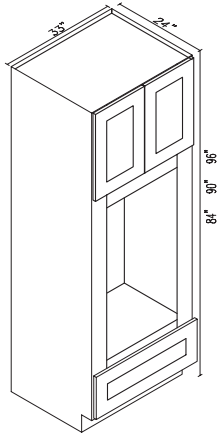
	KC	KM	KE	KW	AK	AP	AW	MR	SB	SL	GW	TW	TS	AG	AN	TG
LS3612S (EZR3612)	407	407	407	492	492	517	517	545	545	545	545	545	545	545	611	611

BASE CABINETS* (CONT.)

OVEN CABINETS



OVEN CABINET



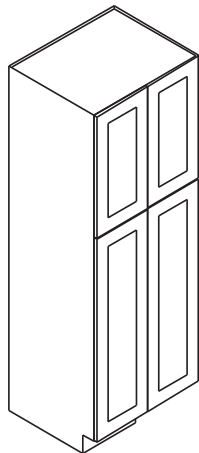
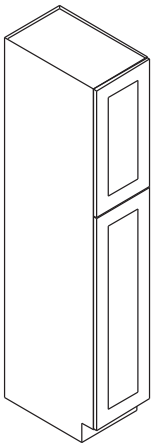
DOUBLE OVEN/OVEN MICROWAVE CABINET

- OC33XXB opening size = 24"W x 24"H
- OM33XXB opening size = 24"W x 42"H
- Can be modified into custom opening size (assembled only). Please provide height and width of opening, additional charge applies

	KC	KM	KE	KW	AK	AP	AW	MR	SB	SL	GW	TW	TS	AG	AN	TG
OC3384B	889	889	889	1049	1049	1102	1102	1153	1153	1153	1153	1153	1153	1153	1292	1292
OC3390B	958	958	958	1133	1133	1190	1190	1244	1244	1244	1244	1244	1244	1244	1394	1394
OC3396B	1027	1027	1027	1209	1209	1270	1270	1327	1327	1327	1327	1327	1327	1327	1487	1487
OM3384B	-	-	-	-	-	-	1040	-	-	1088	1088	1088	1088	1088	1219	1219
OM3390B	-	-	-	-	-	-	1123	-	-	1174	1174	1174	1174	1174	1315	1315
OM3396B	-	-	-	-	-	-	1199	-	-	1252	1252	1252	1252	1252	1403	1403

* B = butt door

WALL PANTRY



- Roll out trays available for purchase and installation (see pg. 16 and 36)

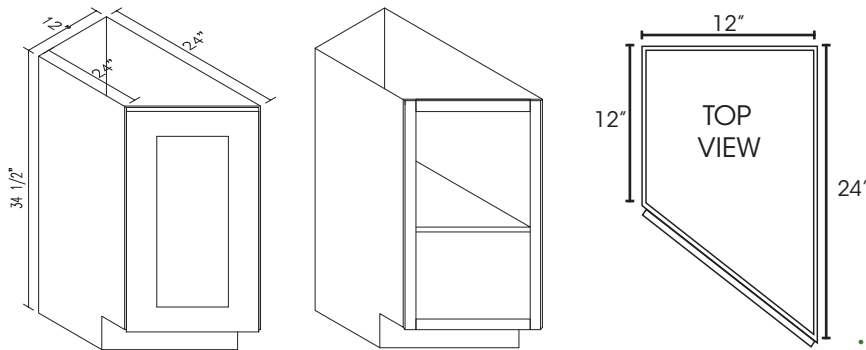
	KC	KM	KE	KW	AK	AP	AW	MR	SB	SL	GW	TW	TS	AG	AN	TG
WP1584	483	483	-	573	-	603	603	-	-	621	621	621	621	621	696	696
WP1590	519	519	-	615	-	647	647	-	-	668	668	668	668	668	749	749
WP1596	554	554	-	657	-	691	691	-	-	714	714	714	714	714	800	800
WP1884	541	541	541	642	642	675	675	696	696	696	696	696	696	696	780	780
WP1890	581	581	581	690	690	725	725	748	748	748	748	748	748	748	838	838
WP1896	621	621	621	737	737	774	774	800	800	800	800	800	800	800	896	896
WP2484B	677	677	677	804	804	845	845	872	872	872	872	872	872	872	977	977
WP2490B	729	729	729	864	864	908	908	938	938	938	938	938	938	938	1051	1051
WP2496B	779	779	779	925	925	972	972	1004	1004	1004	1004	1004	1004	1004	1125	1125

* B = butt door



BASE CABINETS* (CONT.)

BASE TRANSITIONAL CABINET

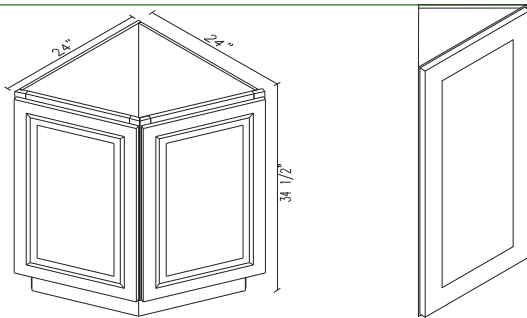


BASE TRANSITIONAL LEFT SHOWN

- 1 door and 1 shelf
- Specify left or right when placing order

	KC	KM	KE	KW	AK	AP	AW	MR	SB	SL	GW	TW	TS	AG	AN	TG
BTC12L	-	-	-	224	-	235	235	-	242	242	242	242	242	242	272	272
BTC12R	-	-	-	224	-	235	235	-	242	242	242	242	242	242	272	272

ANGLE WALL & BASE



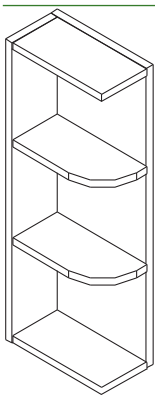
ANGLE BASE

ANGLE WALL

- Door size 17-7/8W X 29-1/4"H
- Both doors are functional

	KC	KM	KE	KW	AK	AP	AW	MR	SB	SL	GW	TW	TS	AG	AN	TG
AW30	165	165	165	194	194	204	204	211	211	211	211	211	211	211	237	237
AW36	198	198	198	233	233	245	245	253	253	253	253	253	253	253	284	284
AW42	231	231	231	273	273	287	287	296	296	296	296	296	296	296	332	332
AB24 (Base)	415	415	415	493	493	518	518	535	535	535	535	535	535	535	600	600

WALL END SHELF – WITH OPEN SHELVES



- WESxxx: Top/Bottom panel: square corner, Shelves: round corner
- Reversible L/R by flipping unit accordingly

	KC	KM	KE	KW	AK	AP	AW	MR	SB	SL	GW	TW	TS	AG	AN	TG
WES530	90	90	90	90	90	90	90	90	90	90	90	90	90	90	101	101
WES536	108	108	108	108	108	108	108	108	108	108	108	108	108	108	121	121
WES542	127	127	127	127	127	127	127	127	127	127	127	127	127	127	143	143

GLASS DOORS

NEW!

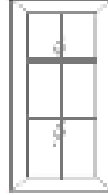
NO MULLION

INCLUDES MULLION



AK
AP
AW
TW

AG
AN NEW
TG NEW
TS NEW



KC
KM
KE

SB
SL
GW
MR

TW
AN
TG
TS NEW
KW NEW

K-Series - linen (see-through frosted) glass
AK, AP - frosted glass
MR - crystallized glass
KW, AW, SB, SL, GW, TW, TS, AG, AN, TG - clear glass

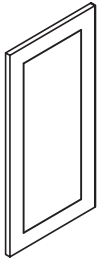
- All glass doors include glass pre-inserted.
- WXXXXGD = No mullion
- WXXXXMGD = With mullion
- Cabinet sold separately

	KC	KM	KE	KW	AK	AP	AW	MR	SB	SL	GW	TW	TS	AG	AN	TG
W3012BGD	-	-	-	-	-	-	162	-	-	-	-	162	162	162	182	-
W1530GD	-	-	-	-	81	81	81	-	-	-	-	81	81	81	91	91
W1530MGD	-	-	-	81	-	-	-	81	81	81	81	89	89	-	100	100
W1830GD	-	-	-	-	107	107	107	-	-	-	-	107	107	107	120	120
W1830MGD	-	-	-	107	-	-	-	107	107	107	107	118	118	-	133	133
W2430BGD	-	-	-	-	-	-	136	-	-	-	-	-	-	142	153	-
W2430BMGD	-	-	-	142	-	-	-	-	-	142	142	142	142	-	-	168
W3030BGD	-	-	-	-	165	165	165	-	-	-	-	165	165	165	185	185
W3030BMGD	165	165	165	165	-	-	-	165	165	165	165	182	182	-	204	204
W3630BGD	-	-	-	-	243	243	243	-	-	-	-	243	243	243	273	273
W3630BMGD	-	-	-	-	-	-	-	243	243	243	243	-	243	-	301	301
WDC2430GD	-	-	-	-	87	87	87	-	-	-	-	87	87	87	98	98
WDC2430MGD	87	87	87	87	-	-	-	87	87	87	87	96	96	-	108	108
W1536GD	-	-	-	-	96	96	96	-	-	-	-	96	96	96	108	108
W1536MGD	-	-	-	96	-	-	-	96	96	96	96	106	106	-	119	119
W1836GD	-	-	-	-	128	128	128	-	-	-	-	128	128	128	144	144
W1836MGD	-	-	-	128	-	-	-	128	128	128	128	141	141	-	158	158
W2436BGD	-	-	-	-	-	-	158	-	-	-	-	-	-	164	177	-
W2436BMGD	-	-	-	164	-	-	-	-	-	164	164	164	164	-	-	191
W3036BGD	-	-	-	-	187	187	187	-	-	-	-	187	187	187	210	210
W3036BMGD	187	187	187	187	-	-	-	187	187	187	187	206	206	-	231	231
W3636BGD	-	-	-	-	-	261	261	-	-	-	-	261	261	261	293	293
W3636BMGD	-	-	-	-	-	-	-	261	261	261	261	-	261	-	323	323
WDC2436GD	-	-	-	-	104	104	104	-	-	-	-	104	104	104	117	117
WDC2436MGD	104	104	104	104	-	-	-	104	104	104	104	114	114	-	128	128
WDC273615GD	-	-	-	-	-	123	123	-	-	-	-	123	123	123	138	138
WDC273615MGD	-	-	-	123	-	-	-	123	123	123	123	136	136	-	153	153
W1542GD	-	-	-	-	-	113	113	-	-	-	-	113	113	113	127	127
W1542MGD	-	-	-	113	-	-	-	113	113	113	113	124	124	-	139	139
W1842GD	-	-	-	-	-	149	149	-	-	-	-	149	149	149	167	167
W1842MGD	-	-	-	149	-	-	-	149	149	149	149	164	164	-	184	184
W2442BGD	-	-	-	-	-	-	190	-	-	-	-	-	-	199	213	-
W2442BMGD	-	-	-	199	-	-	-	-	-	199	199	199	199	-	-	228
W3042BGD	-	-	-	-	-	231	231	-	-	-	-	231	231	231	259	259
W3042BMGD	231	231	231	231	-	-	-	231	231	231	231	255	255	-	285	285
W3642BGD	-	-	-	-	-	323	323	-	-	-	-	323	323	323	362	362
W3642BMGD	-	-	-	-	-	-	-	323	323	323	323	-	323	-	399	399
WDC2442GD	-	-	-	-	122	122	122	-	-	-	-	122	122	122	137	137
WDC2442MGD	122	122	122	122	-	-	-	122	122	122	122	134	134	-	151	151
WDC274215GD	-	-	-	-	-	150	150	-	-	-	-	150	150	150	168	168
WDC274215MGD	-	-	-	150	-	-	-	150	150	150	150	165	165	-	185	185

DECOR DOORS & ACCESSORIES



END DECORATIVE DOORS

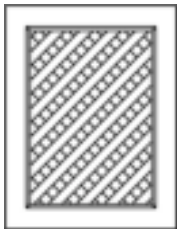


- EPW = Wall end decorative door
- EPB = Base end decorative door
- EPWP = Wall pantry/tall end decorative door

EPW1230D

	KC	KM	KE	KW	AK	AP	AW	MR	SB	SL	GW	TW	TS	AG	AN	TG
EPW1230D	63	63	63	70	70	74	74	76	76	76	76	76	76	76	86	86
EPW1236D	77	77	77	85	85	90	90	93	93	93	93	93	93	93	105	105
EPW1242D	93	93	93	102	102	108	108	111	111	111	111	111	111	111	125	125
EPB24D	159	159	159	178	178	187	187	193	193	193	193	193	193	193	217	217
EPWP2484D	-	-	-	-	-	237	237	239	239	239	239	239	239	239	268	268
EPWP2490D	-	-	-	-	-	268	268	269	269	269	269	269	269	269	302	302
EPWP2496D	-	-	-	-	-	300	300	295	295	295	295	295	295	295	331	331

LATTICE DOORS



- Lattice doors only (2 pcs per pack) cabinet sold separately.
- Lattice doors option for sink base and base

* **SB30B-ND-SP**

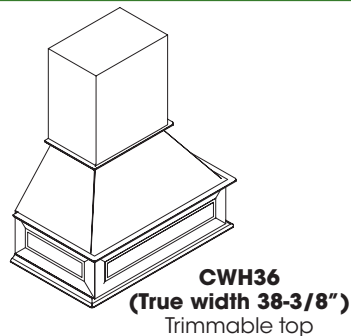
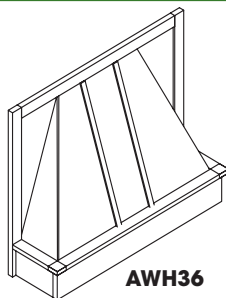
* **SB33B-ND-SP**

* **SB36B-ND-SP**

	KC	KM	KE	KW	AK	AP	AW	MR	SB	SL	GW	TW	TS	AG	AN	TG
* SB30B-ND-SP	-	-	-	-	-	-	-	-	-	293	293	293	-	-	-	-
* SB33B-ND-SP	-	-	-	-	-	-	-	-	-	307	307	307	-	-	-	-
* SB36B-ND-SP	-	-	-	-	-	-	-	-	-	322	322	322	-	-	-	-

** 30" W to 36" W - all styles with double headers * B = butt door

RANGE HOODS



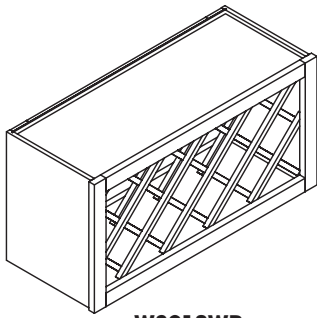
AWH36

CWH36

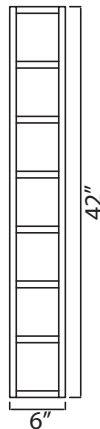
	KC	KM	KE	KW	AK	AP	AW	MR	SB	SL	GW	TW	TS	AG	AN	TG
AWH36	-	-	-	-	-	512	512	-	512	512	512	512	512	512	574	574
CWH36	-	-	-	-	-	-	-	-	609	609	609	609	609	609	683	683

SPECIAL CABINETS AND ROLL OUT TRAYS

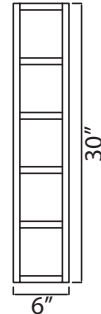
SPECIAL CABINETS



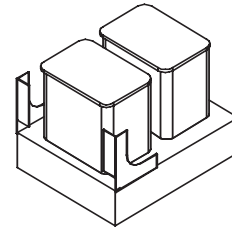
W3018WR
(Wine Rack)



WC6XX
(Wall Cubes)



- WC630 = 6" w x 30" h x 12" d with 5 cubes.
- WC636 = 6" w x 36" h x 12" d with 6 cubes.
- WC642 = 6" w x 42" h x 12" d with 7 cubes.

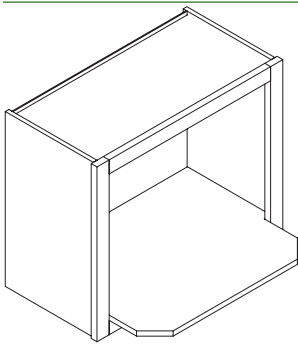


TCR21-2
(Trash Can)

- TCR21-2 fits B18 or B21 (sold separately)
- Full extension, not soft closing
- Includes 2 plastic cans, approx 29qt capacity
- Installation is an additional \$38

	KC	KM	KE	KW	AK	AP	AW	MR	SB	SL	GW	TW	TS	AG	AN	TG
W3018WR	197	197	197	197	197	197	197	197	197	197	197	197	197	197	221	221
TCR21-2	336	336	336	336	336	336	336	336	336	336	336	336	336	336	336	336
WC630	-	-	-	151	-	-	151	-	-	-	151	151	151	151	170	170
WC636	-	-	-	178	-	-	178	-	-	-	178	178	178	178	200	200
WC642	-	-	-	205	-	-	205	-	-	-	205	205	205	205	230	230

MICROWAVE OVEN



- Cabinet is 30" W x 18"H x 12"D
- Stationary shelf is 18"D
- Opening = 26 7/8"W x 14 1/8"H

	KC	KM	KE	KW	AK	AP	AW	MR	SB	SL	GW	TW	TS	AG	AN	TG
MWO3018PM-12	167	167	167	167	167	167	167	167	167	167	167	167	167	167	188	188

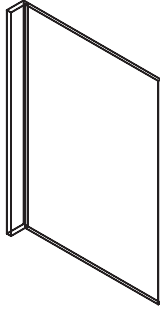
*ROLL OUT TRAY WITH DOVE TAIL DRAWER BOX

- Pre-assembled Dove Tail Drawer and Undermount Full Extension Soft Close Track
- CYOF: must install with undermount Full Extension, soft close track (price included)
- Roll out trays and cabinets sold separately
- Roll out trays installed upon request in assembled cabinets (installation is additional \$20 per tray)

	KC	KM	KE	KW	AK	AP	AW	MR	SB	SL	GW	TW	TS	AG	AN	TG
15RT-DR	88	88	88	88	88	88	88	88	88	88	88	88	88	88	88	88
18RT-DR	99	99	99	99	99	99	99	99	99	99	99	99	99	99	99	99
24RT-DR	108	108	108	108	108	108	108	108	108	108	108	108	108	108	108	108
27RT-DR	119	119	119	119	119	119	119	119	119	119	119	119	119	119	119	119
30RT-DR	130	130	130	130	130	130	130	130	130	130	130	130	130	130	130	130
33RT-DR	158	158	158	158	158	158	158	158	158	158	158	158	158	158	158	158
36RT-DR	186	186	186	186	186	186	186	186	186	186	186	186	186	186	186	186

PANELS

DISHWASHER PANELS WITH 3" RETURN



• Edge not finished without 3" return

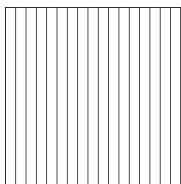
	KC	KM	KE	KW	AK	AP	AW	MR	SB	SL	GW	TW	TS	AG	AN	TG
DWR33412	80	80	80	80	80	80	80	80	80	80	80	80	80	80	90	90

REFRIGERATOR END PANELS

- REP24XX, REP24XX(3) have 2 finished edges, usable with or without 3" return
- REP3096(3)-3/4" has 1 finished edge, usable with or without 3" return
- (3) = 3"W return

	KC	KM	KE	KW	AK	AP	AW	MR	SB	SL	GW	TW	TS	AG	AN	TG
REP2484-3/4"	209	209	209	209	209	209	209	209	209	209	209	209	209	209	235	235
REP2496-3/4"	239	239	239	239	239	239	239	239	239	239	239	239	239	239	268	268
REP2484(3)-3/4"	242	242	242	242	242	242	242	242	242	242	242	242	242	242	272	272
REP2496(3)-3/4"	289	289	289	289	289	289	289	289	289	289	289	289	289	289	324	324
REP3096(3)-3/4"	392	392	392	392	392	392	392	392	392	392	392	392	392	392	440	440

FINISHED BACK PANELS AND BEADED BOARD



BP48

- Finish Back Panel and Beaded Board Panel
- FBP with vertical grain (runs longways, along height)
- FBP489614 = 1/4" thick finish back panel (48"W x 96"H)
- FBP483614 = 1/4" thick finish back panel (48"W x 36"H)
- FBP369614 = 1/4" thick finish back panel (36"W x 96"H)
- BP48341214 = 1/4" thick bead board panel (48"W x 34 1/2"H)
- Finished on 1-side

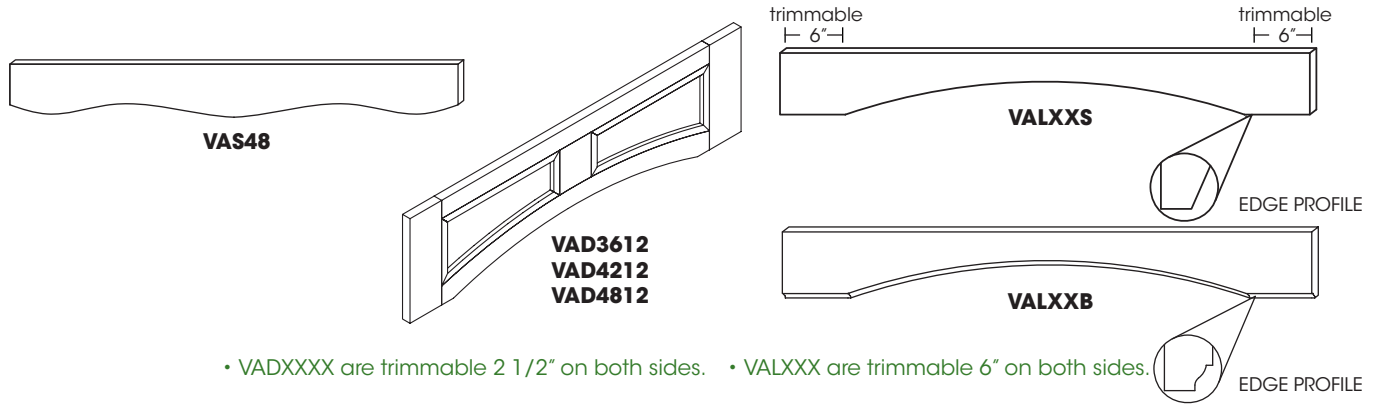
	KC	KM	KE	KW	AK	AP	AW	MR	SB	SL	GW	TW	TS	AG	AN	TG
FBP483614(1)	95	95	-	95	-	95	95	95	95	95	95	95	95	95	107	107
FBP369614(1)	160	160	-	160	-	160	160	160	160	160	160	160	160	160	180	180
FBP489614(1)	169	169	169	169	169	169	169	169	169	169	169	169	169	169	190	190
BP48341214	159	159	159	159	159	159	159	159	159	159	159	159	159	159	179	179

TOE KICK

	KC	KM	KE	KW	AK	AP	AW	MR	SB	SL	GW	TW	TS	AG	AN	TG
TK8	49	49	49	49	49	49	49	49	49	49	49	49	49	49	55	55

TRIM DETAILS

VALANCES



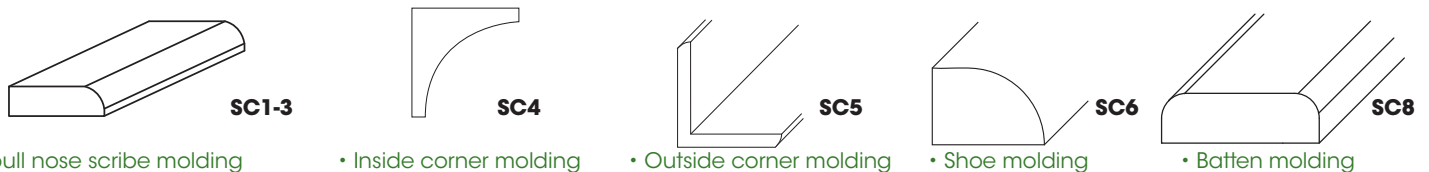
• VADXXX are trimmable 2 1/2" on both sides. • VALXXX are trimmable 6" on both sides.

Item photos on pg. 58

	KC	KM	KE	KW	AK	AP	AW	MR	SB	SL	GW	TW	TS	AG	AN	TG
VAS48	42	42	42	42	42	42	42	42	42	42	-	-	-	-	-	-
VAD3612	115	115	115	115	115	115	115	115	115	115	115	-	-	-	-	-
VAD4212	145	145	145	145	145	145	145	145	145	145	145	-	-	-	-	-
VAD4812	182	182	182	182	182	182	182	182	182	182	182	-	-	-	-	-
VAL48B	-	-	-	113	-	-	-	-	113	113	113	113	-	-	-	127
VAL54B	-	-	-	123	-	-	-	-	123	123	123	123	-	-	-	138
VAL48S	-	-	-	-	89	89	89	-	-	-	-	-	113	113	127	-
VAL54S	-	-	-	-	99	99	99	-	-	-	-	-	123	123	138	-



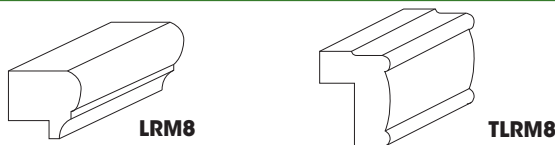
CORNER MOLDINGS



Item photos on pg. 60

	KC	KM	KE	KW	AK	AP	AW	MR	SB	SL	GW	TW	TS	AG	AN	TG
SC1-3 (SM)	20	20	20	20	20	20	20	20	20	20	20	20	20	20	23	23
SC4 (ICM)	29	29	29	29	29	29	29	29	29	29	29	29	29	29	33	33
SC5 (OCM)	28	28	28	28	28	28	28	28	28	28	28	28	28	28	32	32
SC6 (SM) NEW	32	32	32	32	-	-	32	-	-	32	32	32	32	32	37	37
SC8 (BM) NEW	30	30	30	30	-	-	30	-	-	30	30	30	30	30	35	35

LIGHT RAIL MOLDINGS



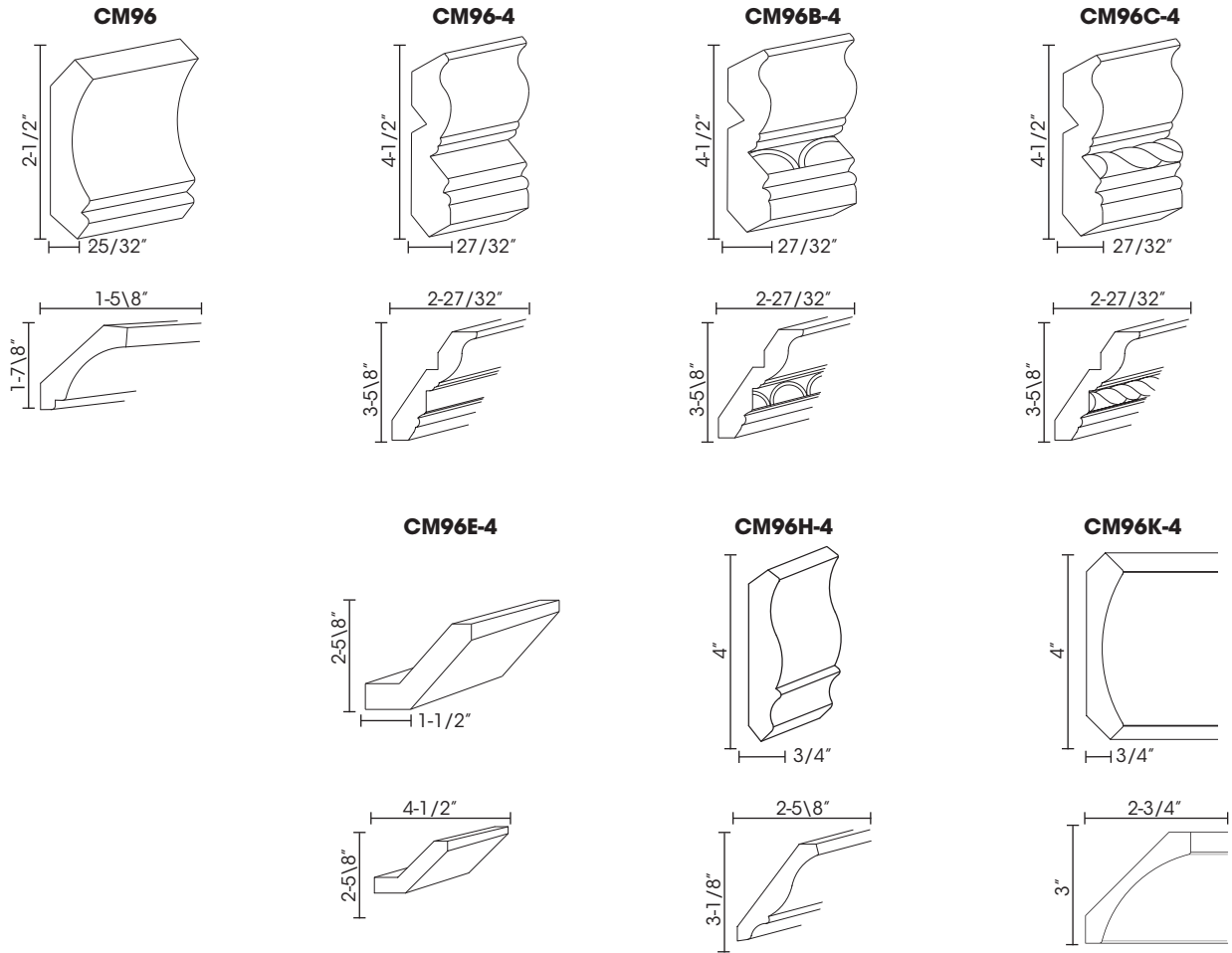
Item photos on pg. 60

	KC	KM	KE	KW	AK	AP	AW	MR	SB	SL	GW	TW	TS	AG	AN	TG
LRM8	81	81	81	81	81	81	81	81	81	81	81	81	81	81	91	91
TLRM8	198	198	198	198	198	198	198	198	198	198	198	198	198	198	222	222



TRIM DETAILS (CONT.)

CROWN MOLDINGS

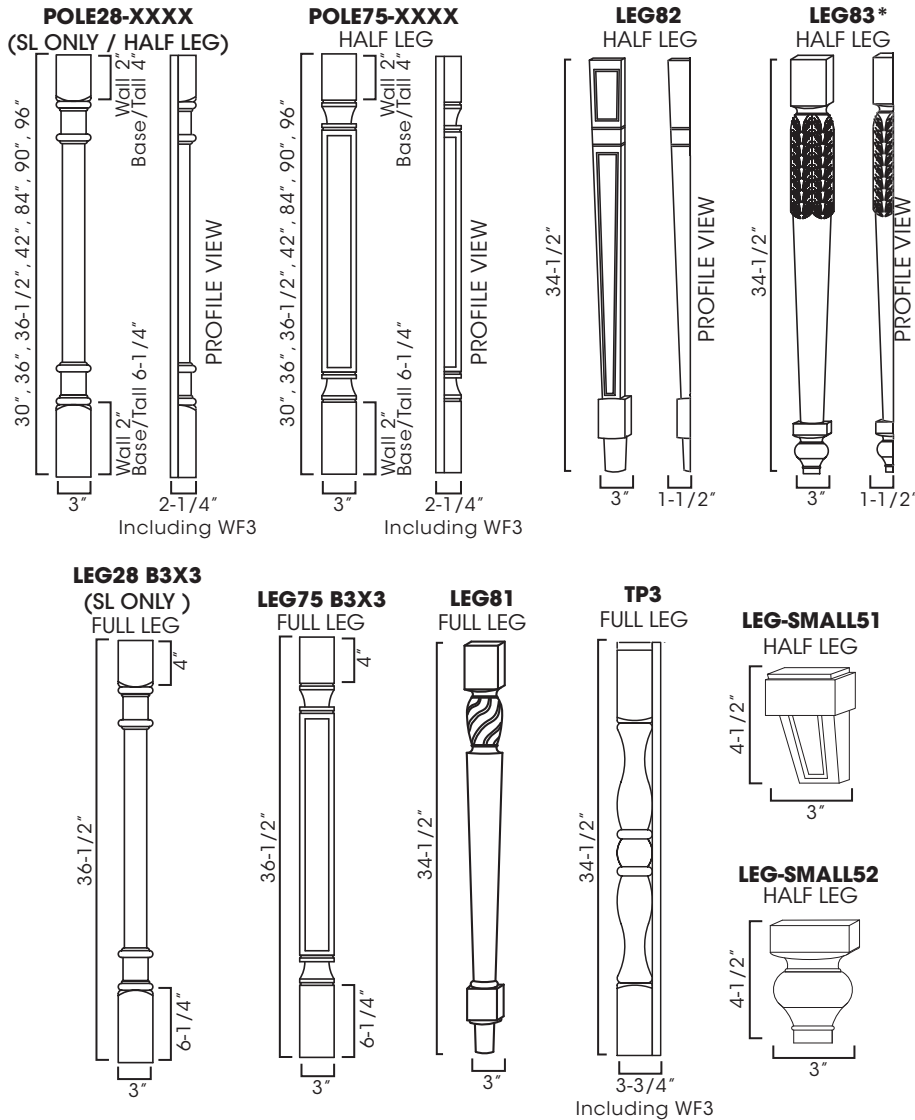


- Measurements are approximate projections.
- CM96B-4 = crown molding with egg and dart detail (Rope detail fastened to molding.)
- CM96C-4 = crown molding with rope detail (Rope detail fastened to molding.)
- CM96E-4 = crown molding is straight
- CM96K-4 = crown molding with large cove detail
- Molding details applied. No installation required.

Item photos on pg. 58

	KC	KM	KE	KW	AK	AP	AW	MR	SB	SL	GW	TW	TS	AG	AN	TG
CM96	74	74	74	74	74	74	74	74	74	74	74	74	74	74	83	83
CM96-4	119	119	119	119	119	119	119	119	119	119	119	119	-	-	-	-
CM96B-4	-	-	-	-	-	-	-	-	-	163	-	-	-	-	-	-
CM96C-4	163	163	163	163	-	-	-	163	-	163	163	163	-	-	-	-
CM96E-4	-	-	-	156	156	156	156	-	-	-	156	156	-	-	-	-
CM96H-4	-	-	-	119	-	119	119	-	-	119	119	119	119	119	134	134
CM96K-4	-	-	-	140	-	140	140	-	-	-	140	140	140	140	157	157

DÉCOR LEGS AND PILASTERS



- POLE28-B3 = Half leg 3" w x 36-1/2" h x 2-1/4" d including WF3 (trimmable). SL ONLY
- POLE28-WXXX = Half leg 3" w x 30" h, 36" h, 42" h x 2-1/4" d including WF3. SL ONLY
- POLE28-TXXX = Half tall leg 3" w x 84" h, 90" h, 96" h x 2-1/4" d including WF3 (trimmable). SL ONLY
- POLE75-B3 = Half leg 3" w x 36-1/2" h x 2-1/4" d including WF3 (trimmable).
- POLE75-WXXX = Half leg 3" w x 30" h, 36" h, 42" h x 2-1/4" d including WF3.
- POLE75-TXXX = Half tall leg 3" w x 84" h, 90" h, 96" h x 2-1/4" d including WF3 (trimmable).
- LEG82 = Half leg 3" w x 34-1/2" h x 1-1/2" d
- LEG83* = Half leg 3" w x 34-1/2" h x 1-1/2" d
- LEG28 = Full leg 3" w x 36-1/2" h x 3" d (trimmable). SL ONLY
- LEG75 = Full leg 3" w x 36-1/2" h x 3" d (trimmable).
- LEG81 = Full leg 3" w x 34-1/2" h x 3" d
- TP3/WF34-1/2 = Full leg 3" w x 34-1/2" h x 3" d with wall filler 3" w x 34-1/2" h x 3/4" d
- LEG-SMALL51 = Half leg 3" w x 4-1/2" h x 1-1/2" d
- LEG-SMALL52 = Half leg 3" w x 4-1/2" h x 1-1/2" d

Item photos on pg. 59

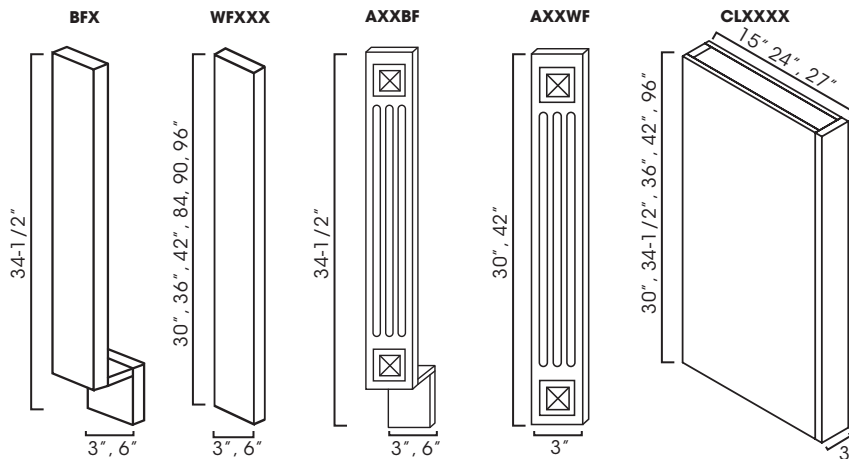
	KC	KM	KE	KW	AK	AP	AW	MR	SB	SL	GW	TW	TS	AG	AN	TG
TP3/WF34-1/2"	207	207	207	207	207	207	207	207	207	207	207	207	-	-	-	-
LEG28 B3x3	-	-	-	-	-	-	-	-	-	250	-	-	-	-	-	-
LEG75 B3x3	-	-	-	250	-	-	250	-	-	-	250	250	250	250	280	280
LEG81	-	175	-	175	-	175	175	175	175	175	175	175	-	-	-	-
LEG82	-	166	-	-	-	166	166	166	-	-	-	-	-	-	-	-
LEG83*	-	-	-	194	-	-	-	-	194	194	194	194	-	-	-	-
LEG-SMALL51	-	34	-	-	-	-	-	34	-	-	-	-	-	-	-	-
LEG-SMALL52	41	41	-	-	-	-	-	41	-	-	-	-	-	-	-	-
POLE28-B3	-	-	-	-	-	-	-	-	-	227	-	-	-	-	-	-
POLE28-W330	-	-	-	-	-	-	-	-	-	126	-	-	-	-	-	-
POLE28-W336	-	-	-	-	-	-	-	-	-	139	-	-	-	-	-	-
POLE28-W342	-	-	-	-	-	-	-	-	-	160	-	-	-	-	-	-
POLE28-T384	-	-	-	-	-	-	-	-	-	275	-	-	-	-	-	-
POLE28-T390	-	-	-	-	-	-	-	-	-	291	-	-	-	-	-	-
POLE28-T396	-	-	-	-	-	-	-	-	-	308	-	-	-	-	-	-

FILLERS

DÉCOR LEGS (CONTINUED)

	KC	KM	KE	KW	AK	AP	AW	MR	SB	SL	GW	TW	TS	AG	AN	TG
POLE75-B3	-	-	-	227	-	-	227	-	-	-	227	227	227	227	255	255
POLE75-W330	-	-	-	126	-	-	126	-	-	-	126	126	126	126	142	142
POLE75-W336	-	-	-	139	-	-	139	-	-	-	139	139	139	139	156	156
POLE75-W342	-	-	-	160	-	-	160	-	-	-	160	160	160	160	180	180
POLE75-T384	-	-	-	275	-	-	275	-	-	-	275	275	275	275	308	308
POLE75-T390	-	-	-	291	-	-	291	-	-	-	291	291	291	291	326	326
POLE75-T396	-	-	-	308	-	-	308	-	-	-	308	308	308	308	345	345

WALL & BASE FILLERS AND BOXED COLUMNS



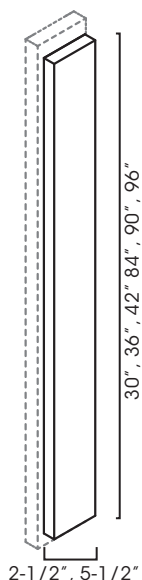
- BFX = Base filler 3" w x 34-1/2" h x 3/4" d
- BF6 = Base filler 6" w x 34-1/2" h x 3/4" d
- WF3XX = Wall filler 3" w x 30" h, 36" h, 42" h, 84" h, 90" h, 96" h x 3/4" d
- WF6XX = Wall filler 6" w x 30" h, 36", 42" h x 3/4" d
- A3BF = Decorative base filler. Fluted with beveled square. 3" w x 34-1/2" h x 3/4" d
- A6BF = Decorative base filler. Fluted with beveled square. 6" w x 34-1/2" h x 3/4" d
- AxxWF = Decorative wall filler. Fluted with beveled square. 3" w x 30" h, 36" h, 42" h x 3/4" d
- CLB334-1/2 = Column box base. 3" w x 34-1/2" h x 24" d
- CLWxxx = Column wall. 3" w x 30" h x 36" h x 42" h, x 15" d (Boxed columns can be used as floating shelves)
- CLW396 = Column tall. 3" w x 96" h x 27" d (*CLW396 is trimmable to custom height)
- Fillers are 3/4" thick and finished on all sides and edges.

Boxed columns can be used as floating shelves

	KC	KM	KE	KW	AK	AP	AW	MR	SB	SL	GW	TW	TS	AG	AN	TG
WF3-3/4	22	22	22	22	22	22	22	22	22	22	22	22	22	22	25	25
WF336-3/4	27	27	27	27	27	27	27	27	27	27	27	27	27	27	31	31
WF342-3/4	34	34	34	34	34	34	34	34	34	34	34	34	34	34	39	39
WF384-3/4	63	63	63	63	63	63	63	63	63	63	63	63	63	63	71	71
WF396-3/4	74	74	74	74	74	74	74	74	74	74	74	74	74	74	83	83
WF6-3/4	45	45	45	45	45	45	45	45	45	45	45	45	45	45	51	51
WF642-3/4	66	66	66	66	66	66	66	66	66	66	66	66	66	66	74	74
WF696-3/4	145	145	145	145	145	145	145	145	145	145	145	145	145	145	163	163
BF3-3/4	36	36	36	36	36	36	36	36	36	36	36	36	36	36	41	41
BF6-3/4	61	61	61	61	61	61	61	61	61	61	61	61	61	61	69	69
A30WF	-	36	36	36	-	36	36	36	36	36	36	36	-	-	-	-
A36WF	45	45	45	45	-	45	45	45	45	45	45	45	-	-	-	-
A42WF	51	51	51	51	-	51	51	51	51	51	51	51	-	-	-	-
A3BF	49	49	49	49	49	49	49	49	49	49	49	49	-	-	-	-
A6BF	102	102	-	102	-	102	102	102	102	102	102	102	-	-	-	-
CLB334-1/2	-	-	-	170	-	-	170	-	-	170	170	170	170	170	191	191
CLW330	-	-	-	110	-	-	110	-	-	110	110	110	110	110	124	124
CLW336	-	-	-	131	-	-	131	-	-	131	131	131	131	131	147	147
CLW342	-	-	-	153	-	-	153	-	-	153	153	153	153	153	172	172
CLW396	-	-	-	510	-	-	510	-	-	510	510	510	510	510	572	572

TRIM DETAILS (CONT.)

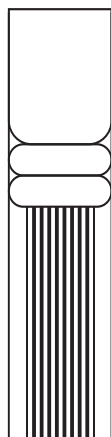
OVERLAY FILLERS



- 3/4" Solid wood
- Outer profile matches door style
- Mounted to wall filler, base filler, or column boxes. Fillers sold separately.
- **OLF330** = Actual size 2-1/2" w x 29-1/4" h x 3/4" d
- **OLF336** = Actual size 2-1/2" w x 35-1/4" h x 3/4" d
- **OLF342** = Actual size 2-1/2" w x 41-1/4" h x 3/4" d
- **OLF630** = Actual size 5-1/2" w x 29-1/4" h x 3/4" d
- **OLF636** = Actual size 5-1/2" w x 35-1/4" h x 3/4" d
- **OLF642** = Actual size 5-1/2" w x 41-1/4" h x 3/4" d
- **OLF384** = Actual size 2-1/2" w x 78-3/4" h x 3/4" d
- **OLF390** = Actual size 2-1/2" w x 84-3/4" h x 3/4" d
- **OLF396** = Actual size 2-1/2" w x 90-3/4" h x 3/4" d

	KC	KM	KE	KW	AK	AP	AW	MR	SB	SL	GW	TW	TS	AG	AN	TG
OLF330	-	-	-	22	-	-	22	-	-	22	22	22	22	22	25	25
OLF336	-	-	-	27	-	-	27	-	-	27	27	27	27	27	31	31
OLF342	-	-	-	34	-	-	34	-	-	34	34	34	34	34	39	39
OLF630	-	-	-	41	-	-	41	-	-	41	41	41	41	41	46	46
OLF636	-	-	-	54	-	-	54	-	-	54	54	54	54	54	61	61
OLF642	-	-	-	60	-	-	60	-	-	60	60	60	60	60	68	68
OLF384	-	-	-	95	-	-	95	-	-	95	95	95	95	95	107	107
OLF390	-	-	-	113	-	-	113	-	-	113	113	113	113	113	127	127
OLF396	-	-	-	129	-	-	129	-	-	129	129	129	129	129	145	145

TRIMMABLE PILASTER

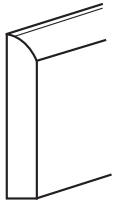


- Solid wood
- Trimmable to different length & depth

	KC	KM	KE	KW	AK	AP	AW	MR	SB	SL	GW	TW	TS	AG	AN	TG
CFC96	-	-	-	-	-	-	-	-	310	310	-	-	-	-	-	-

TRIM DETAILS (CONT.)

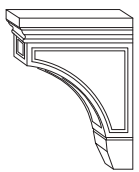
BASE BOARD MOLDING



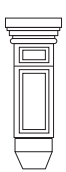
Item photos on pg. 60

	KC	KM	KE	KW	AK	AP	AW	MR	SB	SL	GW	TW	TS	AG	AN	TG
BM4-1/2"-5/8"	116	116	116	116	116	116	116	116	116	116	116	116	116	116	130	130

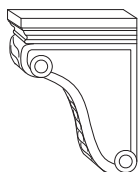
CORBELS & APPLIQUES



SMALL: **CORBEL 54**
LARGE: **CORBEL 59**
Raised Center



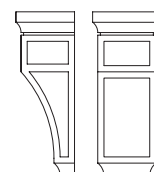
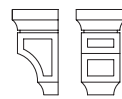
CORBEL 55
CORBEL 58



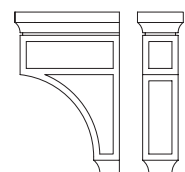
CORBEL 56
CORBEL 57



SMALL
CORBEL 75S
Recessed
Center



MEDIUM
CORBEL 75M
Recessed
Center



LARGE
CORBEL 75L
Recessed
Center

- CORBEL 54, 55, 56 Small = 3" w x 6" h x 4" d
- CORBEL 57, 58, 59 Large = 3" w x 9" h x 6" d
- CORBEL60S Small = 5" w x 10" h x 5" d
- CORBEL60L Large = 7" w x 17" h x 7" d
- CORBEL75S Small = 3-3/4" w x 6-1/2" H x 3-1/2" d
- CORBEL75M Medium = 5-1/4" w x 12-1/2" h x 4-1/2" d
- CORBEL75L Large = 3-1/2" w x 12-1/2" h x 8" d



CORBEL 60S
CORBEL 60L



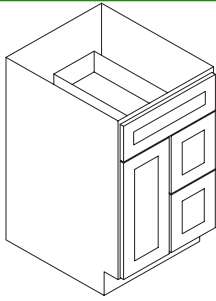
DOA

Item photos on pg. 60

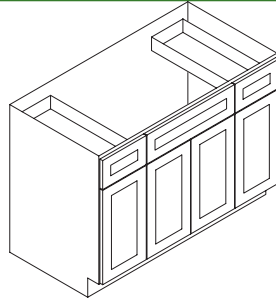
	KC	KM	KE	KW	AK	AP	AW	MR	SB	SL	GW	TW	TS	AG	AN	TG
DOA	-	203	-	203	-	203	203	203	203	203	203	203	-	-	-	-
CORBEL54	65	65	65	-	65	-	-	65	-	-	-	-	-	-	-	-
CORBEL55	-	113	-	-	-	-	-	113	-	-	-	-	-	-	-	-
CORBEL56	-	127	-	127	-	-	-	127	127	127	127	127	-	-	-	-
CORBEL57	198	198	-	198	-	-	-	198	198	198	198	198	-	-	-	-
CORBEL58	-	171	-	-	-	171	-	171	-	-	-	-	-	-	-	-
CORBEL59	95	95	95	95	95	95	95	95	-	-	95	95	95	95	107	107
CORBEL60S	180	180	-	180	-	-	-	180	180	180	180	180	-	-	-	-
CORBEL60L	390	390	-	-	-	-	-	390	390	390	-	-	-	-	-	-
CORBEL75S	-	-	-	159	-	-	159	-	-	-	159	159	159	159	179	179
CORBEL75M	-	-	-	217	-	-	217	-	-	-	217	217	217	217	244	244
CORBEL75L	-	-	-	230	-	-	230	-	-	-	230	230	230	230	258	258

VANITIES

VANITIES – WITH DRAWERS



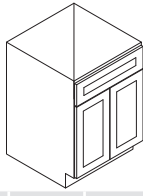
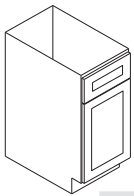
S3021DR



S4821B

	KC	KM	KE	KW	AK	AP	AW	MR	SB	SL	GW	TW	TS	AG	AN	TG
S3021DL-34-1/2"	371	371	371	426	426	437	437	447	447	447	447	447	447	447	501	501
S3021DR-34-1/2"	371	371	371	426	426	437	437	447	447	447	447	447	447	447	501	501
S3621BDL-34-1/2"	415	415	415	474	474	498	498	512	512	512	512	512	512	512	574	574
S3621BDR-34-1/2"	415	415	415	474	474	498	498	512	512	512	512	512	512	512	574	574
S4821B12D-34-1/2"	-	-	-	639	639	671	671	-	699	699	699	699	699	699	783	783

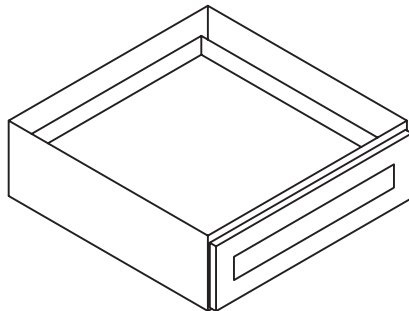
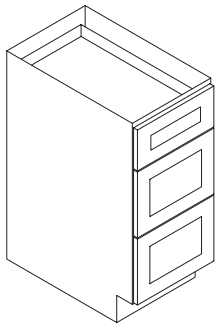
VANITIES – WITH DRAWERS



• S2421-30" - Available in CYOF and K-Series lines. 30"H only.

	KC	KM	KE	KW	AK	AP	AW	MR	SB	SL	GW	TW	TS	AG	AN	TG
S2421B - 30"H	214	214	-	-	-	-	-	-	-	-	-	-	-	-	-	-
S2421B-34-1/2"	226	226	226	230	230	242	242	250	250	250	250	250	250	250	280	280
S3021B-34-1/2"	265	265	265	292	292	307	307	315	315	315	315	315	315	315	353	353
S3621B-34-1/2"	310	310	310	350	350	368	368	380	380	380	380	380	380	380	426	426

* B = buff door



- SVB = Vanity drawer pack 34"H x 24"D
- SVDU = Desk drawer 30"W x 20"D

	KC	KM	KE	KW	AK	AP	AW	MR	SB	SL	GW	TW	TS	AG	AN	TG
SVB1221-34-1/2"	399	399	399	440	440	462	462	476	476	476	476	476	476	476	534	534
SVB1521-34-1/2"	420	420	420	460	460	483	483	498	498	498	498	498	498	498	558	558
SVDU3021-7"	-	-	-	129	129	134	134	136	136	136	136	136	136	136	153	153

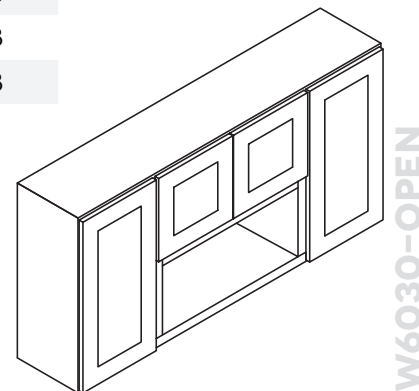
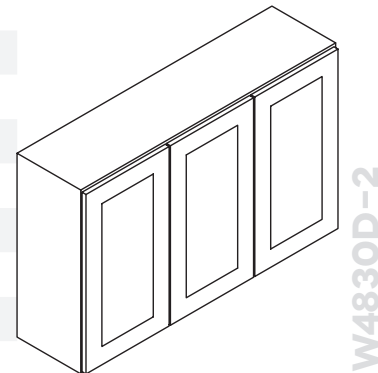
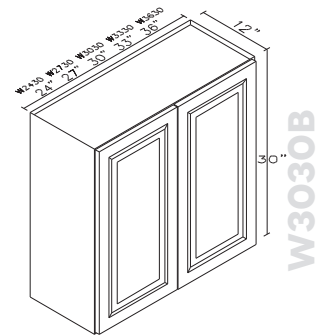
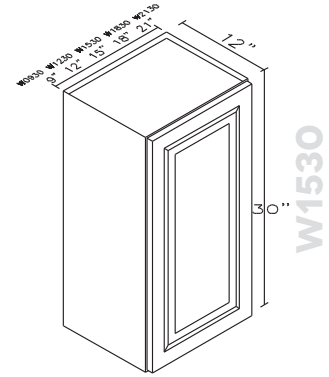
*Subject to Change without notice; TSG not responsible for printing errors; or discontinued items *Please refer to "Spec sheet page" for detailed specifications



SPEC SHEETS

SPEC SHEET 1 (WALL CABINETS)

Item#	Width	Height	Depth	Door	Drawer	Shelf
W0930	9"	30"	12"	1	0	2
W1230	12"	30"	12"	1	0	2
W1530*	15"	30"	12"	1	0	2
W1830	18"	30"	12"	1	0	2
W2130	21"	30"	12"	1	0	2
W2430B	24"	30"	12"	2	0	2
W2730B	27"	30"	12"	2	0	2
W3030B	30"	30"	12"	2	0	2
W3330B	33"	30"	12"	2	0	2
W3630B	36"	30"	12"	2	0	2
W4230	42"	30"	12"	2	0	2
W4830B-3	48"	30"	12"	3	0	2
W6030-OPEN	60"	15"/30"	12"	4	0	5
W0936	9"	36"	12"	1	0	2
W1236	12"	36"	12"	1	0	2
W1536	15"	36"	12"	1	0	2
W1836	18"	36"	12"	1	0	2
W2136	21"	36"	12"	1	0	2
W2436B	24"	36"	12"	2	0	2
W2736B	27"	36"	12"	2	0	2
W3036B	30"	36"	12"	2	0	2
W3336B	33"	36"	12"	2	0	2
W3636B	36"	36"	12"	2	0	2
W0942	9"	42"	12"	1	0	3
W1242	12"	42"	12"	1	0	3
W1542	15"	42"	12"	1	0	3
W1842	18"	42"	12"	1	0	3
W2142	21"	42"	12"	1	0	3
W2442B	24"	42"	12"	2	0	3
W2742B	27"	42"	12"	2	0	3
W3042B	30"	42"	12"	2	0	3
W3342B	33"	42"	12"	2	0	3
W3642B	36"	42"	12"	2	0	3

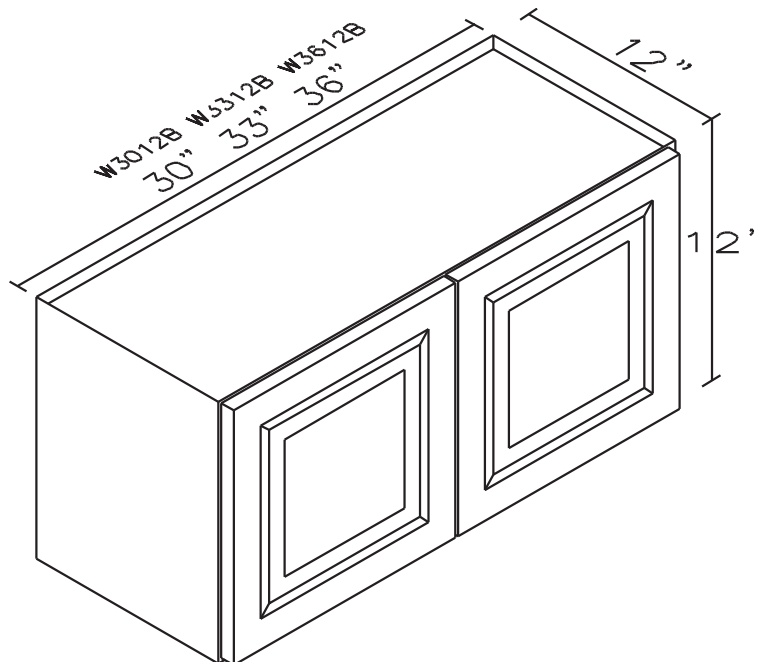


*Each W1530 (in W6030-open) has 2 shelves and 1 open shelf in center

SPEC SHEET 2 (WALL CABINETS)



Item#	Width	Height	Depth	Door	Drawer	Shelf
W3012B	30"	12"	12"	2	0	0
W3312B	33"	12"	12"	2	0	0
W3612B	36"	12"	12"	2	0	0
W361224B	36"	12"	24"	2	0	0
W2415B	24"	15"	12"	2	0	0
W3015B	30"	15"	12"	2	0	0
W301524B	30"	15"	24"	2	0	0
W3315B	33"	15"	12"	2	0	0
W3615B	36"	15"	12"	2	0	0
W361524B	36"	15"	24"	2	0	0
W2418B	24"	18"	12"	2	0	0
W3018B	30"	18"	12"	2	0	0
W3318B	33"	18"	12"	2	0	0
W3618B	36"	18"	12"	2	0	0
W361824B	36"	18"	24"	2	0	0
W2424B	24"	24"	12"	2	0	1
W3024B	30"	24"	12"	2	0	1
W302424B	30"	24"	24"	2	0	1
W3324B	33"	24"	12"	2	0	1
W332424B	33"	24"	24"	2	0	1
W3624B	36"	24"	12"	2	0	1
W362424B	36"	24"	24"	2	0	1



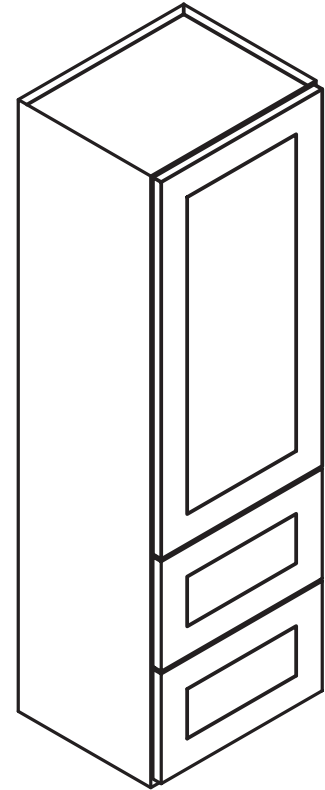
*All Glass Doors come without hinges (no hinges)

SPEC SHEET 3 (WALL CABINETS)

Item#	Width	Height	Depth	Door	Drawer	Shelf
WDC2430	24"	30"	12"	1	0	2
WDC2436	24"	36"	12"	1	0	2
WDC2442	24"	42"	12"	1	0	3
WDC273615	27"	36"	15"	1	0	2
WDC274215	27"	42"	15"	1	0	3
WBLC30/33-3030	30"	30"	12"	1	0	2
WBLC30/33-3036	30"	36"	12"	1	0	2
WBLC30/33-3042	30"	42"	12"	1	0	3
WBLC39/42-3630	36"	30"	12"	1	0	2
WBLC39/42-3636	36"	36"	12"	1	0	2
WBLC39/42-3642	36"	42"	12"	1	0	3

- Max Pull to 42"W (with 9"W center board)
- With double (2) doors on WBLCxxx (except CYOF, K-series)
- Specify door Right or Left when ordering (not blind)

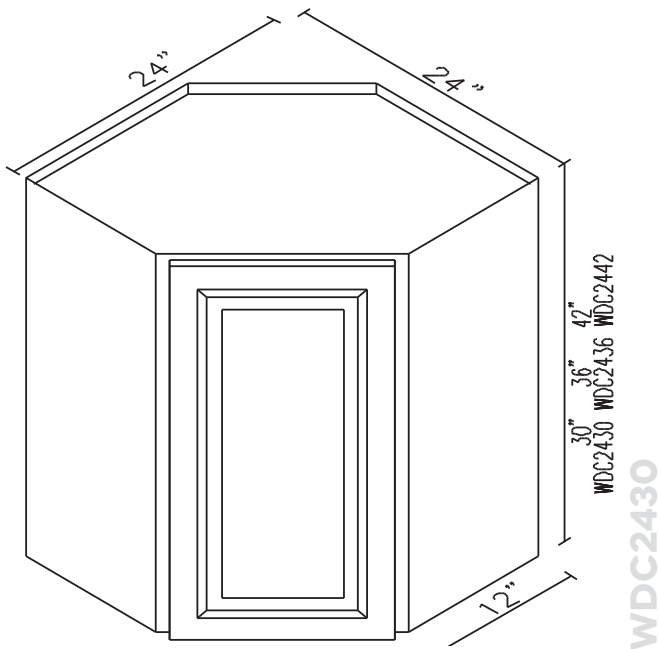
Door Size (Width):
 • All Styles 11-3/16"



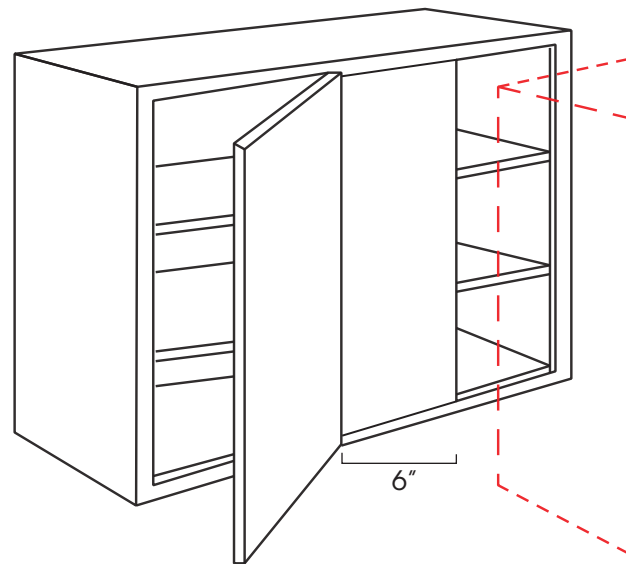
W2D1848-1860

Item#	Width	Height	Depth	Door	Drawer	Shelf
W2D1848	18"	48"	12"	1	2	2
W2D1854	18"	54"	12"	1	2	2
W2D1860	18"	60"	12"	1	2	3

W2Dxxxx, tracks are NOT soft closing



WDC2430

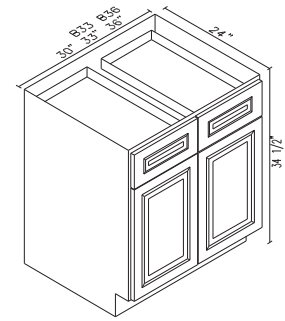


WBLCXX/XX-XXXX

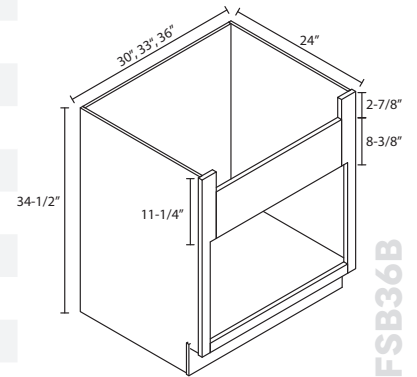
SPEC SHEET 4 (BASE CABINETS)



Item#	Width	Height	Depth	Door	Drawer	Shelf
BFP09	9"	34-1/2"	24"	1	0	0
FB09	9"	34-1/2"	24"	1	0	1
B09	9"	34-1/2"	24"	1	1	1
B12	12"	34-1/2"	24"	1	1	1
B15	15"	34-1/2"	24"	1	1	1
B18	18"	34-1/2"	24"	1	1	1
B21	21"	34-1/2"	24"	1	1	1
B24B	24"	34-1/2"	24"	2	1	1
B27B	27"	34-1/2"	24"	2	1	1
B30B*	30"	34-1/2"	24"	2	1	1
B33B	33"	34-1/2"	24"	2	2	1
B36B	36"	34-1/2"	24"	2	2	1
B42	42"	34-1/2"	24"	2	2	1
B48	48"	34-1/2"	24"	2	2	1
SB24	24"	34-1/2"	24"	2	0	0
SB27B	27"	34-1/2"	24"	2	0	0
SB30B	30"	34-1/2"	24"	2	0	0
SB33B	33"	34-1/2"	24"	2	0	0
SB36B	36"	34-1/2"	24"	2	0	0
SB42	42"	34-1/2"	24"	2	0	0
SB48D-2	48"	34-1/2"	24"	2	2	0
SB60B	60"	34-1/2"	24"	4	2	0
W4830B-3	48"	30"	12"	3	0	2
W6030-OPEN	60"	15"/30"	12"	4	0	5
FSB30B	30"	34-1/2"	24"	2	0	0
FSB33B	33"	34-1/2"	24"	2	0	0
FSB36B	36"	34-1/2"	24"	2	0	0

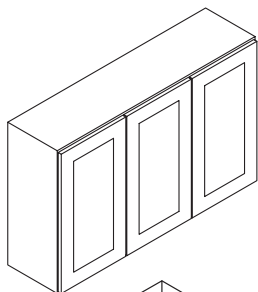


B36B

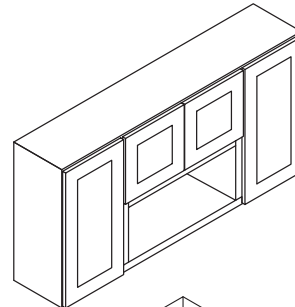


FSB36B

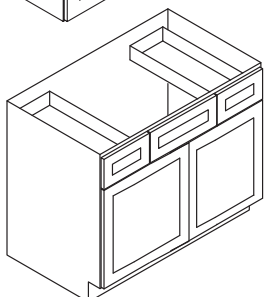
*30" W base with single drawer is new specification, bases may ship with 2 drawers until old inventory is phased out. Replacement and special requests will not be honored regarding drawer selection.



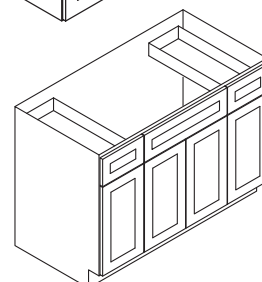
W4830D-2



W6030-OPEN



SB48D-2



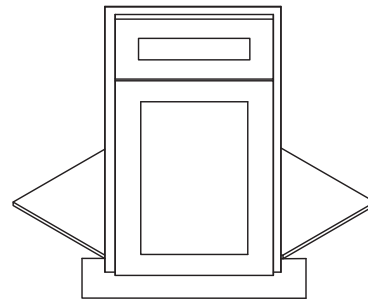
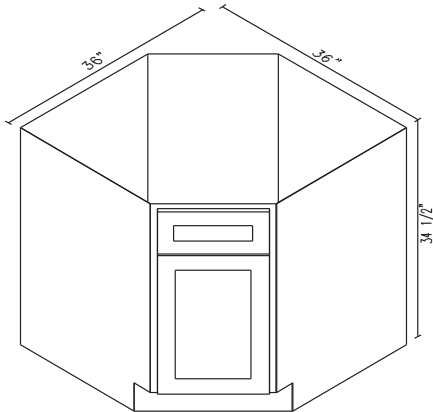
SB60B

SPEC SHEET 5 (BASE CABINETS)

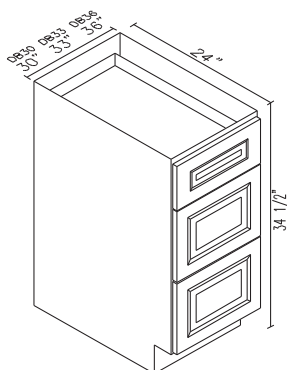
Item#	Width	Height	Depth	Door	Drawer	Shelf
DB12(3)	12"	34-1/2"	24"	0	3	0
DB15(3)	15"	34-1/2"	24"	0	3	0
DB18(3)	18"	34-1/2"	24"	0	3	0
DB21(3)	21"	34-1/2"	24"	0	3	0
DB24(3)	24"	34-1/2"	24"	0	3	0
DB30(3)	30"	34-1/2"	24"	0	3	0
DB36(3)	36"	34-1/2"	24"	0	3	0
DB15(4)	15"	34-1/2"	24"	0	3	0
DB18(4)	18"	34-1/2"	24"	0	3	0
BDCF36	36"	34-1/2"	24"	1	0	1
BDCF36K-FL	36"	34-1/2"	24"	1	0	0

*Drawer front, door, toe kick, and floor panel only,
not full cabinet*

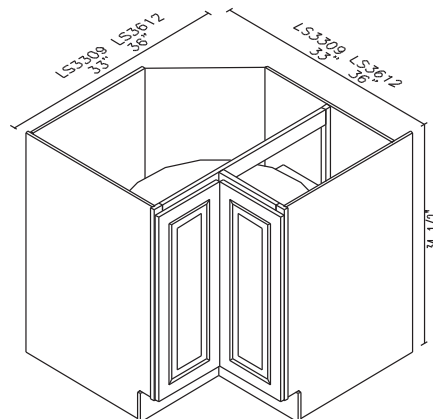
LS3309	33"	34-1/2"	33"	1	0	0
LS3612	36"	34-1/2"	36"	1	0	0
<i>Bi-Fold Door, Includes rolling trays</i>						
LS3612S (EZR3612)	36"	34-1/2"	36"	1	0	1
<i>EZ Reach shelf, no tray.</i>						



BDCF36K-FL



DB12(3)

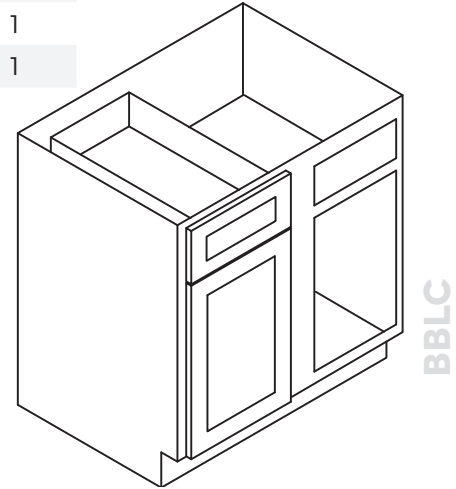


LS3309 / LS3612

SPEC SHEET 6 (BASE CABINETS)

Item#	Width	Height	Depth	Door	Drawer	Shelf
BBLC39/42-36" W	36"	34-1/2"	24"	1	1	1
BBLC42/45-39" W	39"	34-1/2"	24"	1	1	1
BBLC45/48-42" W	42"	34-1/2"	24"	1	1	1

• Specify door Right or Left when ordering (not blind)



BBLC39/42-36" W

(Min. Pull from: 39" W to 42" W)

Dimension	All styles
A	36"
B	11-3/4"
C	11-9/16"
D	8-7/8"
E	24-1/4"
F	13-3/4"

BBLC42/45-39" W

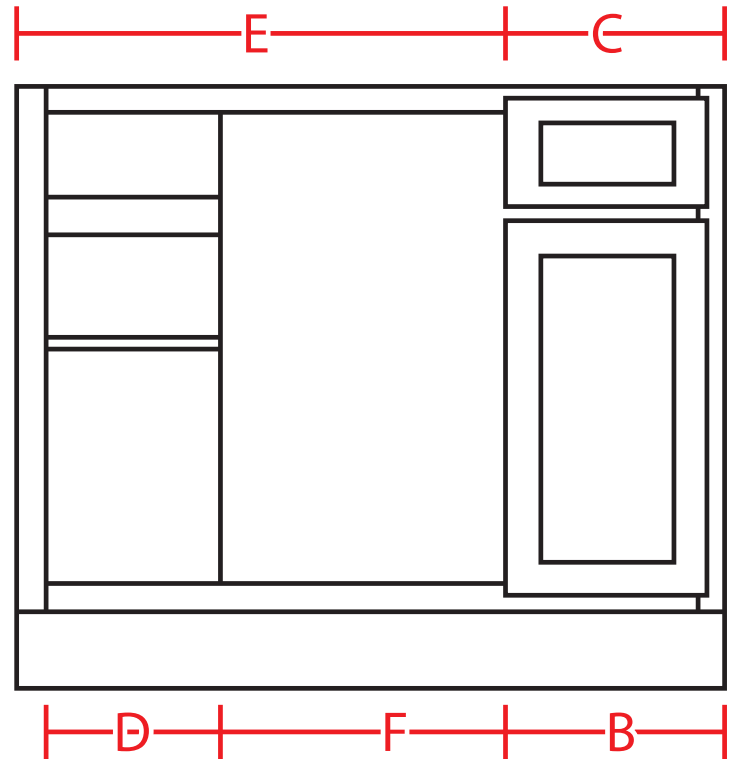
(Min. Pull from: 42" W to 45" W)

Dimension	All styles
A	39"
B	14-3/4"
C	14-9/16"
D	11-7/8"
E	24-1/4"
F	10-3/4"

BBLC45/48-42" W

(Min. Pull from: 45" W to 48" W)

Dimension	All styles
A	42"
B	17-3/4"
C	17-1/2"
D	14-7/8"
E	24-1/4"
F	7-3/4"

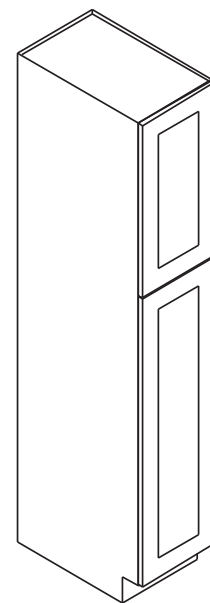


SPEC SHEET 7 (SPECIAL CABINETS, WALL PANTRY AND OVEN CABINETS)

Item#	Width	Height	Depth	Door	Drawer	Shelf
WES530	5"	30"	11-1/2"	0	0	2
WES536	5"	36"	11-1/2"	0	0	2
WES542	5"	42"	11-1/2"	0	0	3
<i>WESxxxx are rounded shelves</i>						
AW30	12"	30"	12"	1	0	2
AW36	12"	36"	12"	1	0	2
AW42	12"	42"	12"	1	0	3
<i>AWxx Door Width is 16-7/16"</i>						
BTC12R	12"	34-1/2"	24 to 12"	1	0	1
BTC12L	12"	34-1/2"	12 to 24"	1	0	1
W3018WR	30"	18"	12"	0	0	0
TCR21-2 (Fits B18 or B21)	13-3/4"	16"	21"	0	0	0
WC630-12	6"	30"	12"		5 cubes	
WC636-12	6"	36"	12"		6 cubes	
WC642-12	6"	42"	12"		7 cubes	

WALL PANTRY AND OVEN CABINETS

Item#	Width	Height	Depth	Door	Drawer	Shelf
WP1584	15"	84"	24"	2	0	1+3*
WP1590	15"	90"	24"	2	0	1+5*
WP1596	15"	96"	24"	2	0	1+6*
WP1884	18"	84"	24"	2	0	1+3*
WP1890	18"	90"	24"	2	0	1+5*
WP1896	18"	96"	24"	2	0	1+6*
WP2484B	24"	84"	24"	4	0	1+3*
WP2490B	24"	90"	24"	4	0	1+5*
WP2496B	24"	96"	24"	4	0	1+6*
OC3384B	33"	84"	24"	2	3	0
OC3390B	33"	90"	24"	2	3	0
OC3396B	33"	96"	24"	2	3	1
OM3384B	33"	84"	24"	2	1	0
OM3390B	33"	90"	24"	2	1	0
OM3396B	33"	96"	24"	2	1	1



WP1896

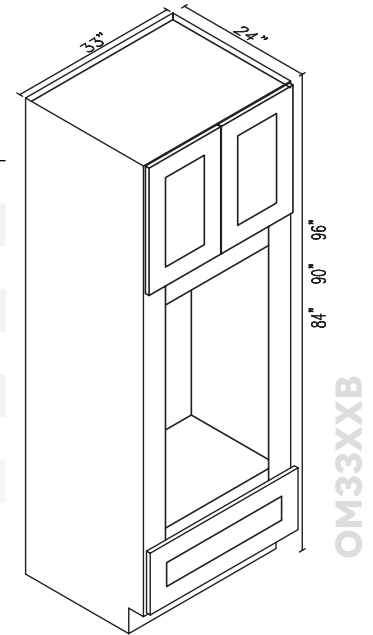
SPEC SHEET 8 (WALL PANTRY AND OVEN CABINETS)



WALL PANTRY DOOR SIZES*

ALL OTHER STYLES

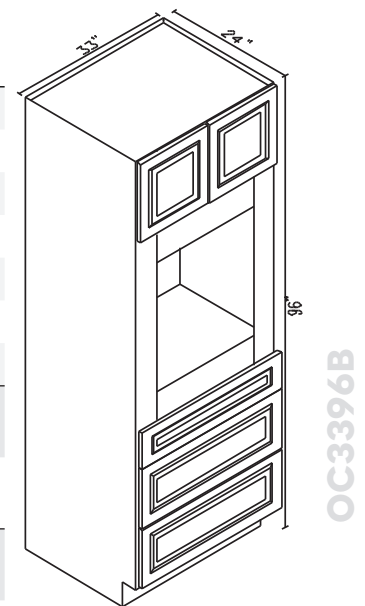
WP1584	14-1/2"	29-5/16"	49-1/4"
WP1590	14-1/2"	35-5/16"	49-1/4"
WP1596	14-1/2"	41-5/16"	49-1/4"
WP1884	17-9/16"	29-5/16"	49-1/4"
WP1890	17-9/16"	35-5/16"	49-1/4"
WP1896	17-9/16"	41-5/16"	49-1/4"
WP2484B	11-11/16"	29-5/16"	49-1/4"
WP2490B	11-11/16"	35-5/16"	49-1/4"
WP2496B	11-11/16"	41-5/16"	49-1/4"



OVEN CABINET SIZES*

ALL STYLES

Item #	Openings	Door Height	Door Width
OC3384B	24"W x 24"H	20-5/16"	16-1/4"
OC3390B	24"W x 24"H	23-5/16"	16-1/4"
OC3396B	24"W x 24"H	29-5/16"	16-1/4"
OM3384B	24"W x 42"H	26-1/4"	16-1/4"
OM3390B	24"W x 42"H	32-1/4"	16-1/4"
OM3396B	24"W x 42"H	38-1/4"	16-1/4"
	Top Drawer Height	2 nd & 3 rd Drawer Height	Drawer Width
CYOF & K-Series	6-1/4"	11-5/16"	32-1/2"
All Other Door Styles	6-11/16"	11-1/16"	32-1/2"
OM33XX	6-3/4"	N/A	32-1/2"



* 1+X=One fixed shelf + X adjustable shelves

SPEC SHEET 9 (GLASS DOORS*)

Item#	PC		ALL OTHER STYLES	
	Width	Height	Width	Height
W3012BGD (2pc)	-	-	14-11/16"	11-5/16"
W1530GD (1pc)	14-5/8"	29"	14-1/2"	29-5/16"
W1530MGD (1pc)	14-5/8"	29"	14-1/2"	29-5/16"
W1830GD (1pc)	17-5/8"	29"	17-1/2"	29-5/16"
W1830MGD (1pc)	17-5/8"	29"	17-1/2"	29-5/16"
W2430BGD (2PC)	23-5/8"	29"	23-1/2"	29-5/16"
W2430BMGD (2PC)	23-5/8"	29"	23-1/2"	29-5/16"
W3030BGD (2pcs/set)	14-3/4"	29"	14-11/16"	29-5/16"
W3030BMGD (2pcs/set)	14-3/4"	29"	14-11/16"	29-5/16"
W3630BGD (2pcs/set)	17-3/4"	29"	17-11/16"	29-5/16"
W3630BMGD (2pcs/set)	17-3/4"	29"	17-11/16"	29-5/16"
WDC2430GD (1pc)	14-3/4"	29"	14-15/16"	29-5/16"
WDC2430MGD (1pc)	14-3/4"	29"	14-15/16"	29-5/16"
W1536GD (1pc)	14-5/8"	34-15/16"	14-1/2"	35-5/16"
W1536MGD (1pc)	14-5/8"	34-15/16"	14-1/2"	35-5/16"
W1836GD (1pc)	17-5/8"	34-15/16"	17-1/2"	35-5/16"
W1836MGD (1pc)	17-5/8"	34-15/16"	17-1/2"	35-5/16"
W2436BGD (2PC)	23-5/8"	34-15/16"	23-1/2"	35-5/16"
W2436BMGD (2PC)	23-5/8"	34-15/16"	23-1/2"	35-5/16"
W3036BGD (2pcs/set)	14-3/4"	34-15/16"	14-11/16"	35-5/16"
W3036BMGD (2pcs/set)	14-3/4"	34-15/16"	14-11/16"	35-5/16"
W3636BGD (2pcs/set)	17-3/4"	34-15/16"	17-11/16"	35-5/16"
W3636BMGD (2pcs/set)	17-3/4"	34-15/16"	17-11/16"	35-5/16"
WDC2436GD (1pc)	14-3/4"	34-15/16"	14-15/16"	35-5/16"
WDC2436MGD (1pc)	14-3/4"	34-15/16"	14-15/16"	35-5/16"
WDC273615GD (1pc)	14-3/4"	34-15/16"	14-15/16"	35-5/16"
WDC273615MGD (1pc)	14-3/4"	34-15/16"	14-15/16"	35-5/16"
W1542GD (1pc)	14-5/8"	41"	14-1/2"	41-5/16"
W1542MGD (1pc)	14-5/8"	41"	14-1/2"	41-5/16"
W1842GD (1pc)	17-5/8"	41"	17-1/2"	41-5/16"
W1842MGD (1pc)	17-5/8"	41"	17-1/2"	41-5/16"
W2442BGD (2PC)	23-5/8"	41"	23-1/2"	41-5/16"
W2442BMGD (2PC)	23-5/8"	41"	23-1/2"	41-5/16"
W3042BGD (2pcs/set)	14-3/4"	41"	14-11/16"	41-5/16"
W3042BMGD (2pcs/set)	14-3/4"	41"	14-11/16"	41-5/16"
W3642BGD (2pcs/set)	17-3/4"	41"	17-11/16"	41-5/16"
W3642BMGD (2pcs/set)	17-3/4"	41"	17-11/16"	41-5/16"
WDC2442GD (1pc)	14-3/4"	41"	14-11/16"	41-5/16"
WDC2442MGD (1pc)	14-3/4"	41"	14-11/16"	41-5/16"
WDC274215GD (1pc)	14-3/4"	41"	14-11/16"	41-5/16"
WDC274215MGD (1pc)	14-3/4"	41"	14-11/16"	41-5/16"

* Cabinets sold separately

SPEC SHEET 10 (RANGE HOODS, PANELS)



EPW1230D	11-13/16"	29"	11-1/2"	29-5/16"
EPW1236D	11-13/16"	34-15/16"	11-1/2"	35-5/16"
EPW1242D	11-13/16"	41"	11-1/2"	41-5/16"
EPB24D	23-13/16"	29-5/16"	23-3/4"	29-5/16"
EPWP2484D—Top Door	23-13/16"	29"	23-3/4"	29-5/16"
—Middle/bottom Doors	23-13/16"	54"	23-3/4"	49-1/4"
EPWP2490D—Top Door	23-13/16"	34-15/16"	23-3/4"	35-5/16"
—Middle/bottom Doors	23-13/16"	54"	23-3/4"	49-1/4"
EPWP2496D—Top Door	23-13/16"	41"	23-3/4"	41-5/16"
—Middle/bottom Doors	23-13/16"	54"	23-3/4"	49-1/4"

Item#	Width	Height	Depth	Door	Drawer	Shelf
AWH36	36"	24"	8"	0	0	0
MWO3018PM-12"	30"	18"	12"	0	0	1

Shelf Depth: 18", Opening: 14-1/8"H x 26-7/8"W

15RT-DR†	11"	2-7/8"	21"	0	0	0
18RT-DR†	14"	2-7/8"	21"	0	0	0
24RT-DR†	20"	2-7/8"	21"	0	0	0
27RT-DR†	23"	2-7/8"	21"	0	0	0
30RT-DR†	26"	2-7/8"	21"	0	0	0
33RT-DR†	29"	2-7/8"	21"	0	0	0
36RT-DR†	32"	2-7/8"	21"	0	0	0

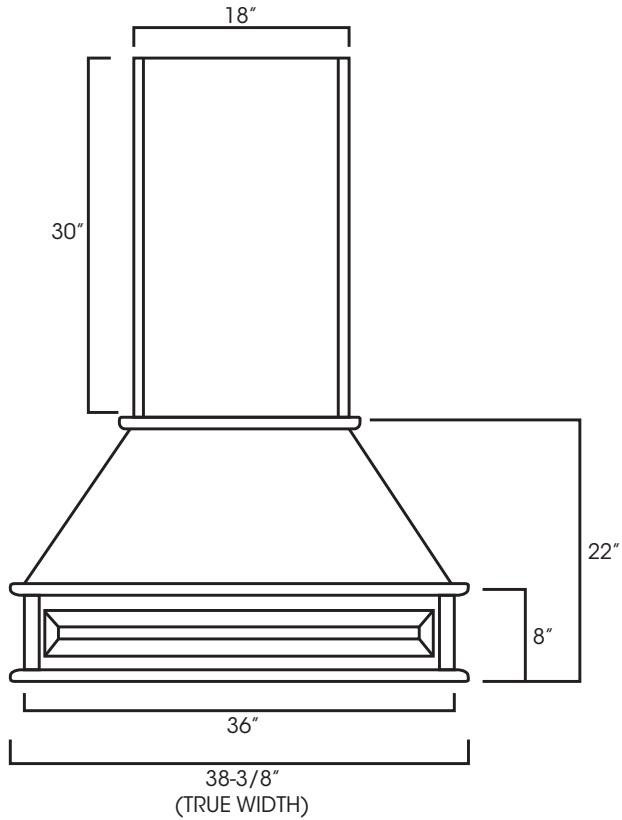
DWR33412	24"	34-1/2"	1/2"	1 Side Finish, 3" return (not attached)		
REP2484-3/4"	24"	84"	3/4"	2 Sides Finish (Banded Edge)		
REP2496-3/4"	24"	96"	3/4"	2 Sides Finish (Banded Edge)		
REP2484(3)-3/4"	24"	84"	3/4"	2 Sides Finish, 3" return (not attached)		
REP2496(3)-3/4"	24"	96"	3/4"	2 Sides Finish, 3" return (not attached)		
REP3096(3)-3/4"	30"	96"	3/4"	1 Sides Finish, 3" return (not attached)		
FBP489614(1)	96"	48"	1/4"	1 Side Finish (Vertical Grain)		
BP48341214	48"	34-1/2"	1/4"	1 Side Finish		
VAS48	48"	4-5/8"				

*The back of the drawer unit will not be dovetailed after modification.

†Dovetail box

SPEC SHEET 11 (RANGE HOODS)

Item#	Width	Height	Depth
CWH36*	36" (38-3/8")	22"+30"	20-1/2"



CWH36

*Trimable, All hoods will match door style

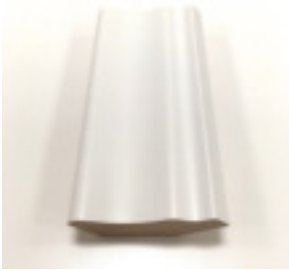
SPEC SHEET 12 (TRIM DETAILS)



Item#	Width	Height	Depth	
VAD3612	36"	12"/8"		
VAD4212	42"	12"/8"		
VAD4812	48"	12"/8"		
VAL48B	48"	6"		<i>Trimable 6" on both sides</i>
VAL54B	54"	6"		<i>Trimable 6" on both sides</i>
VAL48S	48"	6"		<i>Trimable 6" on both sides</i>
VAL54S	54"	6"		<i>Trimable 6" on both sides</i>
CM96 (Plain)	2-1/2"	96"		
CM96-4 (Plain)	4-1/2"	96"		
CM96B-4 (Egg&Dart)	4-1/2"	96"		<i>Egg & dart attached</i>
CM96C-4 (Rope)	4-1/2"	96"		<i>Rope attached</i>
CM96H-4	4-1/2"	96"		
CM96E-4	4-1/2"	96"		
CM96K-4 (Coved)	4-1/2"	96"		
TP3/WF34-1/2"	3"	34-1/2"	3"	<i>Full leg. Comes with Wall Filler 3"x34-1/2"</i>
LEG28 B3x3 (SL ONLY)	3"	36-1/2"	3"	<i>Full leg. Must trim 2" off top or bottom.</i>
LEG75 B3x3	3"	36-1/2"	3"	<i>Full leg. Must trim 2" off top or bottom.</i>
LEG81	3"	34-1/2"	3"	<i>Full Leg</i>
LEG82	3"	34-1/2"	1-1/2"	<i>1/2 Leg.</i>
LEG83*	3"	34-1/2"	1-1/2"	<i>1/2 Leg</i>
LEG-SMALL51	3"	4-1/2"	1-1/2"	<i>1/2 Leg</i>
LEG-SMALL52	3"	4-1/2"	1-1/2"	<i>1/2 Leg</i>
POLE28-B3 (SL ONLY)	3"	36-1/2"	3"	<i>Must trim 2" off top or bottom</i>
POLE28-W330 (SL ONLY)	3"	30"	2-1/4"	
POLE28-W336 (SL ONLY)	3"	36"	2-1/4"	
POLE28-W342 (SL ONLY)	3"	42"	2-1/4"	
POLE28-T384 (SL ONLY)	3"	84"	2-1/4"	<i>Trimable to different length & depth</i>
POLE28-T390 (SL ONLY)	3"	90"	2-1/4"	<i>Trimable to different length & depth</i>
POLE28-T396 (SL ONLY)	3"	96"	2-1/4"	<i>Trimable to different length & depth</i>
POLE75-B3	3"	36-1/2"	3"	<i>Must trim 2" off top or bottom</i>
POLE75-W330	3"	30"	2-1/4"	
POLE75-W336	3"	36"	2-1/4"	
POLE75-W342	3"	42"	2-1/4"	
POLE75-T384	3"	84"	2-1/4"	<i>Trimable to different length & depth</i>
POLE75-T390	3"	90"	2-1/4"	<i>Trimable to different length & depth</i>
POLE75-T396	3"	96"	2-1/4"	<i>Trimable to different length & depth</i>
CFC96*	3"	96"	2-1/4"	<i>Trimable to different length & depth</i>

SPEC SHEET 12 (TRIM DETAILS)

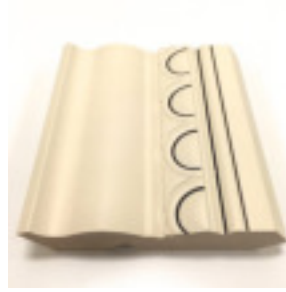
Crown molding details applied. No installation required



CM96



CM96-4



CM96B-4



CM96C-4



CM96E-4



CM96H-4



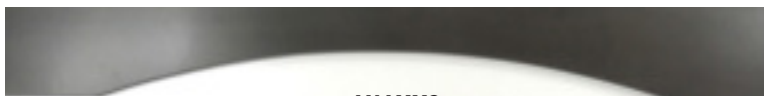
CM96K-4



VADXXXX



VALXXB



VALXXS



VAS48

SPEC SHEET 12 (TRIM DETAILS)



**TP3
(FILLER INCLUDED)**



**LEG 81
FULL LEG**



**LEG 82
HALF LEG**



**LEG 83
HALF LEG**



**LEG SMALL 51
HALF LEG**



**LEG SMALL 52
HALF LEG**



**LEG 28
FULL LEG**



**POLE28-B3
HALF LEG**



**POLE28-WFXXX
HALF LEG**



**LEG 75
FULL LEG**



**POLE75-B3
HALF LEG**



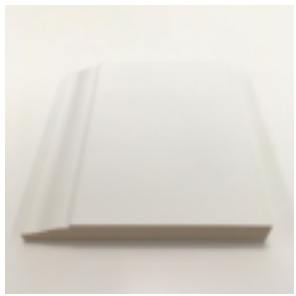
**POLE75-WFXXX
HALF LEG**

SPEC SHEET 13 (TRIM DETAILS)

Item#	Width	Height	Depth
DOA	19-7/8"	4-1/4"	
CORBEL54	3"	6"	4"
CORBEL55	3"	6"	4"
CORBEL56	3"	6"	4"
CORBEL57	3"	9"	6"
CORBEL59	3"	9"	6"
CORBEL60S	5"	10"	5"
CORBEL60L	7"	17"	7"
CORBEL75S	3-3/4"	6-1/2"	3-1/2"
CORBEL75M	5-1/4"	12-1/2"	4-1/2"
CORBEL75L	3-1/2"	12-1/2"	8"
SC4	3/4"	3/4"	96"
SC5*	1/4"	3/4"	96"
SC1-3*	1/4"	3/4"	96"
SC6	1/2"	3/4"	96"
SC8	1/4"	3/4"	96"
LRM8*	1-1/2"	1"	96"
TLRM8*	1-1/2"	2-1/4"	96"
BM4-1/2"-5/8"*	5/8"	4-1/2"	96"
TK8	1/4"	4-1/2"	96"



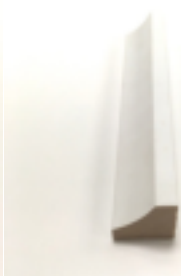
DOA



BM4



SC1



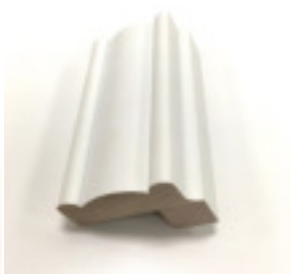
SC4



SC5



LRM8



TLRM8



SMALL: **CORBEL 54**
LARGE: **CORBEL 59**
Raised Center



CORBEL 55
CORBEL 58



CORBEL 56
CORBEL 57



SMALL
CORBEL 75S, 75M, 75L
Recessed Center



CORBEL 60S
CORBEL 60L

SPEC SHEET 14 (TRIM DETAILS)



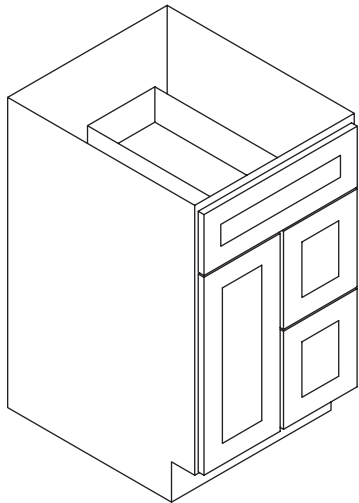
Item#	Width	Height	Depth	
WF3-3/4	3"	30"	3/4"	
WF336-3/4	3"	36"	3/4"	
WF342-3/4	3"	42"	3/4"	
WF384-3/4	3"	84"	3/4"	
WF396-3/4	3"	96"	3/4"	
WF6-3/4	6"	30"	3/4"	
WF642-3/4	6"	42"	3/4"	
WF696-3/4	6"	96"	3/4"	
BF3-3/4	3"	34-1/2"	3/4"	
BF6-3/4	6"	34-1/2"	3/4"	
A30WF	3"	30"	3/4"	
A36WF	3"	36"	3/4"	
A42WF	3"	42"	3/4"	
A3BF	3"	34-1/2"	3/4"	
A6BF	6"	34-1/2"	3/4"	
CLB334-1/2	3"	34-1/2"	24"	
CLW330	3"	30"	15"	<i>Trimnable to different height, width</i>
CLW336	3"	36"	15"	<i>Trimnable to different height, width</i>
CLW342	3"	42"	15"	<i>Trimnable to different height, width</i>
CLW396	3"	96"	27"	<i>Trimnable to different height, width</i>
OLF330	2-1/2"	29-1/4"	3/4"	
OLF336	2-1/2"	35-1/4"	3/4"	
OLF342	2-1/2"	41-1/4"	3/4"	
OLF630	5-1/2"	29-1/4"	3/4"	
OLF636	5-1/2"	35-1/4"	3/4"	
OLF642	5-1/2"	41-1/4"	3/4"	
OLF384	2-1/2"	78-3/4"	3/4"	
OLF390	2-1/2"	84-3/4"	3/4"	
OLF396	2-1/2"	90-3/4"	3/4"	

SPEC SHEET 15 (VANITIES)

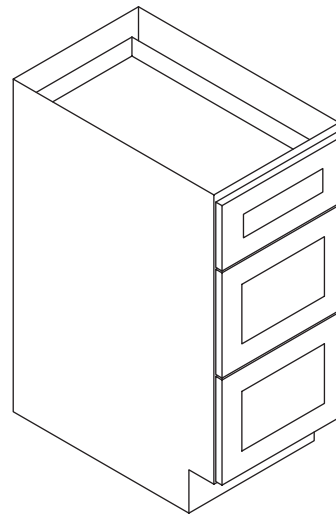
Item#	Width	Height	Depth	Door	Drawer
S2421B	24"	30"	21"	2	0
S2421B-34-1/2"	24"	34-1/2"	21"	2	0
S3021B-34-1/2"	30"	34-1/2"	21"	2	0
S3621B-34-1/2"	36"	34-1/2"	21"	2	0
S3021DL-34-1/2"	30"	34-1/2"	21"	1	2
S3021DR-34-1/2"	30"	34-1/2"	21"	1	2
S3621BDL-34-1/2" *	36"	34-1/2"	21"	2	2
S3621BDR-34-1/2" *	36"	34-1/2"	21"	2	2
S4821B12D-34-1/2"	48"	34-1/2"	21"	4	2

1 B12 Left drawer and 1 B12 Right drawer, Center is SB24 with header in center

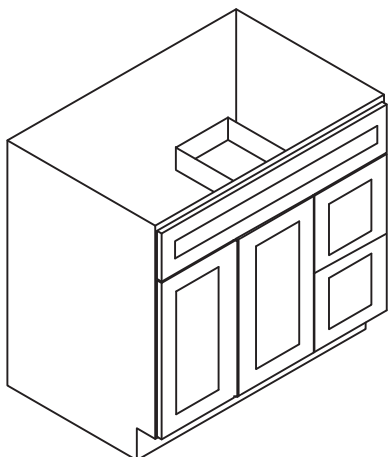
SVB1221-34-1/2"	12"	34-1/2"	21"	0	3
SVB1521-34-1/2"	15"	34-1/2"	21"	0	3
SVDU3021-7"	30"	7"	21"	0	0



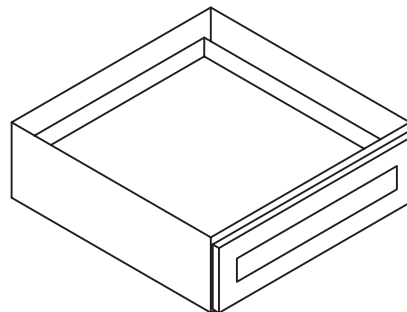
S3021DR



SVB1221/1521



S3621BDR



SVDU3021-7

*24" doors + 12" drawer



PACKAGES

SAMPLE PACKAGES*

Company Name _____ PO# _____ Date _____

Ship to: _____

Pick up _____ Delivery _____ K/D _____ Assembled† _____

Choice of one package per dealer per store- please check one of the following two sets:

PACKAGE 1 – MINI SINK BASE FRONT PACK

Sink Base Mini Front Pack - \$425/pack

- 1 pc per style -16 pcs total
- Credit refund \$300

TSG Sample Bag - \$80/each

- Holds 6 pcs
- Wheels glide on sealed bearings
- No credit refund

PACKAGE 2 – SB MINI & B15 SET

Sink Base Mini Front Pack - \$720/pack

- 1 pc per style and your choice of up to any 2 pcs B15
- Assembly fee included
- 16 sample fronts & 2 cabinets
- Will send assembled unless specified
- Price is the same for K/D or assembled
- Credit refund \$300 only



Please indicate B15 selection, and K/D or assembled:

TS	<input type="checkbox"/>	AK	<input type="checkbox"/>	MR	<input type="checkbox"/>	KW	<input type="checkbox"/>	AN	<input type="checkbox"/>
KC	<input type="checkbox"/>	AP	<input type="checkbox"/>	SB	<input type="checkbox"/>	GW	<input type="checkbox"/>	TG	<input type="checkbox"/>
KM	<input type="checkbox"/>	AW	<input type="checkbox"/>	SL	<input type="checkbox"/>	TW	<input type="checkbox"/>		<input type="checkbox"/>
KE	<input type="checkbox"/>	AG	<input type="checkbox"/>						<input type="checkbox"/>

K/D
Assembled



*All samples and displays are nonrefundable. All sample package purchases are credited back to account upon first standard order over \$1000 (\$1000 includes paid product costs only. Service & freight charges do not apply). All sample packages include freight. Sample packages are limited to one sample package per dealer per store at above pricing. Credit refunded only on first sample package per dealer per store, samples must be paid for to receive credit. All additional samples are invoiced at \$25/each and nonrefundable. Additional new line samples ship free if sample package has been ordered.

† Assembly fees not included or refundable, \$18/each.

DISPLAY PACKAGES*



Company Name _____ PO# _____ Date _____

Ship to _____

Pick up _____ Delivery _____ K/D _____ Assembled† _____

Choice of one package per dealer per store- please check one of the following sets:

PACKAGE 1 – W15XX & B15 SET (32 PCS)

(1) W1530 and (1) B15 in each style
• 16 styles; total 32 cabinets

K/D - \$1550
 Assembled - \$1900

(1) W1542 and (1) B15 in each style
• 16 styles; total 32 cabinets

K/D - \$1800
 Assembled - \$2100

PACKAGE 2 – FULL DISPLAY

Customer designs and creates their own Forevermark Cabinetry display. TSG/Forevermark provides 50% discount up to \$1000 per display per door style. To place your order, please use order forms and check "display".

All displays are billed at 50% after multiplier, up to \$1000 off. Discount is off product cost only, does not apply to service, modification, assembly, and/or freight charges.

Example 1: AW display order is \$2000, dealer is billed \$1000.

Example 2: AK display order is \$900, dealer is billed \$450.

Example 3: SL display order is \$2300, dealer is billed \$1300.

*All samples and displays are nonrefundable. Display subject to verification by sales representative. If display is found not to be used for its intended purposes, TSG/Forevermark Cabinetry reserves the right to revoke any applied discounts and charge dealer for full amount of display. Display discounts are not applicable for model homes or projects. Choice of (1) display package per customer per store, dealer cannot choose both display package option. #1 and #2 for a single location. Freight is not included in above pricing. Additional new line samples ship free if sample package has been ordered.

† Assembly fees not included or refundable, \$18/each.





ORDER FORM (SILVER 2)

For orders: Orders@tsgcabinets.com
 For claims: Claims@tsgcabinets.com
 For billing: Billing@tsgcabinets.com
 For shipping: Shipping@tsgcabinets.com
 Fax Orders: (732)372-7669

Customer* _____

Ship To* _____

Date _____ PO# _____ Display Order

Pick up Delivery Arrange own shipping via CARRIER Arrange own shipping via GROUND Residential

Please check box to select style:

<input type="checkbox"/> K-CHERRY GLAZE (KC)	<input type="checkbox"/> K-CINNAMON GLAZE (KM)	<input type="checkbox"/> K-ESPRESSO (KE)
Standard Features on all styles:		
<ul style="list-style-type: none"> • Dovetail drawer box • NEW Upgrade - Undermount full extension drawer glide 	<ul style="list-style-type: none"> • Metal Shelf Clips • Soft close drawer glide** • NEW Upgrade - Soft close door hinge** 	
<input type="checkbox"/> Assembled		<input type="checkbox"/> K/D

QTY	
<input type="checkbox"/>	W0930
<input type="checkbox"/>	W1230
<input type="checkbox"/>	W1530
<input type="checkbox"/>	W1830
<input type="checkbox"/>	W2130
<input type="checkbox"/>	W2430B
<input type="checkbox"/>	W2730B
<input type="checkbox"/>	W3030B
<input type="checkbox"/>	W3030BMGD (2pcs) ††
<input type="checkbox"/>	W3330B
<input type="checkbox"/>	W3630B
<input type="checkbox"/>	W6030-OPEN (KC, KM)

QTY	
<input type="checkbox"/>	W0942
<input type="checkbox"/>	W1242
<input type="checkbox"/>	W1542
<input type="checkbox"/>	W1842
<input type="checkbox"/>	W2142
<input type="checkbox"/>	W2442B
<input type="checkbox"/>	W2742B
<input type="checkbox"/>	W3042B
<input type="checkbox"/>	W3042BMGD††(2pcs)
<input type="checkbox"/>	W3342B
<input type="checkbox"/>	W3642B

QTY	
<input type="checkbox"/>	W3012B
<input type="checkbox"/>	W3612B
<input type="checkbox"/>	W3015B
<input type="checkbox"/>	W3315B
<input type="checkbox"/>	W3615B
<input type="checkbox"/>	W2418B
<input type="checkbox"/>	W3018B
<input type="checkbox"/>	W3318B
<input type="checkbox"/>	W3618B
<input type="checkbox"/>	W2424B
<input type="checkbox"/>	W3024B
<input type="checkbox"/>	W3324B
<input type="checkbox"/>	W3624B
<input type="checkbox"/>	W301524B
<input type="checkbox"/>	W301824B
<input type="checkbox"/>	W302424B
<input type="checkbox"/>	W331524B
<input type="checkbox"/>	W331824B
<input type="checkbox"/>	W361224B
<input type="checkbox"/>	W361524B
<input type="checkbox"/>	W361824B
<input type="checkbox"/>	W362424B

QTY	
<input type="checkbox"/>	WDC2430
<input type="checkbox"/>	WDC2430MGD††
<input type="checkbox"/>	WDC2436
<input type="checkbox"/>	WDC2436MGD††
<input type="checkbox"/>	WDC2442
<input type="checkbox"/>	WDC2442MGD††
<input type="checkbox"/>	WES530
<input type="checkbox"/>	WES536
<input type="checkbox"/>	WES542
<input type="checkbox"/>	AW30 (with door)
<input type="checkbox"/>	AW36 (with door)
<input type="checkbox"/>	AW42 (with door)

<input type="checkbox"/>	W0936
<input type="checkbox"/>	W1236
<input type="checkbox"/>	W1536
<input type="checkbox"/>	W1836
<input type="checkbox"/>	W2136
<input type="checkbox"/>	W2436B
<input type="checkbox"/>	W2736B
<input type="checkbox"/>	W3036B
<input type="checkbox"/>	W3036BMGD(2pcs)††
<input type="checkbox"/>	W3336B
<input type="checkbox"/>	W3636B

<input type="checkbox"/>	OC3384
<input type="checkbox"/>	OC3390
<input type="checkbox"/>	OC3396
Specify door Right or Left when ordering (not blind)	
<input type="checkbox"/>	WBLC30/33-3030L/R Door Right
<input type="checkbox"/>	WBLC30/33-3030L/R Door Left
<input type="checkbox"/>	WBLC30/33-3036L/R Door Right
<input type="checkbox"/>	WBLC30/33-3036L/R Door Left
<input type="checkbox"/>	WBLC30/33-3042L/R Door Right
<input type="checkbox"/>	WBLC30/33-3042L/R Door Left
<input type="checkbox"/>	*WBLC39/42-3630L Door Right (KC,KM)
<input type="checkbox"/>	*WBLC39/42-3630L Door Left (KC,KM)
<input type="checkbox"/>	*WBLC39/42-3636L Door Right (KM)
<input type="checkbox"/>	*WBLC39/42-3636L Door Left (KM)
<input type="checkbox"/>	*WBLC39/42-3642L Door Right (KM)
<input type="checkbox"/>	*WBLC39/42-3642L Door Left (KM)

<input type="checkbox"/>	W3018WR
<input type="checkbox"/>	MWO3018PM-12"
<input type="checkbox"/>	TCR21-2

* Minor adjustments to cabinet may be necessary depending on pull requirements.

** New incoming stock includes standard soft closing door hinges and soft close drawer glides. For an indeterminate transitional period, orders may include inventory with mixed specifications. Additional soft closing hinges and soft close drawer glides can be ordered separately upon request. Assembled orders will have glides upgraded automatically if necessary for uniformity.

***New incoming stock includes standard metal shelf clips. For an indeterminate transitional period, orders may include inventory with mixed specifications. Additional/replacement metal shelf clips will not be provided automatically, and are only available for purchase, upon request.

*Required fields

††Glass doors sold separately

ORDER FORM (SILVER 2, CONT.)

For orders: Orders@tsgcabinets.com
 For claims: Claims@tsgcabinets.com
 For billing: Billing@tsgcabinets.com
 For shipping: Shipping@tsgcabinets.com
 Fax Orders: (732)372-7669



Customer* _____ Date* _____
 Ship To* _____ PO# _____

Please check box to select style:

K-CHERRY GLAZE (KC) **K-CINNAMON GLAZE (KM)** **K-ESPRESSO (KE)**

QTY		QTY		QTY		QTY	
<input type="checkbox"/>	B09	<input type="checkbox"/>	WP1584 (KC,KM)	<input type="checkbox"/>	LRM8	<input type="checkbox"/>	DWR33412
<input type="checkbox"/>	B12	<input type="checkbox"/>	WP1590 (KC,KM)	<input type="checkbox"/>	TLRM8 (2-1/2")	<input type="checkbox"/>	REP2484-3/4
<input type="checkbox"/>	B15	<input type="checkbox"/>	WP1596 (KC,KM)	<input type="checkbox"/>	CM96	<input type="checkbox"/>	REP2496-3/4
<input type="checkbox"/>	B18	<input type="checkbox"/>	WP1884	<input type="checkbox"/>	CM96-4	<input type="checkbox"/>	REP2484(3)-3/4
<input type="checkbox"/>	B21	<input type="checkbox"/>	WP1890	<input type="checkbox"/>	CM96C-4	<input type="checkbox"/>	REP2496(3)-3/4
<input type="checkbox"/>	B24B	<input type="checkbox"/>	WP1896	<input type="checkbox"/>		<input type="checkbox"/>	REP3096(3)-3/4
<input type="checkbox"/>	B27B	<input type="checkbox"/>	WP2484B	<input type="checkbox"/>	Corbel 54	<input type="checkbox"/>	FBP483614(1) (KC,KM)
<input type="checkbox"/>	B30B	<input type="checkbox"/>	WP2490B	<input type="checkbox"/>	Corbel 55 (KM)	<input type="checkbox"/>	FBP369614(1) (KC,KM)
<input type="checkbox"/>	B33B	<input type="checkbox"/>	WP2496B	<input type="checkbox"/>	Corbel 56 (KM)	<input type="checkbox"/>	FBP489614(1)
<input type="checkbox"/>	B36B	<input type="checkbox"/>		<input type="checkbox"/>	Corbel 57 (KC,KM)	<input type="checkbox"/>	BP48341214
<input type="checkbox"/>	SB24B (KC,KM)	<input type="checkbox"/>	A30WF (Excluding KC)	<input type="checkbox"/>	Corbel 58 (KM)	<input type="checkbox"/>	S2421B-30" H (KC,KM)
<input type="checkbox"/>	SB27B	<input type="checkbox"/>	A36WF	<input type="checkbox"/>	Corbel 59	<input type="checkbox"/>	S2421B-34-1/2"
<input type="checkbox"/>	SB30B	<input type="checkbox"/>	A42WF	<input type="checkbox"/>	Corbel 60S (KC,KM)	<input type="checkbox"/>	S3021B-34-1/2"
<input type="checkbox"/>	SB33B	<input type="checkbox"/>	A3BF	<input type="checkbox"/>	Corbel 60L (KC,KM)	<input type="checkbox"/>	S3621B-34-1/2"
<input type="checkbox"/>	SB36B	<input type="checkbox"/>	A6BF (KC,KM)	<input type="checkbox"/>	TP3/WF34-1/2	<input type="checkbox"/>	S3021DL-34-1/2"
<input type="checkbox"/>	SB60B	<input type="checkbox"/>		<input type="checkbox"/>	Leg 81 (KM)	<input type="checkbox"/>	S3021DR-34-1/2"
<input type="checkbox"/>		<input type="checkbox"/>	WF3-3/4	<input type="checkbox"/>	Leg 82 (KM)	<input type="checkbox"/>	S3621BDL-34-1/2"
<input type="checkbox"/>	DB12(3)	<input type="checkbox"/>	WF336-3/4	<input type="checkbox"/>	Leg-Small 51 (KM)	<input type="checkbox"/>	S3621BDR-34-1/2"
<input type="checkbox"/>	DB15(3)	<input type="checkbox"/>	WF342-3/4	<input type="checkbox"/>	Leg-Small 52 (KC,KM)	<input type="checkbox"/>	SVB1221-34-1/2"
<input type="checkbox"/>	DB18(3)	<input type="checkbox"/>	WF384-3/4	<input type="checkbox"/>	VAS48	<input type="checkbox"/>	SVB1521-34-1/2"
<input type="checkbox"/>	DB21(3)	<input type="checkbox"/>	WF396-3/4	<input type="checkbox"/>	VAD3612		
<input type="checkbox"/>	DB24(3)	<input type="checkbox"/>	WF6-3/4	<input type="checkbox"/>	VAD4212		
<input type="checkbox"/>	DB30(3)	<input type="checkbox"/>	WF642-3/4	<input type="checkbox"/>	VAD4812		
<input type="checkbox"/>	Specify door Right or Left when ordering (not blind)	<input type="checkbox"/>	WF696-3/4	<input type="checkbox"/>	15RT-DR†		
<input type="checkbox"/>	BBLC39/42-36" Door Left	<input type="checkbox"/>	BF3-3/4	<input type="checkbox"/>	18RT-DR†		
<input type="checkbox"/>	BBLC39/42-36" Door Right	<input type="checkbox"/>	BF6-3/4	<input type="checkbox"/>	24RT-DR†		
<input type="checkbox"/>	BBLC42/45-39" Door Left	<input type="checkbox"/>	TK8	<input type="checkbox"/>	27RT-DR†		
<input type="checkbox"/>	BBLC42/45-39" Door Right	<input type="checkbox"/>	SC1-3	<input type="checkbox"/>	30RT-DR†		
<input type="checkbox"/>	BBLC45/48-42" Door Left	<input type="checkbox"/>	SC4	<input type="checkbox"/>	33RT-DR†		
<input type="checkbox"/>	BBLC45/48-42" Door Right	<input type="checkbox"/>	SC5	<input type="checkbox"/>	36RT-DR†		
<input type="checkbox"/>		<input type="checkbox"/>	SC6	<input type="checkbox"/>	Sink front mini sample (\$27 ea)		
<input type="checkbox"/>		<input type="checkbox"/>	SC8	<input type="checkbox"/>	Molding swatch (\$50 / set)		
<input type="checkbox"/>	LS3309	<input type="checkbox"/>	BM4-1/2-5/8-96	<input type="checkbox"/>	Logo Sample Bag (\$80 ea)		
<input type="checkbox"/>	LS3612	<input type="checkbox"/>	DOA (KM)	<input type="checkbox"/>	Repair Kit (\$10 ea)		
<input type="checkbox"/>	LS3612S (EZR3612)			<input type="checkbox"/>	Stain/Spray paint (\$20 ea)		
<input type="checkbox"/>	BDCF36			<input type="checkbox"/>	Soft Close Hinge (\$1.50 ea)		
<input type="checkbox"/>	BDCF36K-FL						
<input type="checkbox"/>	AB24						
<input type="checkbox"/>	EPW1230D						
<input type="checkbox"/>	EPW1236D						
<input type="checkbox"/>	EPW1242D						
<input type="checkbox"/>	EPB24D						

Soft Close Track only (ONLY for K-series)

Specifications on page 17

<input type="checkbox"/>	J20-9 (for B09)
<input type="checkbox"/>	J20-15 (for 15"D)
<input type="checkbox"/>	J20-18 (for 18"D)
<input type="checkbox"/>	J20-21 (for 21"D)
<input type="checkbox"/>	J20-24 (for 24"D)

** New incoming stock includes standard soft closing door hinges and soft close drawer glides. For an indeterminate transitional period, orders may include inventory with mixed specifications. Additional soft closing hinges and soft close drawer glides can be ordered separately upon request. **Assembled orders will have glides upgraded automatically** if necessary for uniformity.

†With Dovetail drawer box + Soft Close glide. Specify which cabinet for installation.

ORDER FORM (GOLD)

For orders: Orders@tsgcabinets.com
 For claims: Claims@tsgcabinets.com
 For billing: Billing@tsgcabinets.com
 For shipping: Shipping@tsgcabinets.com
 Fax Orders: (732)372-7669

Customer* _____

Ship To* _____

Date _____ PO# _____ Display Order

Pick up Delivery Arrange own shipping via CARRIER Arrange own shipping via GROUND Residential

Please check box to select style:

SHAKERTOWN (AK) **ICE WHITE SHAKER (AW)**
 K-WHITE (KW) NEW! **PEPPER SHAKER (AP)**

Standard Features on all styles:

- Dovetail drawer box
- Undermount full extension drawer glide
- Soft close drawer glide
- Soft close door hinge**
- Metal Shelf Clips

Assembled

K/D

QTY		QTY		QTY		QTY	
	W0930		W0942		W3012B		WDC2430
	W1230		W1242		W3012BGD (AW)		WDC2430GD ^{††}
	W1530		W1542		W3312B (AW)		WDC2430MGD ^{††} (KW)
	W1530GD ^{††}		W1542GD ^{††} (AP, AW)		W3612B		WDC2436
	W1530MGD ^{††} (KW)		W1542MGD ^{††} (KW)		W2415B		WDC2436GD ^{††}
	W1830		W1842		W3015B		WDC2436MGD ^{††} (KW)
	W1830GD ^{††}		W1842GD ^{††} (AP, AW)		W3315B		WDC2442
	W1830MGD ^{††} (KW)		W1842MGD ^{††} (KW)		W3615B		WDC2442GD ^{††}
	W2130		W2142		W2418B		WDC2442MGD ^{††} (KW)
	W2430B		W2442B		W3018B		WDC273615 (AP, AW, KW)
	W2430BGD(2pcs) (AW)		W2442BGD(2pcs) (AW)		W3318B		WDC273615GD ^{††} (AP, AW)
	W2430BMGD(2pcs) (KW)		W2442BMGD(2pcs) (KW)		W3618B		WDC273615MGD ^{††} (KW)
	W2730B		W2742B		W2424B		WDC274215 (AP, AW, KW)
	W3030B		W3042B		W3024B		WDC274215GD ^{††} (AP, AW)
	W3030BGD ^{††} (2pcs)		W3042BGD ^{††} (2pcs)(AP, AW)		W3324B		WDC274215MGD ^{††} (KW)
	W3030BMGD ^{††} (2pcs) (KW)		W3042BGD ^{††} (2pcs)(KW)		W3624B		AW30 (with door)
	W3330B		W3342B				AW36 (with door)
	W3630B		W3642B		W301524B		AW42 (with door)
	W3630BGD ^{††} (2pcs)		W3642BGD ^{††} (2pcs)(AP, AW)		W301824B (AP, AW, KW)		AWH36 (AP,AW)
					W302424B		
	W0936		WSQ2430 (AW,AP,KW)		W331524B (AP, AW, KW)		WP1584 (AP,AW,KW)
	W1236		WSQ2436 (AW,AP,KW)		W331824B (AP, AW, KW)		WP1590 (AP,AW,KW)
	W1536		WSQ2442 (AW,AP,KW)		W332424B (AP, AW, KW)		WP1596 (AP,AW,KW)
	W1536GD ^{††}		W2D1848 (AW)		W361224B		WP1884
	W1536MGD ^{††} (KW)		W2D1854 (AW)		W361524B		WP1890
	W1836		W2D1860 (AW)		W361824B		WP1896
	W1836GD ^{††}		Specify door Right or Left when		W362424B		WP2484B
	W1836GD ^{††} (KW)		ordering (not blind)				WP2490B
	W2136		WBLC30/33-3030L/R Door Right		W3018WR		WP2496B
	W2436B		WBLC30/33-3030L/R Door Left		MWO3018PM-12		OC3384B
	W2436GD(2pcs) (AW)		WBLC30/33-3036L/R Door Right		TCR21-2		OC3390B
	W2436BMGD(2pcs) (KW)		WBLC30/33-3036L/R Door Left		WC630-12 (AW, KW)		OC3396B
	W2736B		WBLC30/33-3042L/R Door Right		WC636-12 (AW, KW)		OM3384B (AW)
	W3036B		WBLC30/33-3042L/R Door Left		WC642-12 (AW, KW)		OM3390B (AW)
	W3036BGD ^{††} (2pcs)						OM3396B (AW)
	W3036BMGD ^{††} (2pcs) (KW)				WES530		
	W3336B				WES536		
	W3636B				WES542		
	W3636BGD ^{††} (2pcs)(AP,AW)						

*Required fields

††Glass doors sold separately

ORDER FORM (GOLD, CONT.)

For orders: Orders@tsgcabinets.com
 For claims: Claims@tsgcabinets.com
 For billing: Billing@tsgcabinets.com
 For shipping: Shipping@tsgcabinets.com
 Fax Orders: (732)372-7669



Forevermark
cabinetry™

Customer* _____ Date* _____
 Ship To* _____ PO# _____

Please check box to select style:

<input type="checkbox"/> SHAKERTOWN (AK)	<input type="checkbox"/> ICE WHITE SHAKER (AW)
<input type="checkbox"/> K-WHITE (KW) NEW	<input type="checkbox"/> PEPPER SHAKER (AP)

QTY	
<input type="checkbox"/>	FB09 (Full Height) (AW)
<input type="checkbox"/>	B09
<input type="checkbox"/>	BFP09(spice rack) (AP,AW)
<input type="checkbox"/>	B12
<input type="checkbox"/>	B15
<input type="checkbox"/>	B18
<input type="checkbox"/>	B21
<input type="checkbox"/>	B24B
<input type="checkbox"/>	B27B
<input type="checkbox"/>	B30B
<input type="checkbox"/>	B33B
<input type="checkbox"/>	B36B
<input type="checkbox"/>	SB24B
<input type="checkbox"/>	SB27B
<input type="checkbox"/>	SB30B
<input type="checkbox"/>	SB33B
<input type="checkbox"/>	SB36B
<input type="checkbox"/>	SB42B (AW)
<input type="checkbox"/>	FSB30B (KW,AW)
<input type="checkbox"/>	FSB33B (KW,AW)
<input type="checkbox"/>	FSB36B (KW, AP,AW)
<input type="checkbox"/>	DB12(3)
<input type="checkbox"/>	DB15(3)
<input type="checkbox"/>	DB18(3)
<input type="checkbox"/>	DB21(3)
<input type="checkbox"/>	DB24(3)
<input type="checkbox"/>	DB30(3)
<input type="checkbox"/>	DB36(3)
<input type="checkbox"/>	AB24
<input type="checkbox"/>	Specify door Right or Left when ordering (not blind)
<input type="checkbox"/>	BBLC39/42-36" Door Left
<input type="checkbox"/>	BBLC39/42-36" Door Right
<input type="checkbox"/>	BBLC42/45-39" Door Left
<input type="checkbox"/>	BBLC42/45-39" Door Right
<input type="checkbox"/>	BBLC45/48-42" Door Left
<input type="checkbox"/>	BBLC45/48-42" Door Right
<input type="checkbox"/>	LS3309
<input type="checkbox"/>	LS3612
<input type="checkbox"/>	LS3612S (EZR3612)
<input type="checkbox"/>	BDCF36
<input type="checkbox"/>	BDCF36K-FL
<input type="checkbox"/>	BTC12L (AP,AW,KW)
<input type="checkbox"/>	BTC12R (AP,AW,KW)
<input type="checkbox"/>	B30MW (AP,AW)

QTY	
<input type="checkbox"/>	A30WF (AP,AW,KW)
<input type="checkbox"/>	A36WF (AP,AW,KW)
<input type="checkbox"/>	A42WF (AP,AW,KW)
<input type="checkbox"/>	A3BF
<input type="checkbox"/>	A6BF (AP,AW,KW)
<input type="checkbox"/>	WF3-3/4
<input type="checkbox"/>	WF336-3/4
<input type="checkbox"/>	WF342-3/4
<input type="checkbox"/>	WF384-3/4
<input type="checkbox"/>	WF396-3/4
<input type="checkbox"/>	WF6-3/4
<input type="checkbox"/>	WF642-3/4
<input type="checkbox"/>	WF696-3/4
<input type="checkbox"/>	BF3-3/4
<input type="checkbox"/>	BF6-3/4
<input type="checkbox"/>	CLB334-1/2 (AW,KW)
<input type="checkbox"/>	CLW330 (AW,KW)
<input type="checkbox"/>	CLW336 (AW,KW)
<input type="checkbox"/>	CLW342(AW,KW)
<input type="checkbox"/>	CLW396 (AW,KW)
<input type="checkbox"/>	OLF330 (AW,KW)
<input type="checkbox"/>	OLF336(AW,KW)
<input type="checkbox"/>	OLF342 (AW,KW)
<input type="checkbox"/>	OLF384 (AW,KW)
<input type="checkbox"/>	OLF390 (AW,KW)
<input type="checkbox"/>	OLF396 (AW,KW)
<input type="checkbox"/>	OLF630 (AW,KW)
<input type="checkbox"/>	OLF636 (AW,KW)
<input type="checkbox"/>	OLF642 (AW,KW)
<input type="checkbox"/>	POLE75-B3 (AW,KW)
<input type="checkbox"/>	POLE75-W330 (AW,KW)
<input type="checkbox"/>	POLE75-W336 (AW,KW)
<input type="checkbox"/>	POLE75-W342 (AW,KW)
<input type="checkbox"/>	POLE75-T384 (AW,KW)
<input type="checkbox"/>	POLE75-T390 (AW,KW)
<input type="checkbox"/>	POLE75-T396 (AW,KW)
<input type="checkbox"/>	TP3/WF34-1/2
<input type="checkbox"/>	Leg 75 (AW,KW)
<input type="checkbox"/>	Leg 81 (AP,AW)
<input type="checkbox"/>	Leg 82 (AP,AW)

QTY	
<input type="checkbox"/>	SC1-3
<input type="checkbox"/>	SC4
<input type="checkbox"/>	SC5
<input type="checkbox"/>	SC6 (KW,AW)
<input type="checkbox"/>	SC8 (KW,AW)
<input type="checkbox"/>	BM4-1/2-5/8-96
<input type="checkbox"/>	DOA (AP,AW,KW)
<input type="checkbox"/>	LRM8
<input type="checkbox"/>	TLRM8 (2-1/2")
<input type="checkbox"/>	TK8
<input type="checkbox"/>	CM96
<input type="checkbox"/>	CM96-4
<input type="checkbox"/>	CM96E-4
<input type="checkbox"/>	CM96H-4 (AP,AW,KW)
<input type="checkbox"/>	CM96K-4 (AP,AW,KW)
<input type="checkbox"/>	Corbel 54 (AK)
<input type="checkbox"/>	Corbel 56 (KW)
<input type="checkbox"/>	Corbel 57 (KW)
<input type="checkbox"/>	Corbel 58 (AP)
<input type="checkbox"/>	Corbel 59
<input type="checkbox"/>	Corbel 75S (AW,KW)
<input type="checkbox"/>	Corbel 75M (AW,KW)
<input type="checkbox"/>	Corbel 75L (AW,KW)
<input type="checkbox"/>	EPB24D
<input type="checkbox"/>	EPW1230D
<input type="checkbox"/>	EPW1236D
<input type="checkbox"/>	EPW1242D
<input type="checkbox"/>	EPWP2484D (AP,AW)
<input type="checkbox"/>	EPWP2490D (AP,AW)
<input type="checkbox"/>	EPWP2496D (AP,AW)
<input type="checkbox"/>	VAS48
<input type="checkbox"/>	VAL48S (AK,AP,AW)
<input type="checkbox"/>	VAL54S (AK,AP,AW)
<input type="checkbox"/>	VAD3612
<input type="checkbox"/>	VAD4212
<input type="checkbox"/>	VAD4812
<input type="checkbox"/>	DWR33412
<input type="checkbox"/>	FBP483614(1) (AP,AW,KW)
<input type="checkbox"/>	FBP369614(1) (AP,AW,KW)
<input type="checkbox"/>	FBP489614(1)
<input type="checkbox"/>	BP48341214
<input type="checkbox"/>	REP2484-3/4
<input type="checkbox"/>	REP2496-3/4
<input type="checkbox"/>	REP2484(3)-3/4
<input type="checkbox"/>	REP2496(3)-3/4
<input type="checkbox"/>	REP3096(3)-3/4

QTY	
<input type="checkbox"/>	15RT-DR†
<input type="checkbox"/>	18RT-DR†
<input type="checkbox"/>	24RT-DR†
<input type="checkbox"/>	27RT-DR†
<input type="checkbox"/>	30RT-DR†
<input type="checkbox"/>	33RT-DR†
<input type="checkbox"/>	36RT-DR†
<input type="checkbox"/>	S2421B-34-1/2"
<input type="checkbox"/>	S3021B-34-1/2"
<input type="checkbox"/>	S3021DL-34-1/2"
<input type="checkbox"/>	S3021DR-34-1/2"
<input type="checkbox"/>	S3621B-34-1/2"
<input type="checkbox"/>	S3621BDL-34-1/2"
<input type="checkbox"/>	S3621BDR-34-1/2"
<input type="checkbox"/>	S4821B12D-34-1/2"
<input type="checkbox"/>	SVB1221-34-1/2"
<input type="checkbox"/>	SVB1521-34-1/2"
<input type="checkbox"/>	SVDU3021-7"

Soft Close Track only, (Fits all lines except K-series)

Specifications on page 17

<input type="checkbox"/>	S50-9 (for B09)
<input type="checkbox"/>	S50-15 (for 15"D)
<input type="checkbox"/>	S50-18 (for 18"D)
<input type="checkbox"/>	S50-21 (for 21"D)
<input type="checkbox"/>	S50-24 (for 24"D)
<input type="checkbox"/>	Sink front mini sample(\$27)
<input type="checkbox"/>	Molding swatch (\$50/ set)
<input type="checkbox"/>	Logo Sample Bag (\$80 ea)
<input type="checkbox"/>	Repair Kit (\$10 ea)
<input type="checkbox"/>	Stain/Spray paint (\$20 ea)
<input type="checkbox"/>	Soft Close Hinge (\$1.50 ea)

†With Dovetail drawer box + Soft Close glide. Specify which cabinet for installation.

ORDER FORM (PLATINUM)

For orders: Orders@tsgcabinets.com
 For claims: Claims@tsgcabinets.com
 For billing: Billing@tsgcabinets.com
 For shipping: Shipping@tsgcabinets.com
 Fax Orders: (732)372-7669

Customer* _____

Ship To* _____

Date _____ PO# _____ Display Order

Pick up Delivery Arrange own shipping via CARRIER Arrange own shipping via GROUND Residential

Please check box to select style:

<input type="checkbox"/> SIGNATURE BROWNSTONE (SB)	<input type="checkbox"/> SIGNATURE PEARL (SL)	<input type="checkbox"/> GRAMERCY WHITE (GW)	<input type="checkbox"/> GREYSTONE SHAKER (AG)
<input type="checkbox"/> SIENNA ROPE (MR)	<input type="checkbox"/> UPTOWN WHITE (TW)	<input type="checkbox"/> TOWNSQUARE GREY (TS) NEW!	
Standard Features:			
• Undermount full extension drawer glide		• Soft close drawer glide	
• Dovetail drawer box		• Soft close door hinge**	
• Metal Shelf Clips			
<input type="checkbox"/> Assembled		<input type="checkbox"/> K/D	

QTY		QTY		QTY		QTY	
	W0930		W0942		W2424B		W2D1848(SL,GW,TW,AG)
	W1230		W1242		W3024B		W2D1854(SL,GW,TW,AG)
	W1530		W1542		W3324B		W2D1860(SL,GW,TW,AG)
	W1530GD ^{††} (TW,TS,AG)		W1542GD ^{††} (TW,TS,AG)		W3624B		WSQ2430 (SB,SL,GW,TW,AG)
	W1530MGD ^{††} (EXCLUDING AG)		W1542MGD ^{††} (EXCLUDING AG)		W301524B		WSQ2436 (SB,SL,GW,TW,AG)
	W1830		W1842		W301824B (SB,SL,GW,TW,AG)		WSQ2442 (SB,SL,GW,TW,AG)
	W1830GD ^{††} (TW,TS,AG,AN,TG)		W1842GD ^{††} (TW,TS,AG)		W302424B		
	W1830MGD ^{††} (EXCLUDING AG)		W1842MGD ^{††} (EXCLUDING AG)		W331524B		WP1584 (SL,GW,TW,AG)
	W2130		W2142		W331824B (Excluding MR)		WP1590 (SL,GW,TW,AG)
	W2430B		W2442B		W332424B (SL,GW,TW,AG)		WP1596 (SL,GW,TW,AG)
	W2430BGD(2pcs) (AG)		W2442BGD(2pcs) (AG)		W361224B		WP1884
	W2430BMGD(2pcs) (GW,TW,TS,SL)		W2442BMGD(2pcs) (GW,TW,TS,SL)		W361524B		WP1890
	W2730B		W2742B		W361824B		WP1896
	W3030B		W3042B		W362424B		WP2484B
	W3030BGD ^{††} (2p) (TW,TS,AG)		W3042BGD ^{††} (2p)(TW,TS,AG)		WDC2430		WP2490B
	W3030BMGD ^{††} (2p) (EXCLUDING AG)		W3042BMGD ^{††} (2p)(EXCLUDING AG)		WDC2430GD ^{††} (TW,TS,AG)		WP2496B
	W3330B		W3342B		WDC2430MGD ^{††} (EXCLUDING AG)		OC3384B
	W3630B		W3642B		WDC2436		OC3390B
	W3630BGD ^{††} (2p) (TW,TS,AG)		W3642BGD ^{††} (2p) (TW,TS,AG)		WDC2436GD ^{††} (TW,TS,AG)		OC3396B
	W3630BMGD ^{††} (2p) (MR,SB,SL,GW,TS)		W3642BMGD ^{††} (2p) (EXCLUDING AG)		WDC2436MGD ^{††} (EXCLUDING AG)		OM3384B (SL,GW,TW,AG)
	W0936		W3012B		WDC2442		OM3390B (SL,GW,TW,AG)
	W1236		W3012BGD (TW,TS,AG)		WDC2442GD ^{††} (TW,TS,AG)		OM3396B (SL,GW,TW,AG)
	W1536		W3312B (SL,GW,TW,AG)		WDC2442MGD ^{††} (EXCLUDING AG)		
	W1536GD ^{††} (TW,TS,AG)		W3612B		WDC273615		WES530
	W1536MGD ^{††} (EXCLUDING AG)		W2415B		WDC273615GD ^{††} (TW,TS,AG,AN,TG)		WES536
	W1836		W3015B		WDC273615MGD ^{††} (EXCLUDING AG)		WES542
	W1836GD ^{††} (TW,TS,AG)		W3315B		WDC274215		AW30 (with door)
	W1836MGD ^{††} (EXCLUDING AG)		W3615B		WDC274215GD ^{††} (TW,TS,AG)		AW36 (with door)
	W2136		W2418B		WDC274215MGD ^{††} (EXCLUDING AG)		AW42 (with door)
	W2436B		W3018B		AWH36 (SB,SL,GW,TW,AG)		
	W2436GD(2pcs) (AG)		W3318B		CWH36 (SB,SL,GW,TW,AG)		
	W2436BMGD(2pcs) (GW,TW,TS,SL)		W3618B				Mini sample (\$27 ea)
	W2736B						Molding swatch (\$50 / set)
	W3036B		Specify door Right or Left when ordering (not blind)				Logo Sample Bag (\$80 ea)
	W3036BGD ^{††} (2p) (TW,TS,AG)						Repair Kit (\$10 ea/ \$20 SL)
	W3036BMGD ^{††} (2p)(EXCLUDING AG)		WBLC30/33-3030L/R Door Right				Stain/Spray paint (\$20 ea)
	W3336B		WBLC30/33-3030L/R Door Left				Soft Close Hinge (\$1.50 ea)
	W3636B		WBLC30/33-3036L/R Door Right				
	W3636BGD ^{††} (2p) (TW,TS,AG)		WBLC30/33-3036L/R Door Left				
	W3636BMGD ^{††} (2p) (MR,SB,SL,GW,TS)		WBLC30/33-3042L/R Door Right				
			WBLC30/33-3042L/R Door Left				

*Required fields ††Glass doors sold separately

ORDER FORM (PLATINUM, CONT.)

For orders:
For claims:
For billing:
For shipping:
Fax Orders:

Orders@tsgcabinets.com
Claims@tsgcabinets.com
Billing@tsgcabinets.com
Shipping@tsgcabinets.com
(732)372-7669



Customer* _____ Date _____

Please check box to select style: Ship To* _____ PO# _____

<input type="checkbox"/> SIGNATURE BROWNSTONE (SB)	<input type="checkbox"/> SIGNATURE PEARL (SL)	<input type="checkbox"/> GRAMERCY WHITE (GW)	<input type="checkbox"/> GREYSTONE SHAKER (AG)
<input type="checkbox"/> SIENNA ROPE (MR)	<input type="checkbox"/> UPTOWN WHITE (TW)	<input type="checkbox"/> TOWNSQUARE GREY (TS) NEW!	

QTY		QTY		QTY		QTY	
<input type="checkbox"/>	FB09 (GW,TW,TS,AG,SL)	<input type="checkbox"/>	A30WF	<input type="checkbox"/>	TP3/WF34-1/2	<input type="checkbox"/>	15RT-DR†
<input type="checkbox"/>	B09	<input type="checkbox"/>	A36WF	<input type="checkbox"/>	Leg 28 (SL)	<input type="checkbox"/>	18RT-DR†
<input type="checkbox"/>	BFP09 (spice rack)	<input type="checkbox"/>	A42WF	<input type="checkbox"/>	Leg 75 (GW, TW, TS, AG)	<input type="checkbox"/>	24RT-DR†
<input type="checkbox"/>	B12	<input type="checkbox"/>	A3BF	<input type="checkbox"/>	Leg 81	<input type="checkbox"/>	27RT-DR†
<input type="checkbox"/>	B15	<input type="checkbox"/>	A6BF	<input type="checkbox"/>	Leg 82 (MR)	<input type="checkbox"/>	30RT-DR†
<input type="checkbox"/>	B18	<input type="checkbox"/>	WF3-3/4	<input type="checkbox"/>	Leg 83 (SB,SL,GW,TW)	<input type="checkbox"/>	33RT-DR†
<input type="checkbox"/>	B21	<input type="checkbox"/>	WF336-3/4	<input type="checkbox"/>	Leg-small 51 (MR)	<input type="checkbox"/>	36RT-DR†
<input type="checkbox"/>	B24B	<input type="checkbox"/>	WF342-3/4	<input type="checkbox"/>	Leg-small 52 (MR)	<input type="checkbox"/>	VAS48 (MR,SB,SL)
<input type="checkbox"/>	B27B	<input type="checkbox"/>	WF384-3/4	<input type="checkbox"/>	SC1-3	<input type="checkbox"/>	VAL48B (SB,SL,GW,TW)
<input type="checkbox"/>	B30B	<input type="checkbox"/>	WF396-3/4	<input type="checkbox"/>	SC4	<input type="checkbox"/>	VAL54B (SB,SL,GW,TW)
<input type="checkbox"/>	B33B	<input type="checkbox"/>	WF6-3/4	<input type="checkbox"/>	SC5	<input type="checkbox"/>	VAL48S (TS,AG)
<input type="checkbox"/>	B36B	<input type="checkbox"/>	WF642-3/4	<input type="checkbox"/>	SC6 (SL,GW,TW,TS,AG)	<input type="checkbox"/>	VAL54S (TS,AG)
<input type="checkbox"/>	SB24B (MR,SL,GW,TW,TS,AG)	<input type="checkbox"/>	WF696-3/4	<input type="checkbox"/>	SC8 (SL,GW,TW,TS,AG)	<input type="checkbox"/>	VAD3612 (Excluding TW,TS)
<input type="checkbox"/>	SB27B	<input type="checkbox"/>	CFC96 (SB,SL)	<input type="checkbox"/>	BM4-1/2-5/8-96	<input type="checkbox"/>	VAD4212 (Excluding TW,TS)
<input type="checkbox"/>	SB30B	<input type="checkbox"/>	BF3-3/4	<input type="checkbox"/>	DOA	<input type="checkbox"/>	VAD4812 (Excluding TW,TS)
<input type="checkbox"/>	SB30B-ND-SP (SL,GW,TW)	<input type="checkbox"/>	BF6-3/4	<input type="checkbox"/>	LRM8	<input type="checkbox"/>	DWR33412
<input type="checkbox"/>	SB33B	<input type="checkbox"/>	CLB334-1/2 (SL,GW,TW,TS,AG)	<input type="checkbox"/>	TLRM8 (2-1/2")	<input type="checkbox"/>	FBP483614(1)
<input type="checkbox"/>	SB33B-ND-SP (SL,GW,TW)	<input type="checkbox"/>	CLW330 (SL,GW,TW,TS,AG)	<input type="checkbox"/>	TK8	<input type="checkbox"/>	FBP369614(1)
<input type="checkbox"/>	SB36B	<input type="checkbox"/>	CLW336 (SL,GW,TW,TS,AG)	<input type="checkbox"/>	CM96	<input type="checkbox"/>	FBP489614(1)
<input type="checkbox"/>	SB36B-ND-SP (SL,GW,TW)	<input type="checkbox"/>	CLW342 (SL,GW,TW,TS,AG)	<input type="checkbox"/>	CM96-4 (Excluding AG)	<input type="checkbox"/>	BP48341214
<input type="checkbox"/>	SB42 (SL,GW,TW,AG)	<input type="checkbox"/>	CLW396 (SL,GW,TW,TS,AG)	<input type="checkbox"/>	CM96B-4 (SL)	<input type="checkbox"/>	REP2484-3/4
<input type="checkbox"/>	FSB30B (SL,GW,TW,TS,AG)	<input type="checkbox"/>	OLF330 (SL,GW,TW,TS,AG)	<input type="checkbox"/>	CM96C-4 (Excluding AG,SB)	<input type="checkbox"/>	REP2496-3/4
<input type="checkbox"/>	FSB33B (SL,GW,TW,TS,AG)	<input type="checkbox"/>	OLF336 (SL,GW,TW,TS,AG)	<input type="checkbox"/>	CM96H-4 (GW,TW,TS,AG)	<input type="checkbox"/>	REP2484(3)-3/4
<input type="checkbox"/>	FSB36B (SL,GW,TW,TS,AG)	<input type="checkbox"/>	OLF342 (SL,GW,TW,TS,AG)	<input type="checkbox"/>	CM96K-4 (GW,TW,TS,AG)	<input type="checkbox"/>	REP2496(3)-3/4
<input type="checkbox"/>	DB12(3)	<input type="checkbox"/>	OLF384 (SL,GW,TW,TS,AG)	<input type="checkbox"/>	Corbel 54 (MR)	<input type="checkbox"/>	REP3096(3)-3/4
<input type="checkbox"/>	DB15(3)	<input type="checkbox"/>	OLF390 (SL,GW,TW,TS,AG)	<input type="checkbox"/>	Corbel 55 (MR)	<input type="checkbox"/>	S2421B-34-1/2"
<input type="checkbox"/>	DB18(3)	<input type="checkbox"/>	OLF396 (SL,GW,TW,TS,AG)	<input type="checkbox"/>	Corbel 56	<input type="checkbox"/>	S3021B-34-1/2"
<input type="checkbox"/>	DB21(3)	<input type="checkbox"/>	OLF630 (SL,GW,TW,TS,AG)	<input type="checkbox"/>	Corbel 57	<input type="checkbox"/>	S3621B-34-1/2"
<input type="checkbox"/>	DB24(3)	<input type="checkbox"/>	OLF636 (SL,GW,TW,TS,AG)	<input type="checkbox"/>	Corbel 58 (MR)	<input type="checkbox"/>	S3021DL-34-1/2"
<input type="checkbox"/>	DB30(3)	<input type="checkbox"/>	OLF642 (SL,GW,TW,TS,AG)	<input type="checkbox"/>	Corbel 59 (Excluding SB,SL)	<input type="checkbox"/>	S3021DR-34-1/2"
<input type="checkbox"/>	DB36(3)	<input type="checkbox"/>	POLE28-B3 (SL)	<input type="checkbox"/>	Corbel 60S	<input type="checkbox"/>	S3621BDL-34-1/2"
<input type="checkbox"/>	AB24	<input type="checkbox"/>	POLE28-W330 (SL)	<input type="checkbox"/>	Corbel 60L (MR, SB, SL)	<input type="checkbox"/>	S3621BDR-34-1/2"
<input type="checkbox"/>	Specify door Right or Left when ordering (not blind)	<input type="checkbox"/>	POLE28-W342 (SL)	<input type="checkbox"/>	Corbel 75S (GW,TW,TS,AG)	<input type="checkbox"/>	S4821B12D-34-1/2"
<input type="checkbox"/>	BBLC39/42-36" Door Left	<input type="checkbox"/>	POLE28-T384 (SL)	<input type="checkbox"/>	Corbel 75M (GW,TW,TS,AG)	<input type="checkbox"/>	SVB1221-34-1/2"
<input type="checkbox"/>	BBLC39/42-36" Door Right	<input type="checkbox"/>	POLE28-T390 (SL)	<input type="checkbox"/>	Corbel 75L (GW,TW,TS,AG)	<input type="checkbox"/>	SVB1521-34-1/2"
<input type="checkbox"/>	BBLC42/45-39" Door Left	<input type="checkbox"/>	POLE28-T396 (SL)	<input type="checkbox"/>	EPB24D	<input type="checkbox"/>	SVDU3021-7"TS (SB,SL,GW,TW,TS,AG)
<input type="checkbox"/>	BBLC42/45-39" Door Right	<input type="checkbox"/>	POLE75-B3 (GW,TW,AG)	<input type="checkbox"/>	EPW1230D		
<input type="checkbox"/>	BBLC45/48-42" Door Left	<input type="checkbox"/>	POLE75-W330 (GW,TW,TS,AG)	<input type="checkbox"/>	EPW1236D		
<input type="checkbox"/>	BBLC45/48-42" Door Right	<input type="checkbox"/>	POLE75-W336 (GW,TW,TS,AG)	<input type="checkbox"/>	EPW1242D		
<input type="checkbox"/>		<input type="checkbox"/>	POLE75-W342 (GW,TW,TS,AG)	<input type="checkbox"/>	EPWP2484D		
<input type="checkbox"/>	LS3309	<input type="checkbox"/>	POLE75-T384 (GW,TW,TS,AG)	<input type="checkbox"/>	EPWP2490D		
<input type="checkbox"/>	LS3612	<input type="checkbox"/>	POLE75-T390 (GW,TW,TS,AG)	<input type="checkbox"/>	EPWP2496D		
<input type="checkbox"/>	LS3612S (EZR3612)	<input type="checkbox"/>	POLE75-T396 (GW,TW,TS,AG)				
<input type="checkbox"/>	BDCF36						
<input type="checkbox"/>	BDCF36K-FL						
<input type="checkbox"/>	BTC12 L (SB,SL,GW,TW,TS,AG)						
<input type="checkbox"/>	BTC12 R (SB,SL,GW,TW,TS,AG)						
<input type="checkbox"/>	B30MW (SB,SL,GW,TW,TS,AG)						

Soft Close Track only, (Fits all lines except K-series)

Specifications on page 17

<input type="checkbox"/>	S50-9 (for B09)
<input type="checkbox"/>	S50-15 (for 15"D)
<input type="checkbox"/>	S50-18 (for 18"D)
<input type="checkbox"/>	S50-21 (for 21"D)
<input type="checkbox"/>	S50-24 (for 24"D)

†With Dovetail drawer box + Soft Close glide. Specify which cabinet for installation.

ORDER FORM (TITANIUM)

For orders: Orders@tsgcabinets.com
 For claims: Claims@tsgcabinets.com
 For billing: Billing@tsgcabinets.com
 For shipping: Shipping@tsgcabinets.com
 Fax Orders: (732)372-7669

Customer* _____
 Ship To* _____
 Date _____ PO# _____ Display Order

Pick up Delivery Arrange own shipping via CARRIER Arrange own shipping via GROUND Residential

Please check box to select style:

NOVA LIGHT GREY (AN) NEW MIDTOWN GREY (TG) NEW

Standard Features on all styles: • Undermount full extension drawer glide • Dovetail drawer box • Soft close drawer glide
 • Soft close door hinge** • Base cabinets* 1/2" FULL back panel • Metal Shelf Clips

Assembled K/D

QTY		QTY		QTY		QTY	
	W0930		W0942		W2424B		W2D1848
	W1230		W1242		W3024B		W2D1854
	W1530		W1542		W3324B		W2D1860
	W1530GD ^{††}		W1542GD ^{††}		W3624B		WSQ2430
	W1530MGD^{††}		W1542MGD^{††}		W301524B		WSQ2436
	W1830		W1842		W301824B		WSQ2442
	W1830GD ^{††}		W1842GD ^{††}		W302424B		
	W1830MGD^{††}		W1842MGD^{††}		W331524B		WP1584
	W2130		W2142		W331824B		WP1590
	W2430B		W2442B		W332424B		WP1596
	W2430BGD(2pcs) (AN)		W2442BGD(2pcs) (AN)		W361224B		WP1884
	W2430BMGD(2pcs) (TG)		W2442BMGD(2pcs) (TG)		W361524B		WP1890
	W2730B		W2742B		W361824B		WP1896
	W3030B		W3042B		W362424B		WP2484B
	W3030BGD ^{††} (2pcs)		W3042BGD ^{††} (2pcs)		WDC2430		WP2490B
	W3030BMGD ^{††} (2pcs)		W3042BMGD ^{††} (2pcs)		WDC2430GD ^{††}		WP2496B
	W3330B		W3342B		WDC2430MGD^{††}		OC3384B
	W3630B		W3642B		WDC2436		OC3390B
	W3630BGD ^{††} (2pcs)		W3642BGD ^{††} (2pcs)		WDC2436GD ^{††}		OC3396B
	W3630BMGD^{††}(2pcs)		W3642BMGD^{††}(2pcs)		WDC2436MGD^{††}		OM3384B
	W0936		W3012B		WDC2442		OM3390B
	W1236		W3012BGD^{††}(2pcs) (AN)		WDC2442GD ^{††}		OM3396B
	W1536		W3312B		WDC2442MGD^{††}		
	W1536GD ^{††}		W3612B		WDC273615		WES530
	W1536MGD^{††}		W2415B		WDC273615GD^{††}		WES536
	W1836		W3015B		WDC273615MGD^{††}		WES542
	W1836GD ^{††}		W3315B		WDC274215		AW30 (with door)
	W1836MGD^{††}		W3615B		WDC274215GD^{††}		AW36 (with door)
	W2136		W2418B		WDC274215MGD^{††}		AW42 (with door)
	W2436B		W3018B				Specify door Right or Left when ordering (not blind)
	W2436GD(2pcs) (AN)		W3318B		<input type="checkbox"/> AWH36		<input type="checkbox"/> WBLC30/33-3030L/R Door Right
	W2436BMGD(2pcs) (TG)		W3618B		<input type="checkbox"/> CWH36		<input type="checkbox"/> WBLC30/33-3030L/R Door Left
	W2736B				<input type="checkbox"/> W3018WR		<input type="checkbox"/> WBLC30/33-3036L/R Door Right
	W3036B		<input type="checkbox"/> Mini sample (\$27 ea)		<input type="checkbox"/> MWO3018PM-12"		<input type="checkbox"/> WBLC30/33-3036L/R Door Left
	W3036BGD ^{††} (2pcs)		<input type="checkbox"/> Molding swatch (\$50 / set)		<input type="checkbox"/> TCR21-2		<input type="checkbox"/> WBLC30/33-3042L/R Door Right
	W3036BMGD ^{††} (2pcs)		<input type="checkbox"/> Logo Sample Bag (\$80 ea)		<input type="checkbox"/> WC630-12		<input type="checkbox"/> WBLC30/33-3042L/R Door Left
	W3336B		<input type="checkbox"/> Repair Kit (\$10 ea)		<input type="checkbox"/> WC636-12		
	W3636B		<input type="checkbox"/> Stain/Spray paint (\$20 ea)		<input type="checkbox"/> WC642-12		
	W3636BGD ^{††} (2pcs)		<input type="checkbox"/> Soft Close Hinge (\$1.50 ea)				
	W3636BMGD^{††}(2pcs)						

*Required fields ††Glass doors sold separately

ORDER FORM (TITANIUM, CONT.)

For orders:
For claims:
For billing:
For shipping:
Fax Orders:

Orders@tsgcabinets.com
Claims@tsgcabinets.com
Billing@tsgcabinets.com
Shipping@tsgcabinets.com
(732)372-7669



Customer* _____ Date _____

Please check box to select style: Ship To* _____ PO# _____

NOVA LIGHT GREY (AN) NEW

MIDTOWN GREY (TG) NEW

- Standard Features on all styles:**
- Undermount full extension
 - Soft close drawer glide
 - Dovetail drawer box
 - Soft close door hinge**
 - Metal Shelf Clips

Assembled

K/D

QTY		QTY		QTY		QTY	
	FB09 (Full Height)		WF3-3/4		Leg 75		15RT-DR†
	B09		WF336-3/4		SC1-3		18RT-DR†
	BFP09 (spice rack)		WF342-3/4		SC4		24RT-DR†
	B12		WF384-3/4		SC5		27RT-DR†
	B15		WF396-3/4		SC6		30RT-DR†
	B18		WF6-3/4		SC8		33RT-DR†
	B21		WF642-3/4		BM4-1/2-5/8-96		36RT-DR†
	B24B		WF696-3/4		LRM8		
	B27B		BF3-3/4		TLRM8 (2-1/2")		VAL48S (AN)
	B30B		BF6-3/4		TK8		VAL54S (AN)
	B33B						VAL48B (TG)
	B36B		CLB334-1/2		CM96		VAL54B (TG)
	SB24B		CLW330		CM96H-4		
	SB27B		CLW336		CM96K-4		DWR33412
	SB30B		CLW342				FBP483614(1)
	SB33B		CLW396		Corbel 59		FBP369614(1)
	SB36B				Corbel 75S		FBP489614(1)
	SB42		OLF330		Corbel 75M		BP48341214
	FSB30B		OLF336		Corbel 75L		REP2484-3/4
	FSB33B		OLF342				REP2496-3/4
	FSB36B		OLF384		EPB24D		REP2484(3)-3/4
	DB12(3)		OLF390		EPW1230D		REP2496(3)-3/4
	DB15(3)		OLF396		EPW1236D		REP3096(3)-3/4
	DB18(3)		OLF630		EPW1242D		
	DB21(3)		OLF636		EPWP2484D		S2421B-34-1/2"
	DB24(3)		OLF642		EPWP2490D		S3021B-34-1/2"
	DB30(3)				EPWP2496D		S3621B-34-1/2"
	DB36(3)		POLE75-B3				S3021DL-34-1/2"
	AB24		POLE75-W330		LS3309		S3021DR-34-1/2"
	Specify door Right or Left when ordering (not blind)		POLE75-W336		LS3612		S3621BDL-34-1/2"
	BBLC39/42-36" Door Left		POLE75-W342		LS3612S (EZR3612)		S3621BDR-34-1/2"
	BBLC39/42-36" Door Right		POLE75-T384		BDCF36		S4821B12D-34-1/2"
	BBLC42/45-39" Door Left		POLE75-T390		BDCF36K-FL		SVB1221-34-1/2"
	BBLC42/45-39" Door Right		POLE75-T396				SVB1521-34-1/2"
	BBLC45/48-42" Door Left				BTC12 L		SVDU3021-7"
	BBLC45/48-42" Door Right				BTC12 R		
					B30MW		

Soft Close Track only, (Fits all lines except K-series)

Specifications on page 17

- S50-9 (for B09)
- S50-15 (for 15"D)
- S50-18 (for 18"D)
- S50-21 (for 21"D)
- S50-24 (for 24"D)

†With Dovetail drawer box + Soft Close glide. Specify which cabinet for installation.

RETURN/REPLACEMENT FORM

EMAIL: CLAIMS@TSGCABINETS.COM

FAX (732) 372-7669

Please fill out this form in full. All fields are required and will not be processed unless this form is filled out in its entirety. Fax form to (732) 372-7669 or email to claims@tsgcabinets.com.

RETURN

REPLACEMENT

Company Name _____ Date _____

Phone Number _____ Email Address _____

Forevermark Cabinetry Invoice# (required) _____ Date of Shipment _____

If available, please provide PO# on cabinet box (K/D only) _____

Item(s)/Part(s) for return/replacement. Please specify SKU(s) and part (door, drawer header, glides, etc)

REASON FOR RETURN (required)

Wrong item or quantity ordered

Other (Please specify) _____

REASON FOR REPLACEMENT (required)

Ship replacement to _____

Return only

Please note that returns are only accepted K/D, in good condition, and in original packaging. Assembled cabinets are not accepted for return. Returns are accepted up to 60 days after shipment date. All returns are subject to inspection and a 25% restocking fee. Returns are accepted for credit only to dealer account. Dealer is responsible for return freight. Credit must be used within 6 months of issue. Damaged goods or items can be returned in accordance with our normal return policies (customers are responsible for return freight and restocking fees if applicable).

Replacement only

Please note that items damaged due to shipping and/or incorrect items can only be claimed up to 7 days after delivery date. Missing items must be noted upon delivery on driver's delivery slip(s). This includes and is not limited to shipping damages, dents, or scratches. Replacements will not be issued for any damaged items that are altered or installed (i.e. handles) unless it is an issue under factory warranty. TSG/Forevermark Cabinetry reserves the right to replace solely the damaged part on both RTA or assembled cabinets, not the cabinet in its entirety. Replacement items ship via LTL or ground carrier. Expedited replacement items or shipping arrangements cannot be accommodated. All damaged items must be submitted at one time. Otherwise, additional charges may occur. Some replacement parts are subject to availability, and may differ from those originally supplied. Please see warranty and dealer catalogue for more information.

Please send photographs of item(s) claimed for replacement to claims@tsgcabinets.com. Photographs must provide evidence of reason for replacement. If photographs are not received within 30 days of claim, TSG/Forevermark Cabinetry reserves the right to charge dealer for replacement items unless arrangements are made to return claimed items.

I, the undersigned, hereby declare the above information to be true and correct to the best of my knowledge.

Form Prepared By (Print Name) _____ Title _____

Signature _____

NOTES

For orders: Orders@tsgcabinets.com
For claims: Claims@tsgcabinets.com
For billing: Billing@tsgcabinets.com
For shipping: Shipping@tsgcabinets.com
Fax Orders: (732)372-7669



Customer* _____

Ship To* _____

Date _____ PO# _____ Display Order



The Shekia Group, llc

1130 King Georges Post Road
Edison, NJ 08837

T (732) 372-7668

F (732) 372-7669

www.tsgcabinets.com